

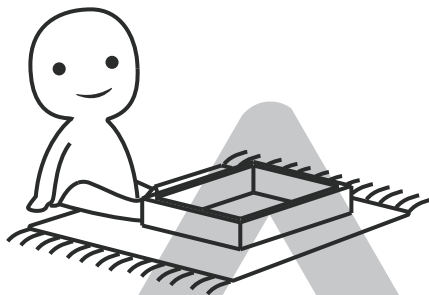
INSTALLATION

Product Manual



IMPORTANT INFORMATION!

please read the entire manual before starting to assemble and/or using this product. follow the manual thoroughly and keep it for further reference.



AVOID SCRATCHES!

In order to avoid scratching this furniture should be assembled on a soft layer- could be a rug.



IMPROVE EFFICIENCY !

Try to find a partner to install with you, which can speed up the installation efficiency and shorten the time.



ANTI-TOPPLE WARNING !

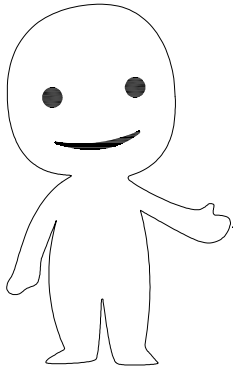
Overturnd furniture can cause serious or fatal crush injuries. To prevent tipping over, be sure to use the wall attachment, if not included with this product. Please purchase the wall attachment that fit your wall. If unsure, seek professional advice. Please read and follow each step of the instructions carefully.

IMPORTANT !

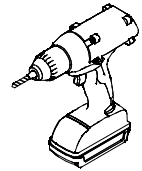
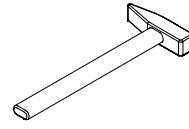
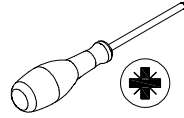
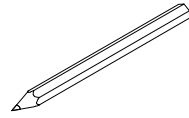
It is important that any product which is assembled using any kind of screw is re-tightened 2 weeks after assembly, and once every 3 months - in order to assure stability through-out the lifespan of the product.

For regular maintenance and cleaning of the product, for the frame, please use a rag dipped in neutral detergent to fully wipe it, and then dry it with a clean rag. For glass materials, wipe with a rag dampened with water glass cleaner, and then dry with a dry rag.

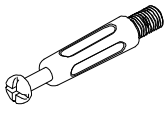
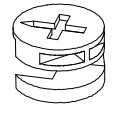
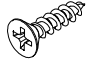
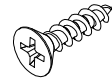
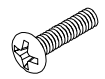

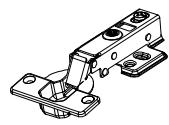
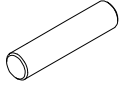
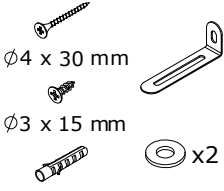
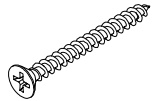
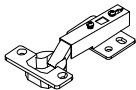
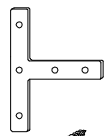
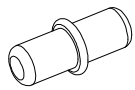
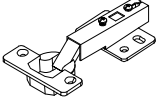
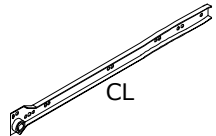
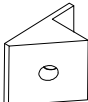
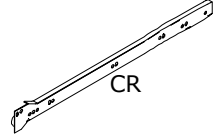
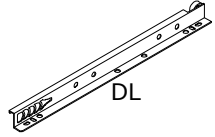
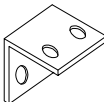
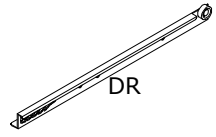
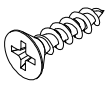
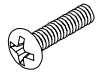
Do not use an electric screwdriver, and do not use too much force when installing, because the board is easy to break.

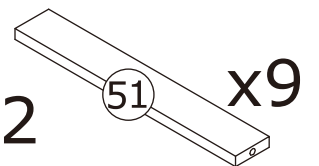
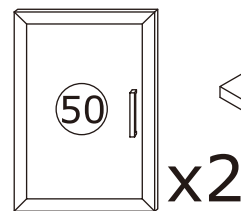
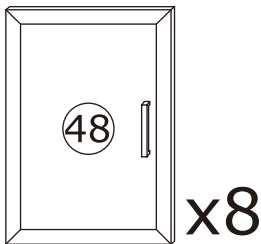
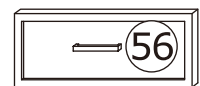
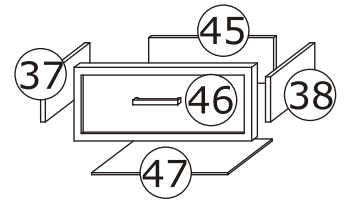
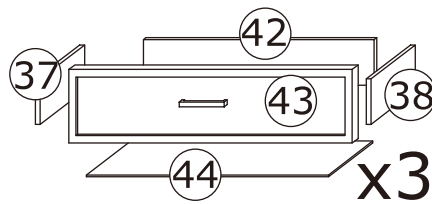
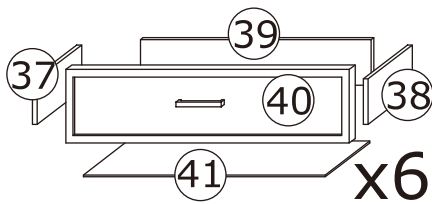
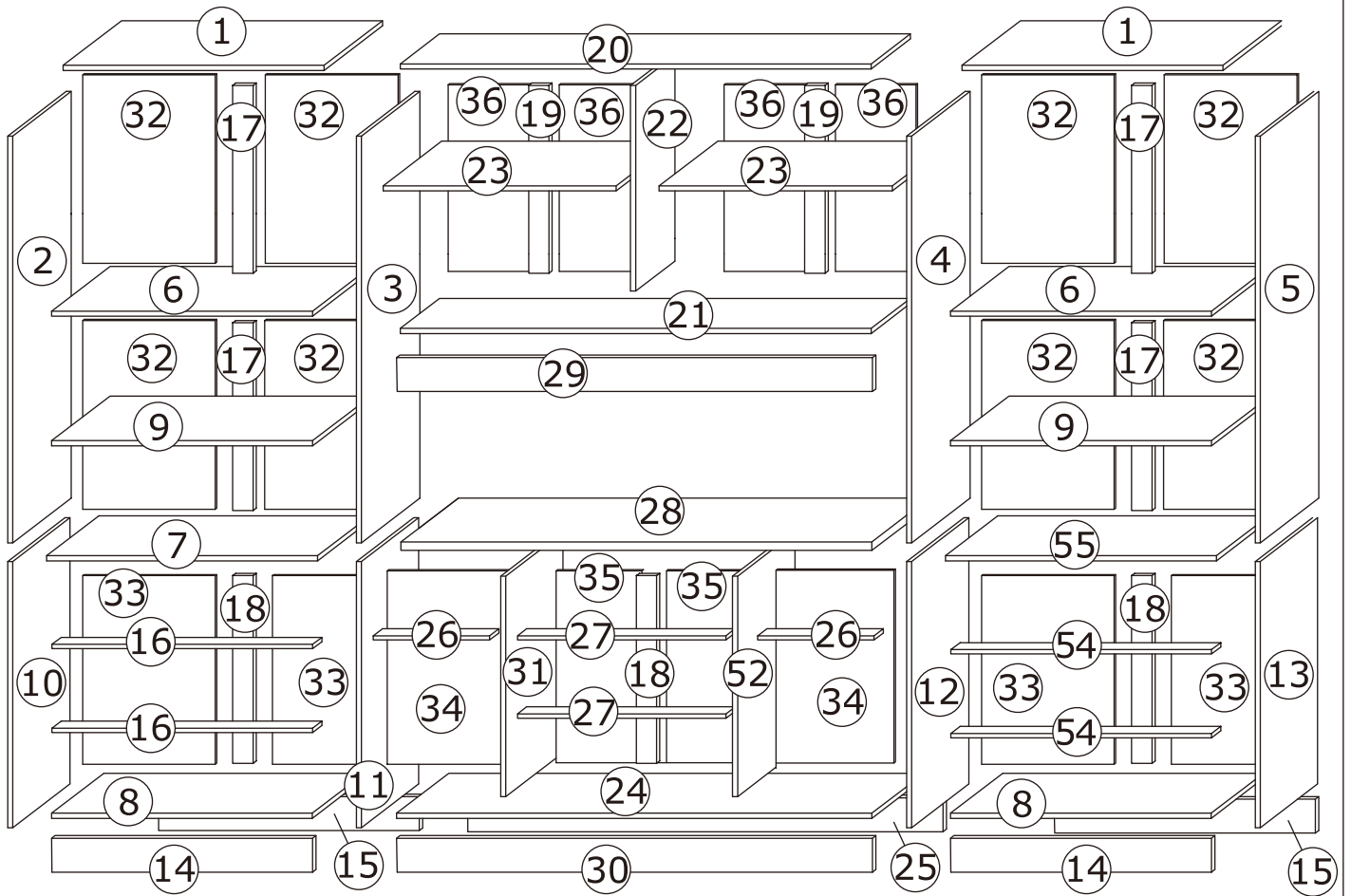


Please prepare the following tools



When installing, please carefully confirm whether each screw corresponds to the manual, accessories with similar shapes can be distinguished by size

| | | | | |
|--|---|---|---|---|
| <p>A x 179</p>  <p>Ø6 x 35 mm</p> | <p>B x 179</p>  <p>Ø15 x 12 mm</p> | <p>C x 96</p>  <p>Ø3 x 12 mm</p> | <p>D x 32</p>  <p>Ø3 x 15 mm</p> | <p>E x 28</p>  <p>Ø4 x 18 mm</p> |
| <p>F x 25</p>  | <p>G x 4</p>  <p>Ø26 mm</p> | <p>H x 16</p>  <p>Ø6 x 30 mm</p> | <p>J x 4</p>  <p>Ø4 x 30 mm Ø3 x 15 mm x2</p> | <p>K x 57</p>  <p>Ø4 x 30 mm</p> |
| <p>L x 4</p>  <p>Ø26 mm</p> | <p>M x 4</p>  <p>x 5</p> | <p>N x 32</p>  | <p>O x 20</p>  <p>Ø35 mm</p> | <p>P x 11</p>  <p>CL</p> |
| <p>R x 32</p>  | <p>S x 11</p>  <p>CR</p> | <p>T x 11</p>  <p>DL</p> | <p>W x 2</p>  | <p>Y x 11</p>  <p>DR</p> |
| <p>Z x 168</p>  <p>Ø4 x 14 mm</p> | <p>I x 22</p>  <p>Ø4 x 14 mm</p> | | | |



⚠ WARNING

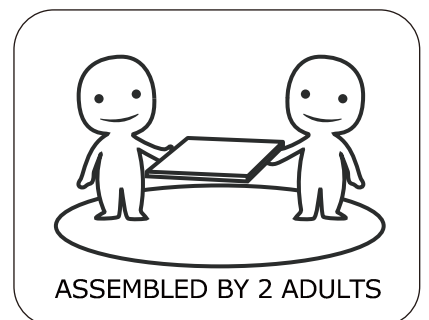


Children have died from furniture tipover. To reduce the risk of furniture tipover:









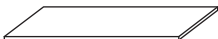






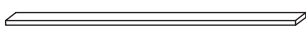




- ALWAYS install Anti-tip device provided.
- NEVER put a TV on this product.
- NEVER allow children to stand, climb or hang on drawers, doors, or shelves.
- NEVER open more than one drawer at a time.
- Place heaviest items in the lowest drawers.



This is a permanent label. Do not remove!



ASSEMBLED BY 2 ADULTS

| | | | |
|---|---|--|---|
| ① x2  | ② x1  | ③ x1  | ④ x1  |
| ⑤ x1  | ⑥ x2  | ⑦ x1  | ⑧ x2  |
| ⑨ x2  | ⑩ x1  | ⑪ x1  | ⑫ x1  |
| ⑬ x1  | ⑭ x2  | ⑮ x2  | ⑯ x2  |
| ⑰ x4  | ⑱ x3  | ⑲ x2  | ⑳ x1  |

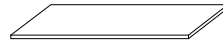
21 x1



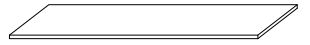
22 x1



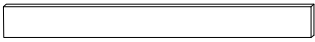
23 x4



24 x1



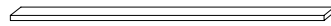
25 x1



26 x2



27 x2



28 x1



29 x1



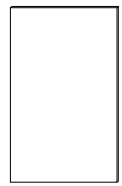
30 x1



31 x1



32 x8



33 x4



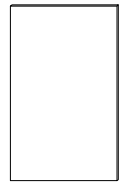
34 x2



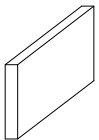
35 x2



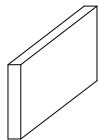
36 x4



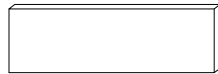
37 x11



38 x11



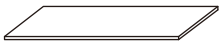
39 x6



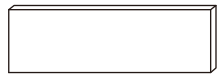
40 x6



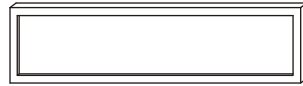
④① x6



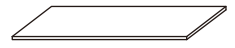
④② x3



④③ x3



④④ x3



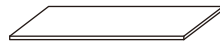
④⑤ x2



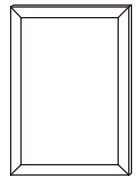
④⑥ x1



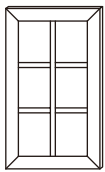
④⑦ x2



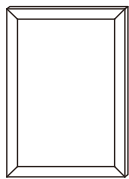
④⑧ x8



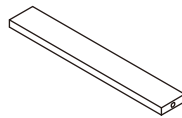
④⑨ x2



④⑩ x2



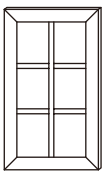
④⑪ x9



④⑫ x1



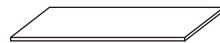
④⑬ x2



④⑭ x2



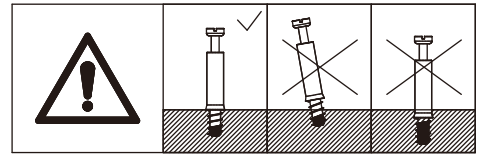
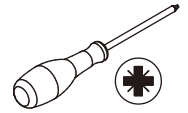
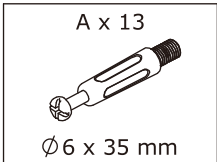
④⑮ x1



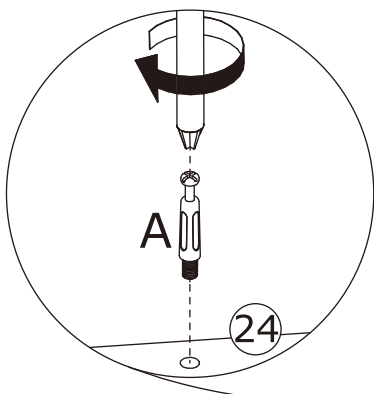
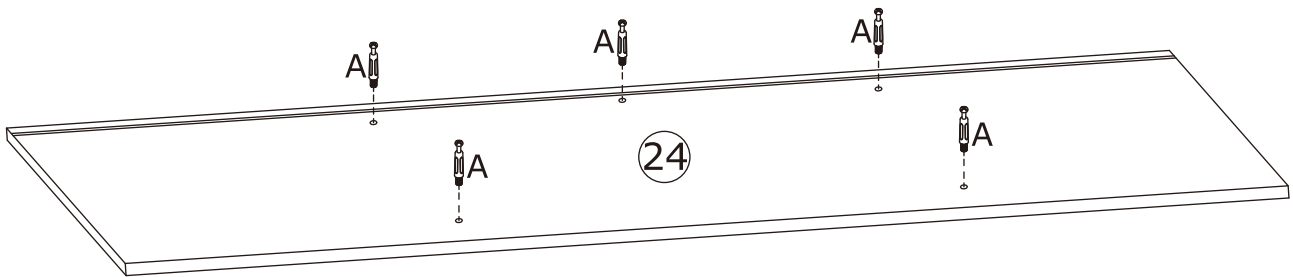
④⑯ x1



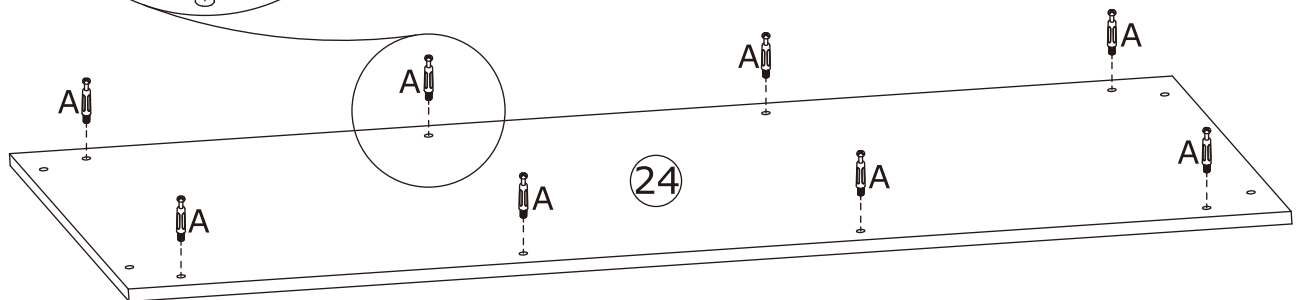
1



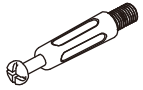

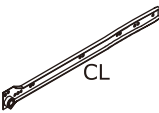
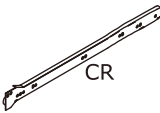
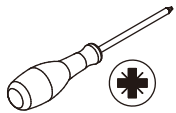
Attach hardware A to the top of plate 24 as shown.



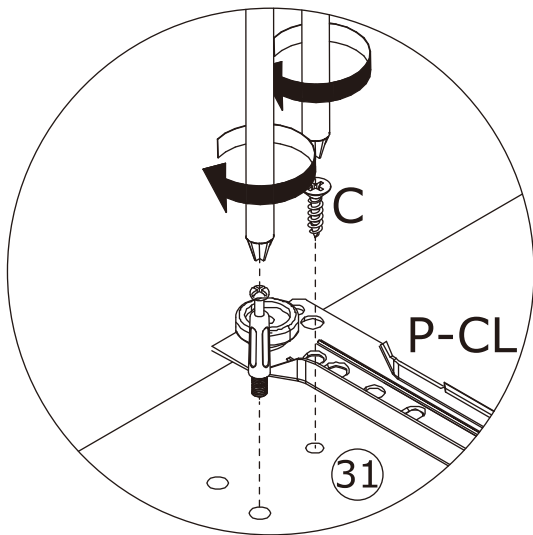
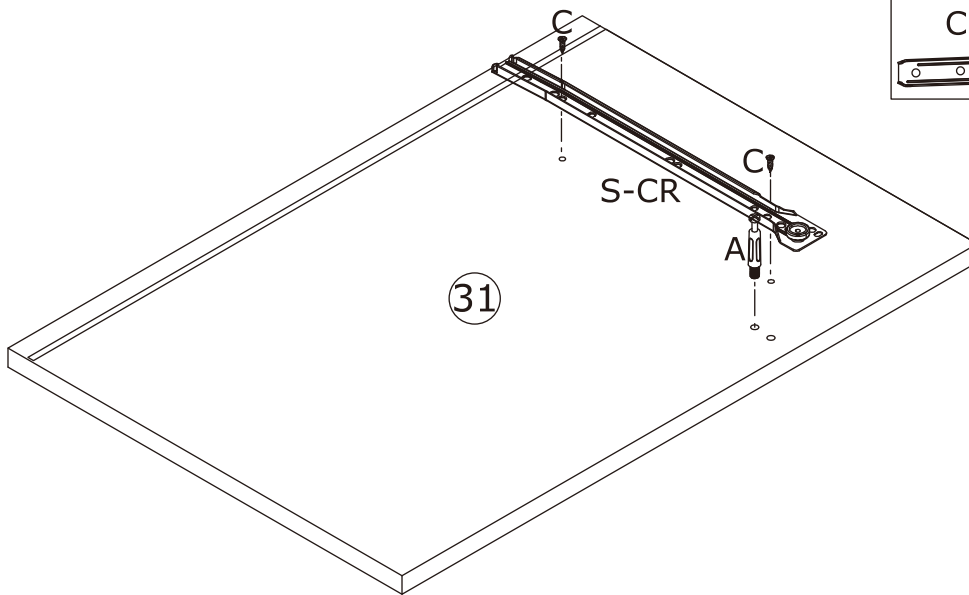
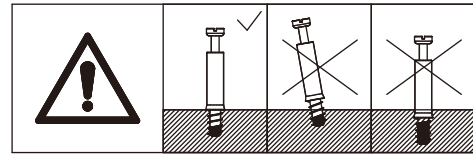
180°



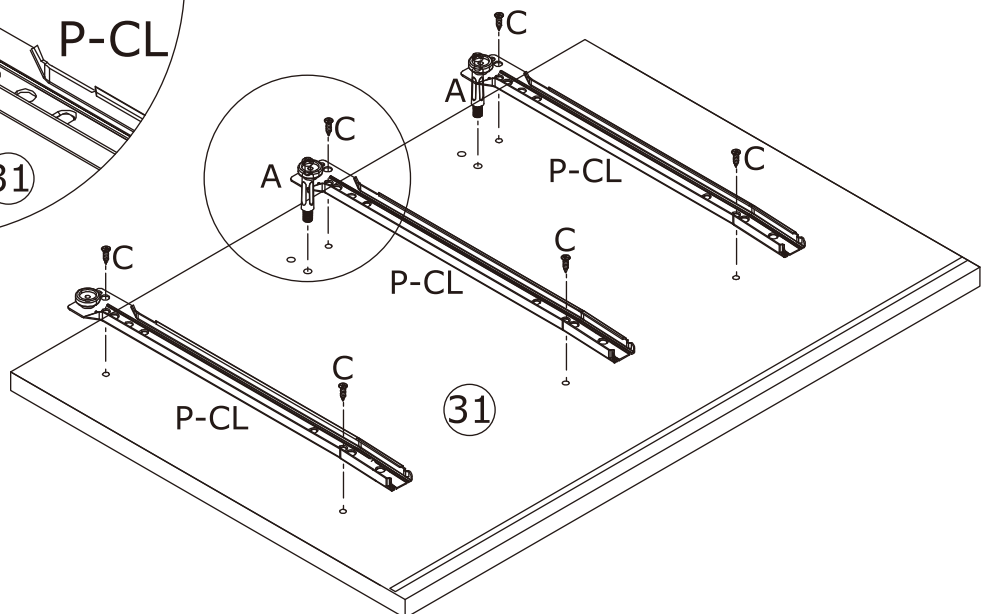
2

| | | | | |
|--|--|--|---|---|
| <p>A x 3</p>  <p>Ø6 x 35 mm</p> | <p>C x 8</p>  <p>Ø3 x 12 mm</p> | <p>P x 3</p>  <p>CL</p> | <p>S x 1</p>  <p>CR</p> |  |
|--|--|--|---|---|

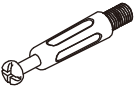

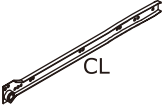
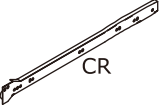
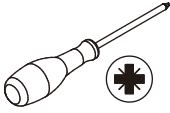
Secure hardware A to the top of plate 31.
Attach hardware P and S to the top of
plate 31 with hardware C as shown.



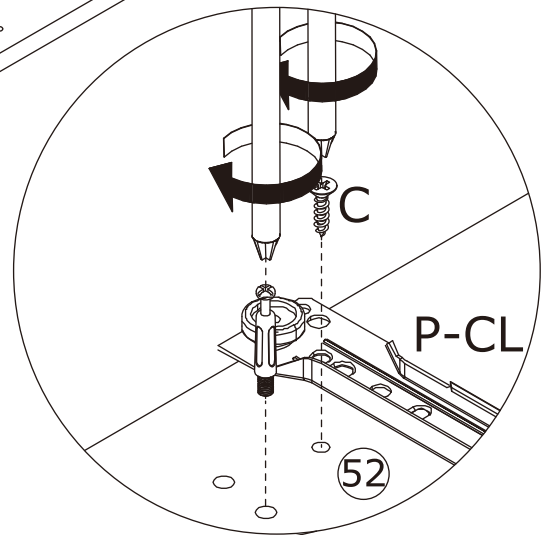
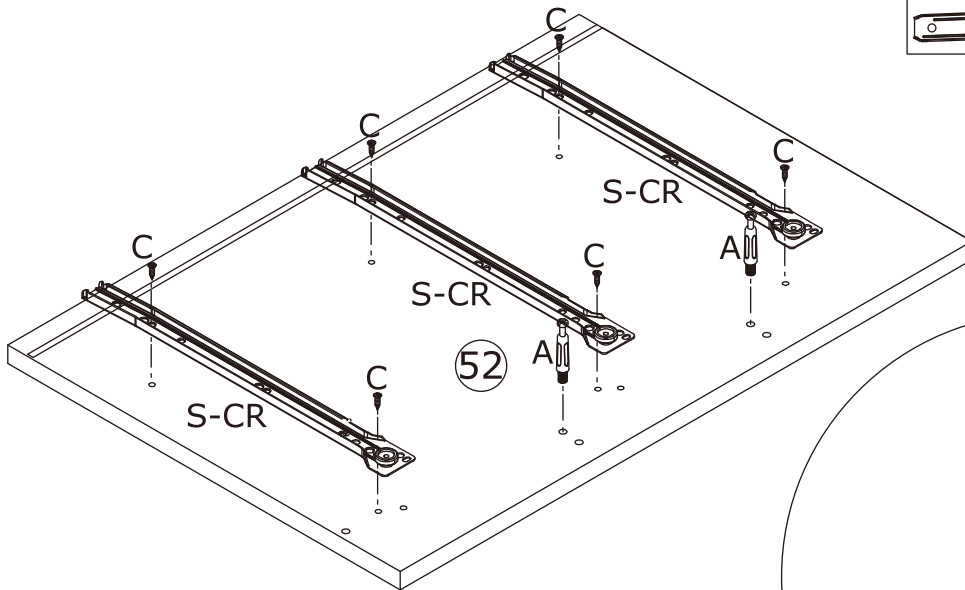
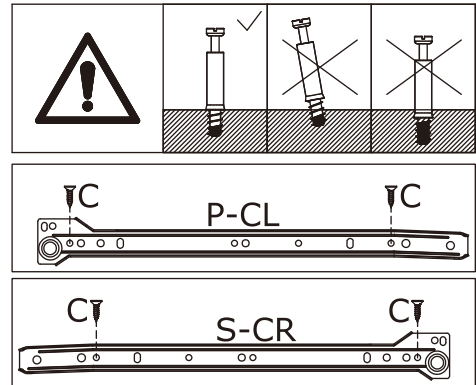
180°



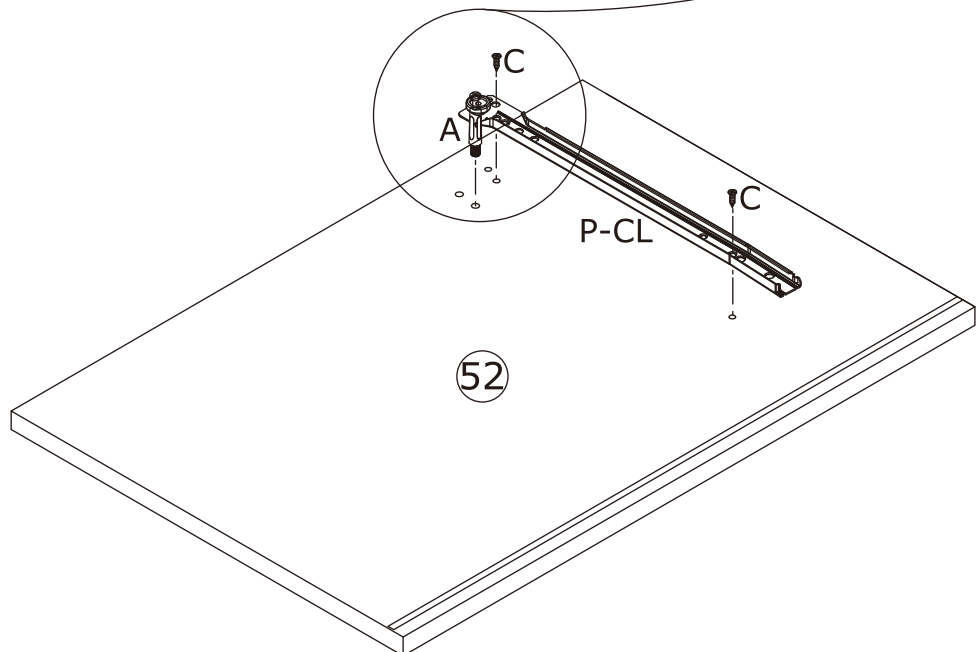
3

| | | | | |
|--|--|--|---|---|
| <p>A x 3</p>  <p>Ø6 x 35 mm</p> | <p>C x 8</p>  <p>Ø3 x 12 mm</p> | <p>P x 1</p>  <p>CL</p> | <p>S x 3</p>  <p>CR</p> |  |
|--|--|--|---|---|

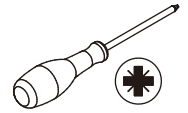
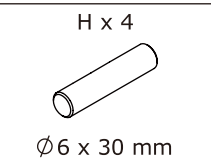
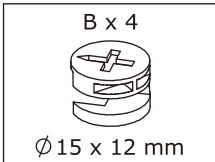
Fasten hardware A to the top of plate 52.
Attach hardware P and S to the top of plate 52 with hardware C as shown.



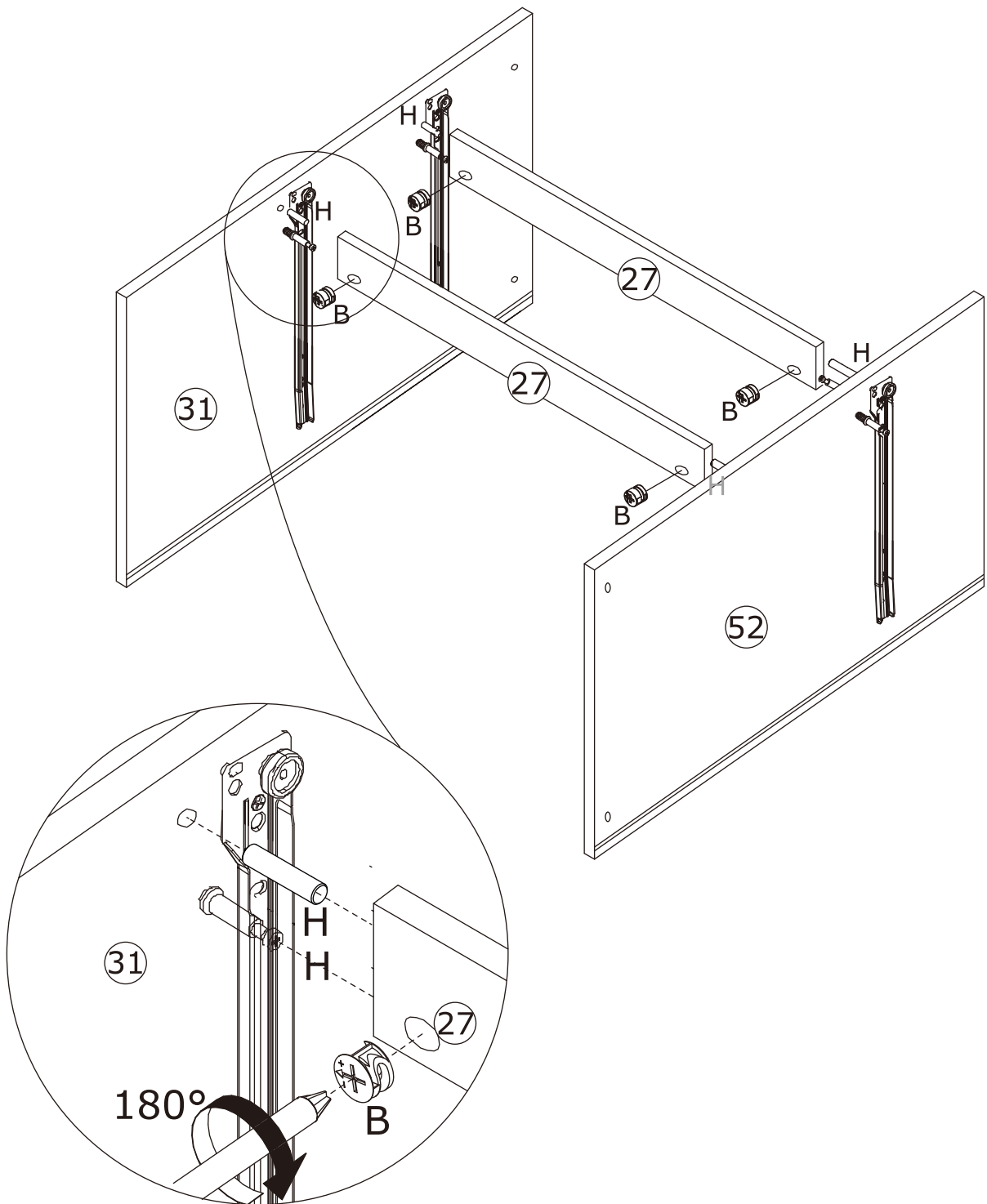
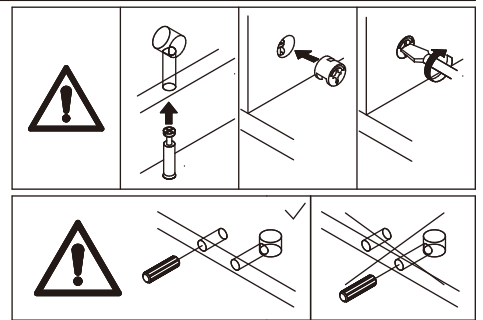
180°



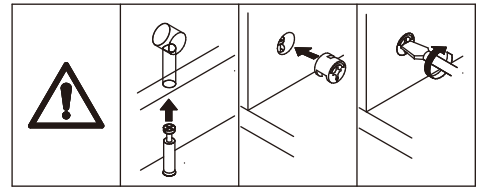
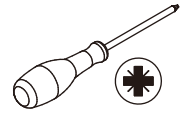
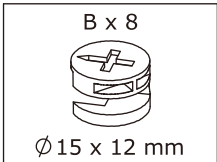
4



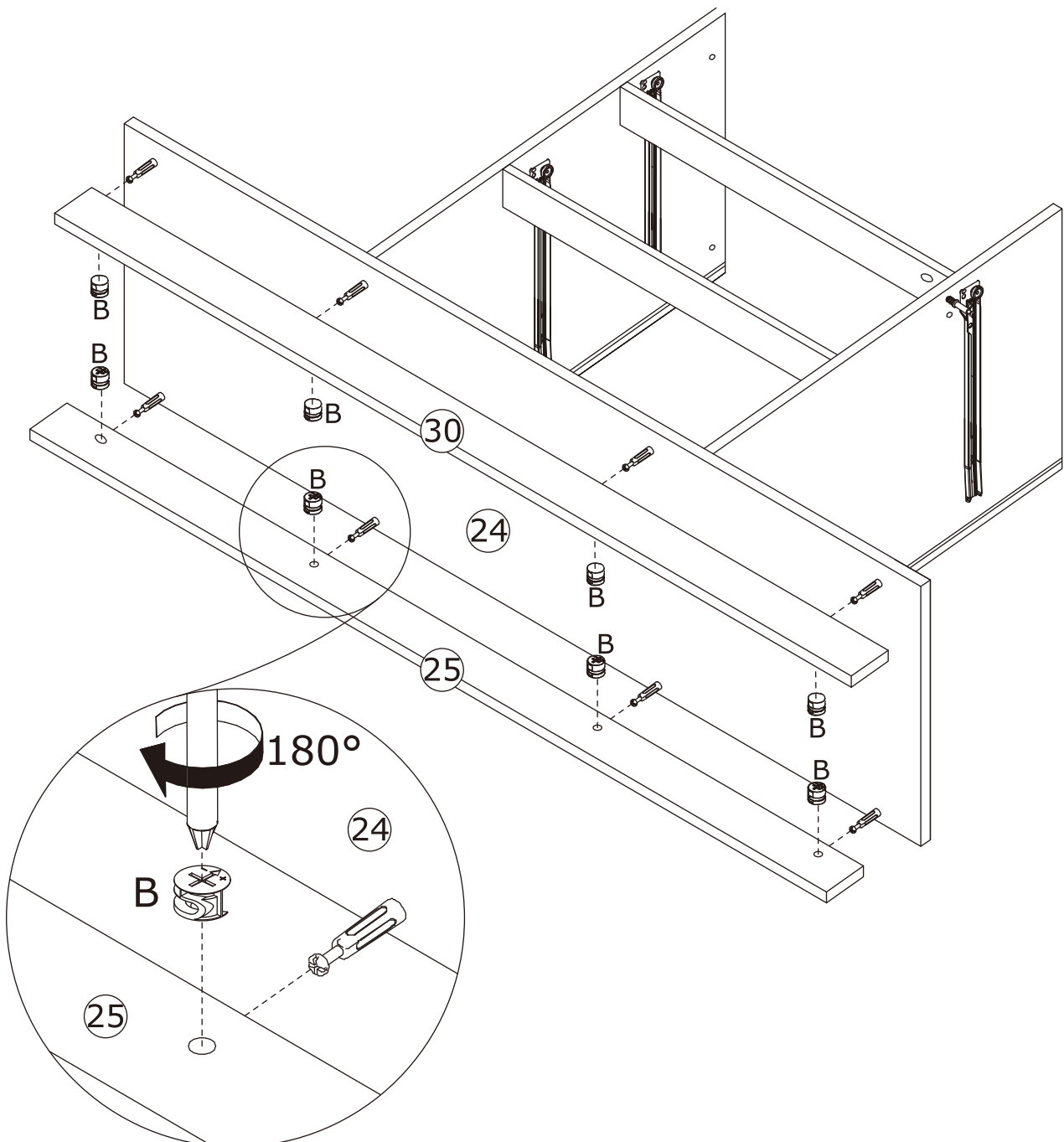
Secure part 27 and parts 31, 52 together with hardware B, H as shown.



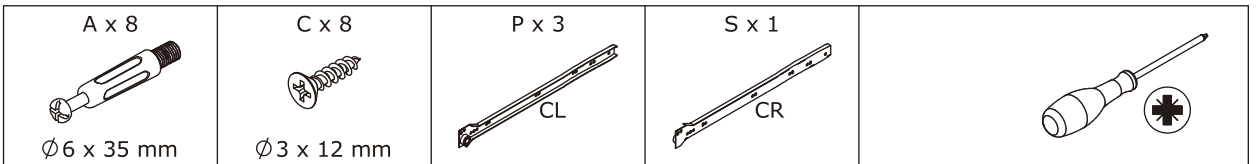
6



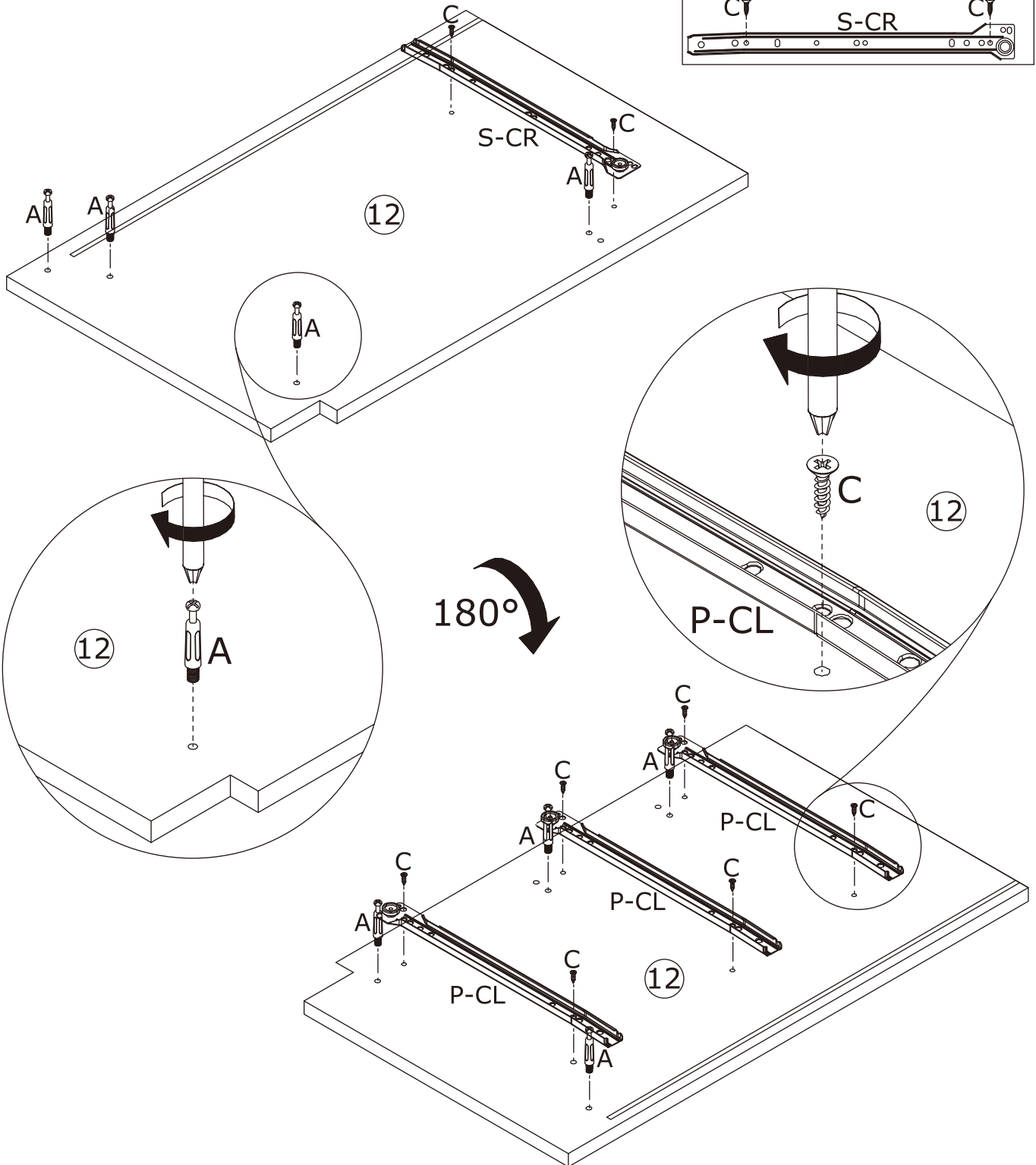
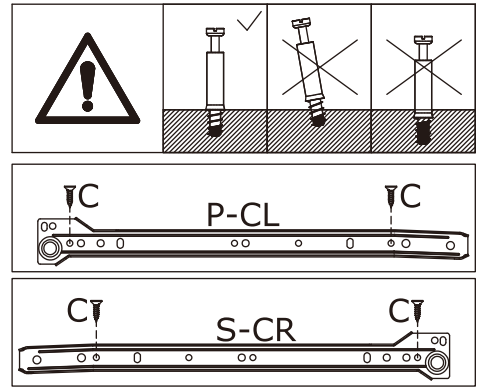
Secure parts 30, 25 and part 24 together with hardware B as shown.



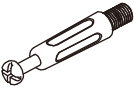

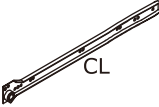
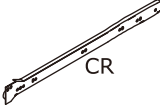
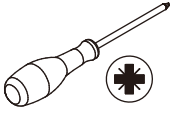
7



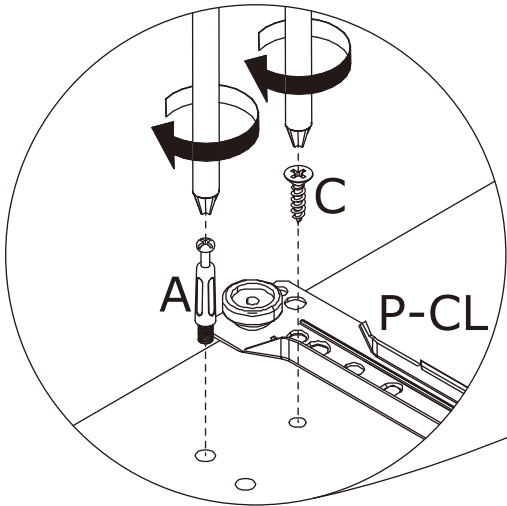
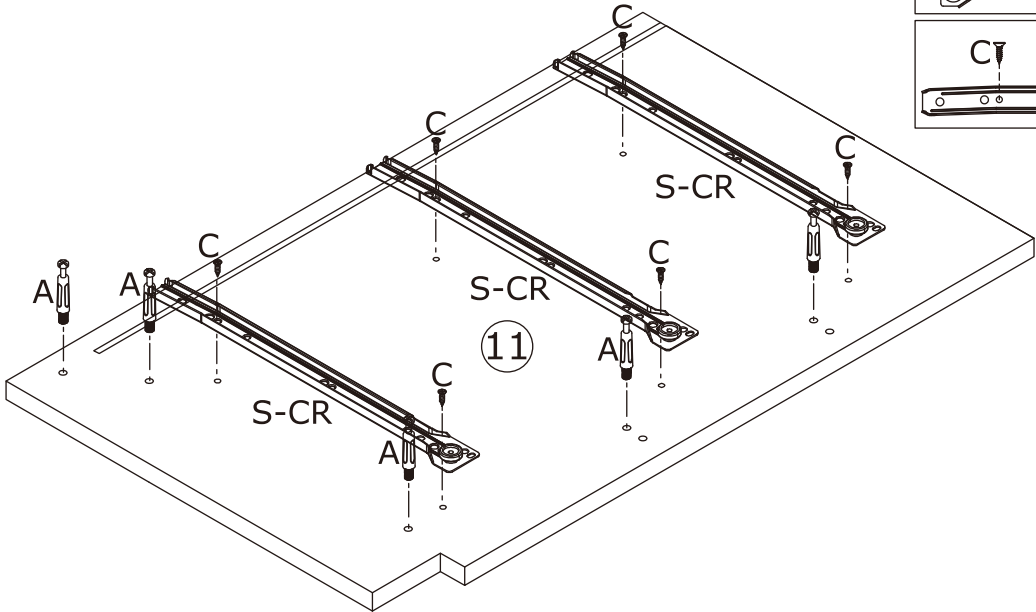
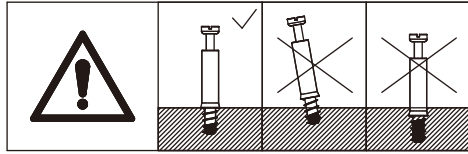
Secure hardware A to the top of plate 12.
Attach hardware P and S to the top of plate 12 with hardware C as shown.



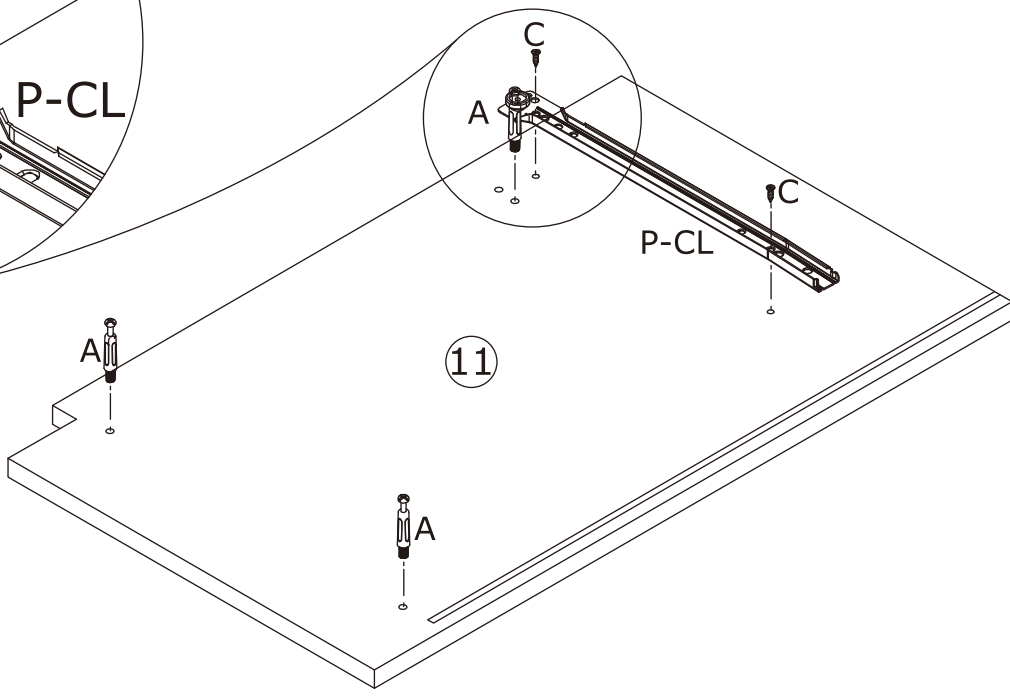
8

| | | | | |
|--|--|--|---|--|
| <p>A x 8</p>  <p>Ø6 x 35 mm</p> | <p>C x 8</p>  <p>Ø3 x 12 mm</p> | <p>P x 1</p>  <p>CL</p> | <p>S x 3</p>  <p>CR</p> |  <p>+</p> |
|--|--|--|---|--|

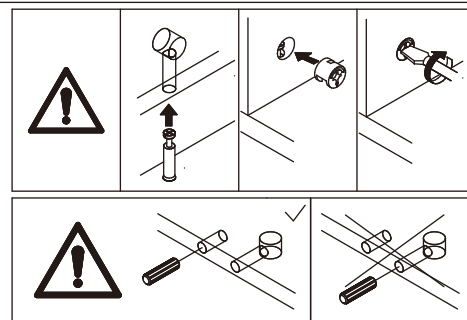
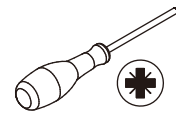
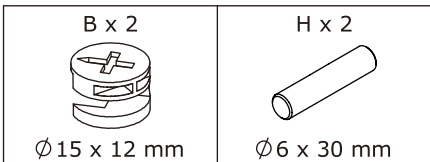
Fasten hardware A to the top of plate 11.
Attach hardware P and S to the top of plate 11
with hardware C as shown.



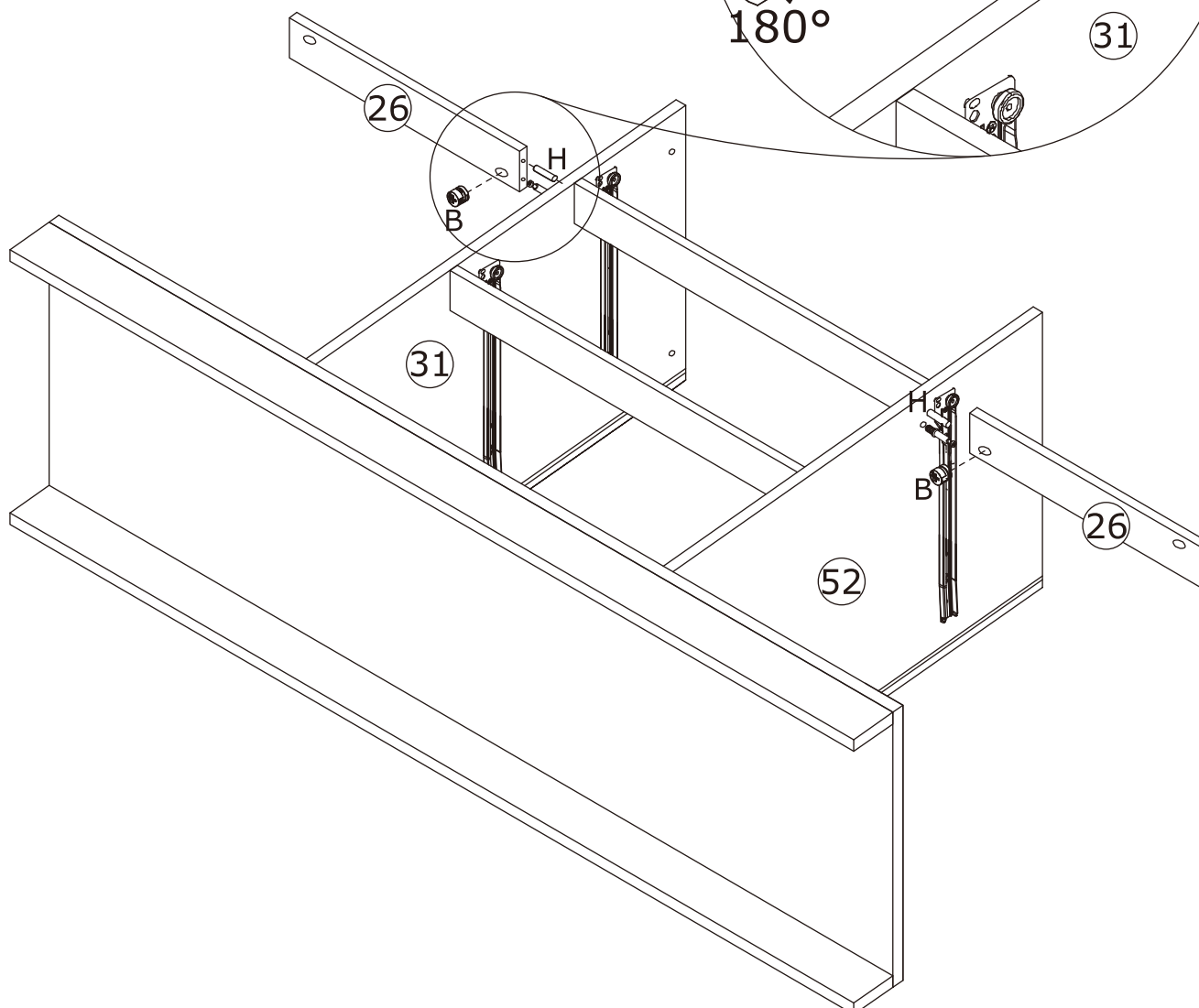
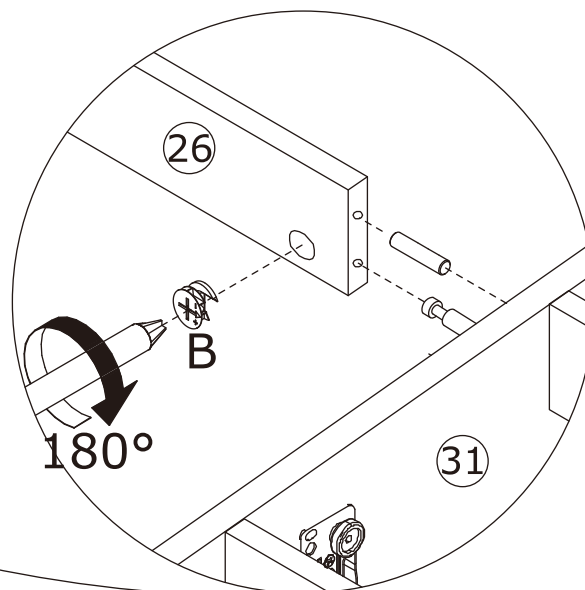
180°



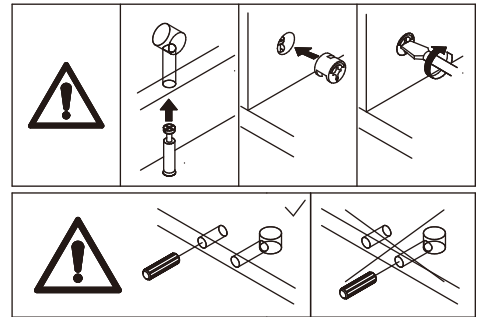
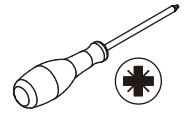
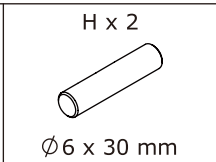
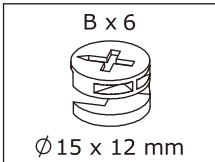
9



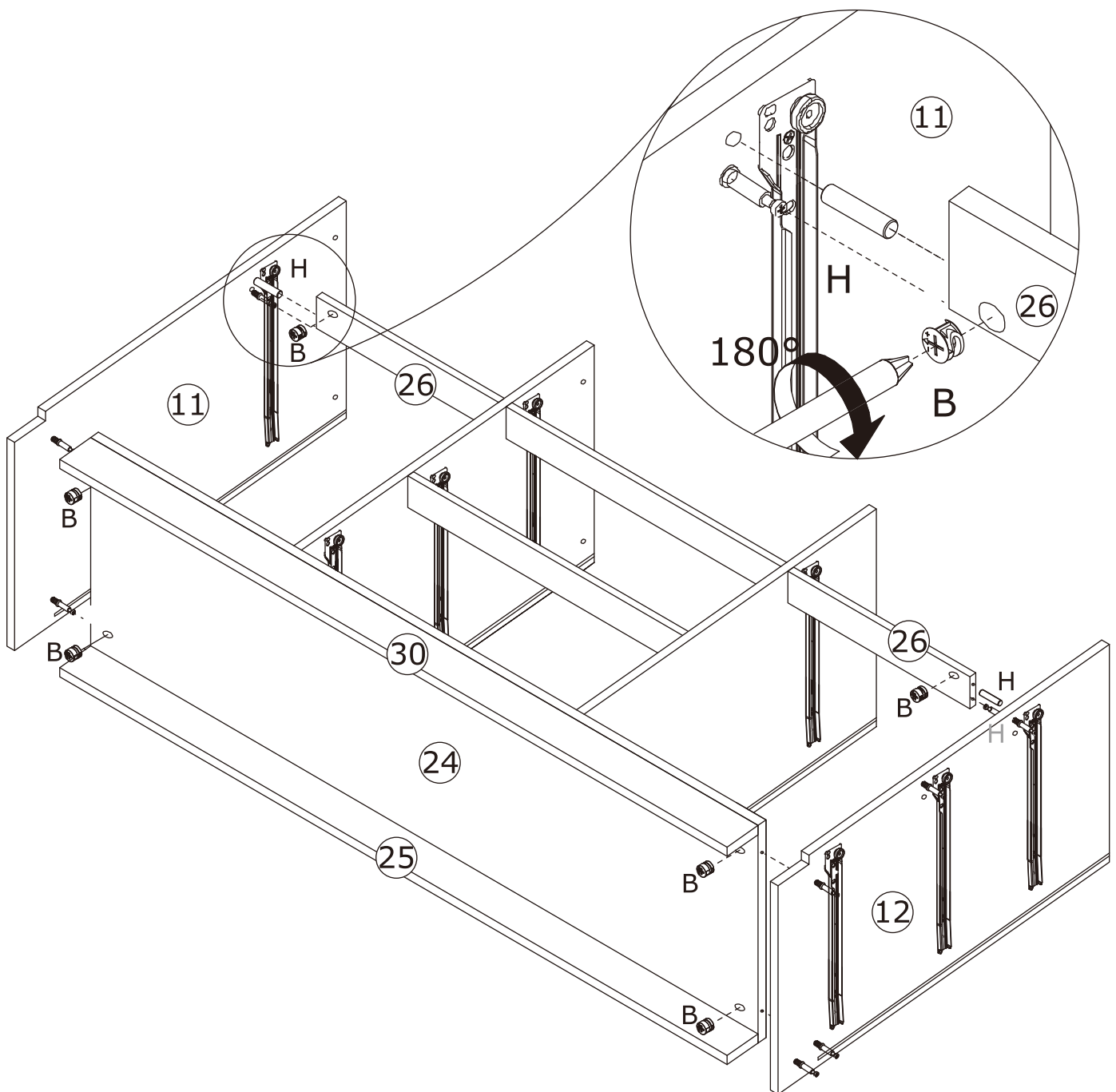
Attach part 26 to the assembly with hardware B as shown.



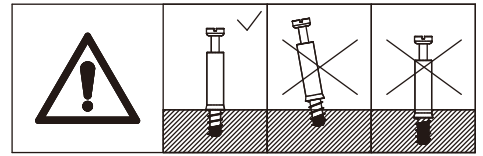
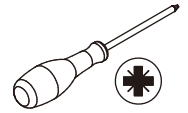
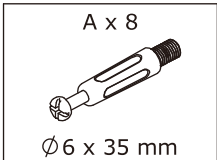
10



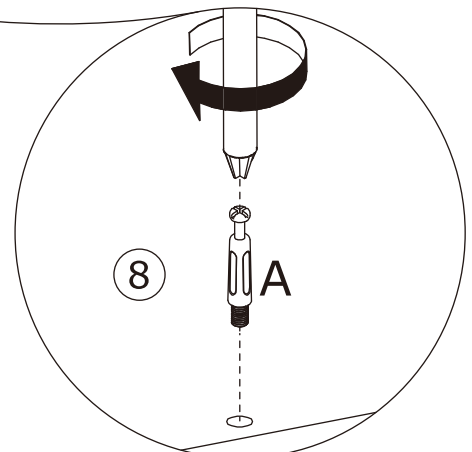
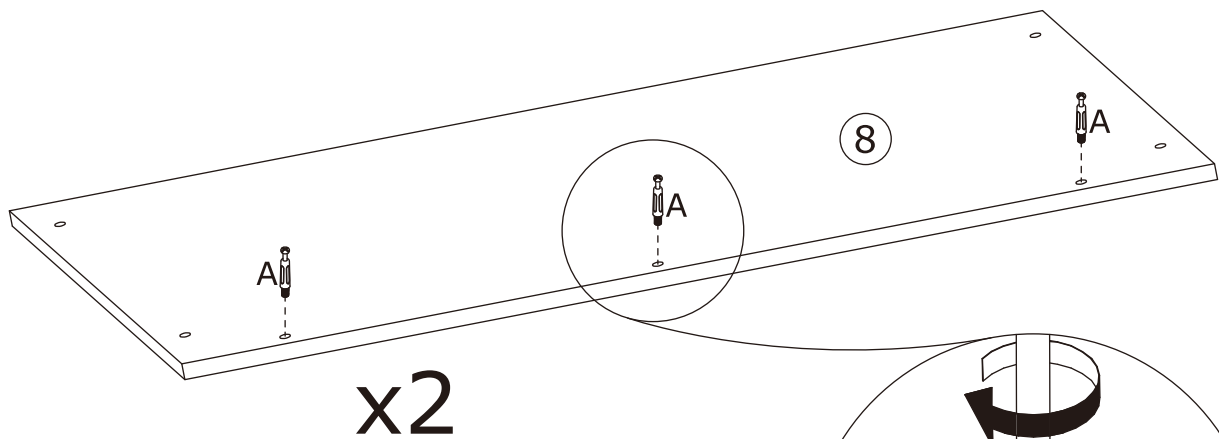
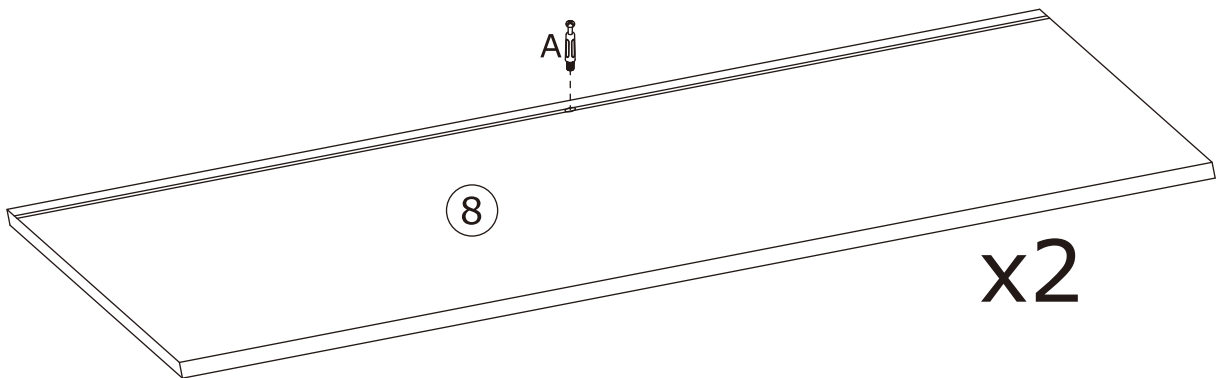
Attach parts 11 and 12 to the assembly with hardware B as shown.



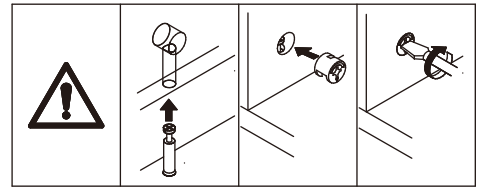
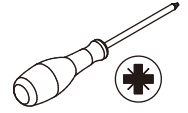
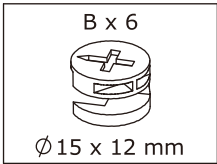
11



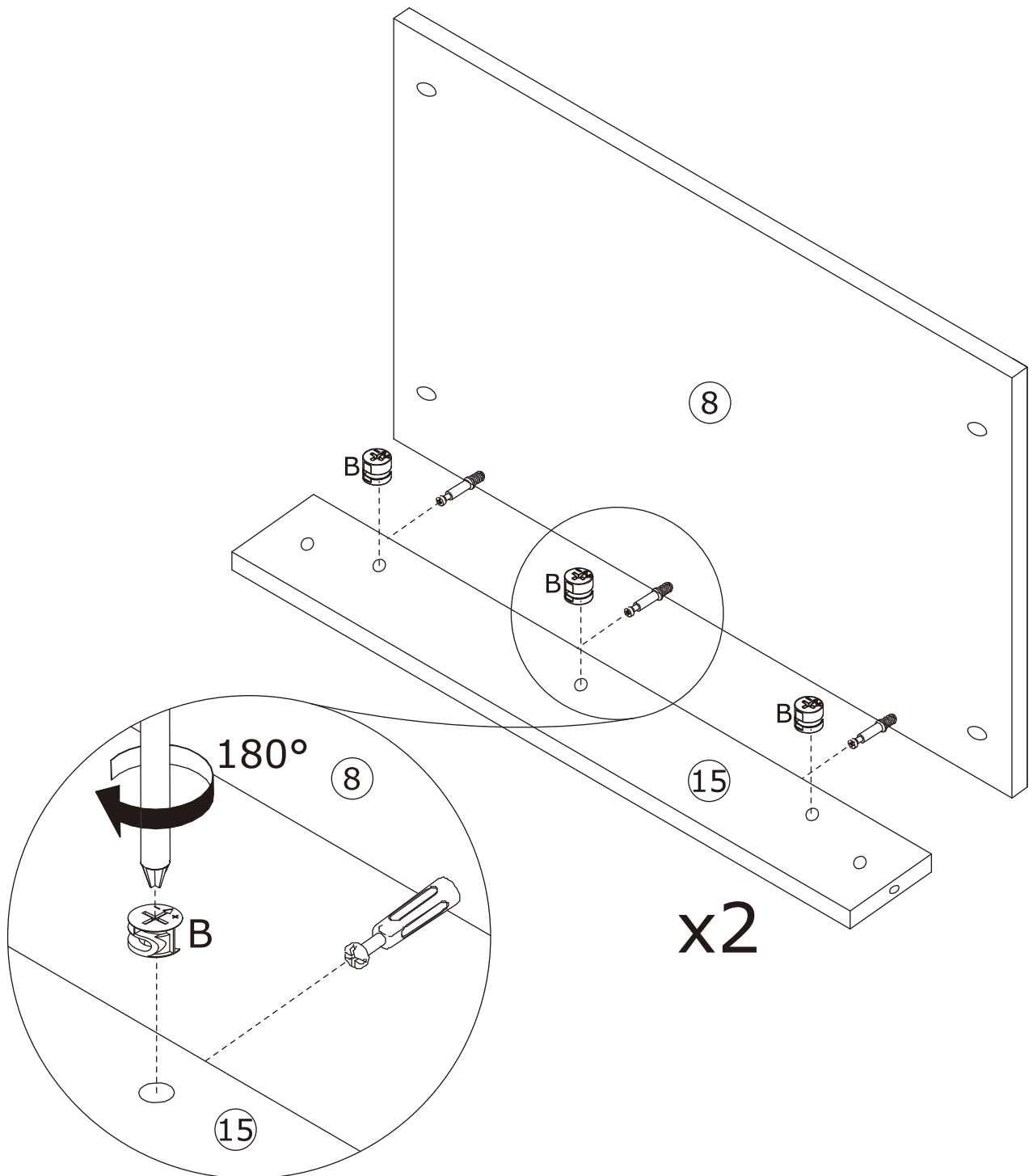
Attach hardware A to the top of plate 8 as shown.



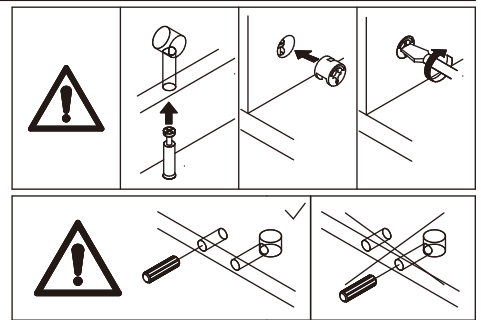
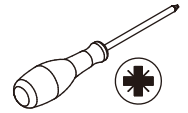
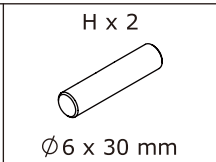
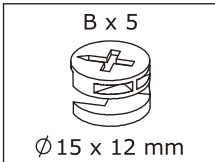
12



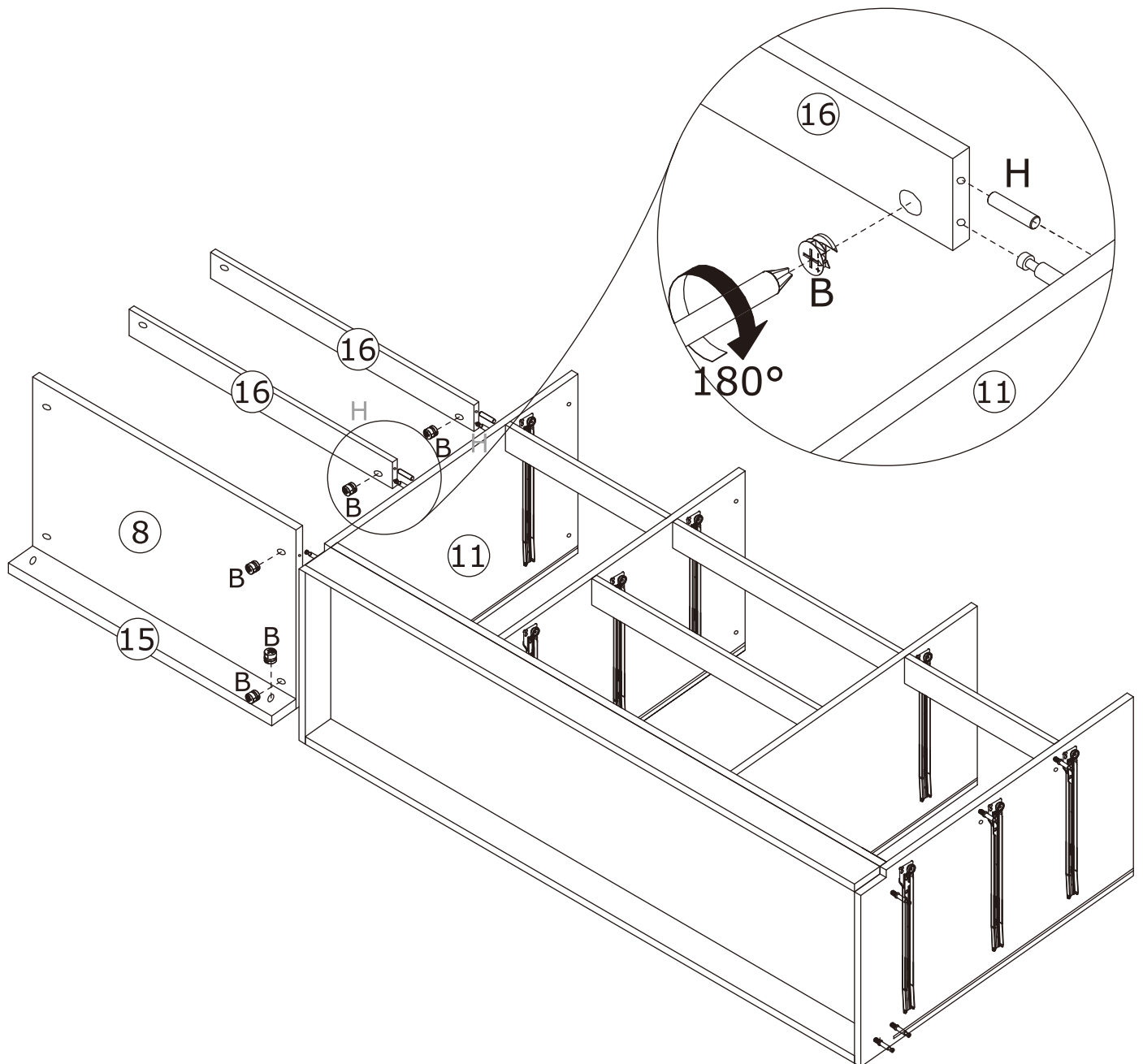
Secure parts 8 and 15 together with hardware B as shown.





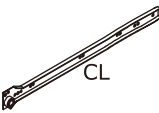
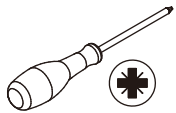
13

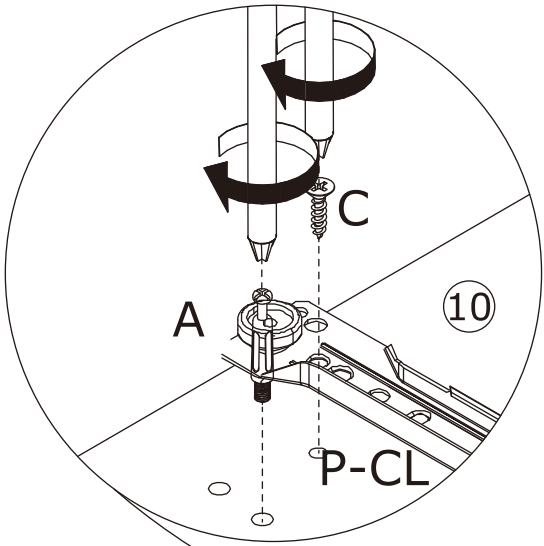
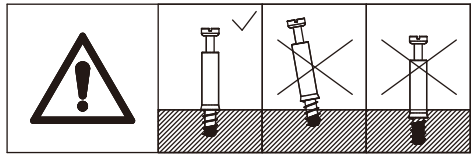


Secure parts 8, 15, 16 and part 11 together with hardware B as shown.

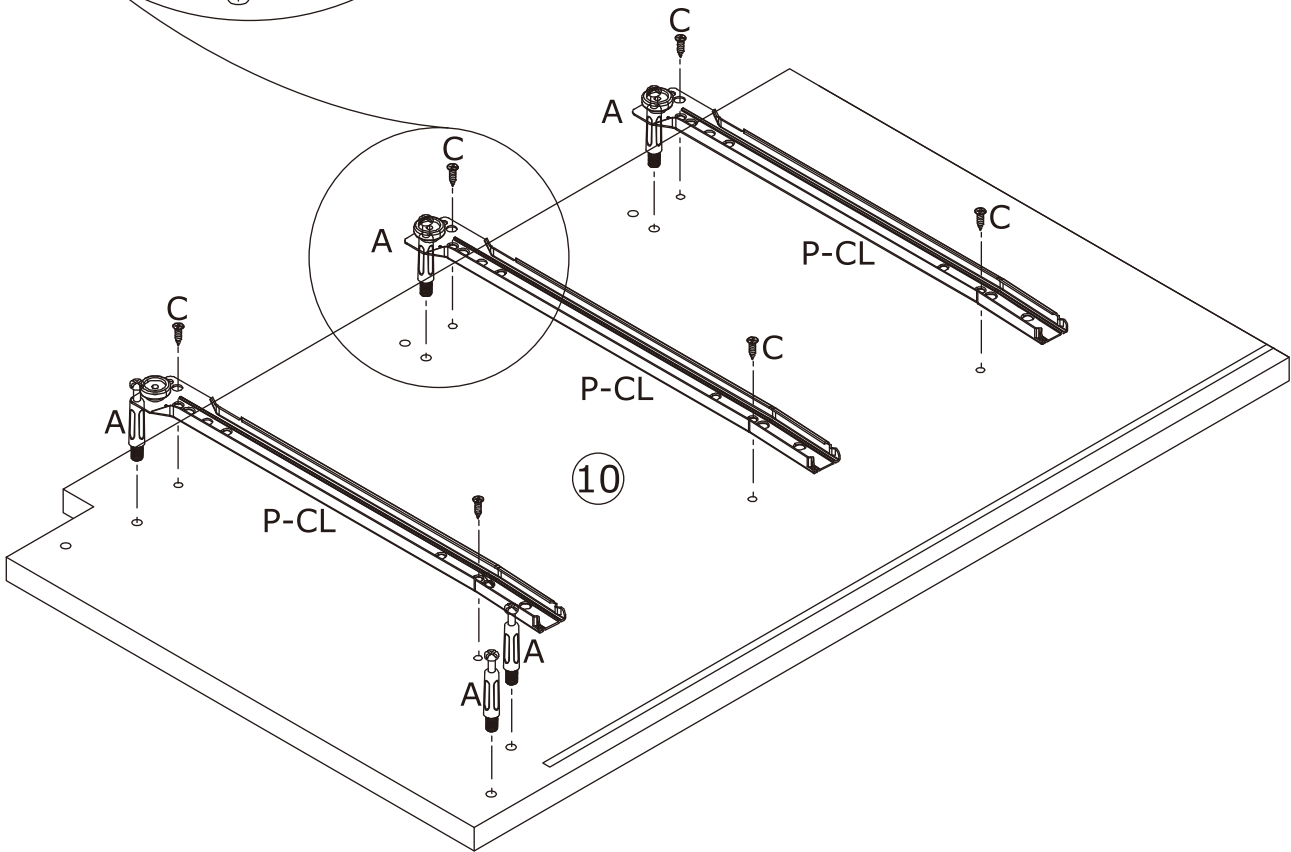


14

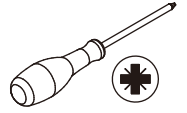
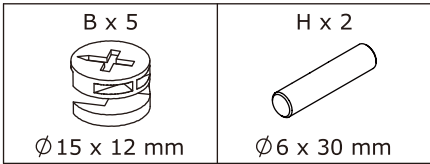
| | | | |
|--|--|--|---|
| <p>A x 5</p>  <p>Ø6 x 35 mm</p> | <p>C x 6</p>  <p>Ø3 x 12 mm</p> | <p>P x 3</p>  <p>CL</p> |  |
|--|--|--|---|



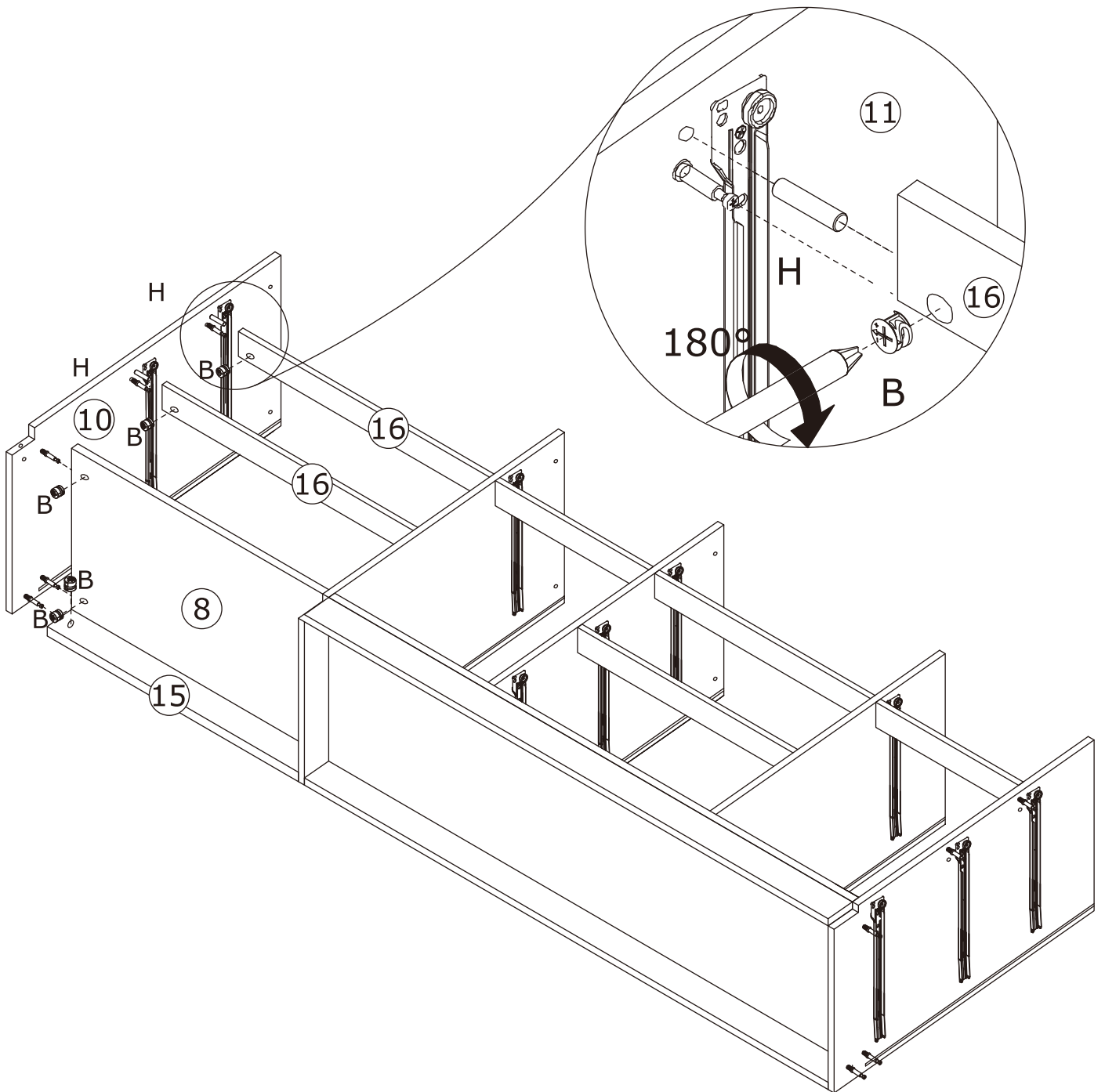
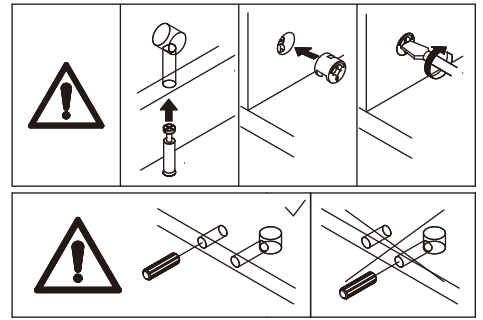
Attach hardware A to the top of plate 10. Attach hardware P to the top of plate 10 with hardware C as shown.



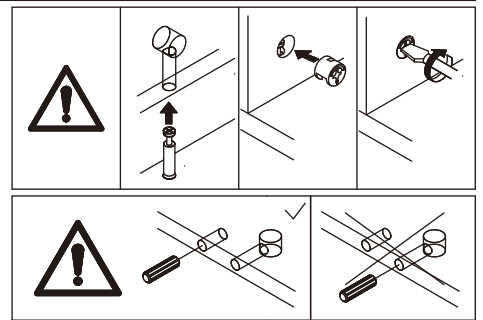
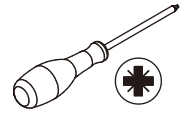
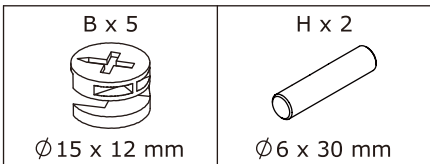
15



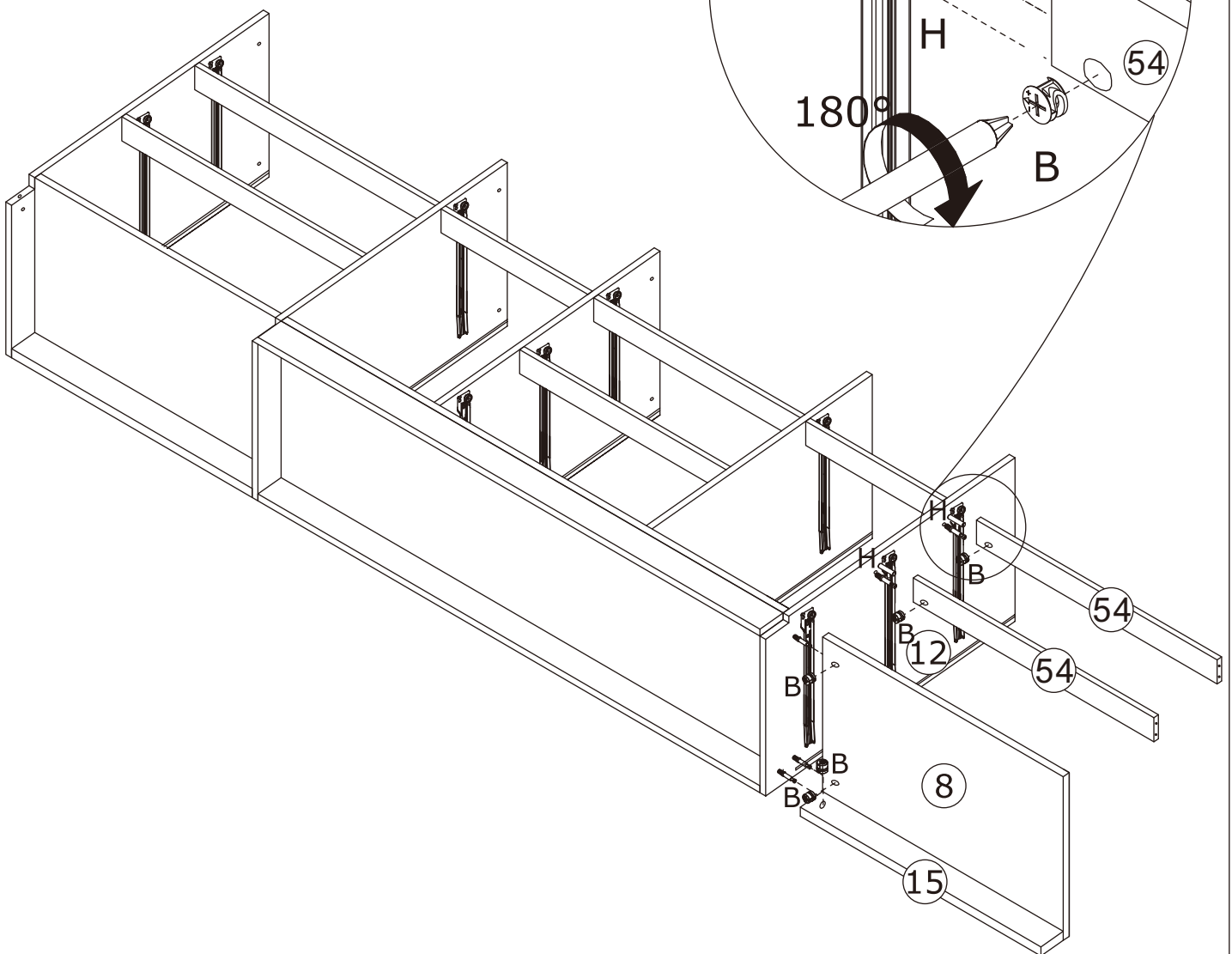
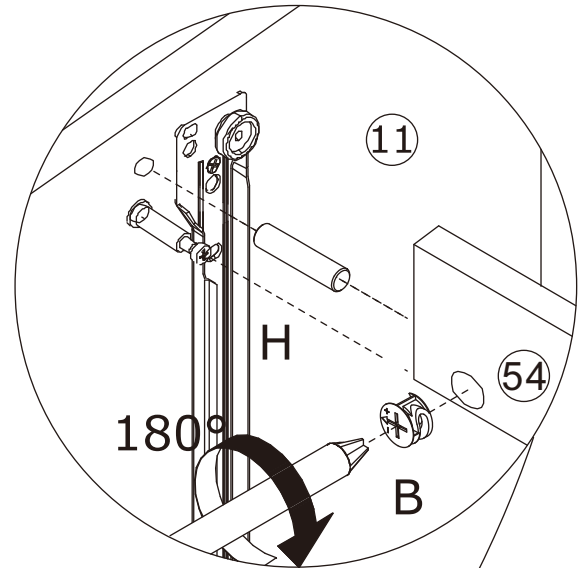
Secure parts 8, 15, 16 and part 10 together with hardware B as shown.



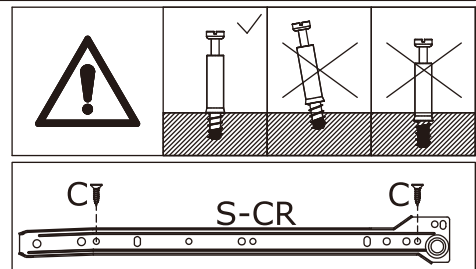
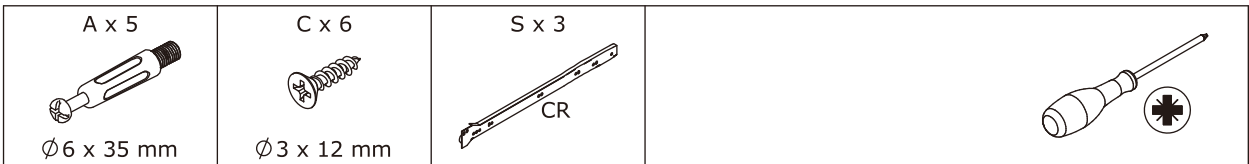
16



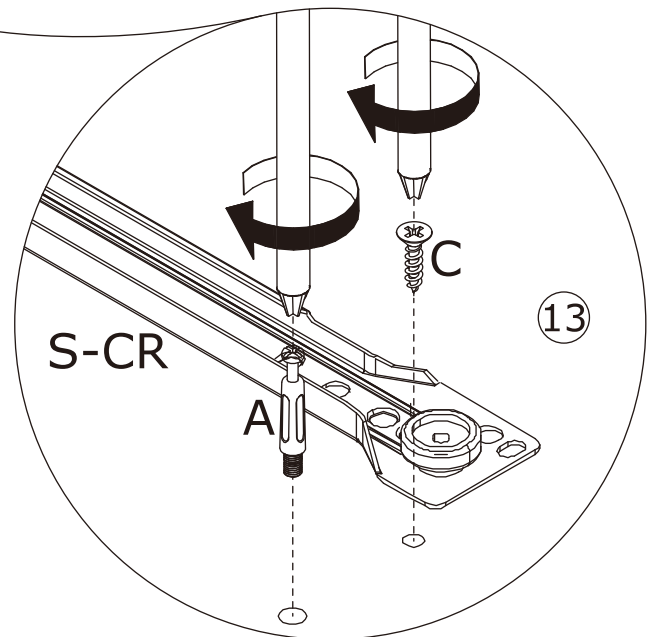
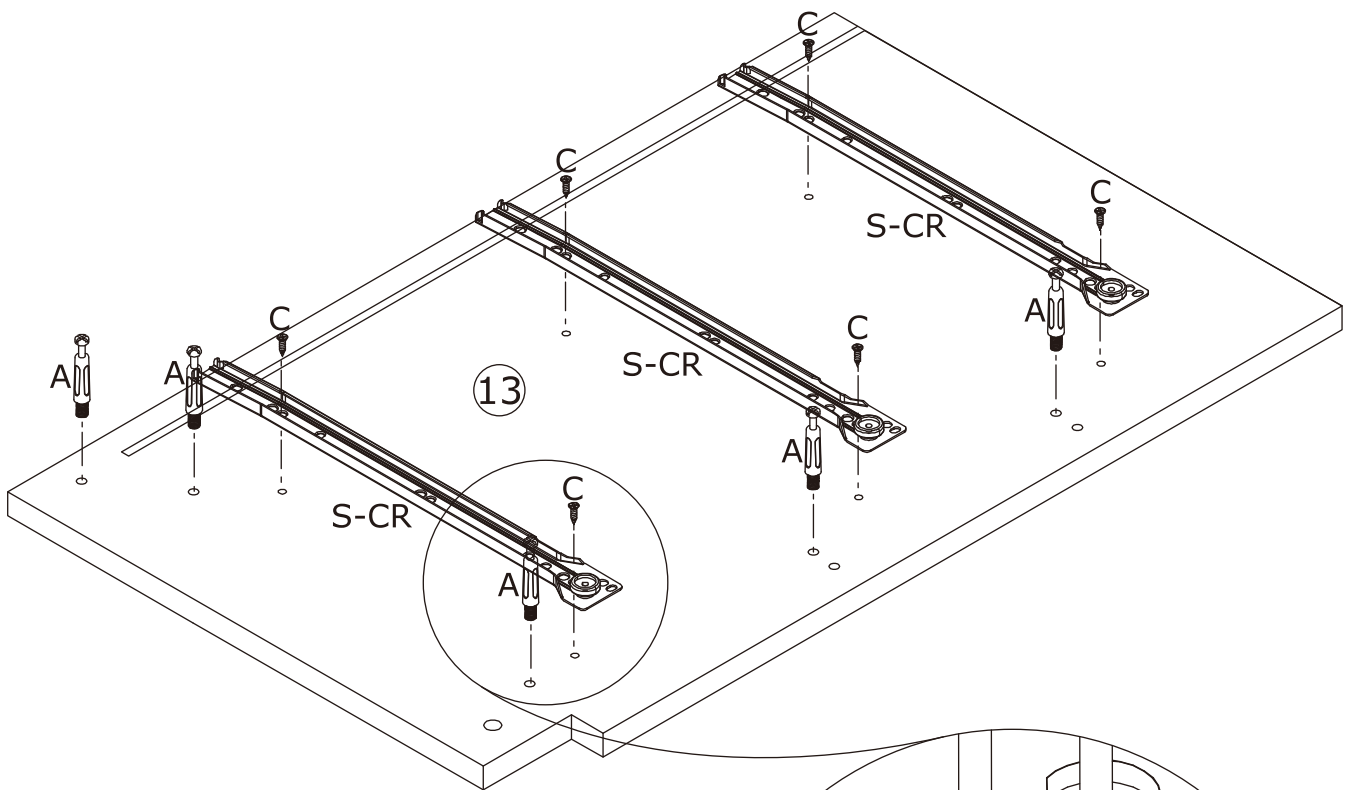
Secure parts 8, 15, 54 and part 12 together with hardware B as shown.



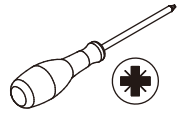
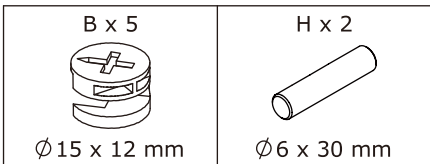
17



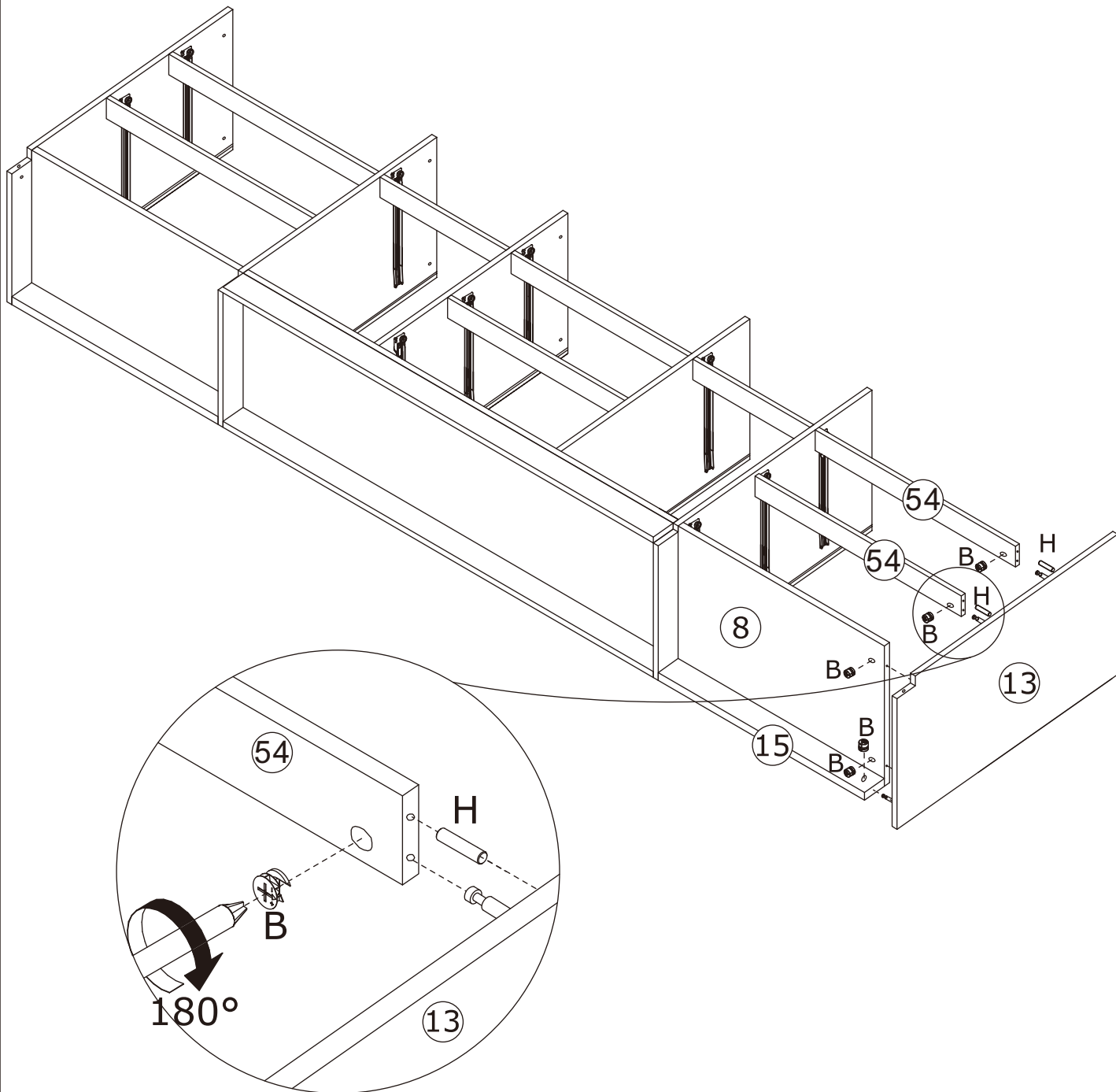
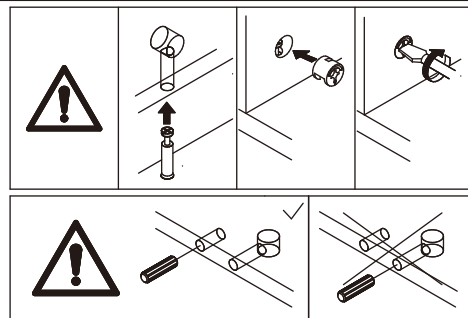
Attach hardware A to the top of plate 13.
Attach hardware P to the top of plate 13
with hardware C as shown.



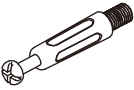


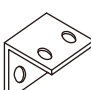
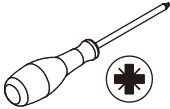
18

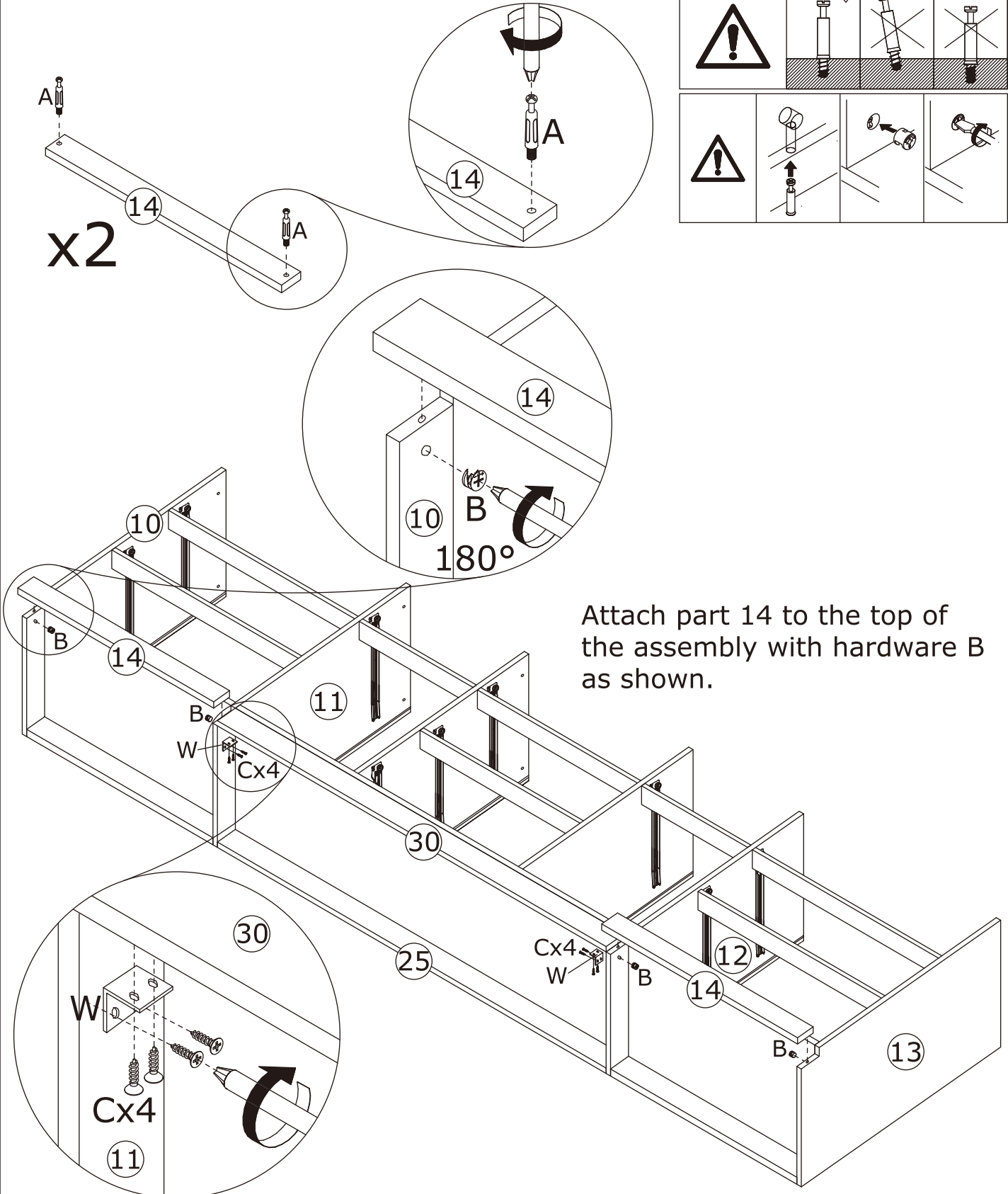
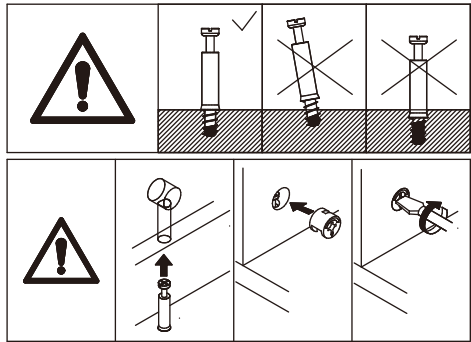


Secure parts 8, 15, 54 and part 13 together with hardware B as shown.



19

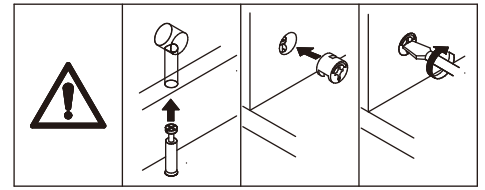
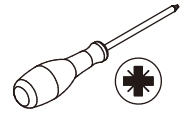
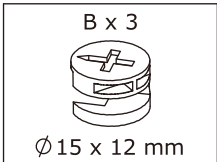
| | | | | |
|--|---|--|---|---|
| A x 4  Ø6 x 35 mm | B x 4  Ø15 x 12 mm | C x 8  Ø3 x 12 mm | W x 2  |  |
|--|---|--|---|---|



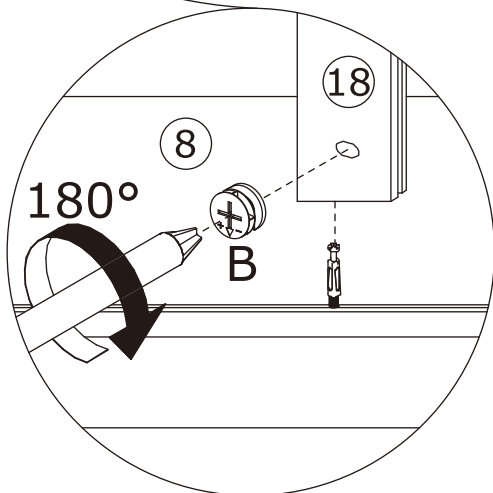
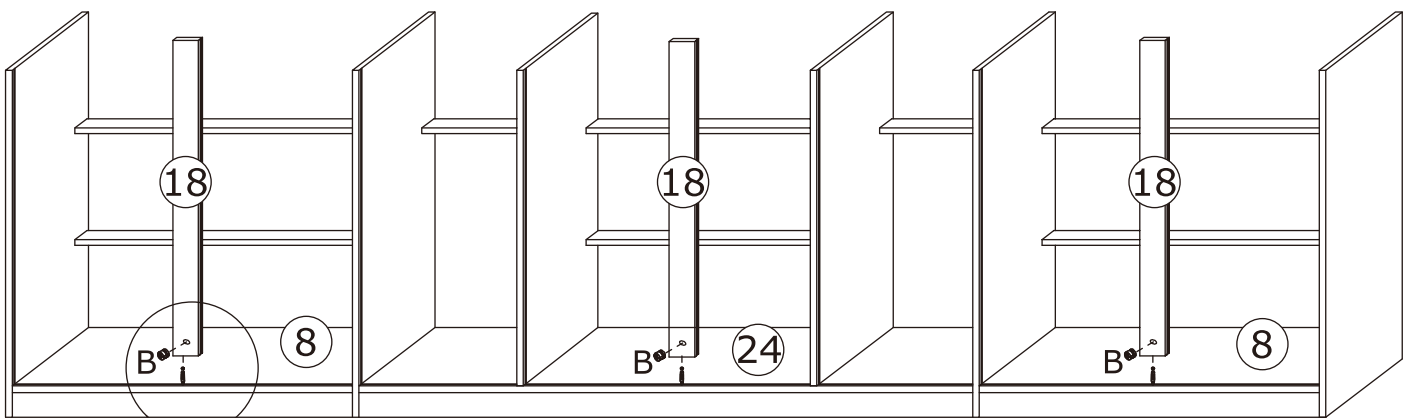
Attach part 14 to the top of the assembly with hardware B as shown.

Use hardware C to reinforce plates 12, 13 with hardware W on top of plate 30 as shown.

20

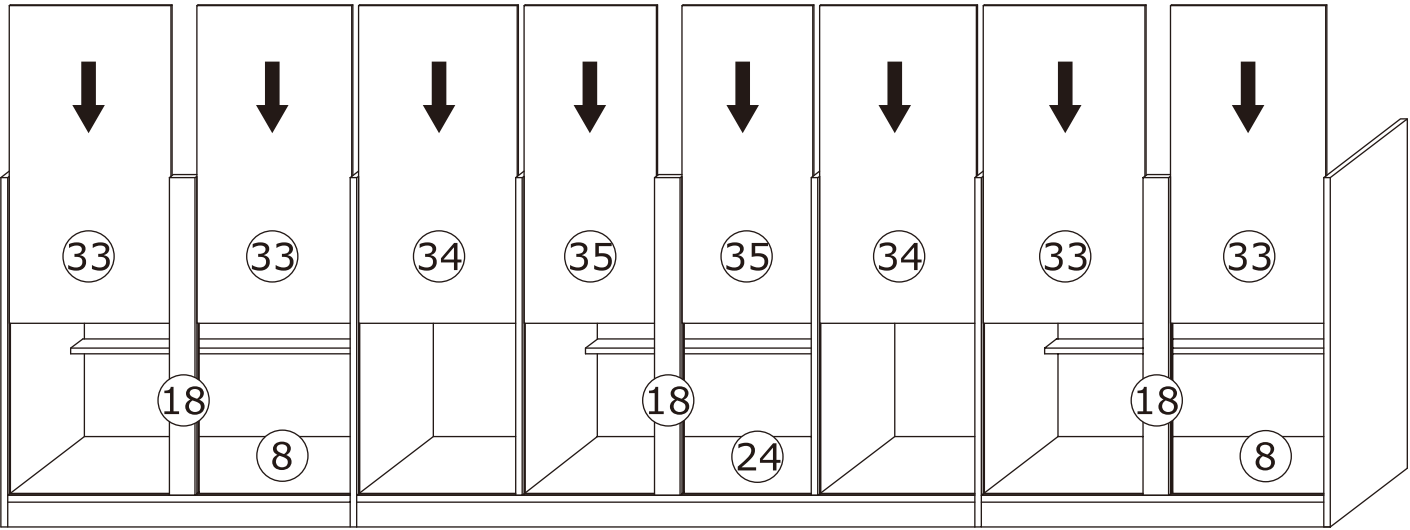


Assemble part 18 to the assembly with hardware B as shown.



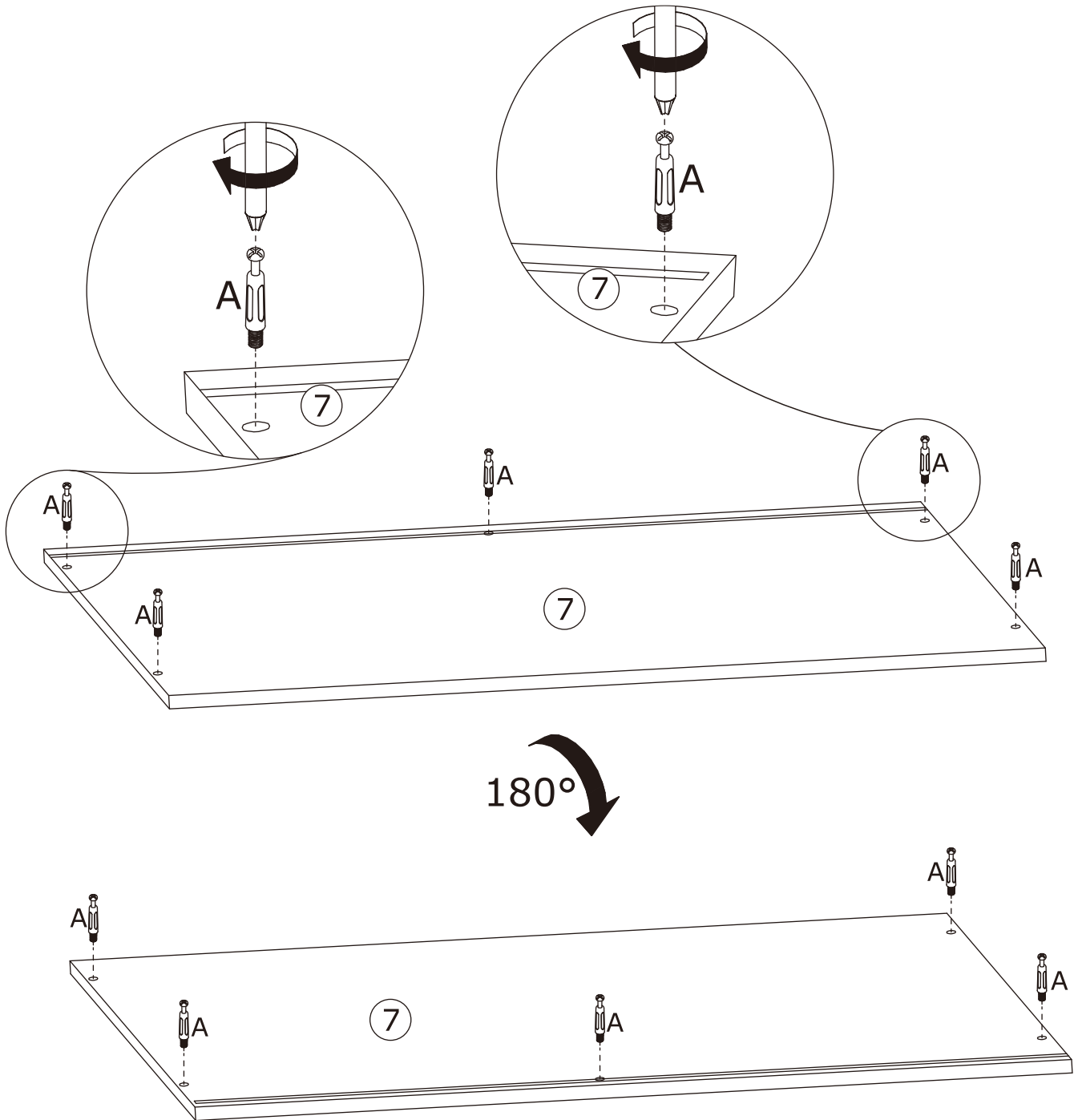
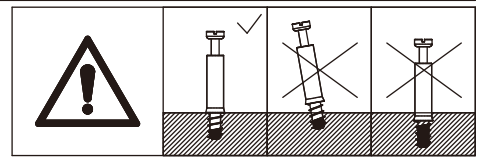
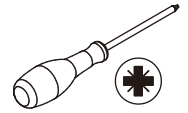
21

Assemble parts 33, 34, and 35 on top of the assembly as shown.



22

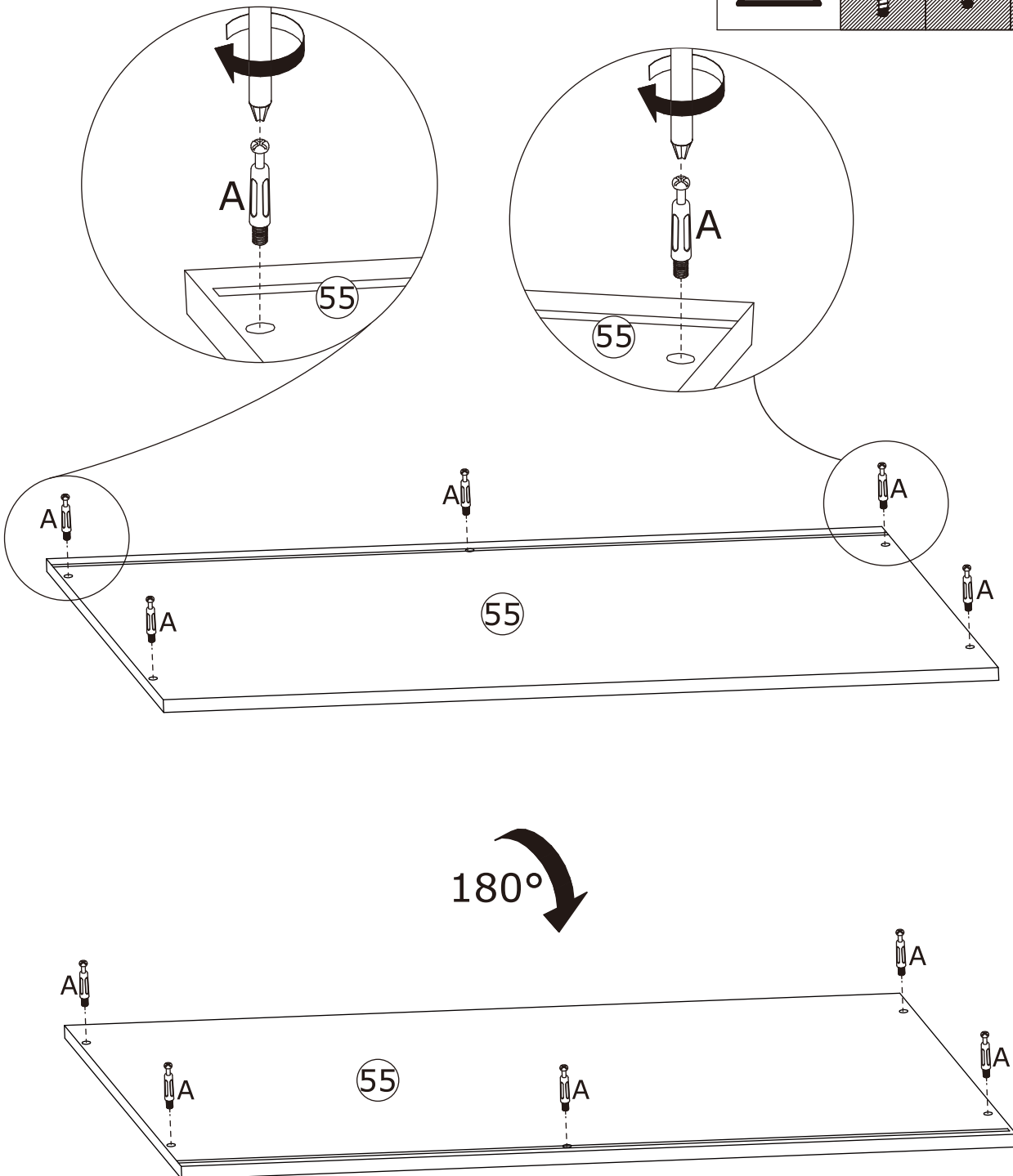
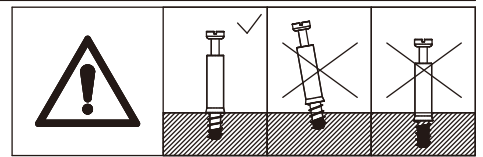
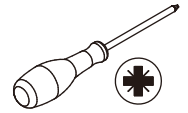
A x 10
Ø6 x 35 mm



Attach hardware A to the top of plate 7 as shown.

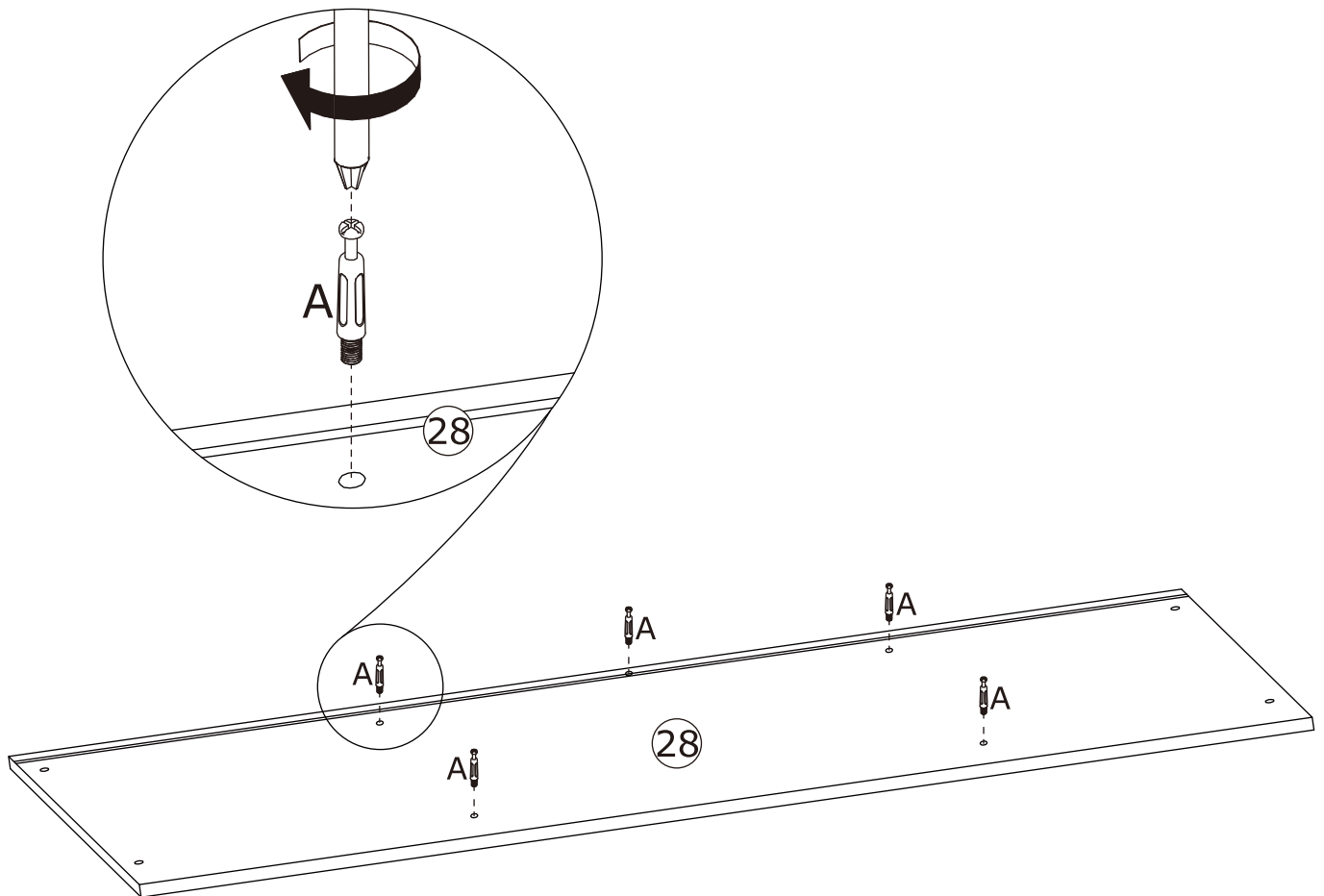
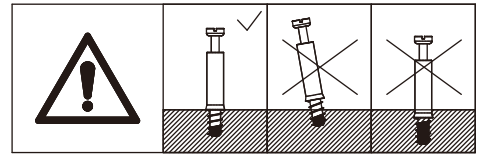
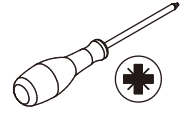
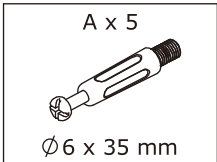
23

A x 10
Ø6 x 35 mm



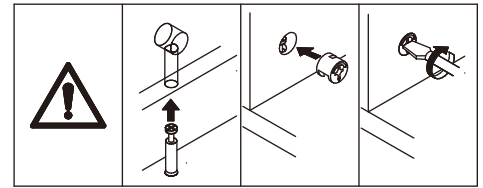
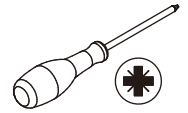
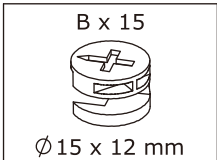
Attach hardware A to the top of plate 55 as shown.

24

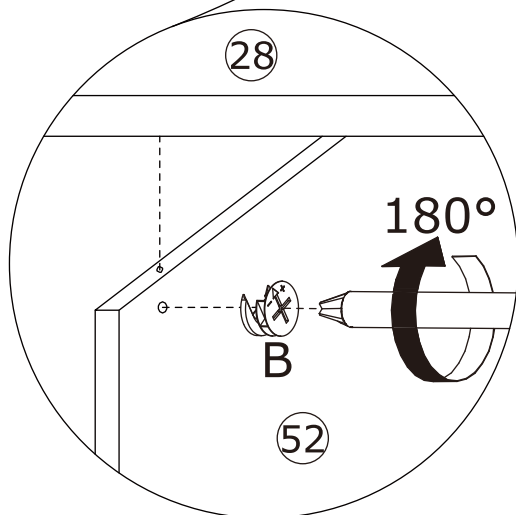
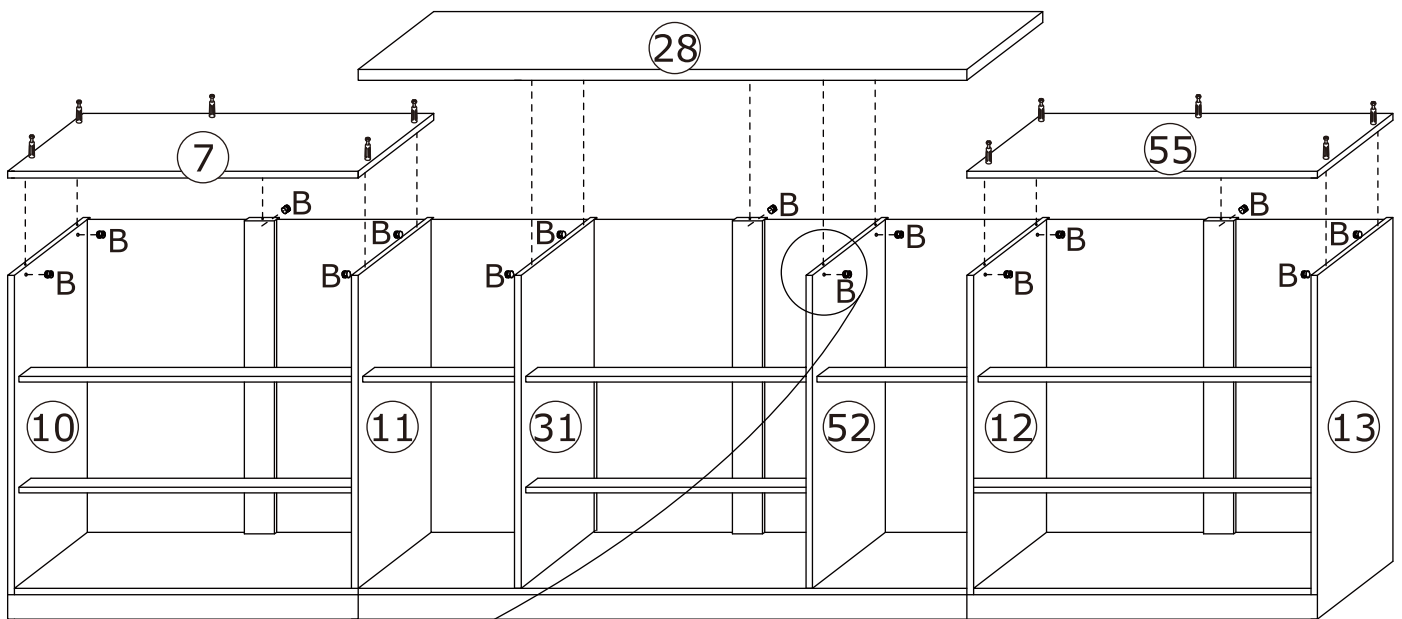


Attach hardware A to the top of plate 28 as shown.

25

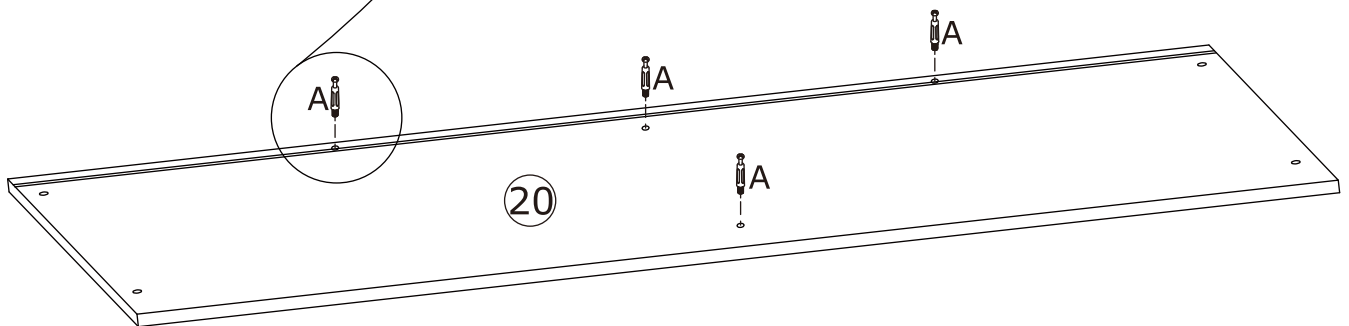
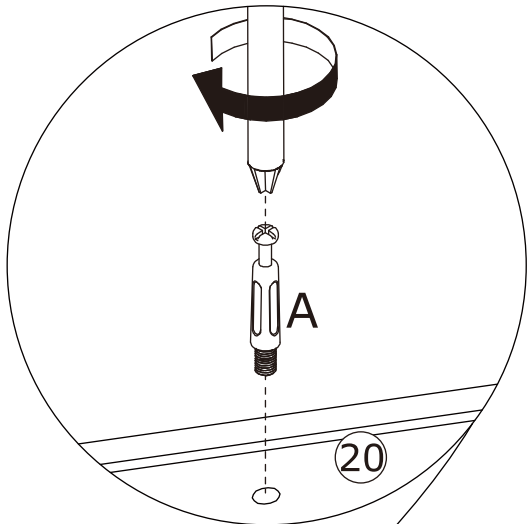
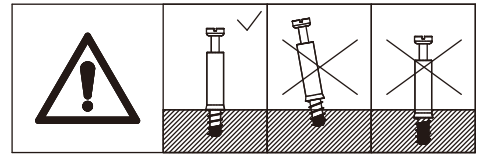
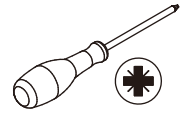


Assemble parts 7, 28, and 55 to the top of the assembly with hardware B as shown.



26

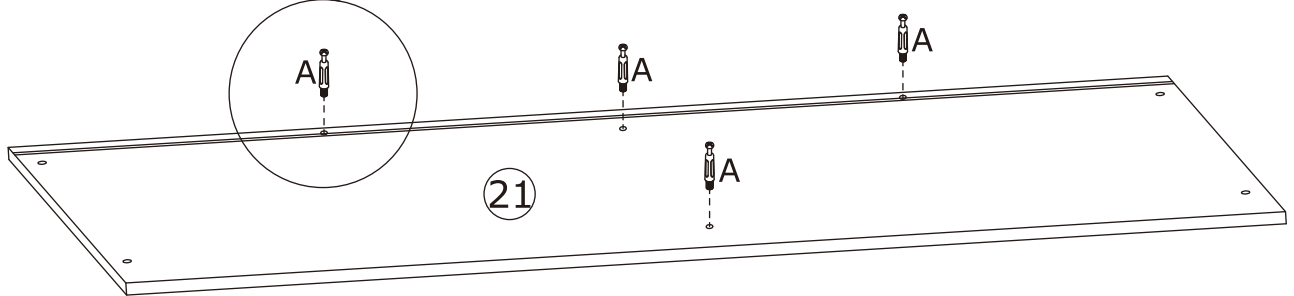
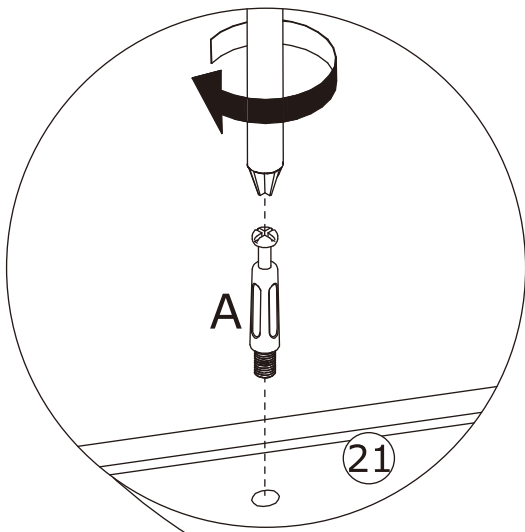
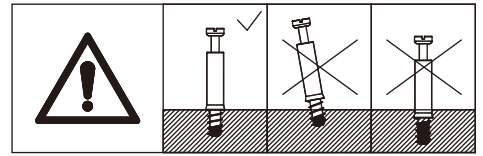
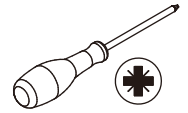
A x 4
Ø6 x 35 mm



Attach hardware A to the top of plate 20 as shown.

27

A x 8
Ø6 x 35 mm

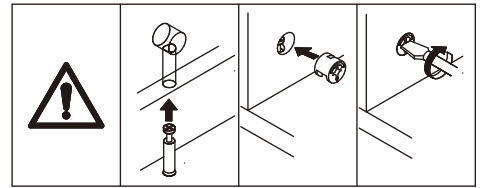
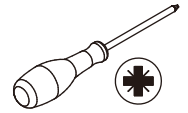
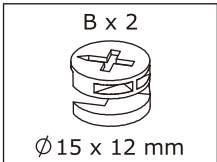


180°

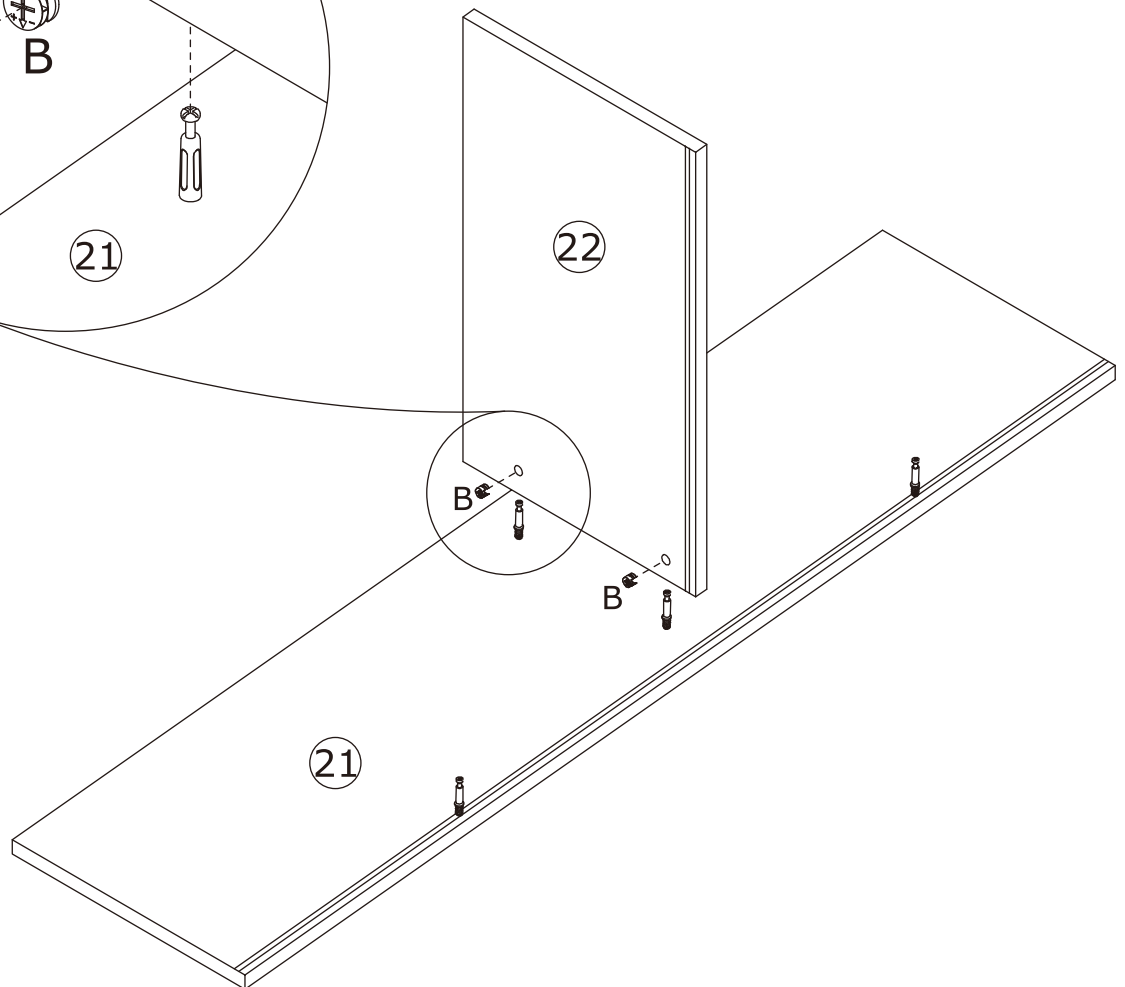
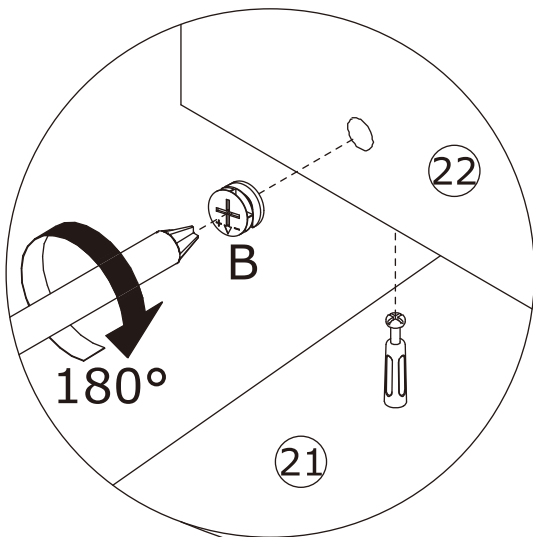


Attach hardware A to the top of plate 21 as shown.

28

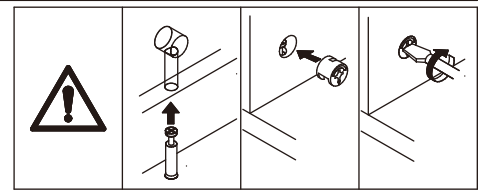
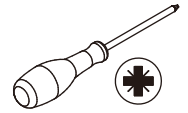


Secure part 22 to part 21 with hardware B as shown.

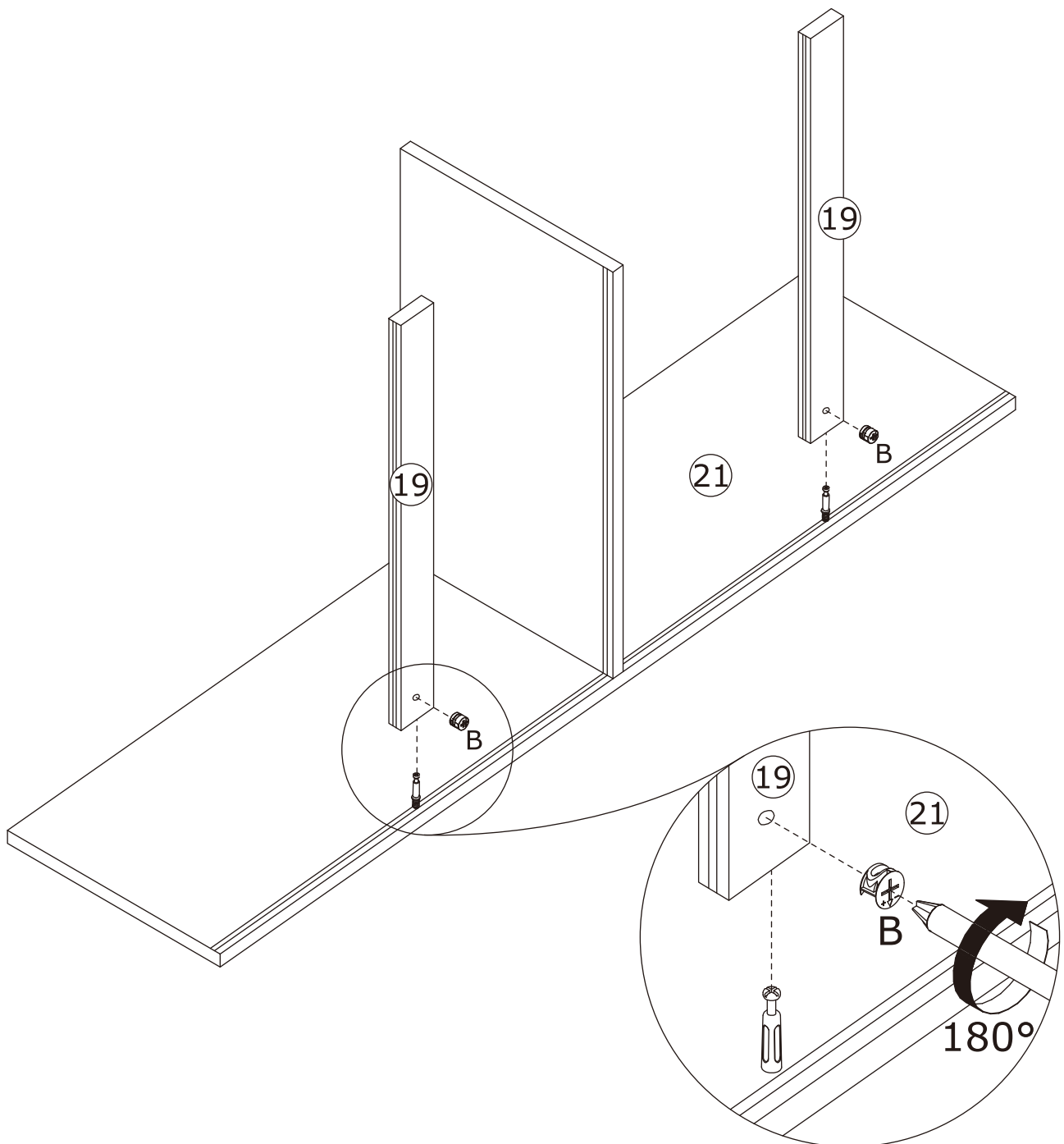


29

B x 2
Ø 15 x 12 mm

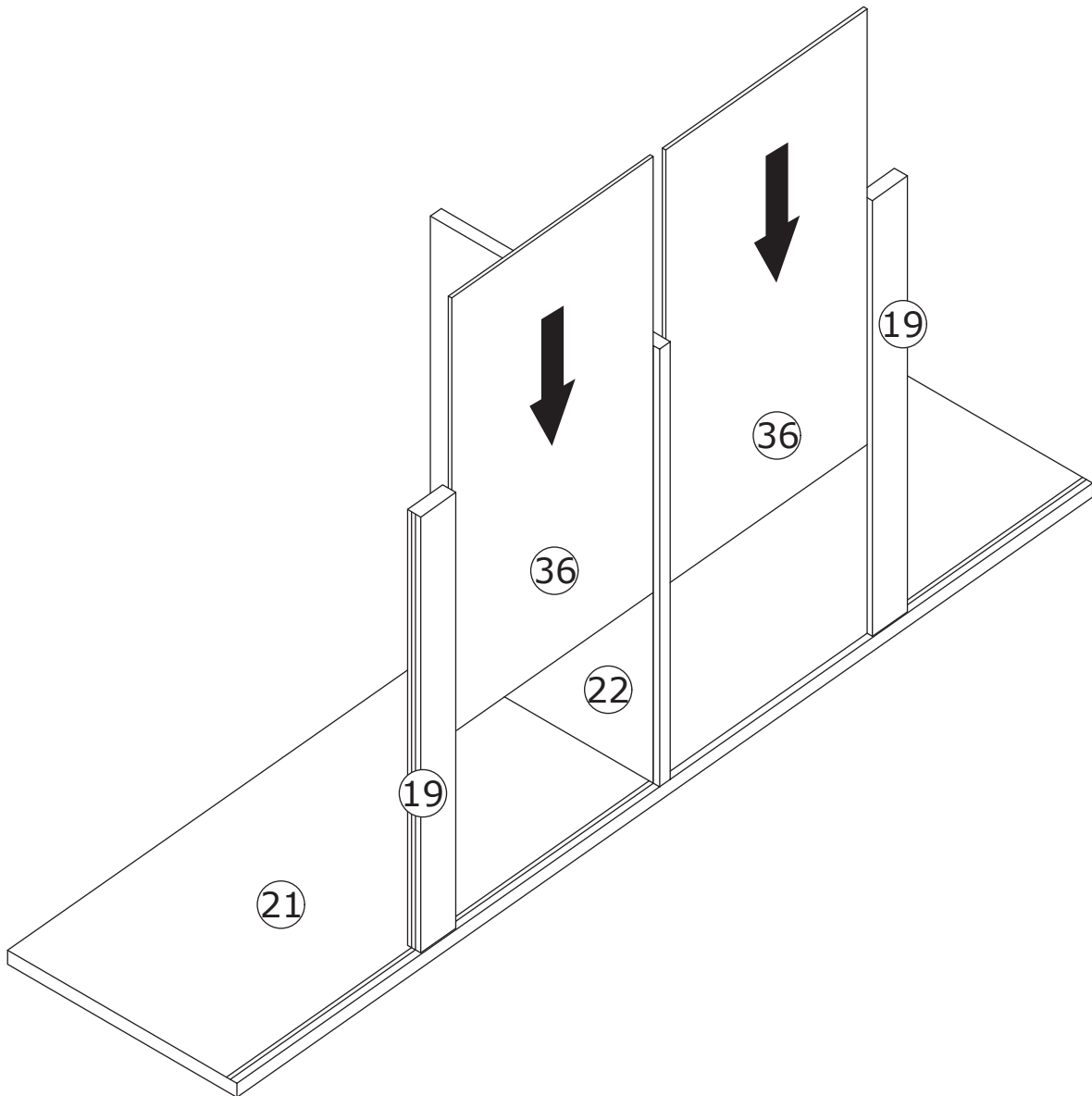


Secure part 19 to part 21 with hardware B as shown.



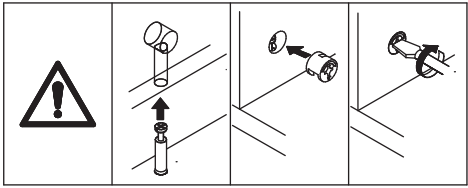
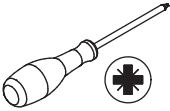
30

Insert part 36 along grooves.

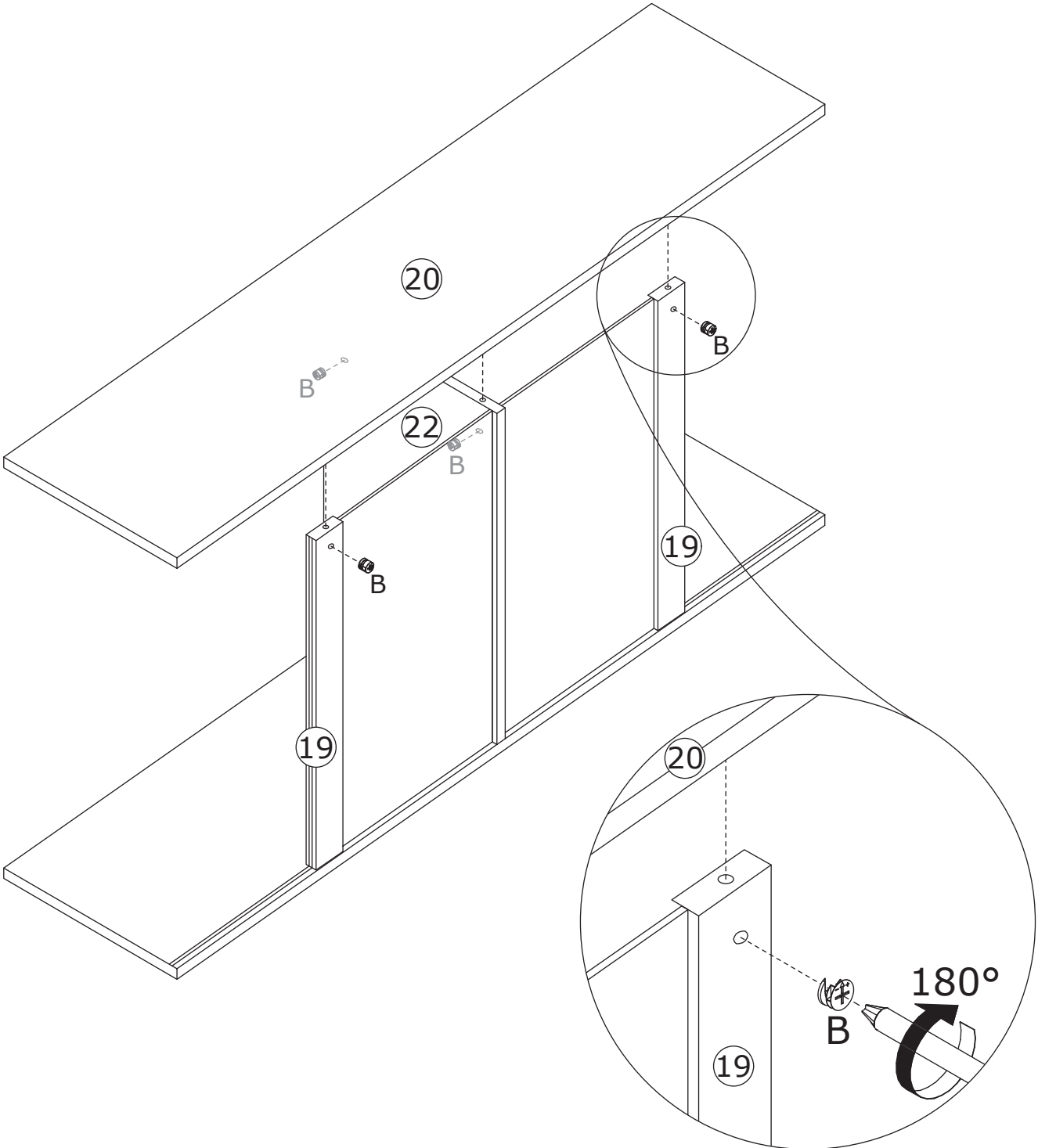


31

B x 4
Ø15 x 12 mm

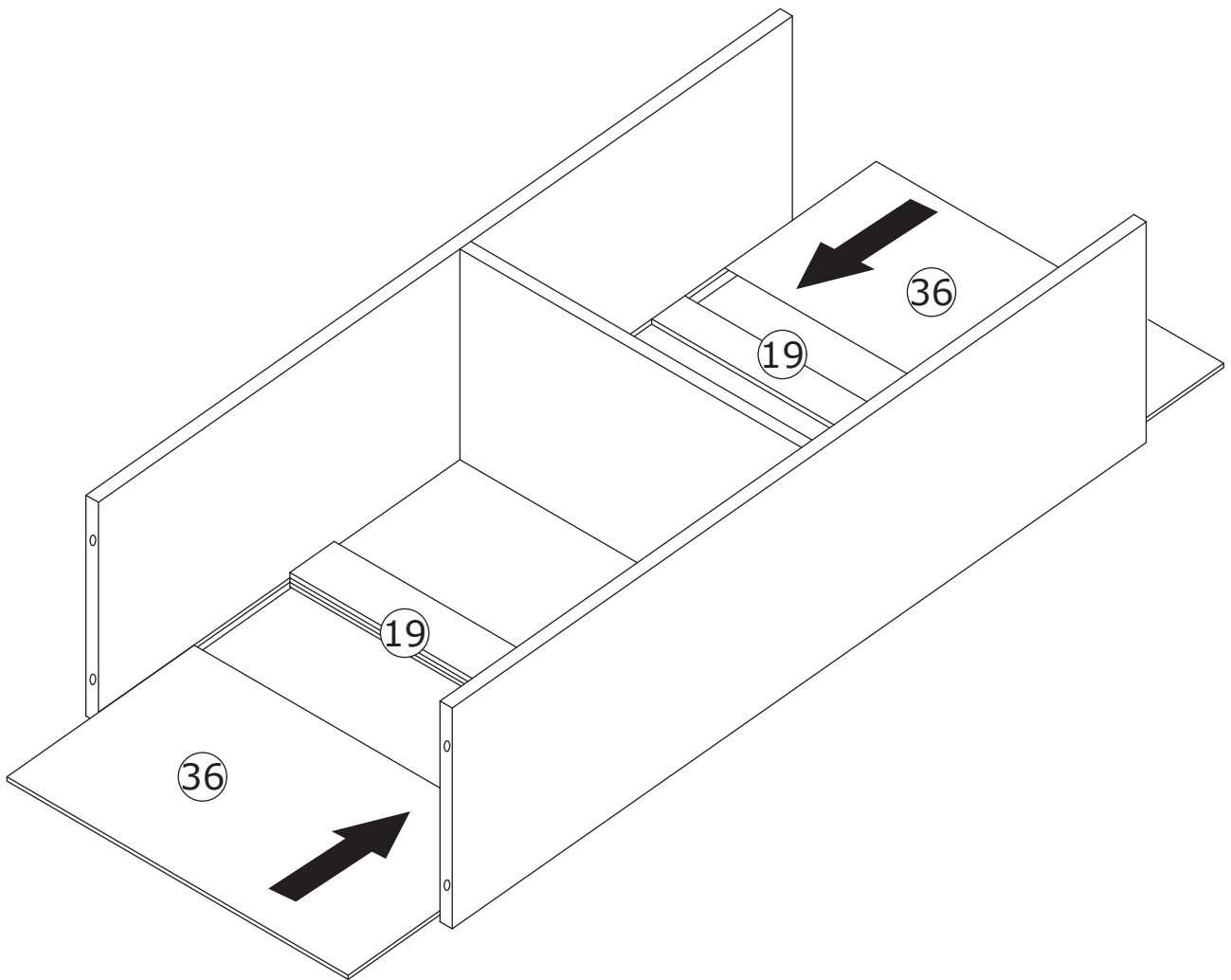


Secure part 20 to the assembly, and put eccentric wheel B in the corresponding holes and tighten it.



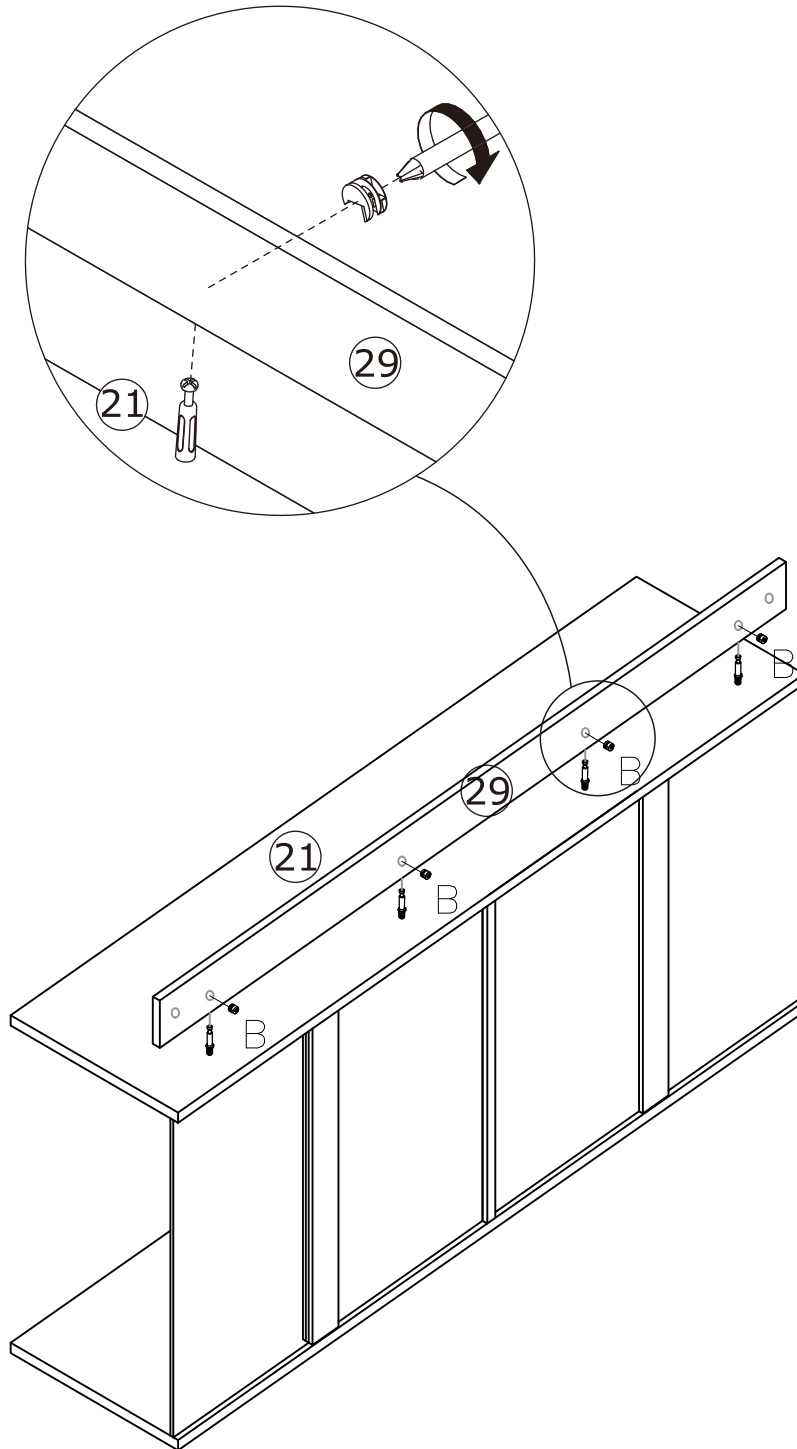
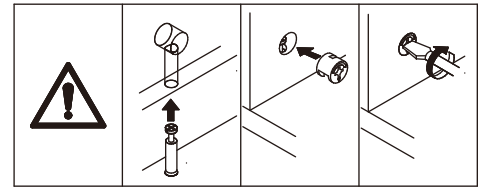
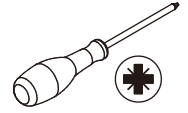
32

Insert part 36 along grooves.



33

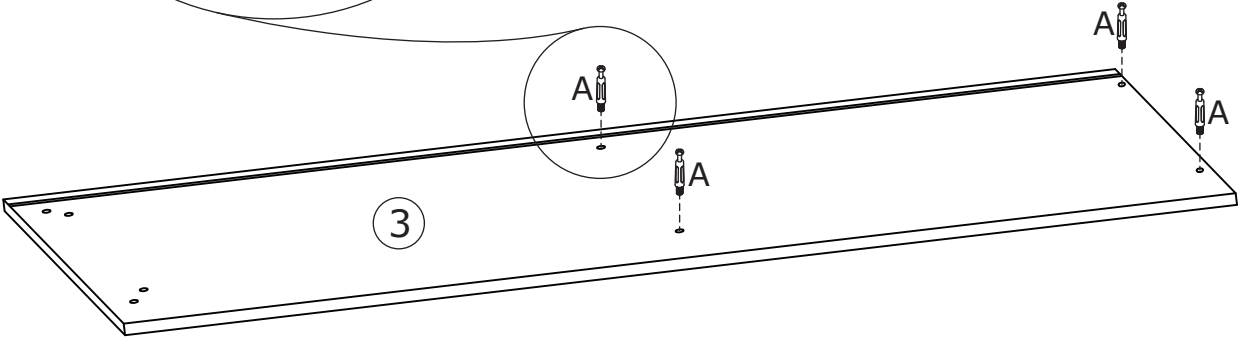
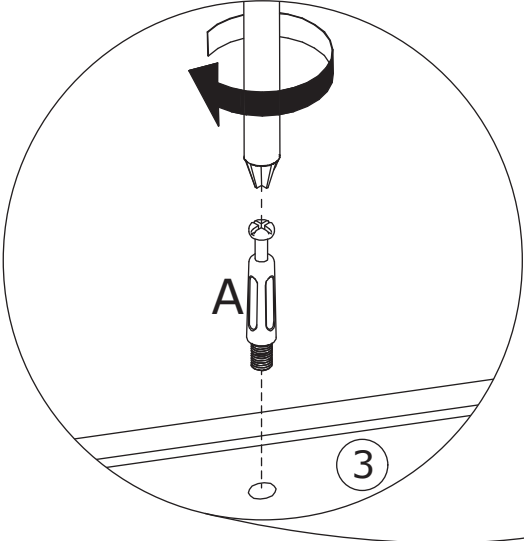
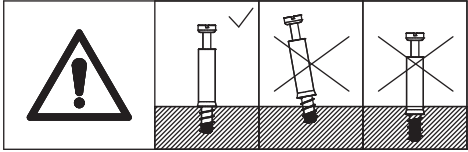
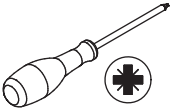
B x 4
Ø 15 x 12 mm



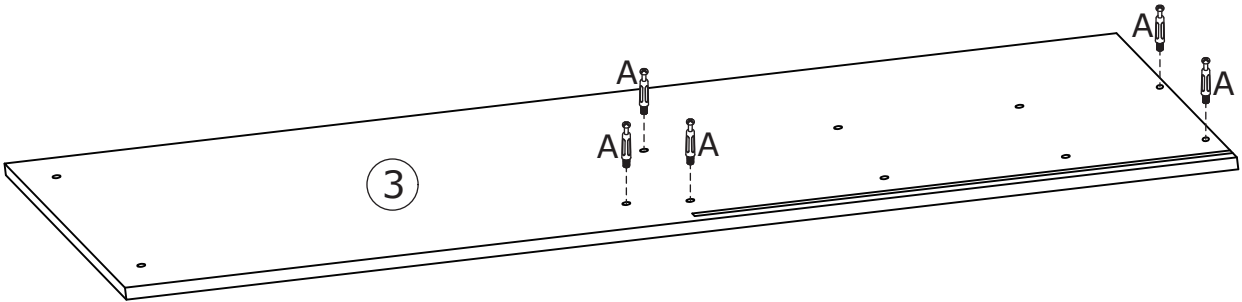
Secure part 29 to part 21 with hardware B as shown.

34

A x 9
Ø6 x 35 mm



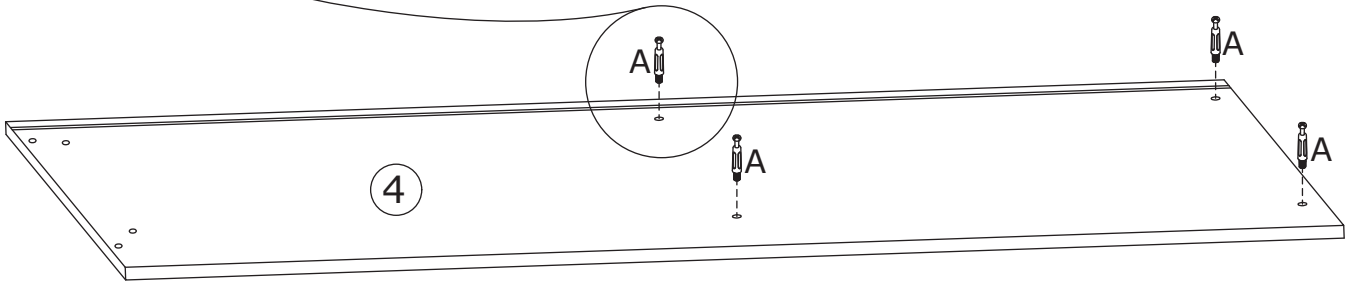
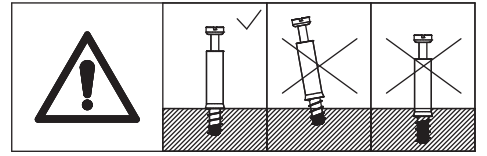
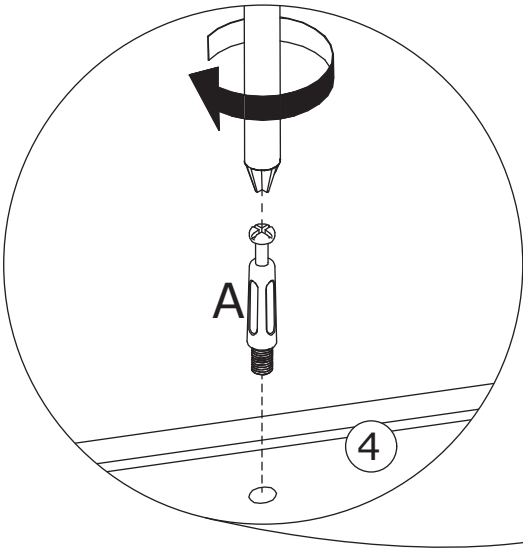
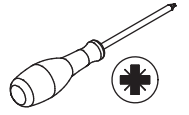
180°



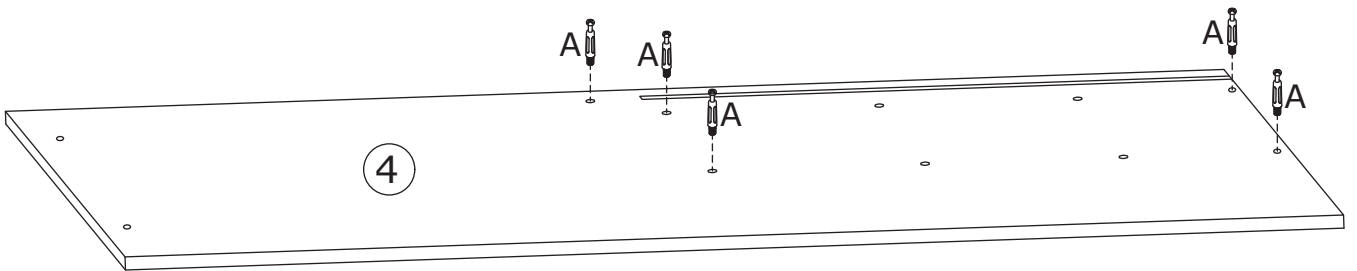
Attach hardware A to plate 3 as shown.

35

A x 9
Ø6 x 35 mm

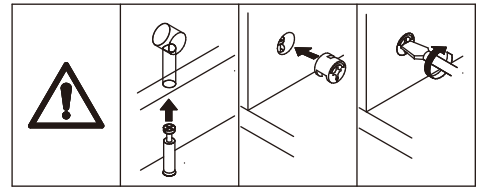
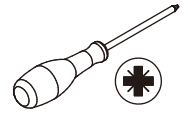
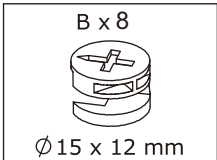


180°

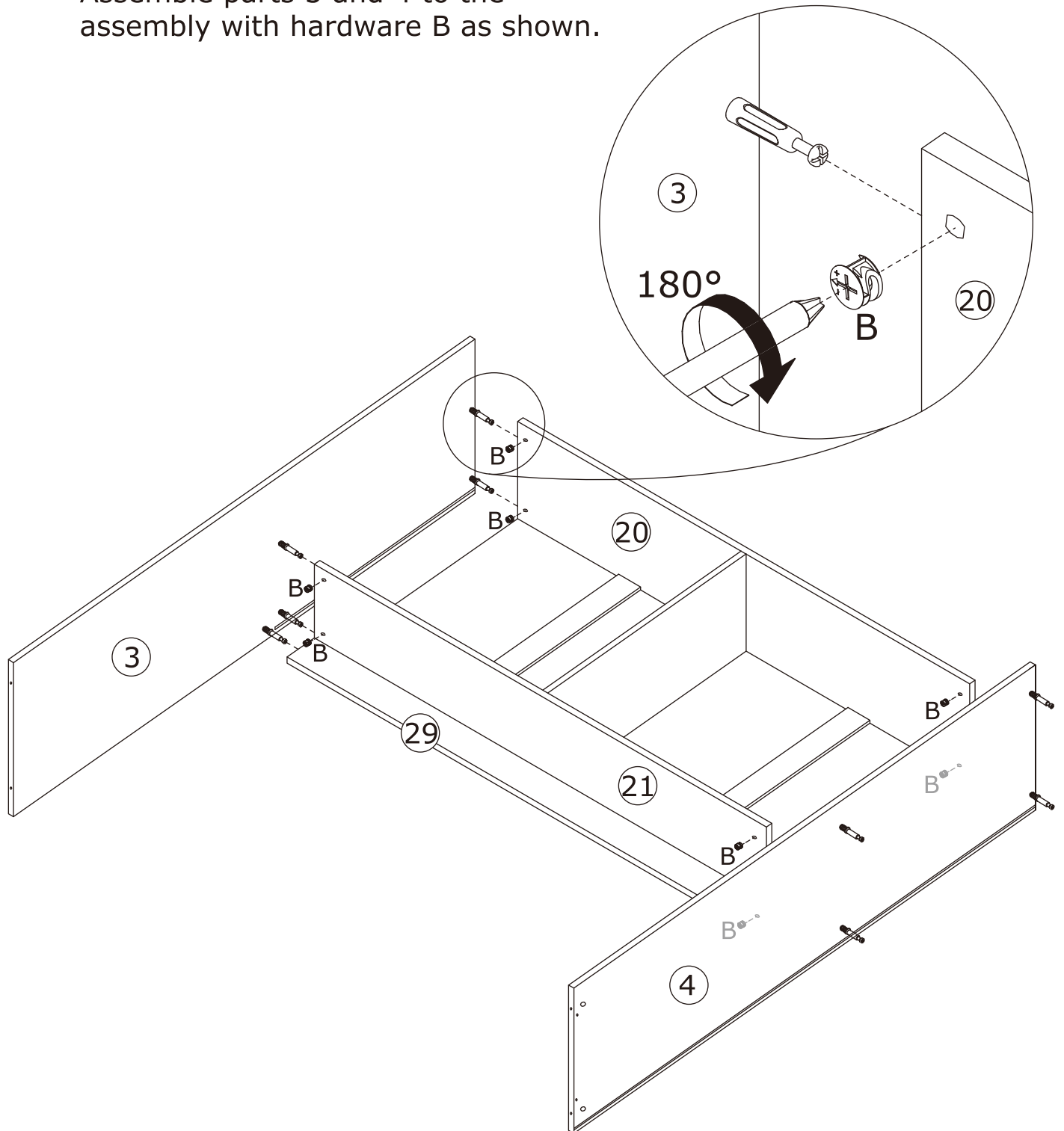


Attach hardware A to plate 4 as shown.

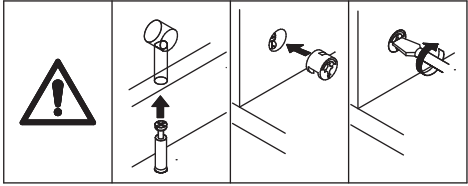
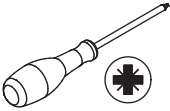
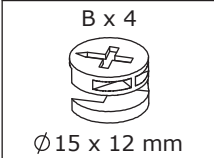
36



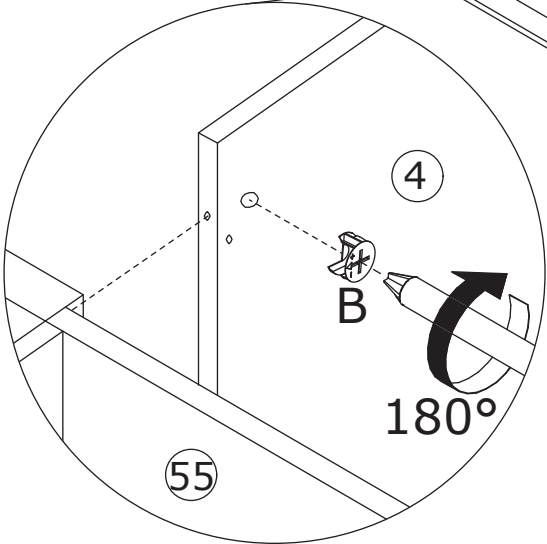
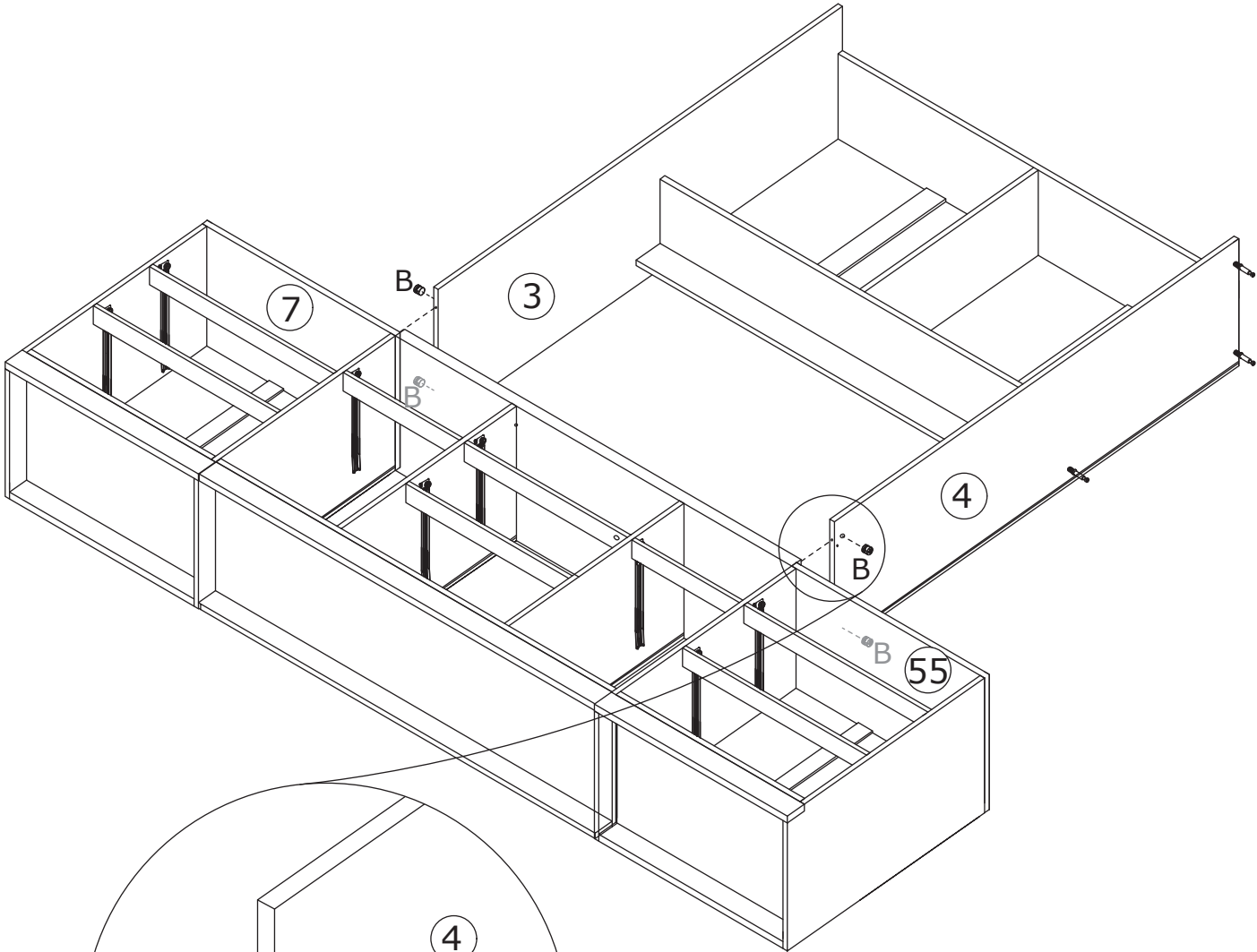
Assemble parts 3 and 4 to the assembly with hardware B as shown.



37

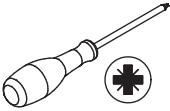


Assemble the 2 components together,
put eccentric wheel B in the
corresponding holes and tighten it.

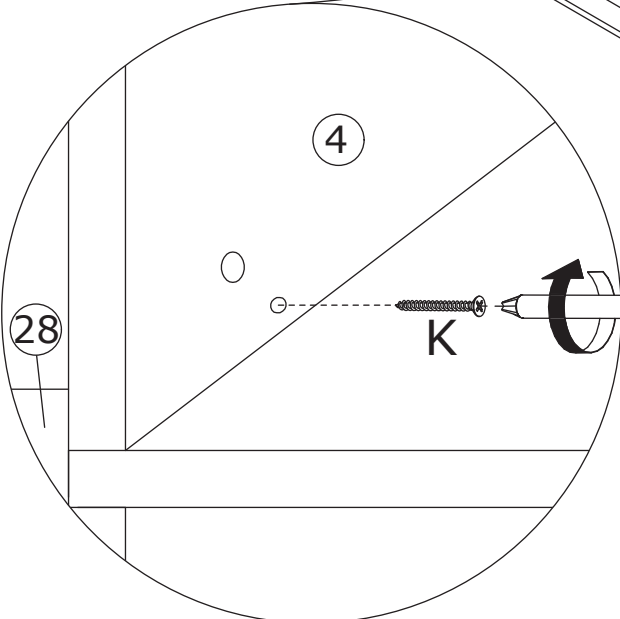
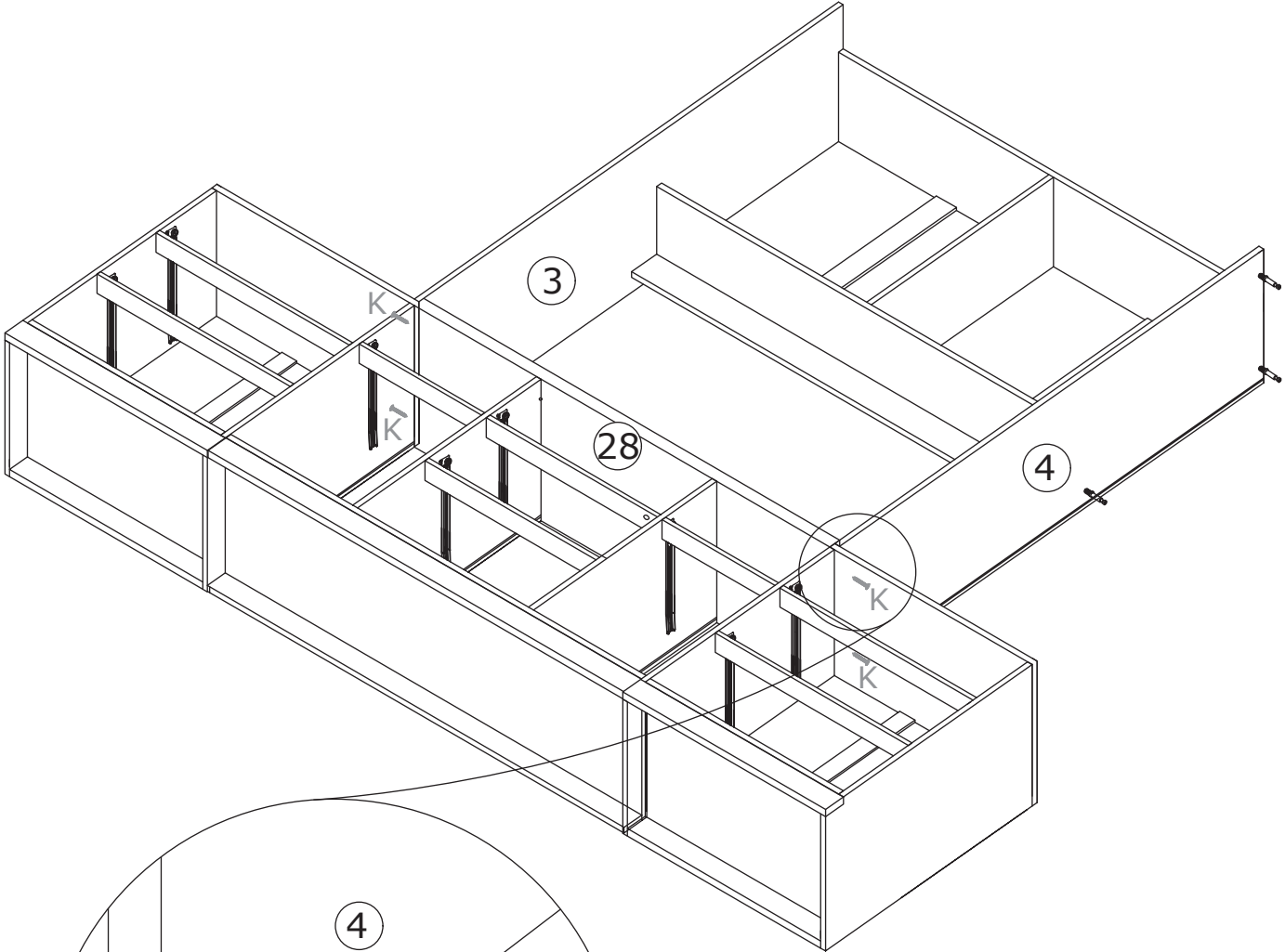


38

K x 4
Ø4 x 30 mm

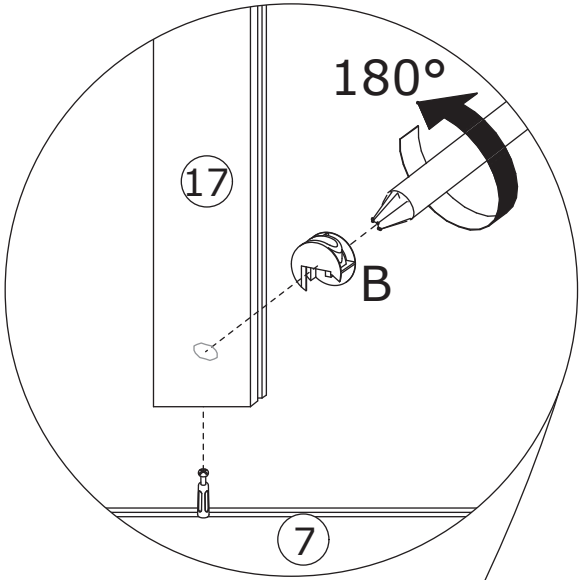
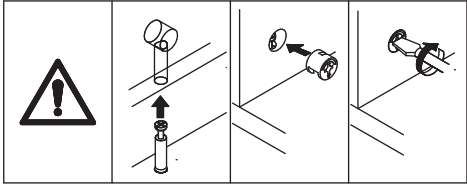
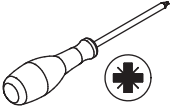


Reinforce the two parts again with hardware K as shown.

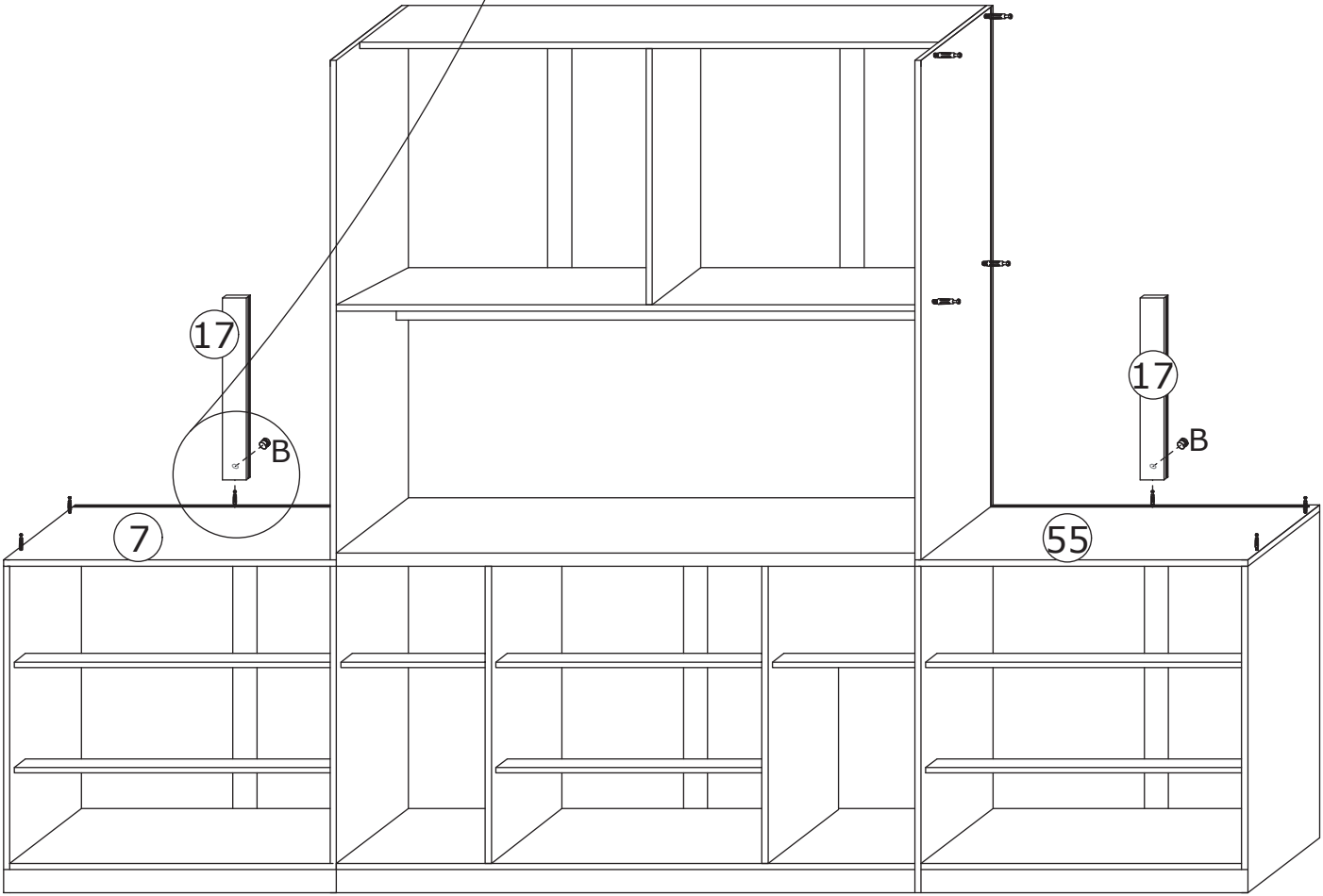


39

B x 2
Ø15 x 12 mm

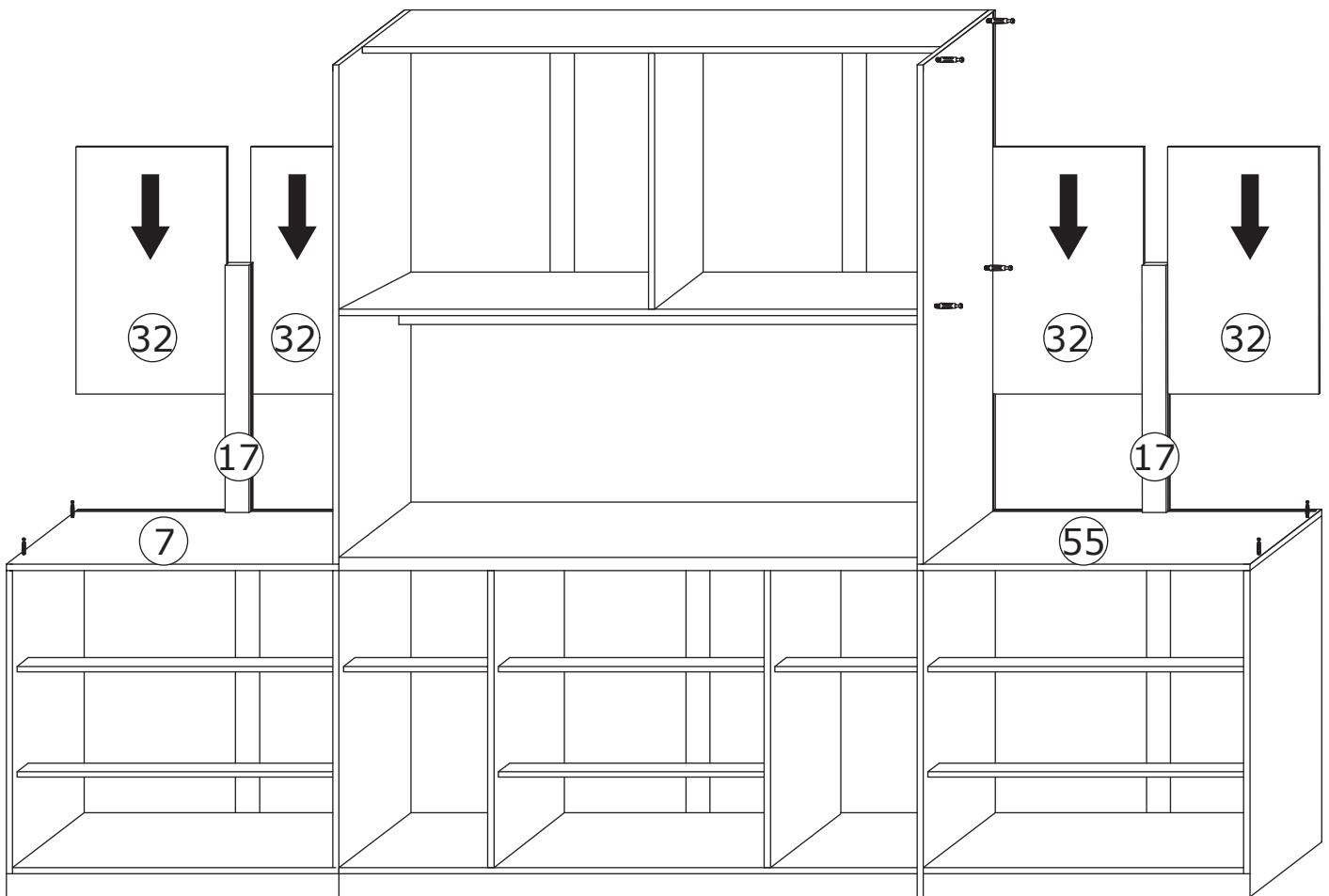


Assemble part 17 to the assembly, put eccentric wheel B into holes and tighten it.



40

Insert part 32 along grooves.

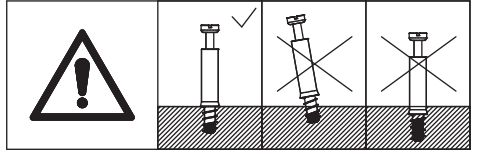
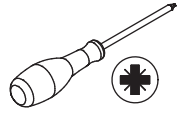


41

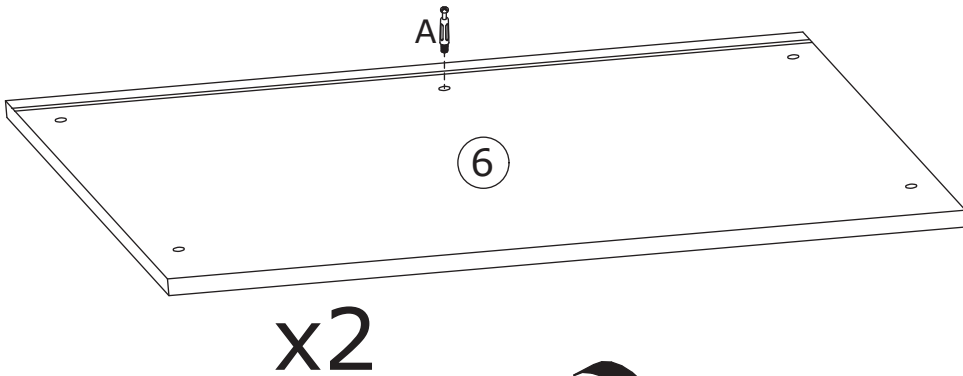
A x 6



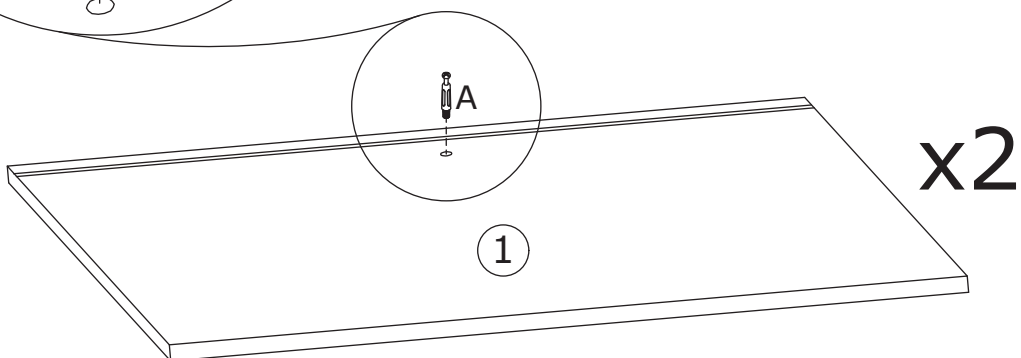
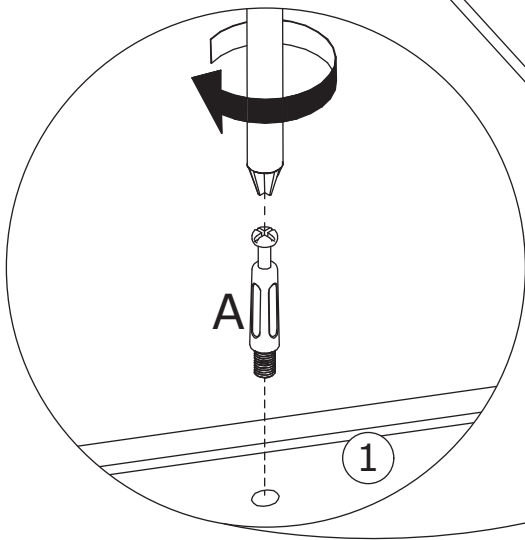
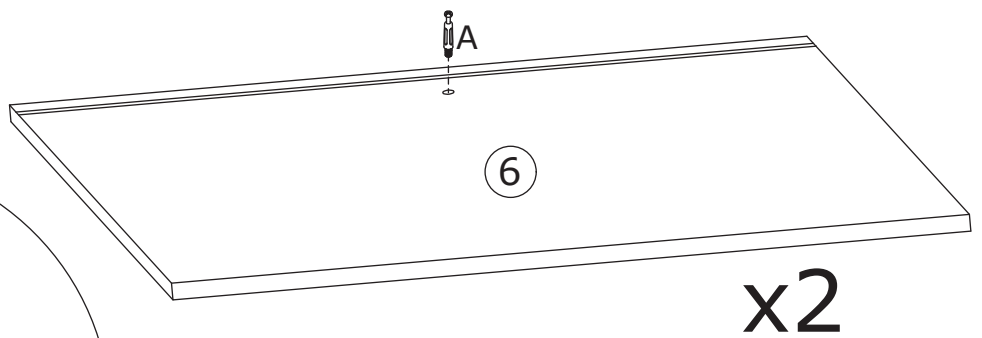
Ø6 x 35 mm



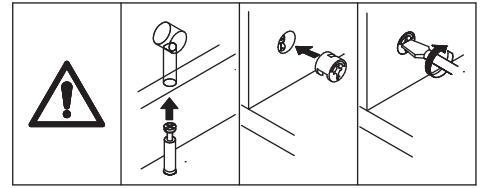
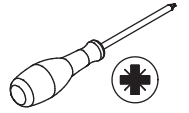
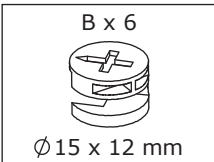
Attach hardware A to plate 6 and 1 as shown.



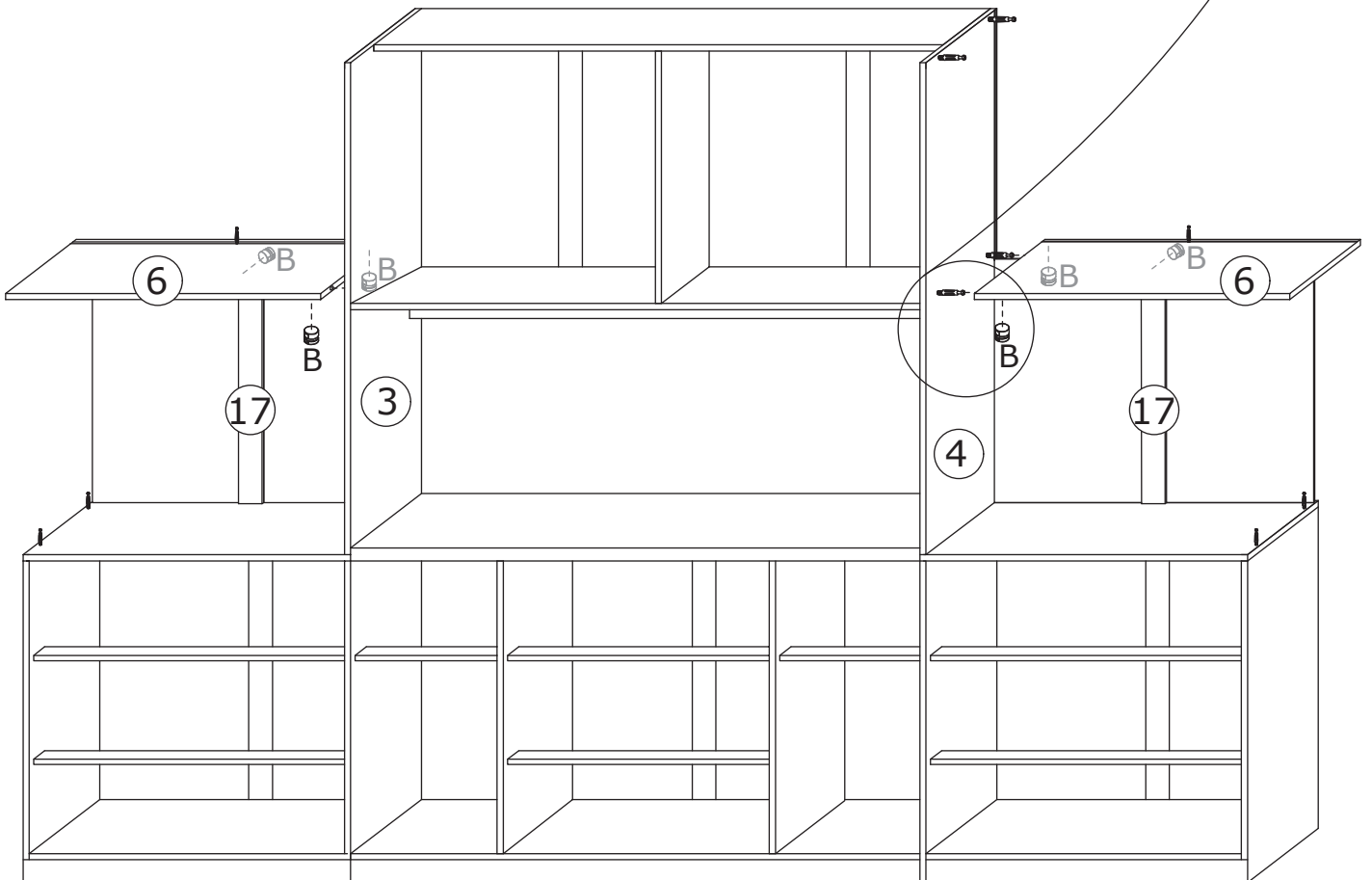
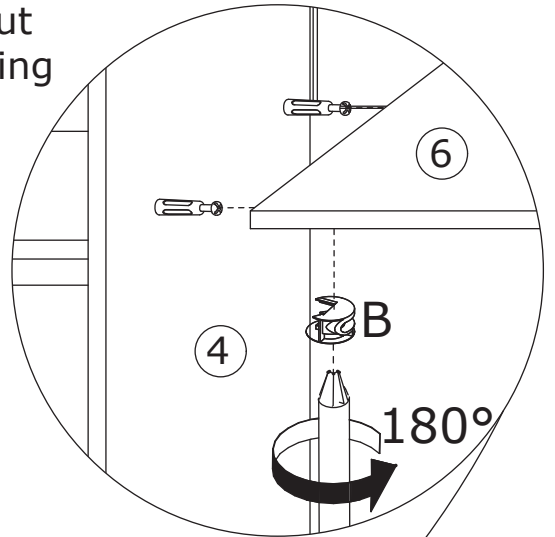
180°



42

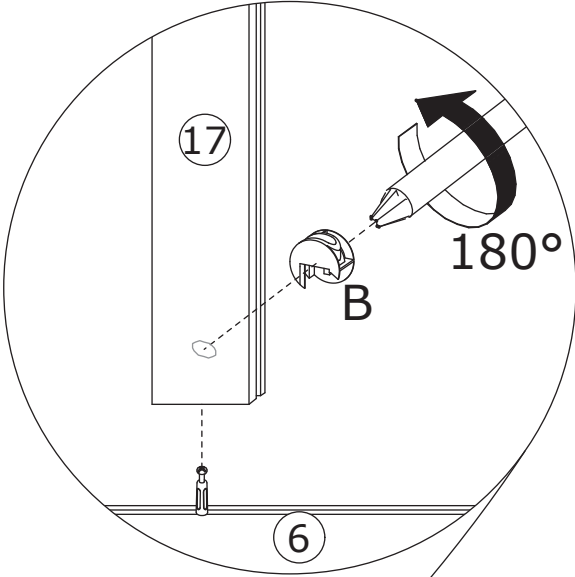
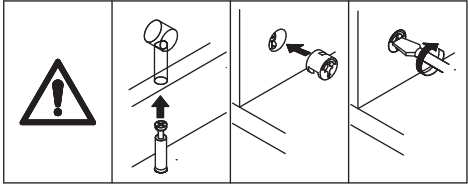
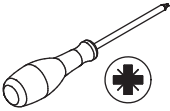


Assemble part 6 to the assembly, put eccentric wheel B in the corresponding holes and tighten it.

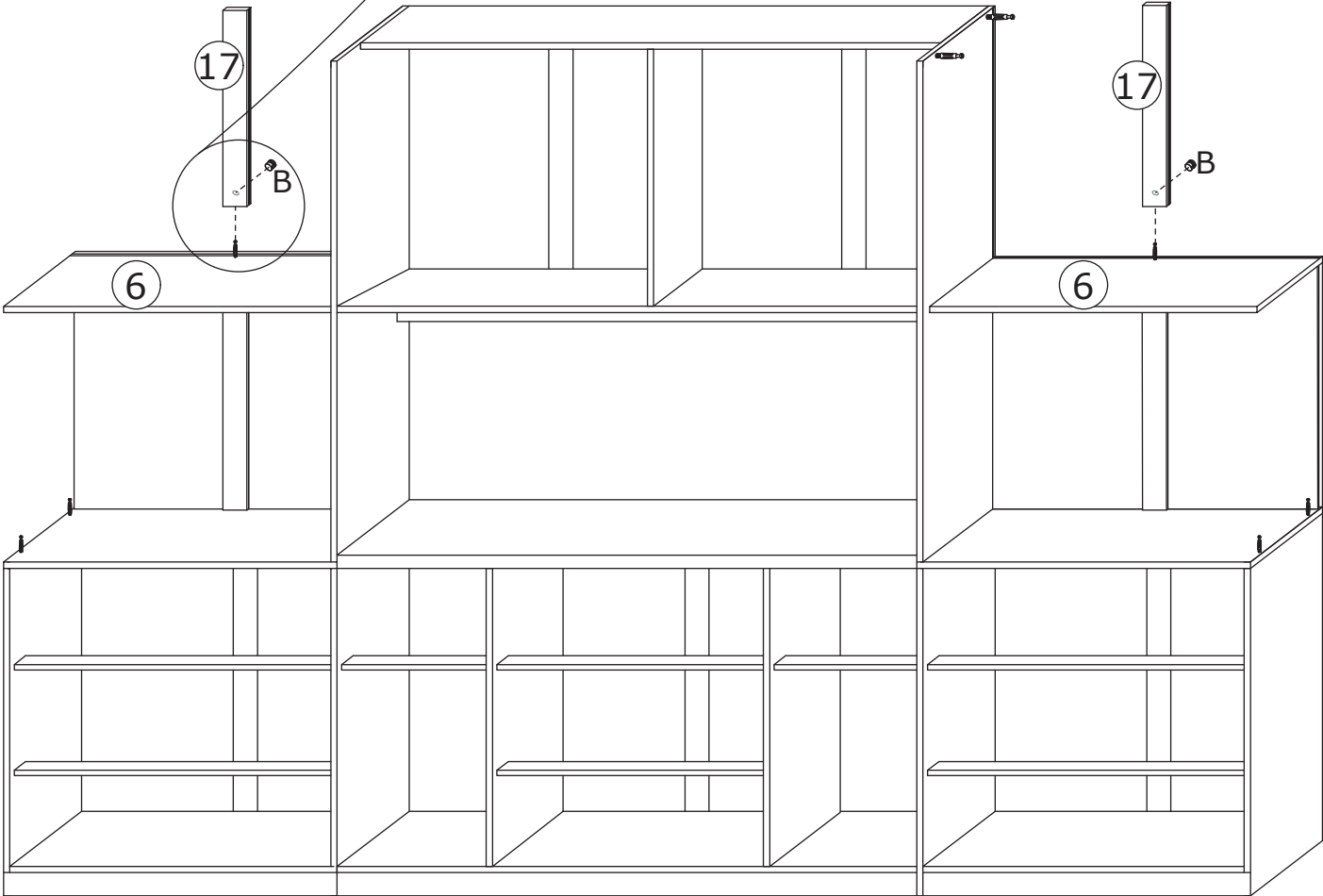


43

B x 2
Ø15 x 12 mm

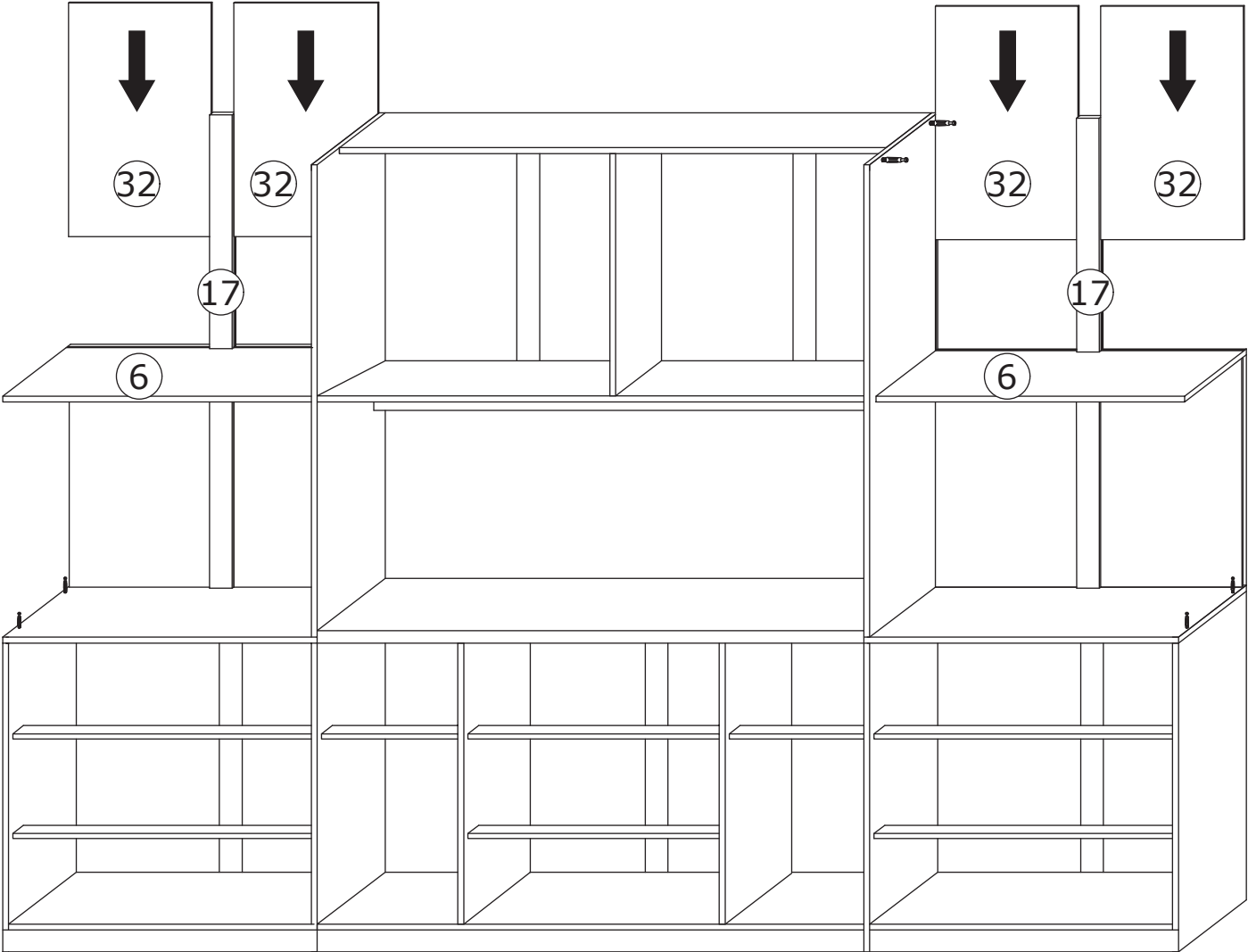


Assemble part 17 to the assembly, put eccentric wheel B in the corresponding holes and tighten it.

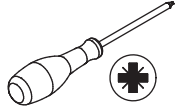
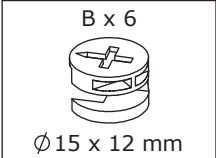


44

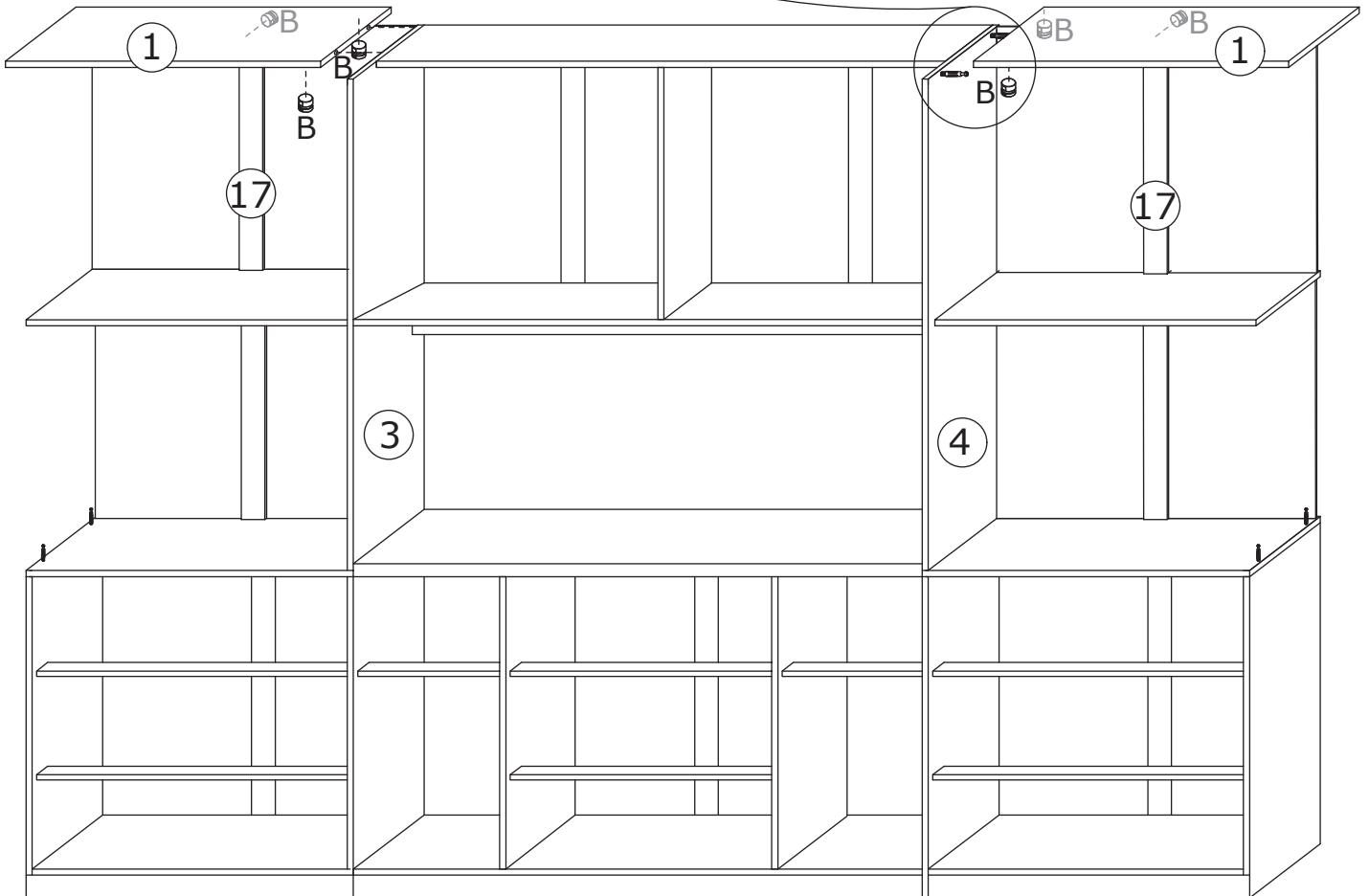
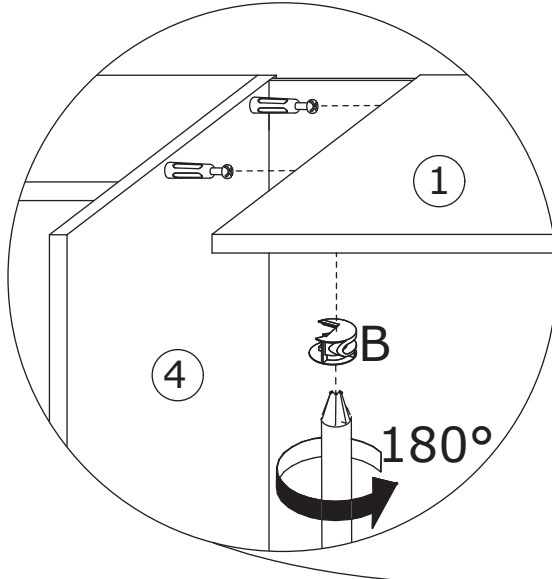
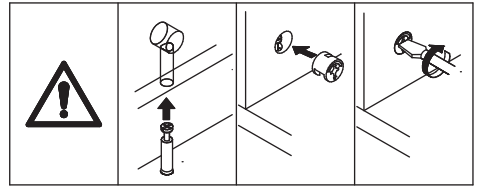
Insert part 32 along grooves.



45

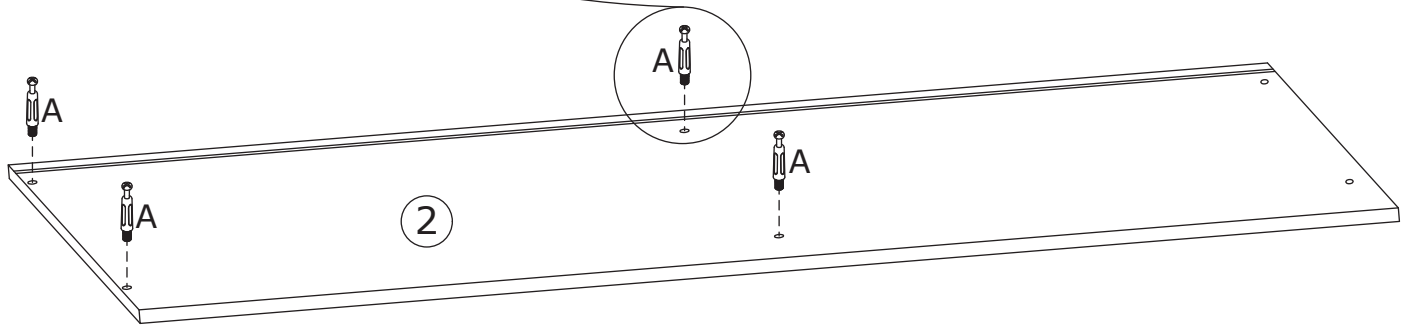
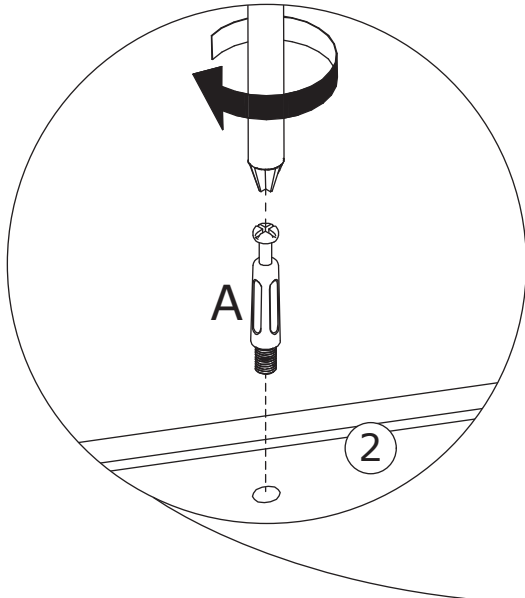
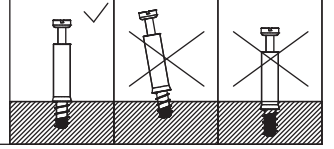
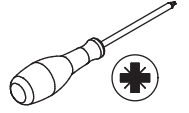
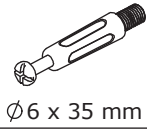


Assemble part 1 to the assembly,
put eccentric wheel B in the
corresponding holes and tighten it.



46

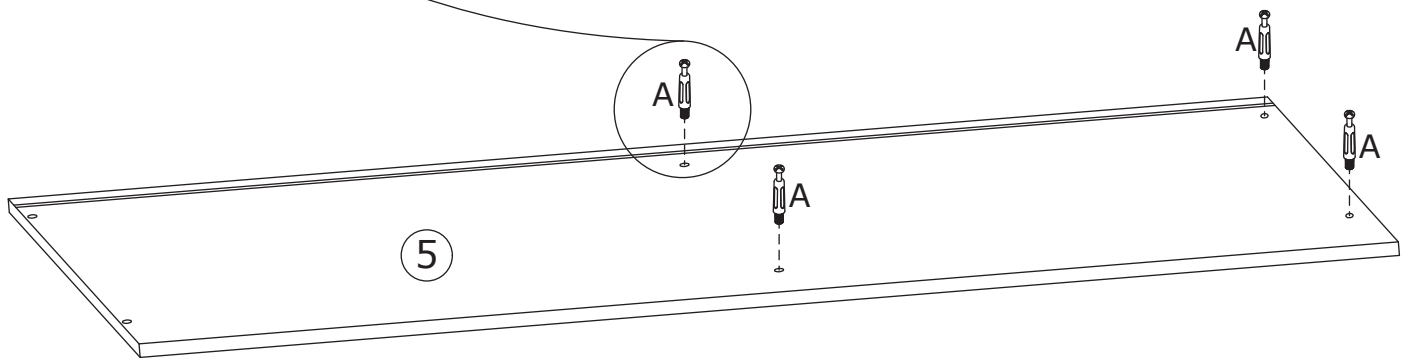
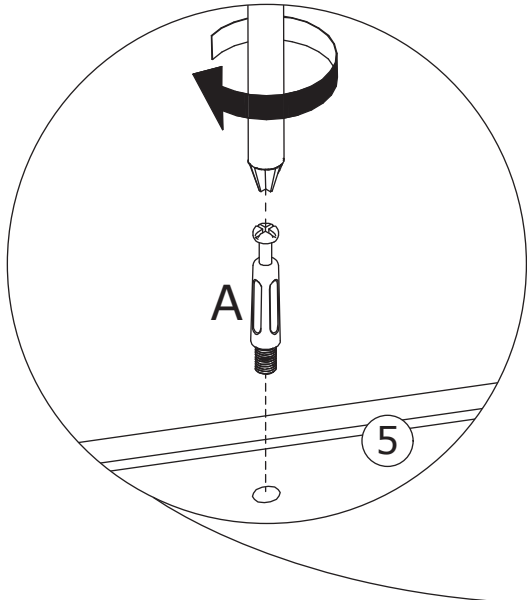
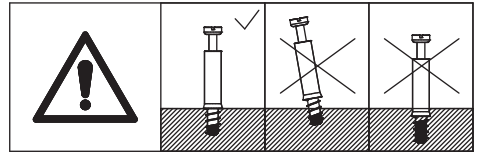
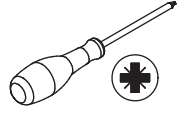
A x 4



Attach hardware A to plate 2 as shown.

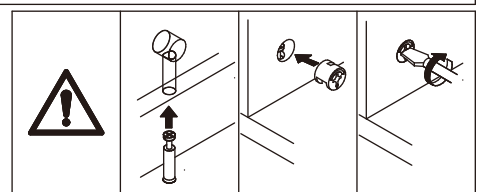
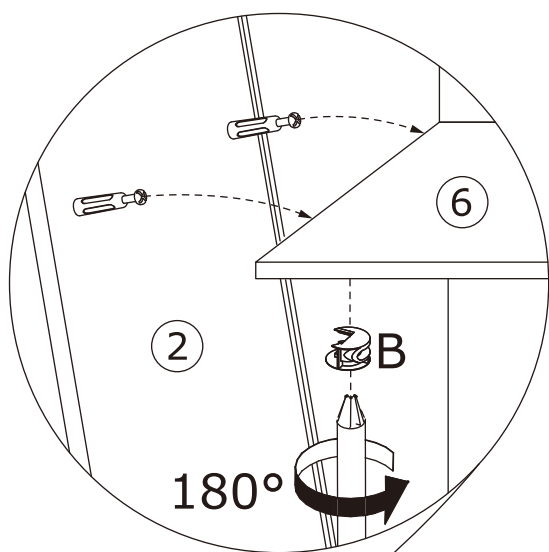
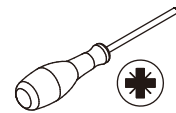
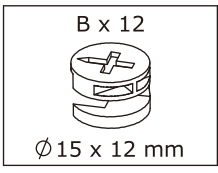
47

A x 4
Ø6 x 35 mm

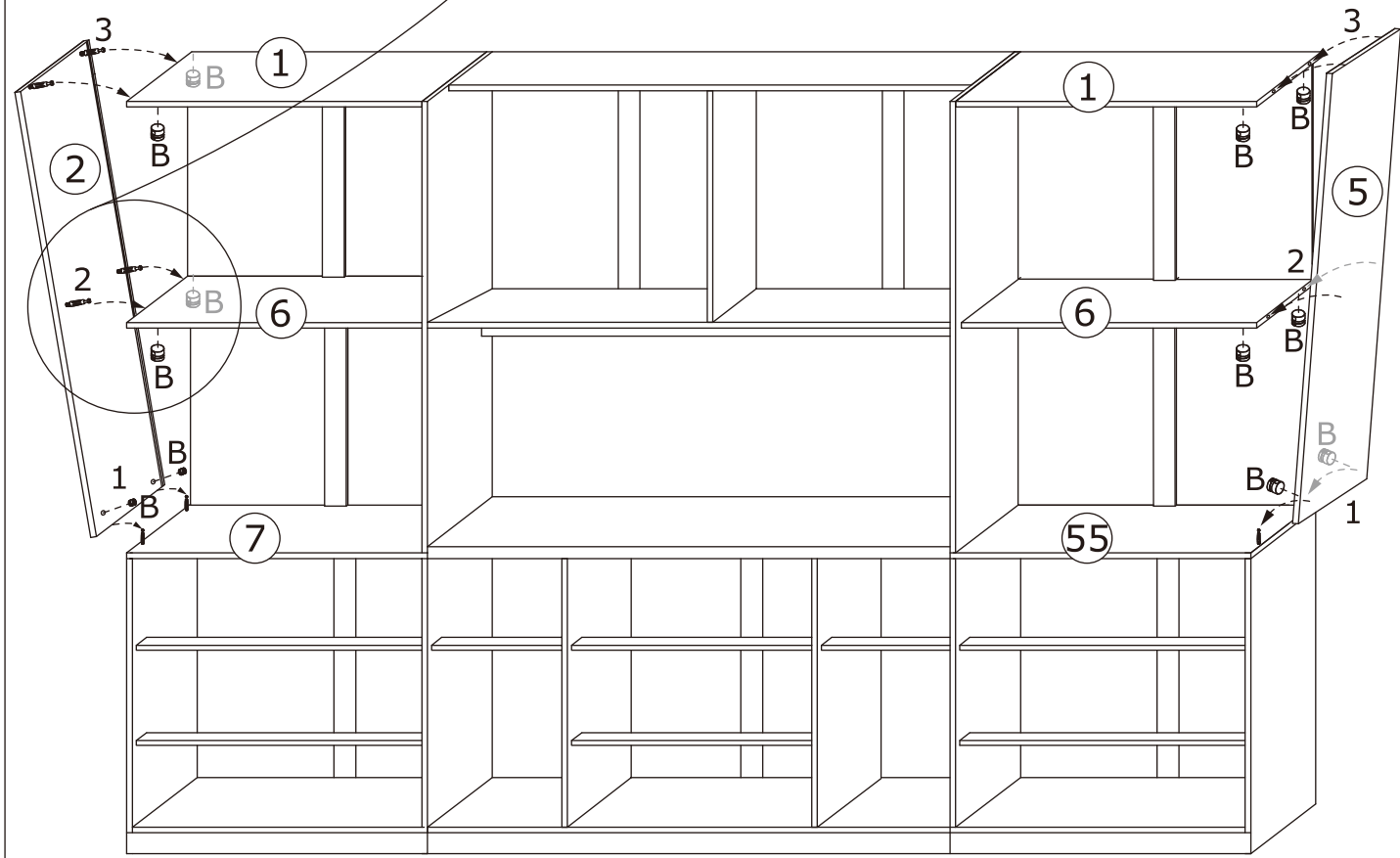


Attach hardware A to plate 5 as shown.

48



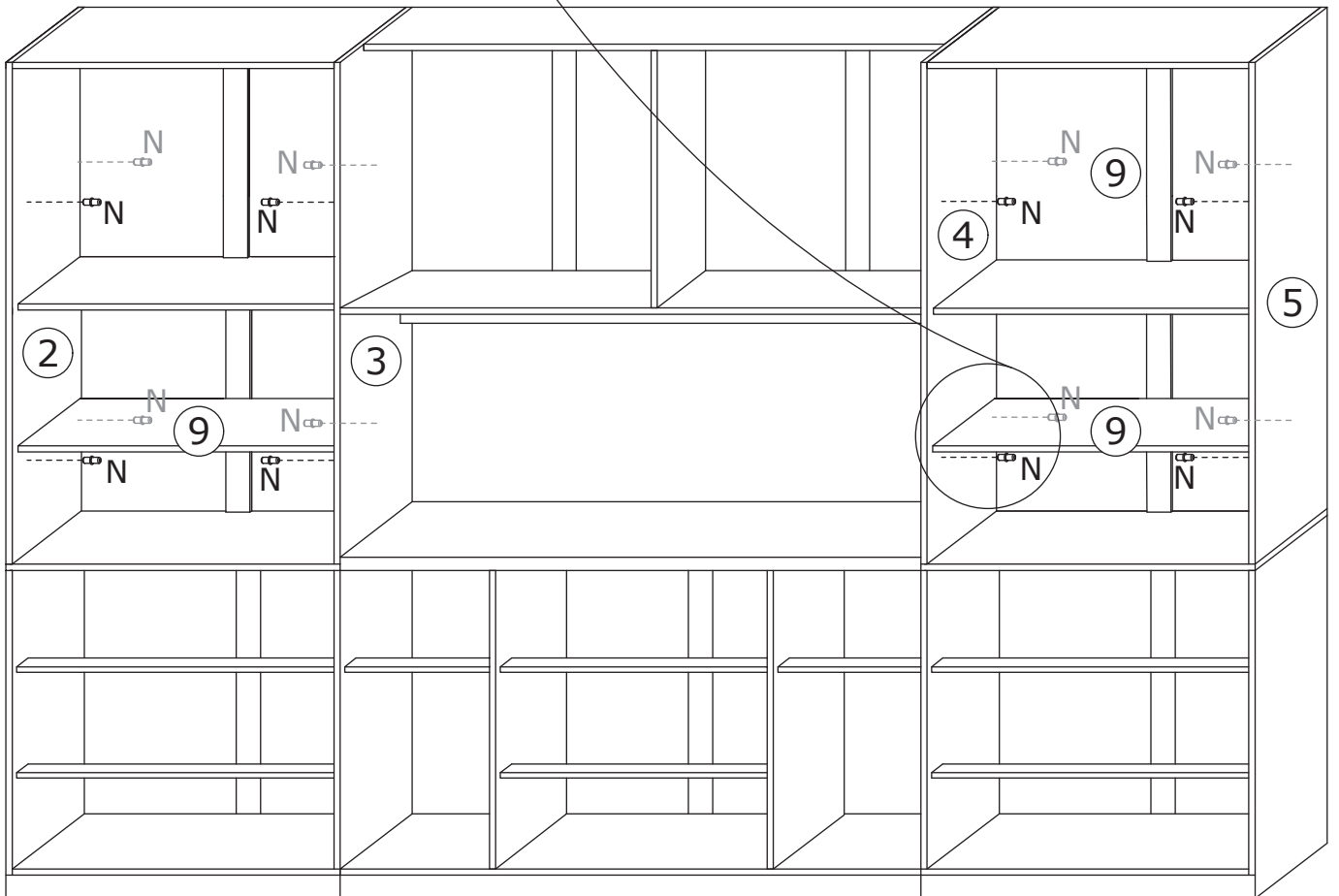
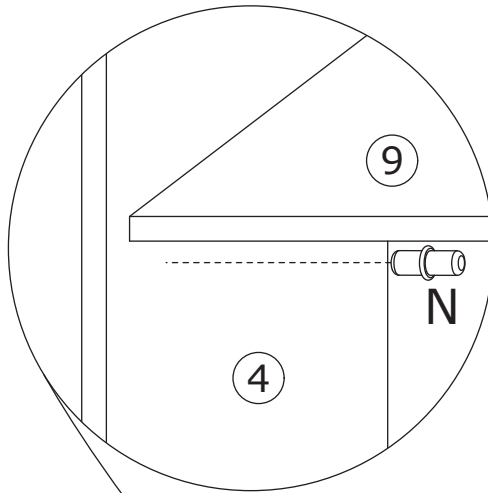
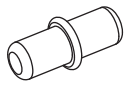
First, insert 1 set into the hole, then sequentially insert 2 and 3, and finally lock the handle.



Assemble parts 2 and 5 to the assembly with hardware B as shown.

49

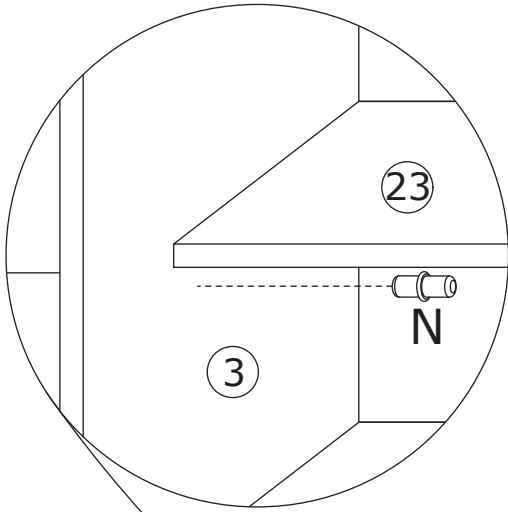
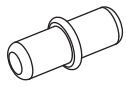
N x 16



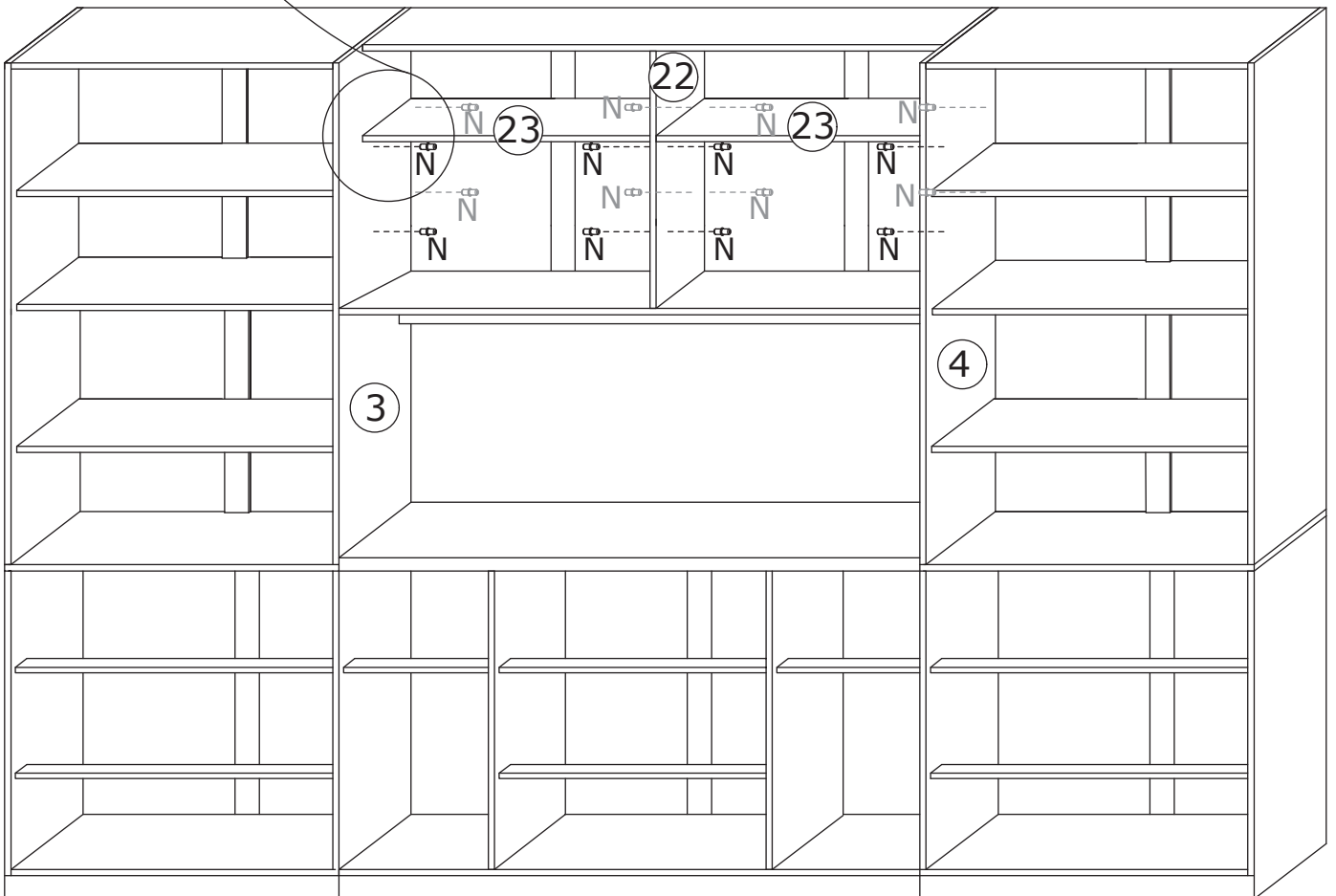
Assemble part 9 to the assembly with hardware N as shown.

50

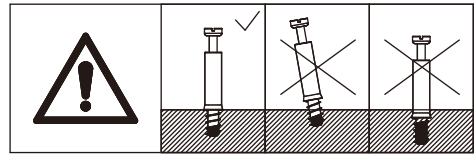
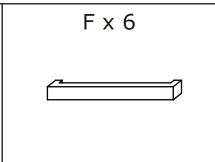
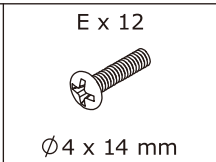
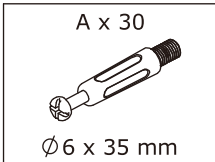
N x 16



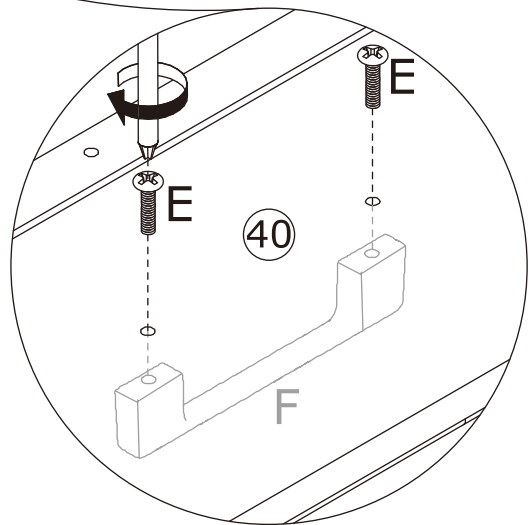
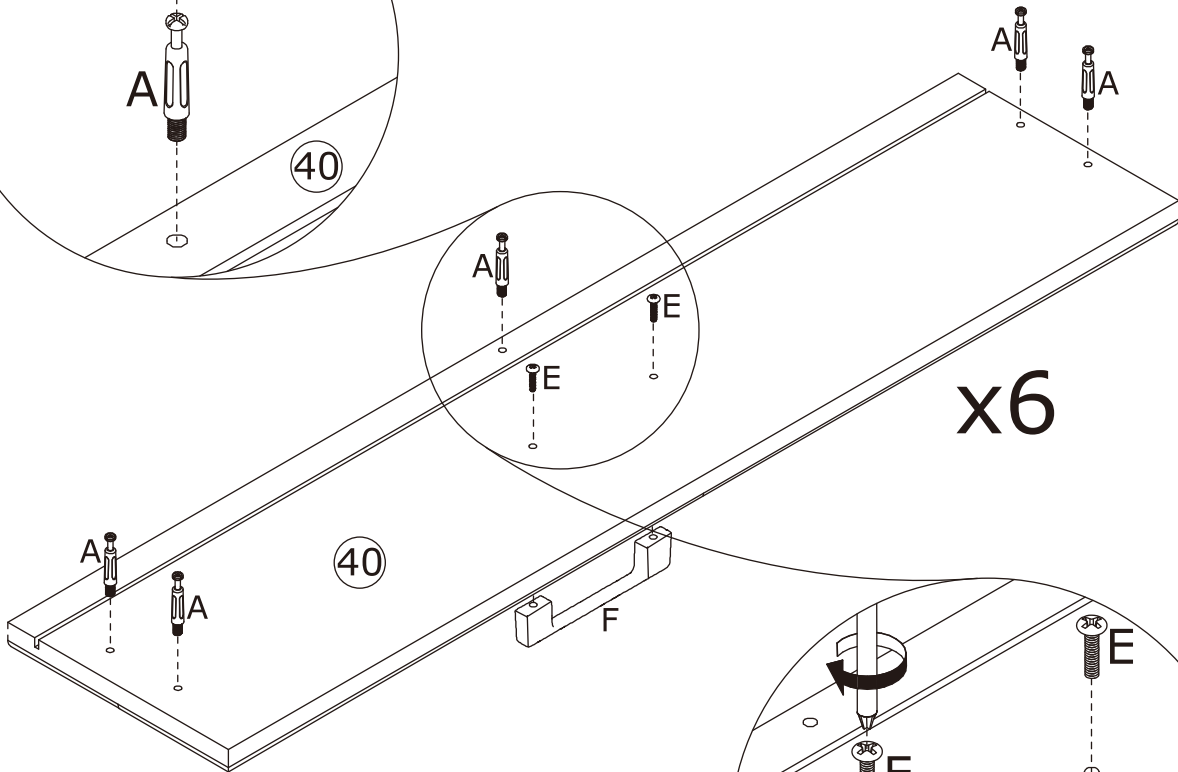
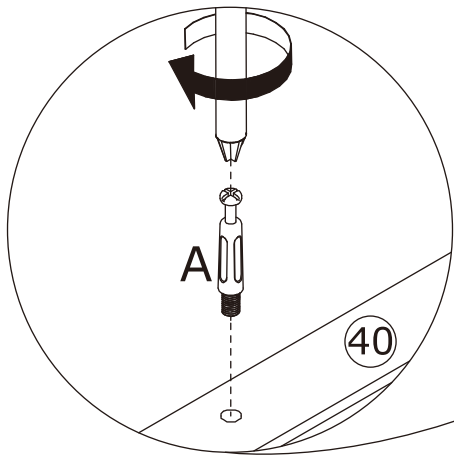
Assemble part 23 to the assembly with hardware N as shown.



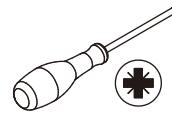
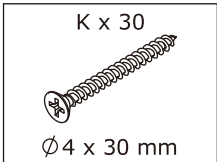
51



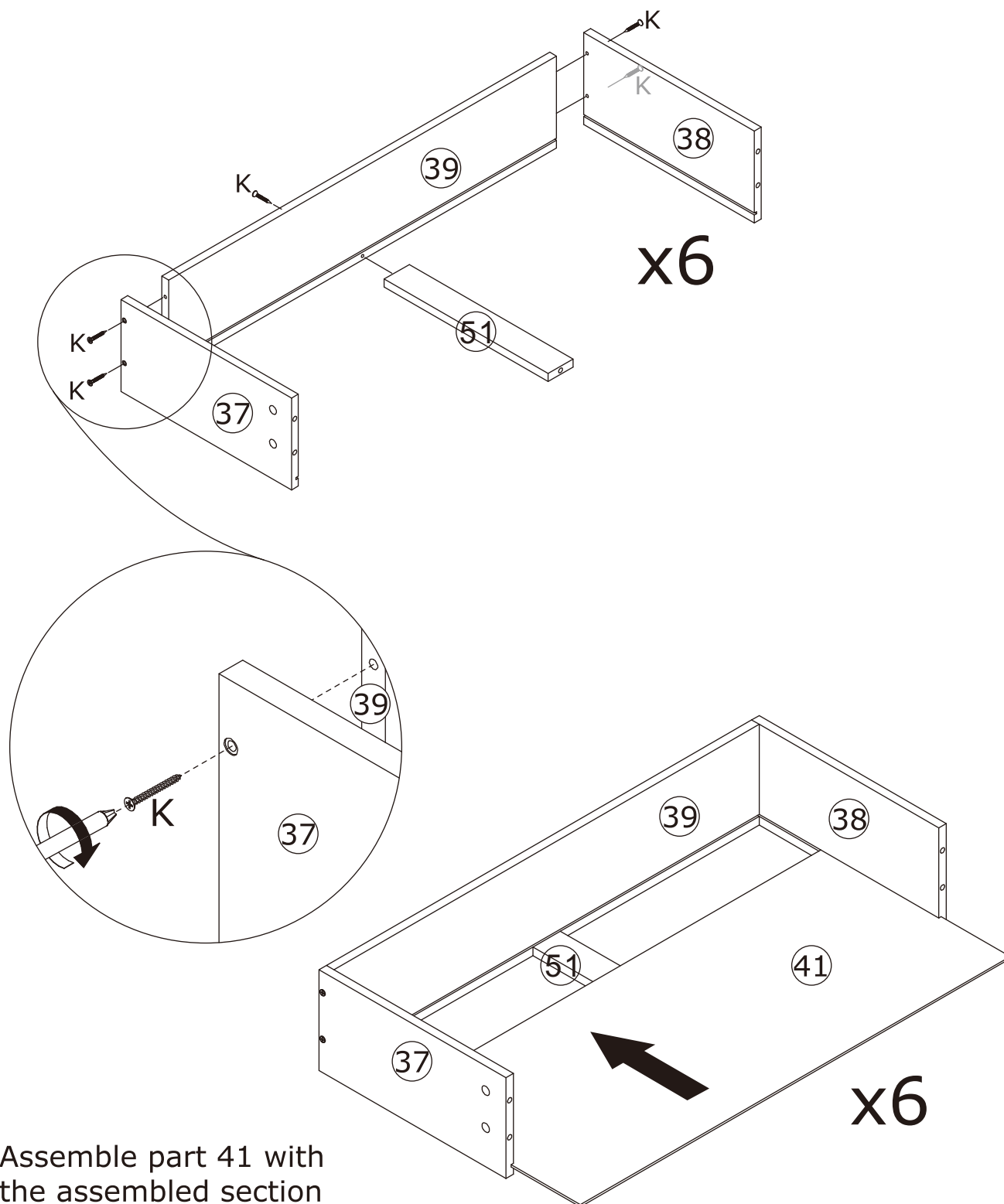
Attach hardware A to plate 40.
Use hardware E to secure hardware F
to the top of plate 40 as shown.



52

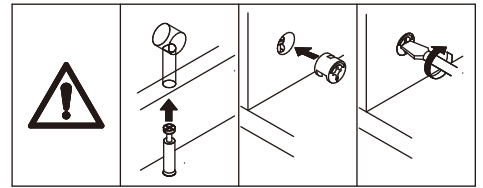
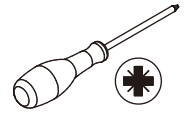
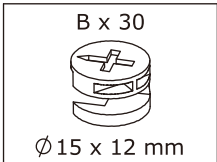


Assemble plates 37, 38, 39, and 51 together with hardware K as shown.

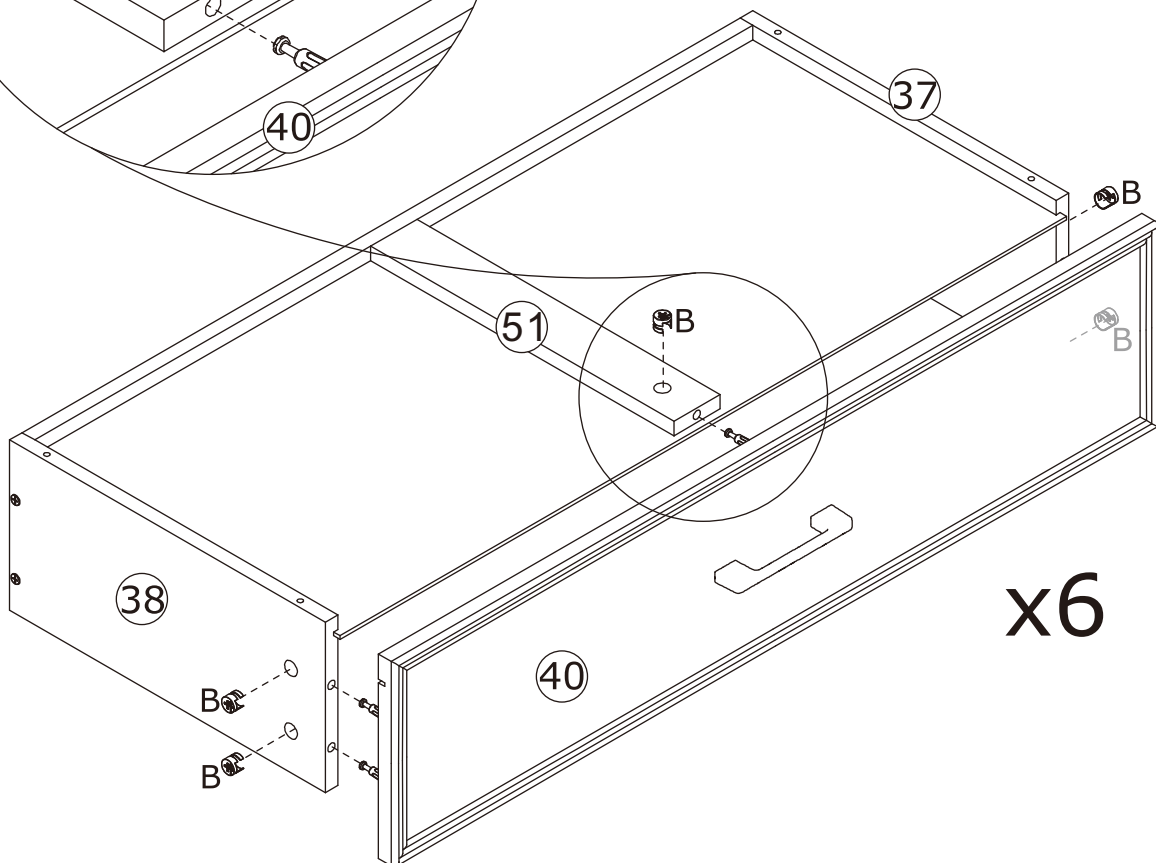
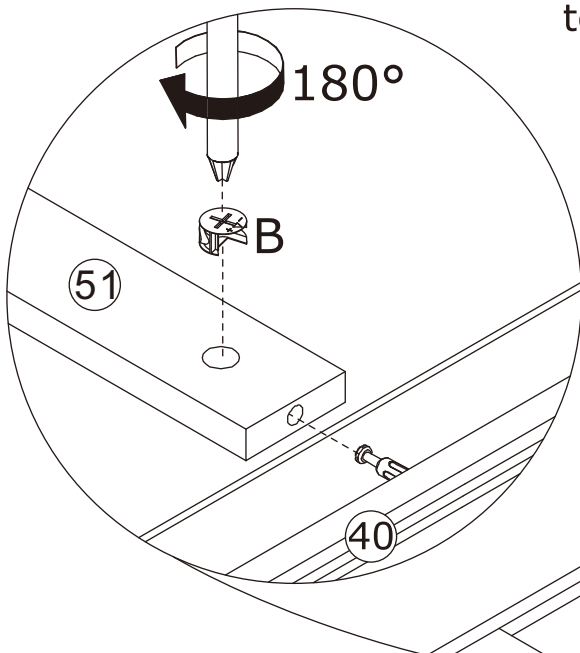


Assemble part 41 with the assembled section as shown.

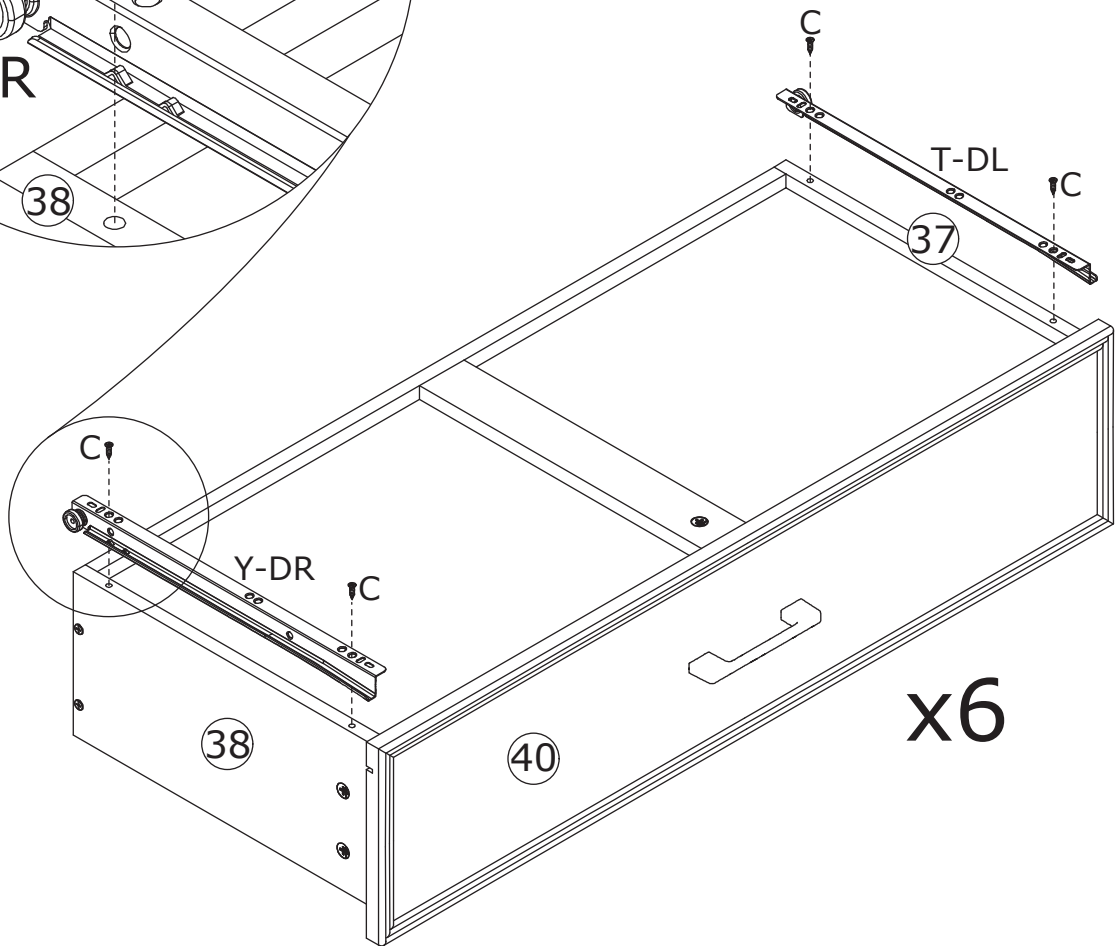
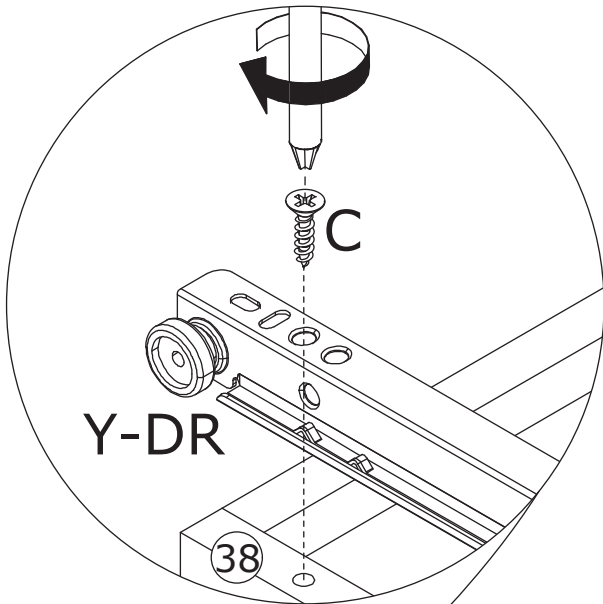
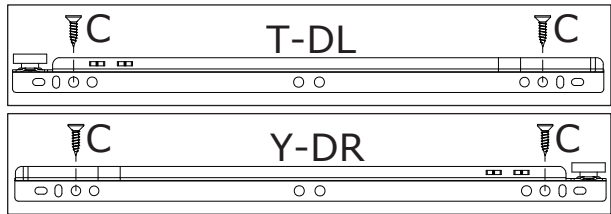
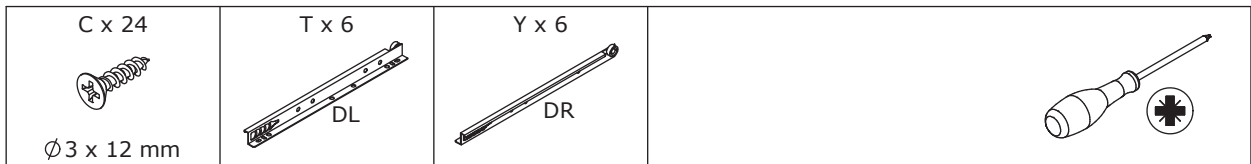
53



Assemble plates 37, 38, 51 and part 40 together with hardware B as shown.


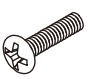
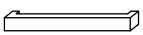
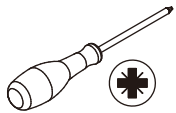


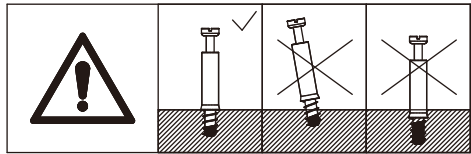
54



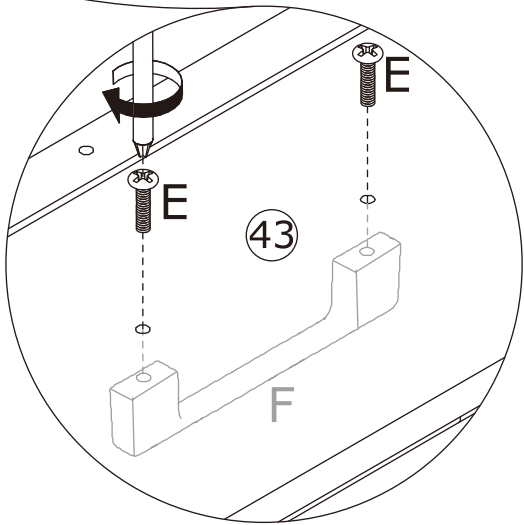
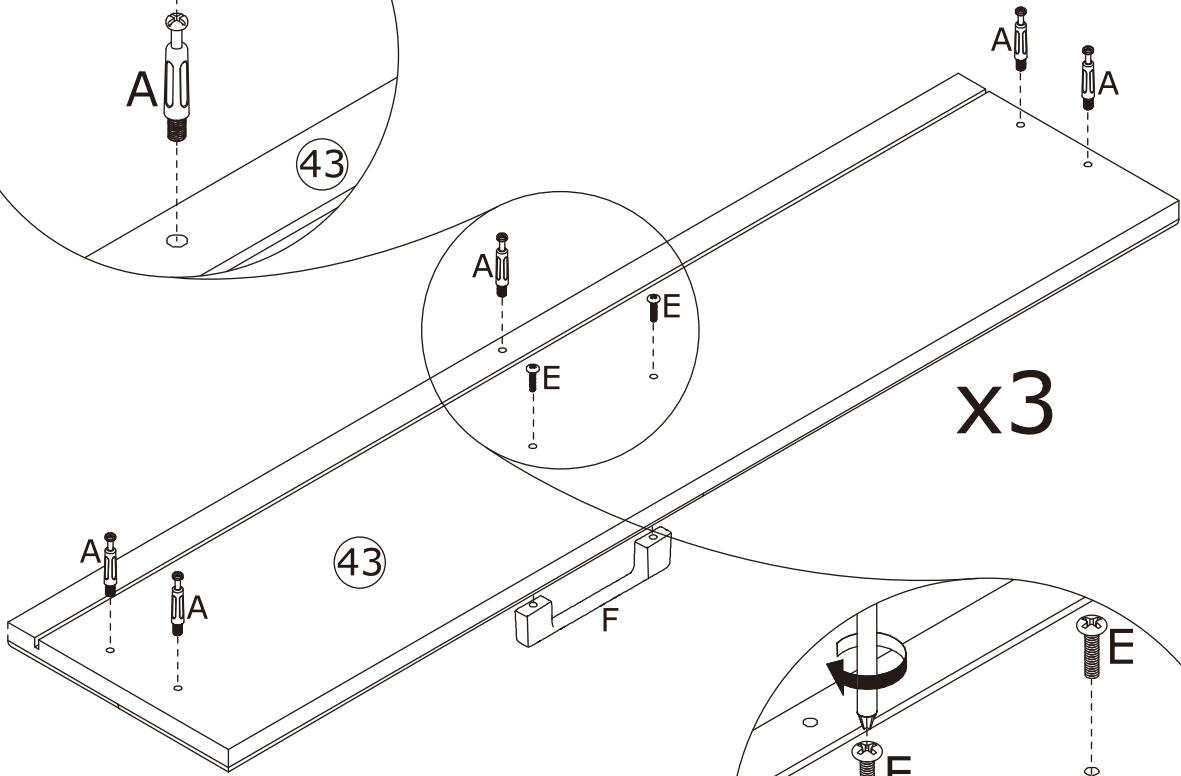
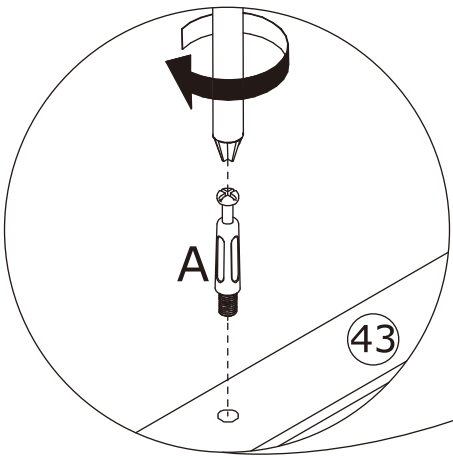
Assemble hardware T and Y to the drawer using hardware C as shown.

55

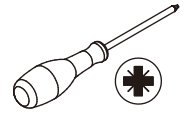
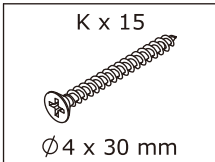
| | | | |
|--|---|--|---|
| <p>A x 15  Ø6 x 35 mm</p> | <p>E x 6  Ø4 x 14 mm</p> | <p>F x 3 </p> |  |
|--|---|--|---|



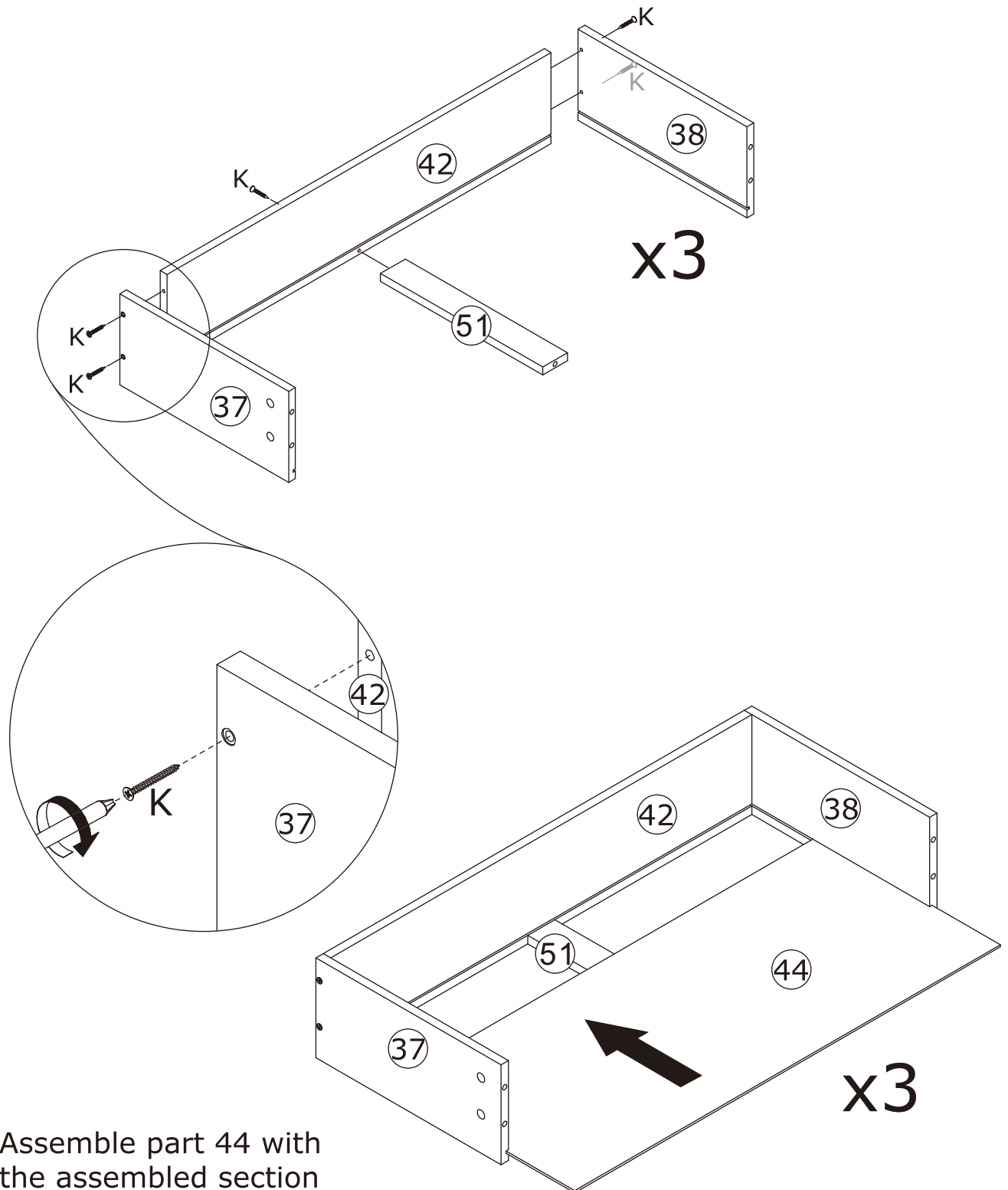
Attach hardware A to plate 43.
Use hardware E to secure hardware F
to the top of plate 43 as shown.



56

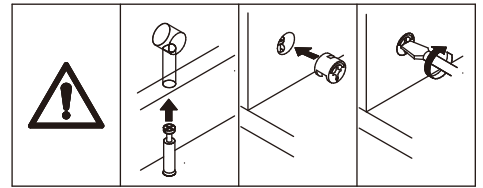
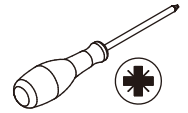
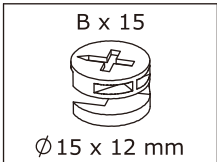


Assemble plates 37, 38, 42, and 51 together with hardware K as shown.

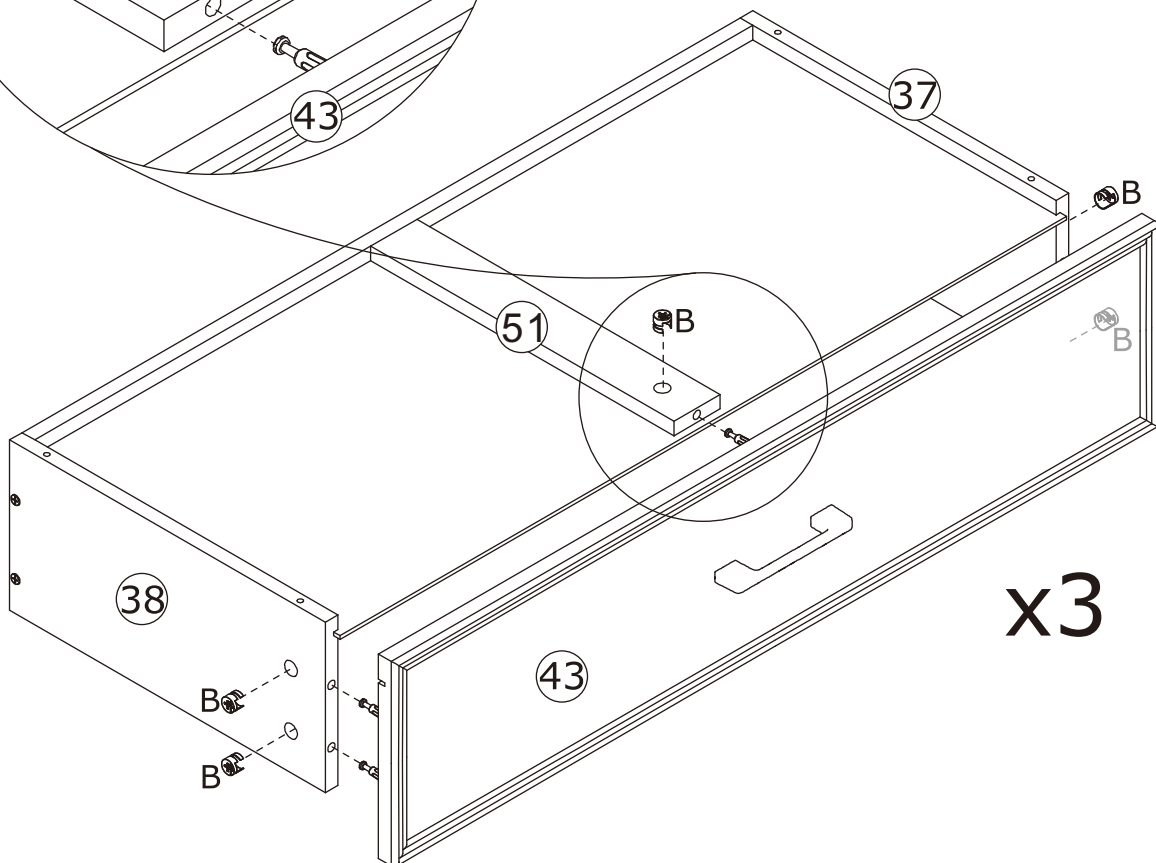
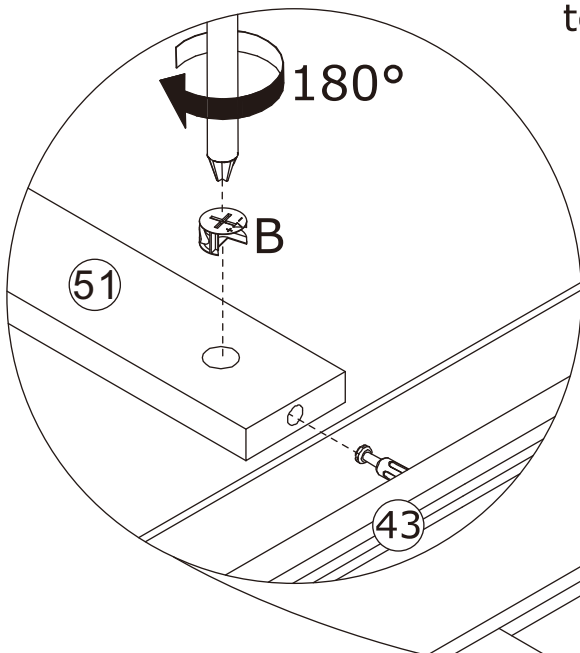


Assemble part 44 with the assembled section as shown.

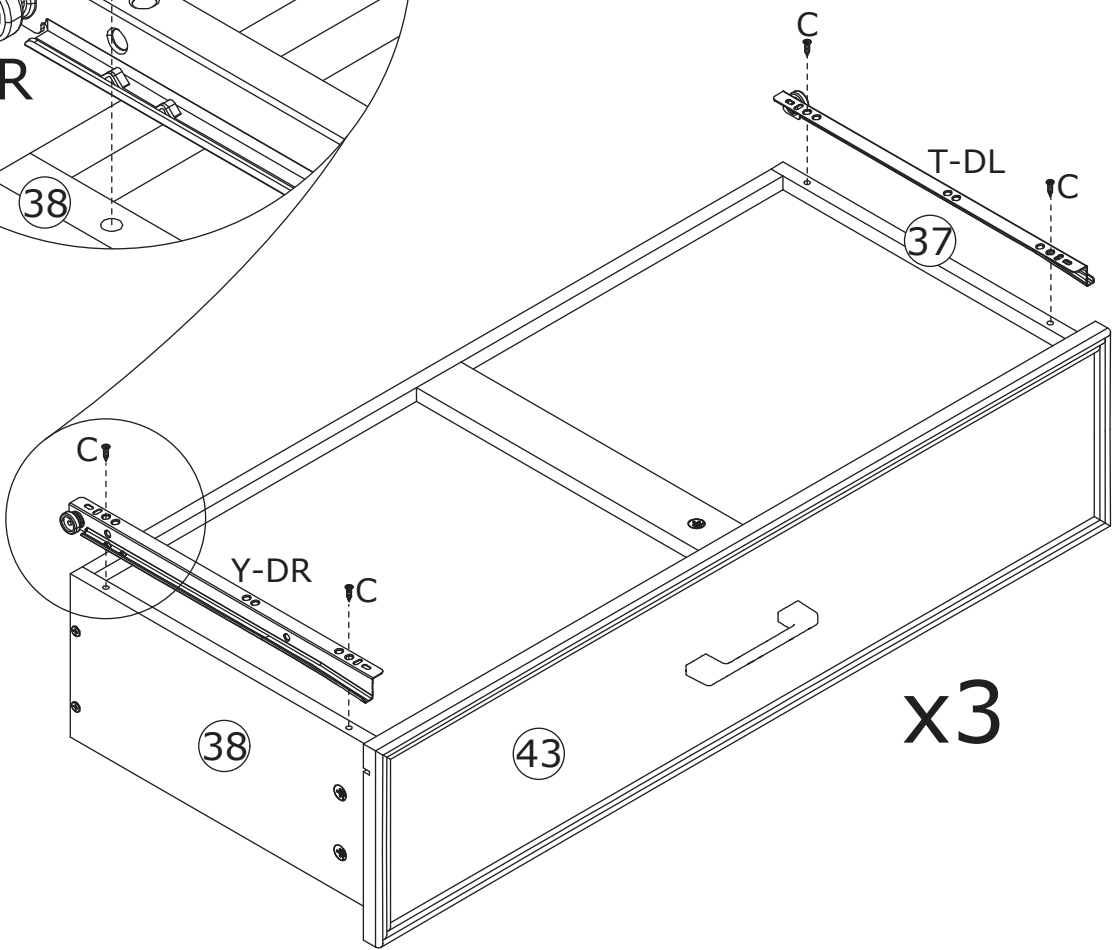
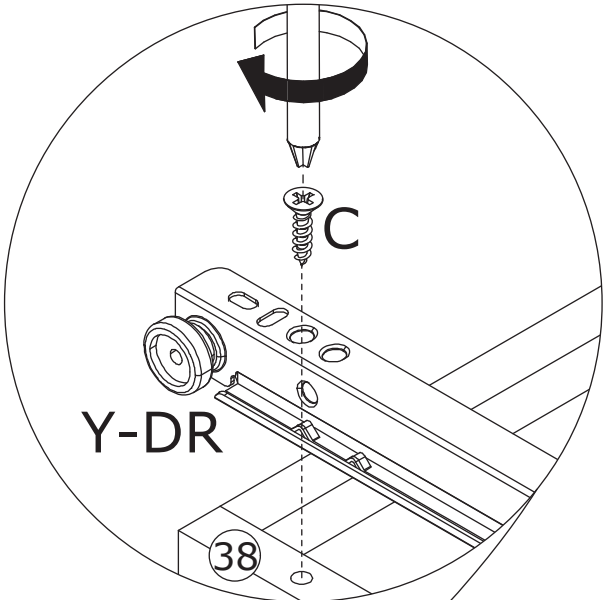
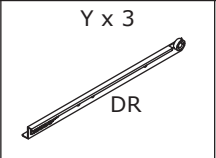
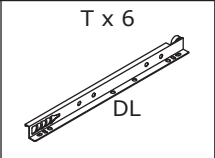
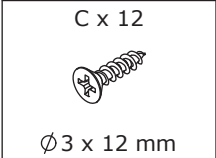
57



Assemble plates 37, 38, 51 and part 40 together with hardware B as shown.

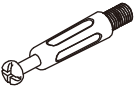

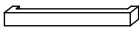
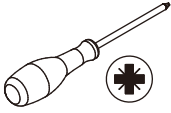


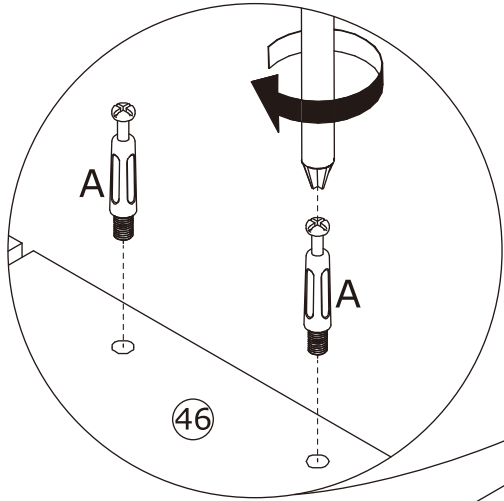
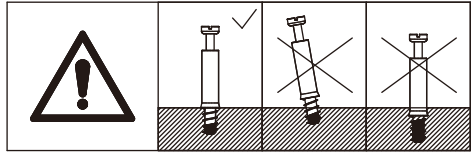
58



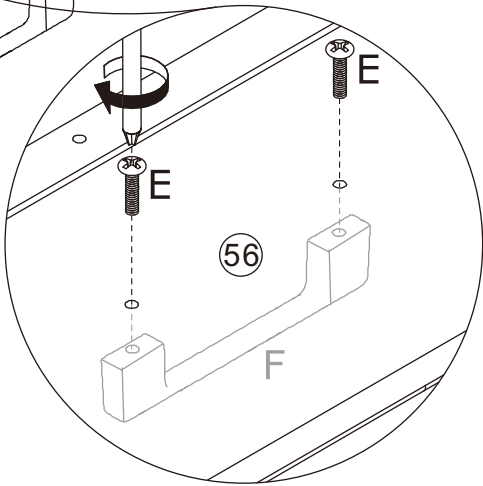
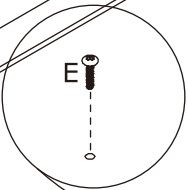
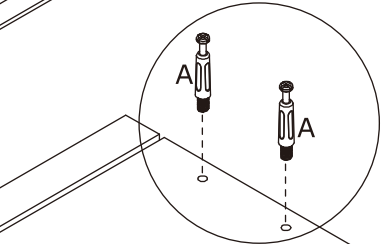
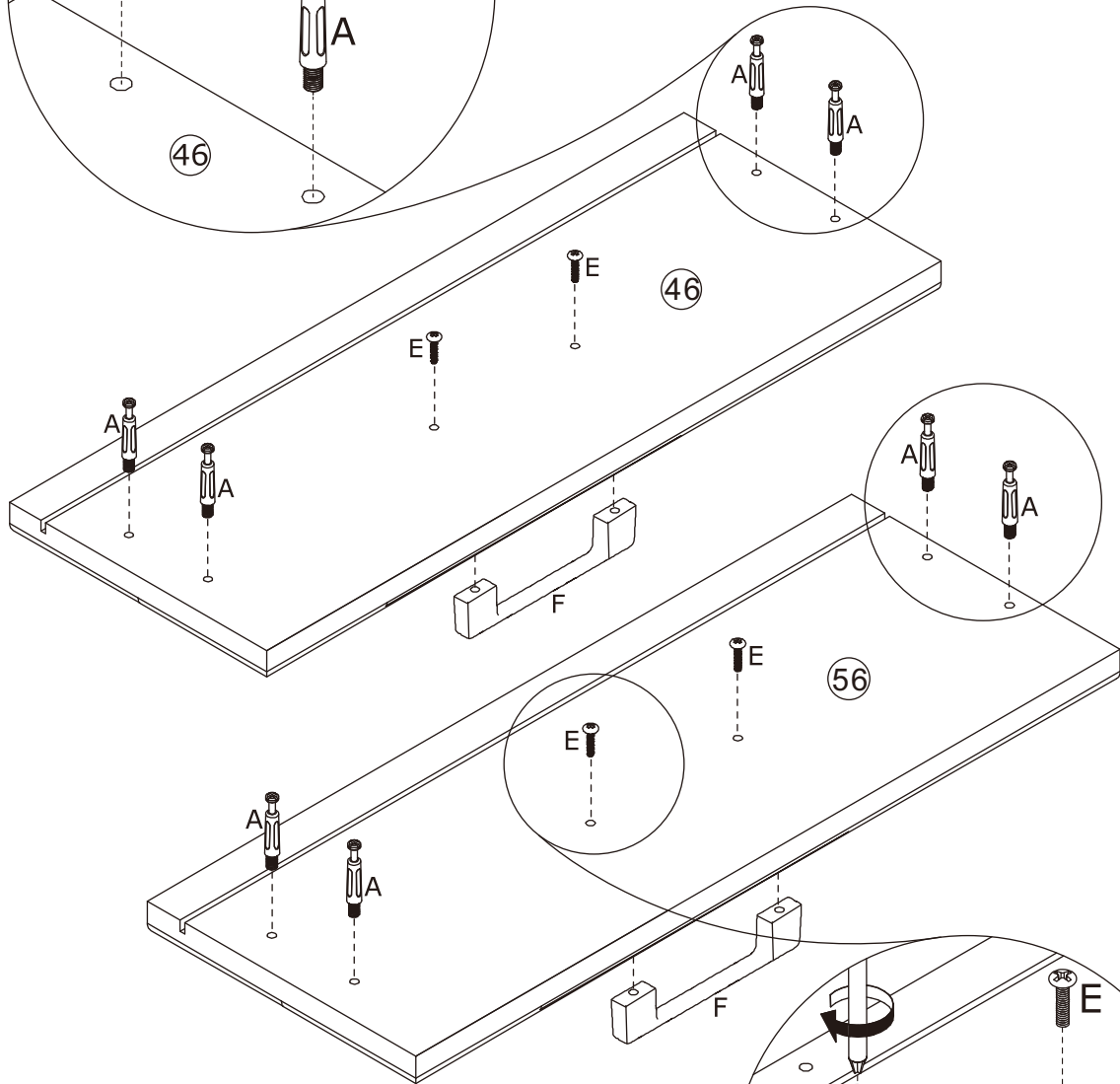
Assemble hardware T and Y to the drawer using hardware C as shown.

59

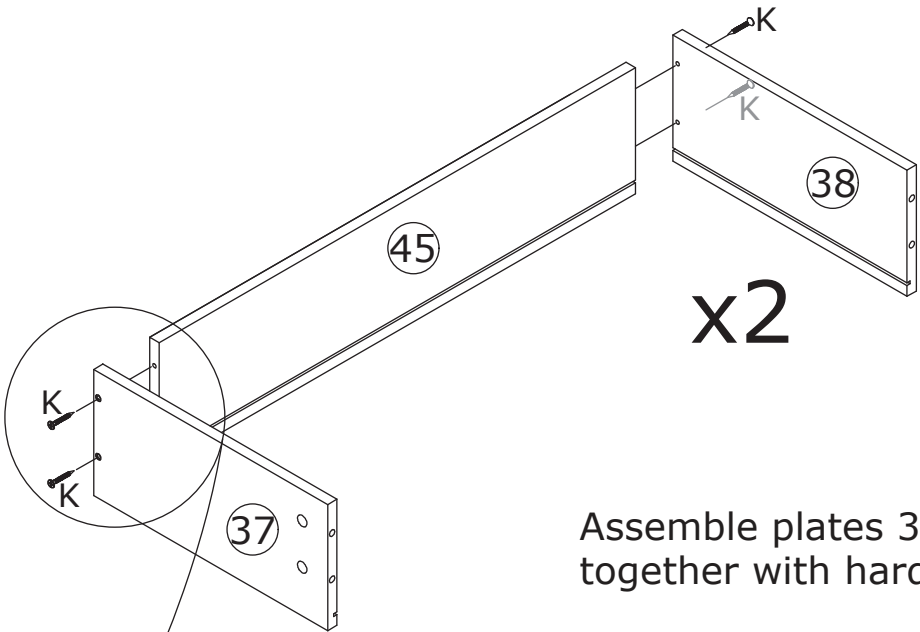
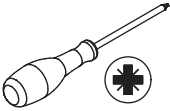
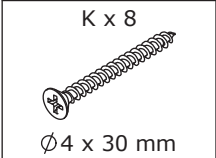
| | | | |
|--|--|--|---|
| <p>A x 8</p>  <p>Ø6 x 35 mm</p> | <p>E x 4</p>  <p>Ø4 x 14 mm</p> | <p>F x 2</p>  |  |
|--|--|--|---|



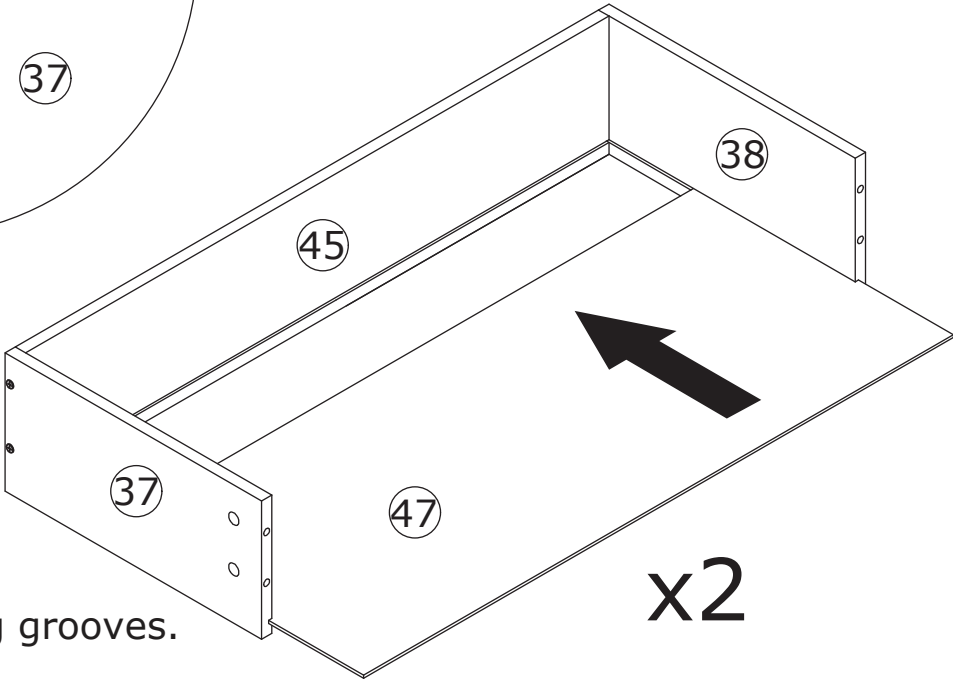
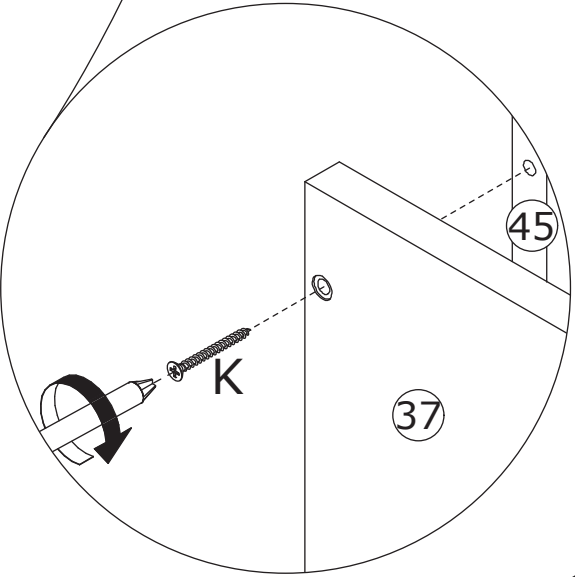
Attach hardware A to plate 46.
Secure hardware F to the top of
plate 46 with hardware E as shown.



60

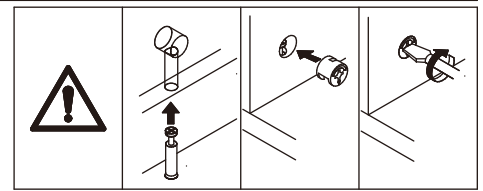
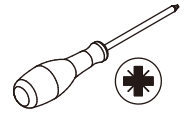
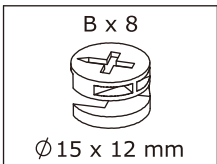


Assemble plates 37, 38, and 45 together with hardware K as shown.

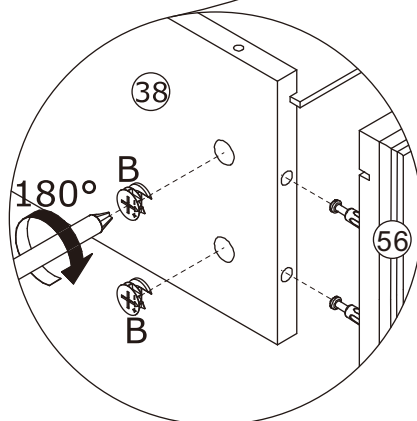
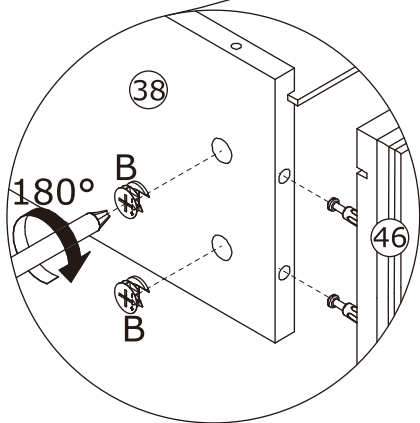
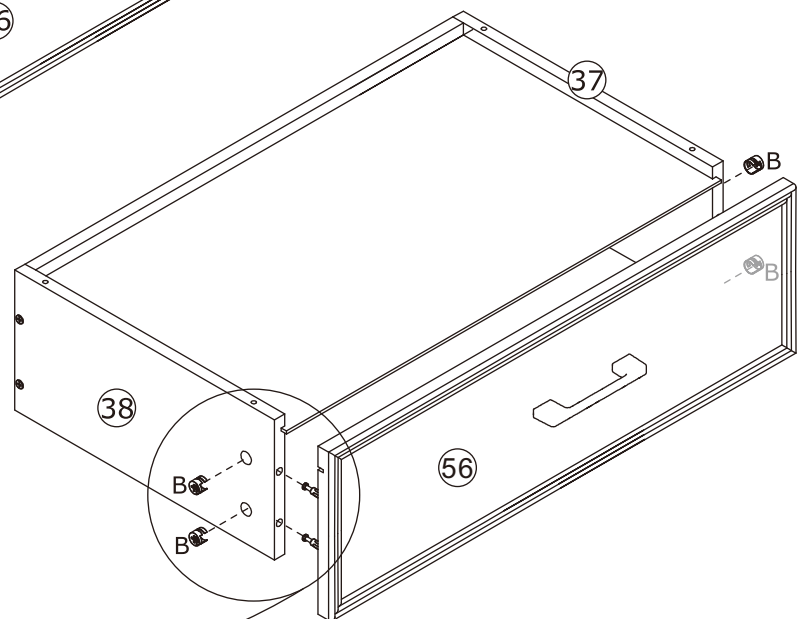
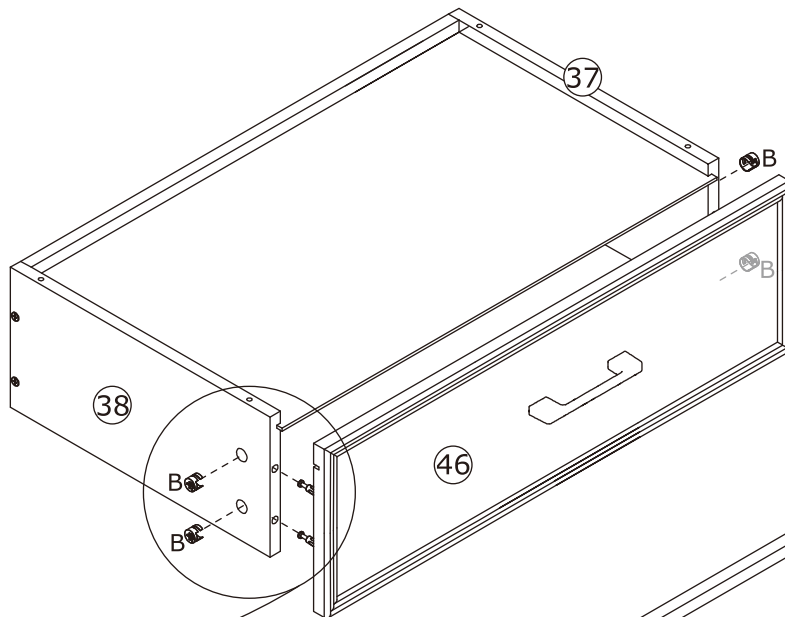


Insert part 47 along grooves.

61

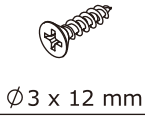


Assemble plates 37, 38 and part 46,56 together with hardware B as shown.

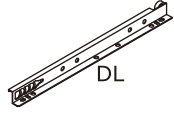


62

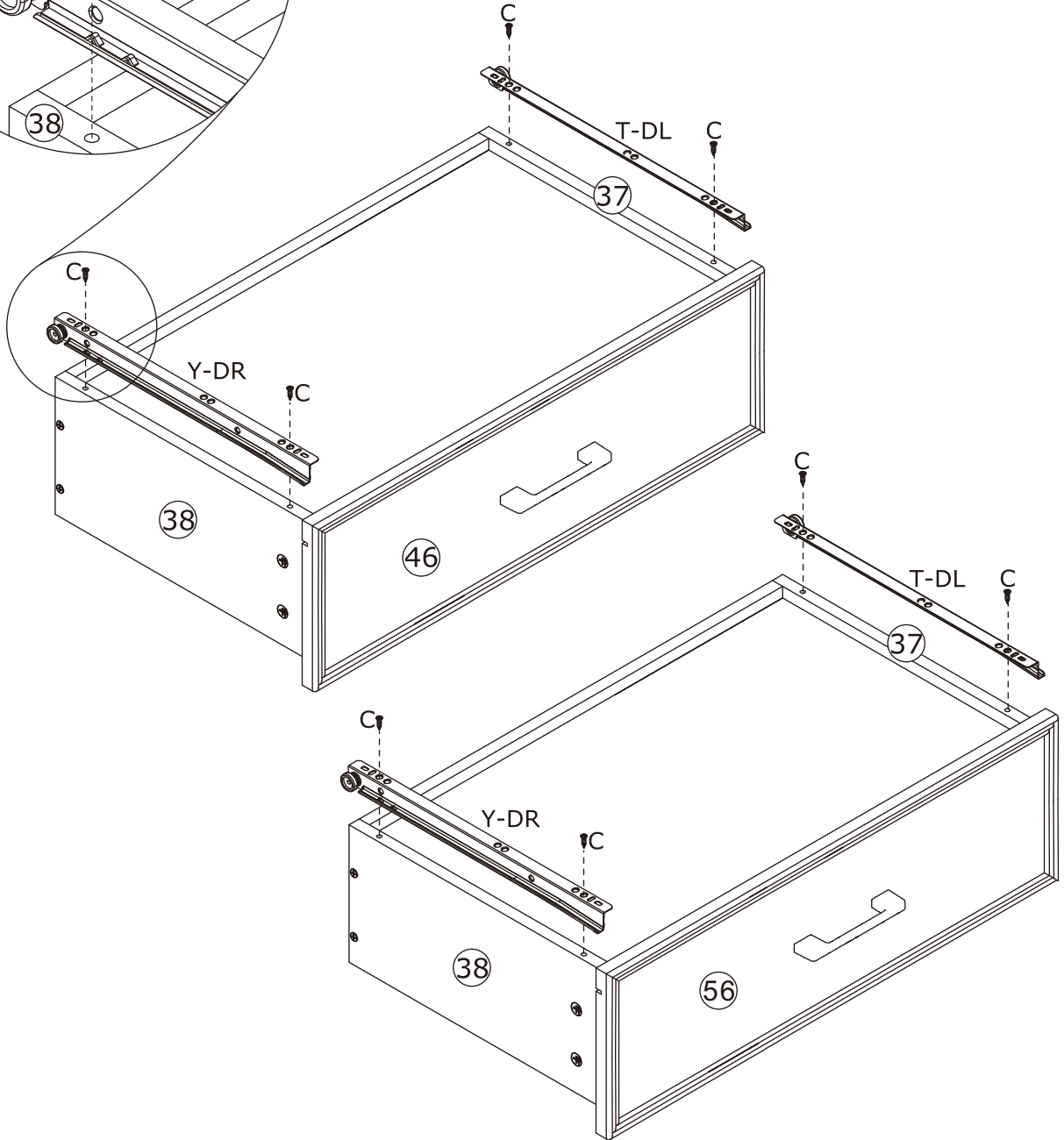
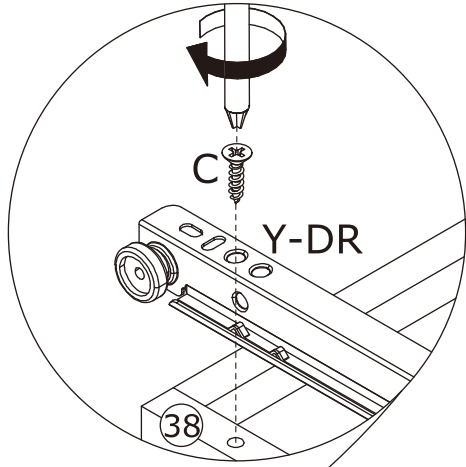
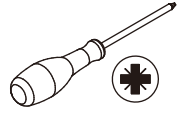
C x 8



T x 2

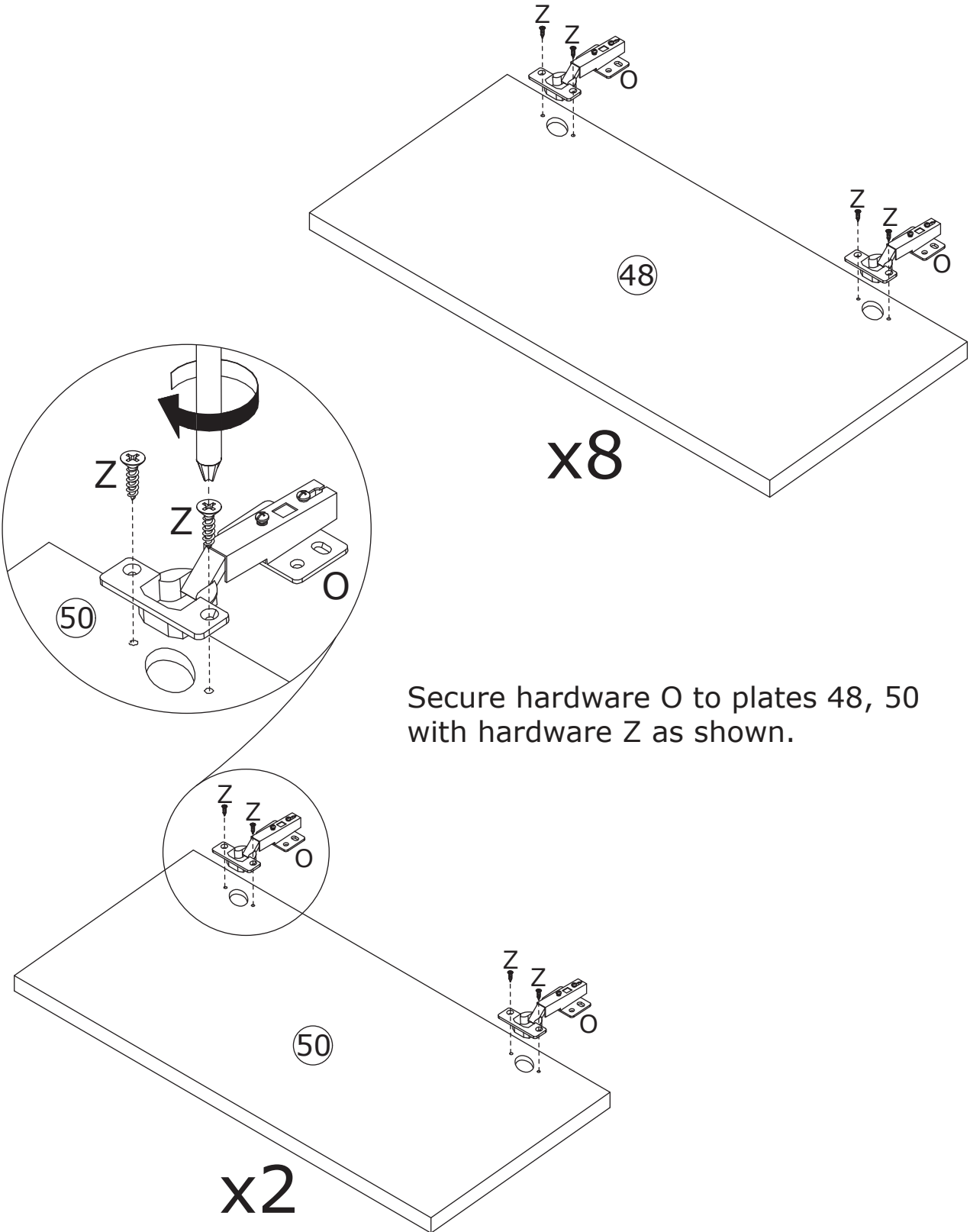
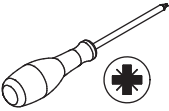
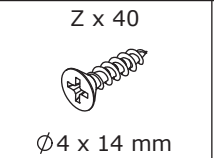
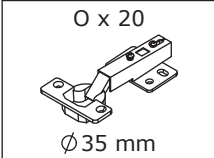


Y x 2



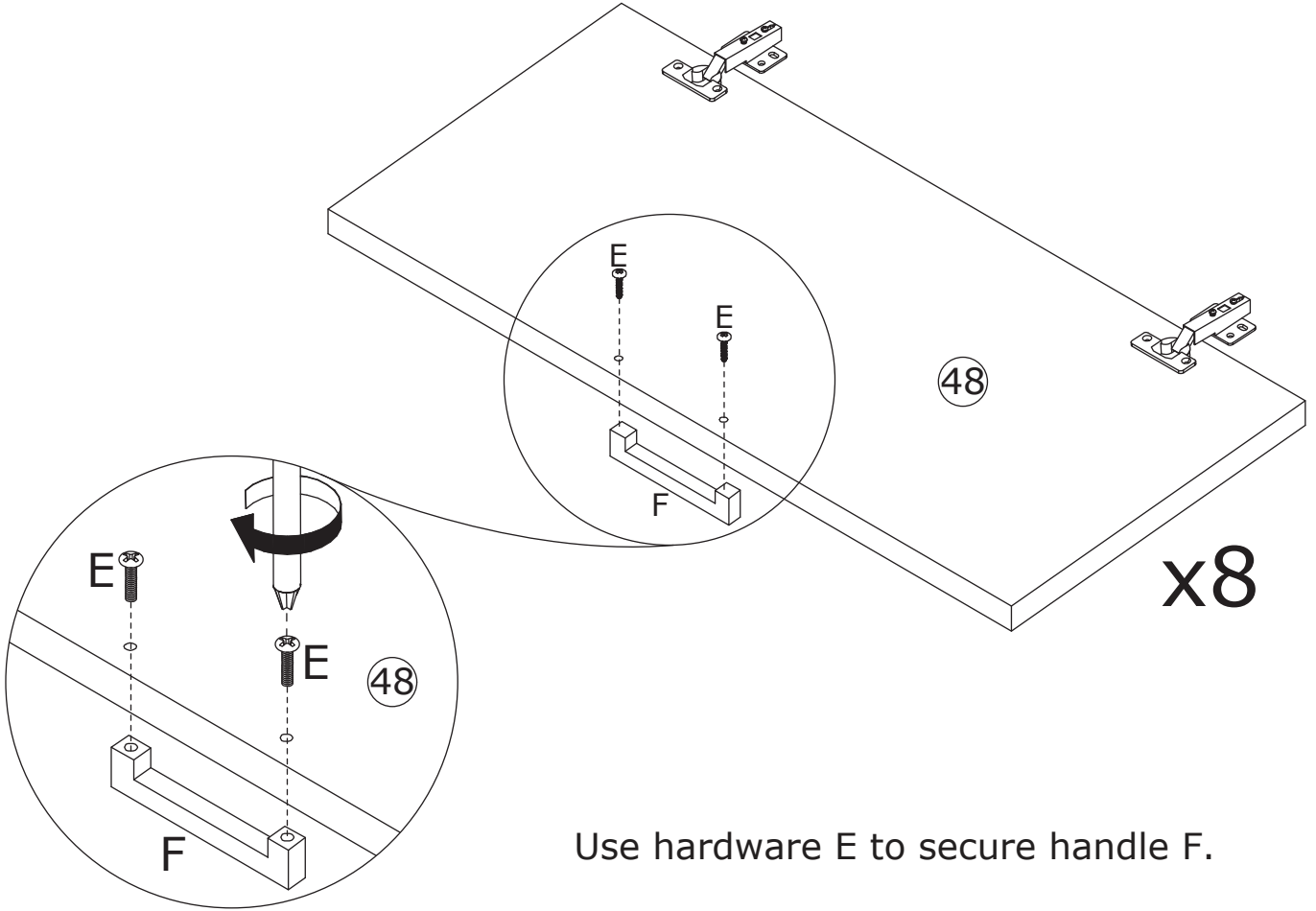
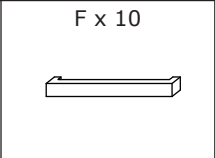
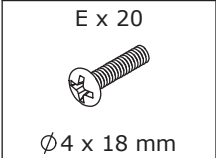
Assemble hardware K and L to the top of the drawer using hardware C as shown.

63

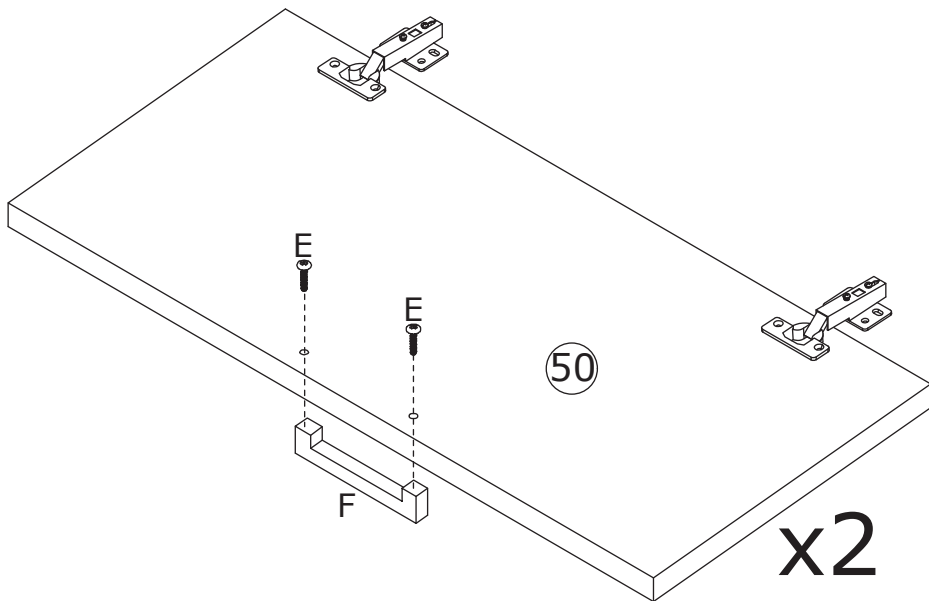


Secure hardware O to plates 48, 50 with hardware Z as shown.

64

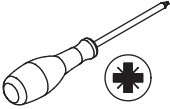


Use hardware E to secure handle F.

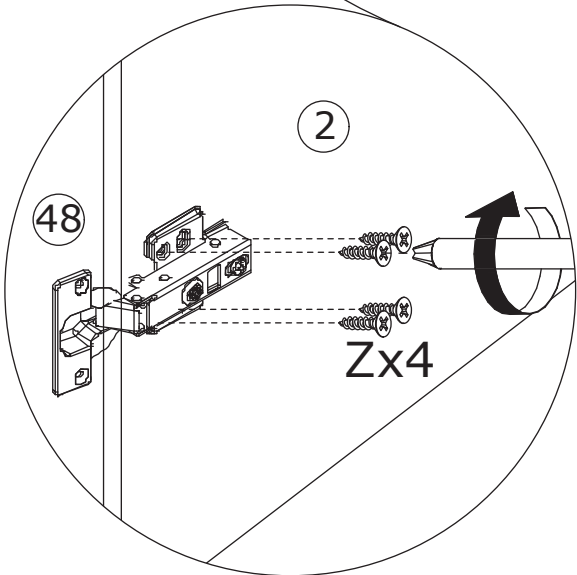
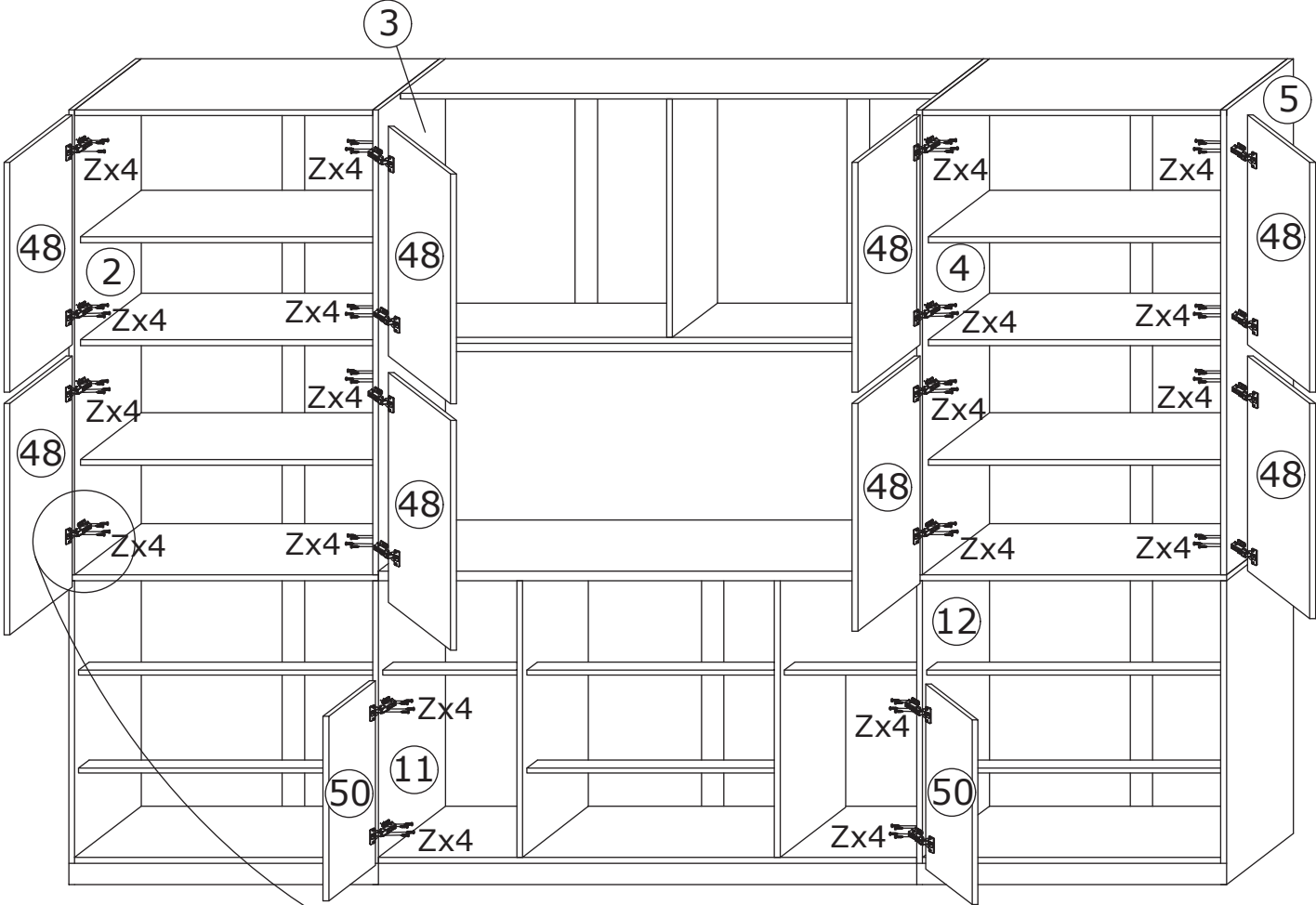


65

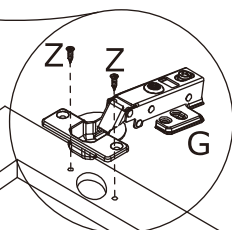
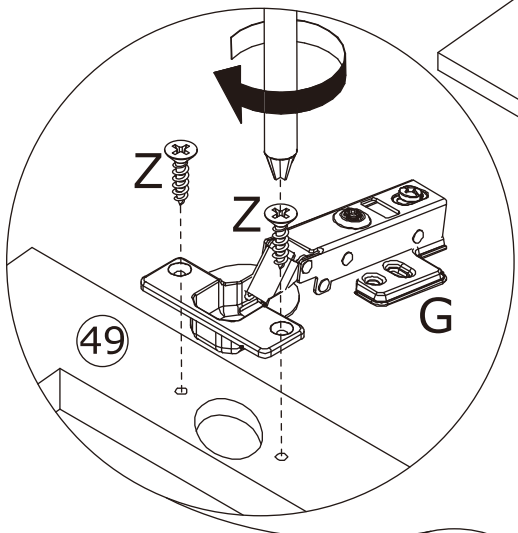
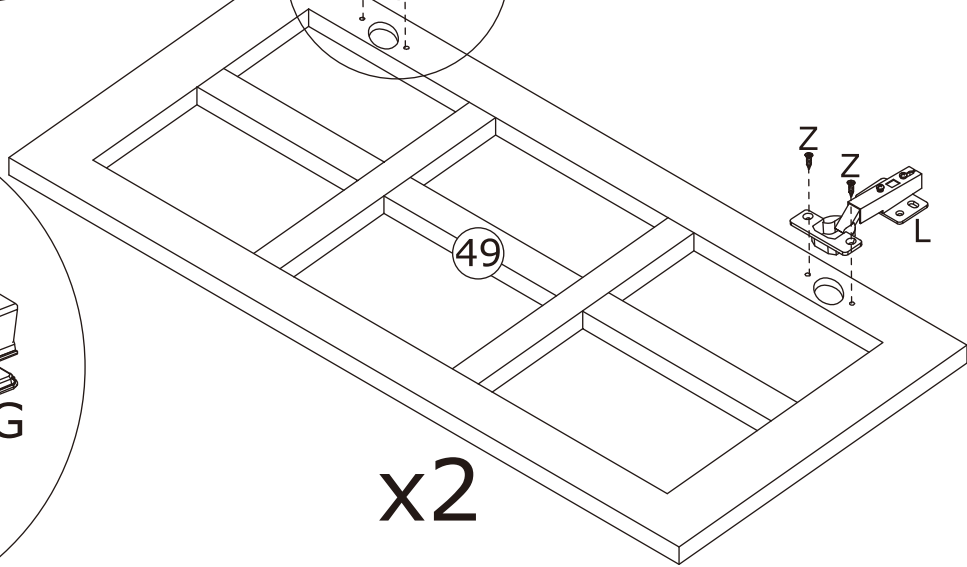
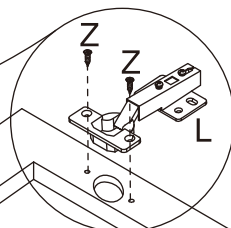
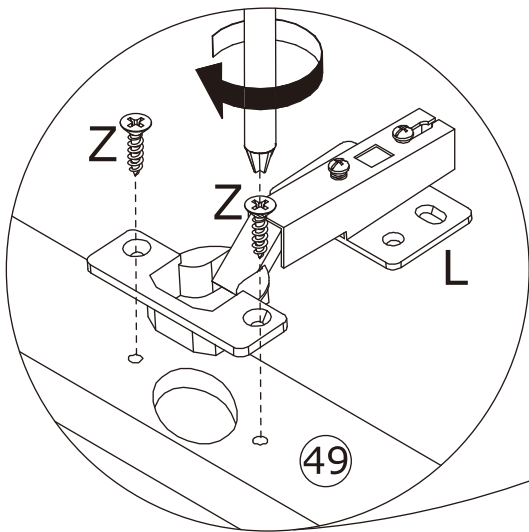
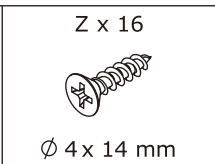
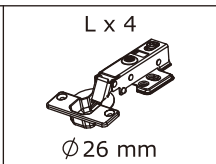
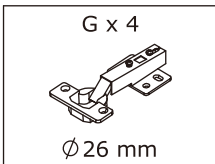
Z x 80
Ø4 x 14 mm



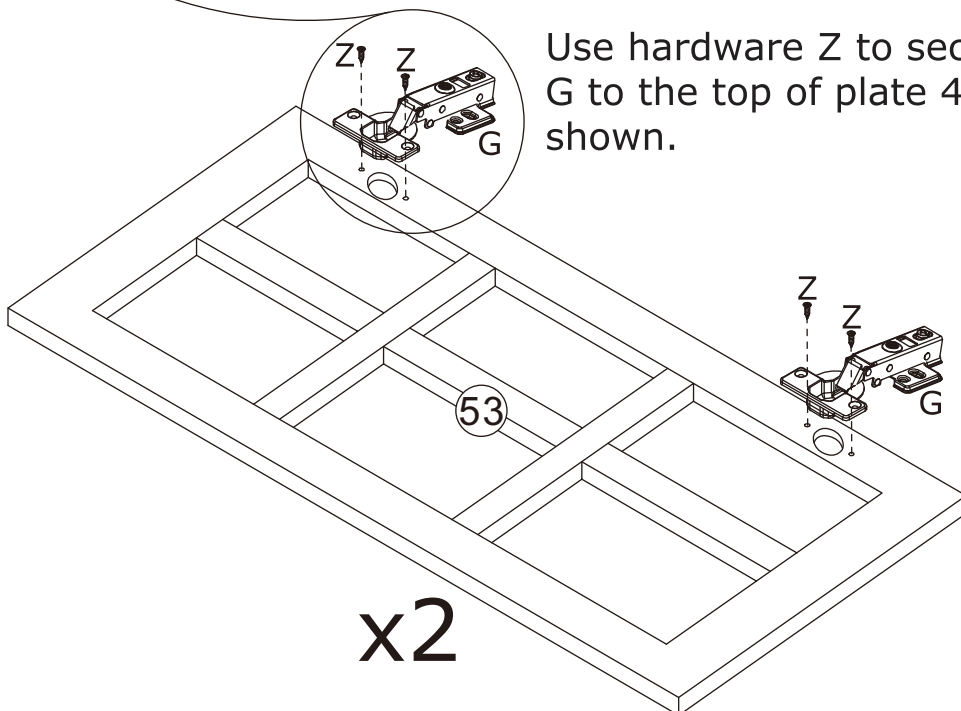
Assemble parts 48, 50 to the assembly with hardware Z as shown.



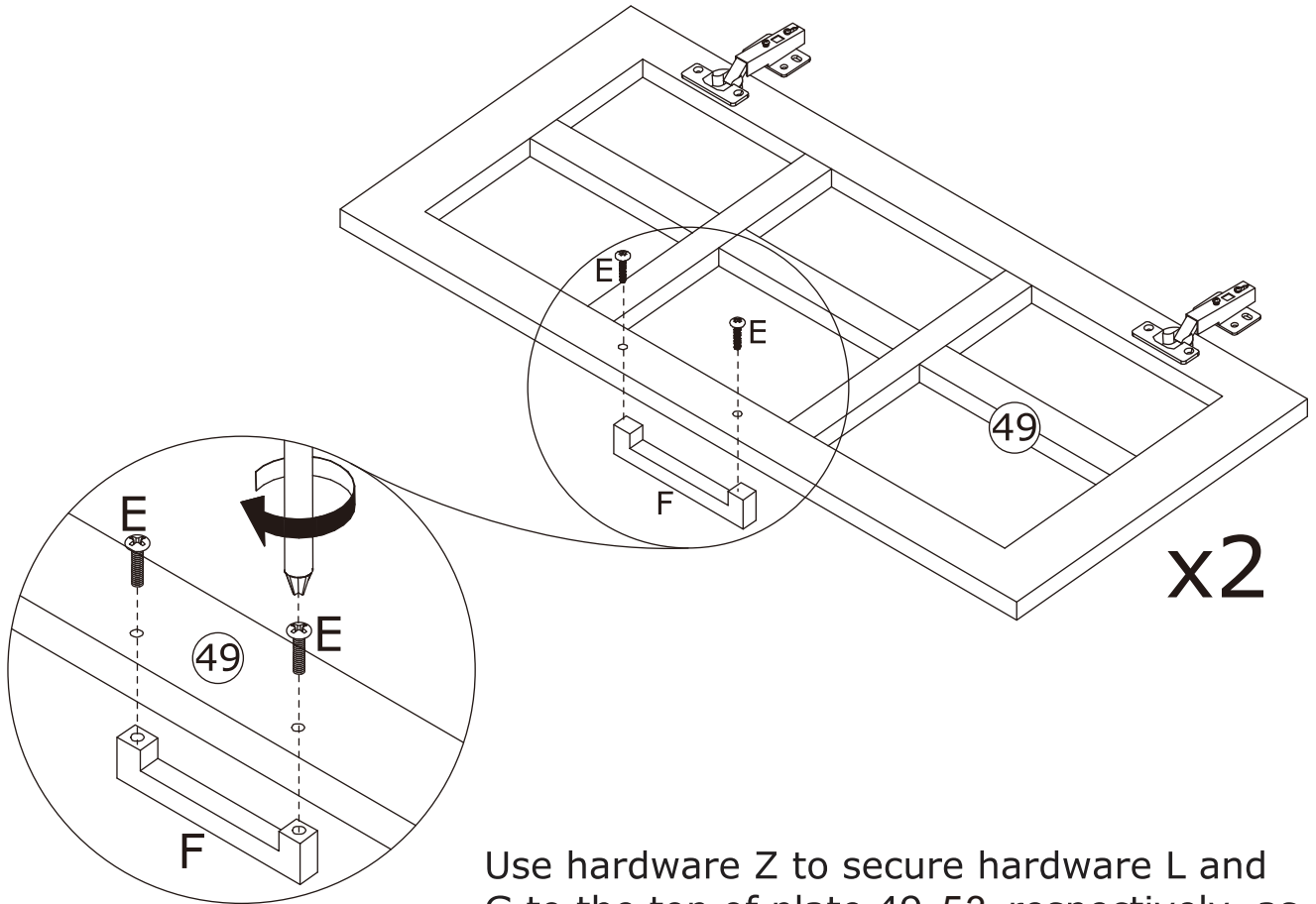
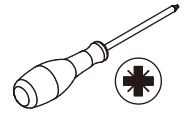
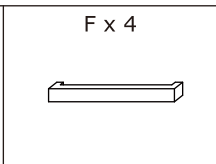
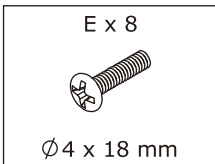
66



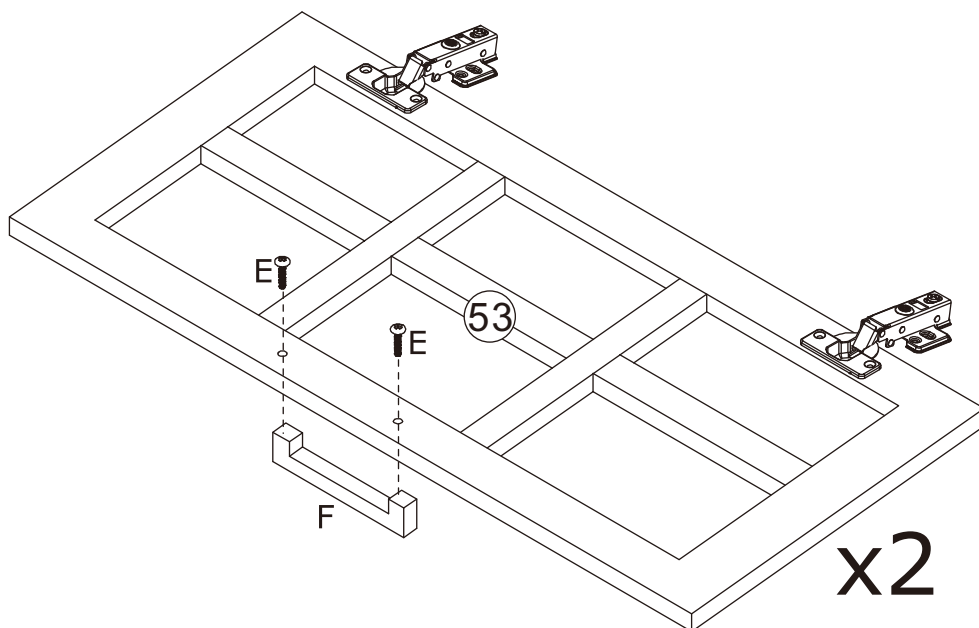
Use hardware Z to secure hardware L and G to the top of plate 49, 53, respectively, as shown.



67

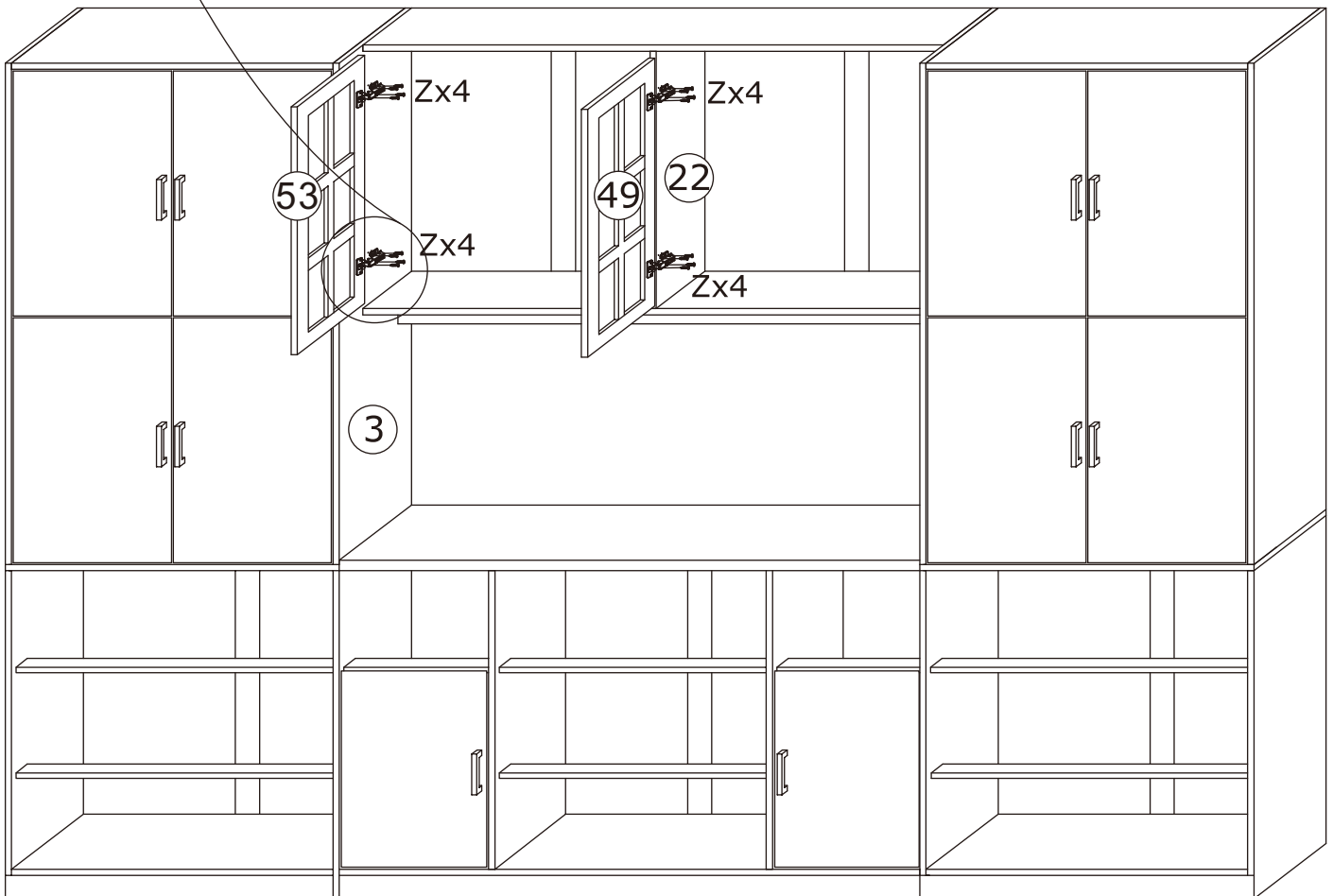
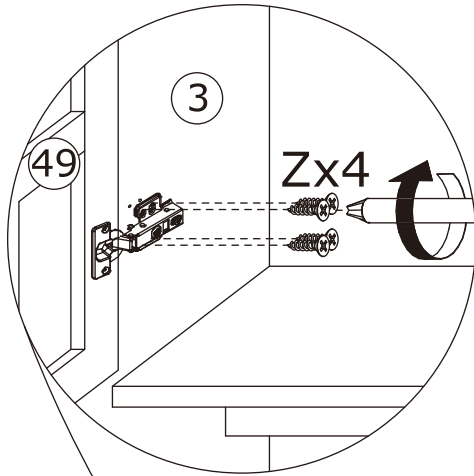
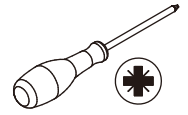


Use hardware Z to secure hardware L and G to the top of plate 49, 53, respectively, as shown.



68

Z x 16
Ø 4 x 14 mm



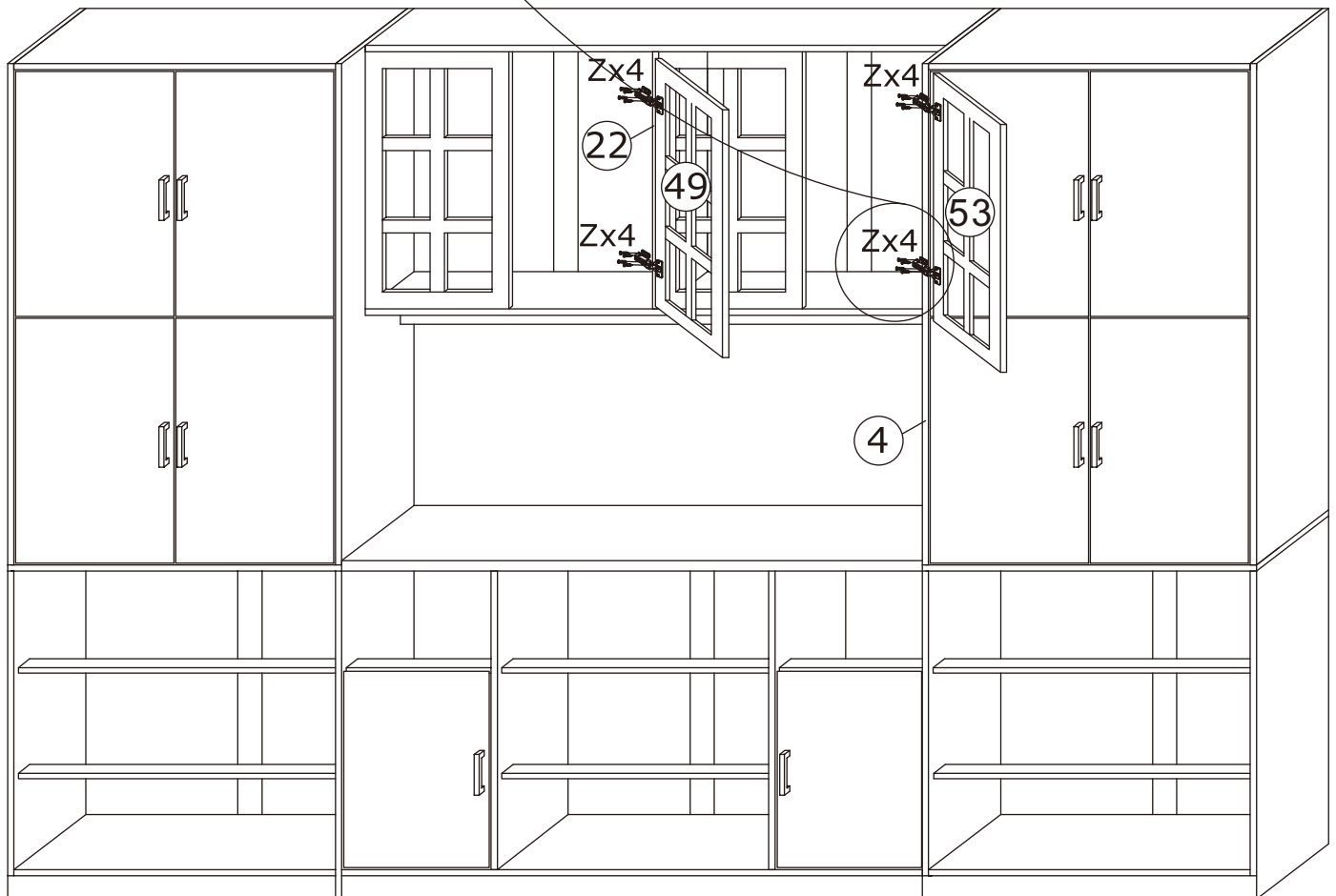
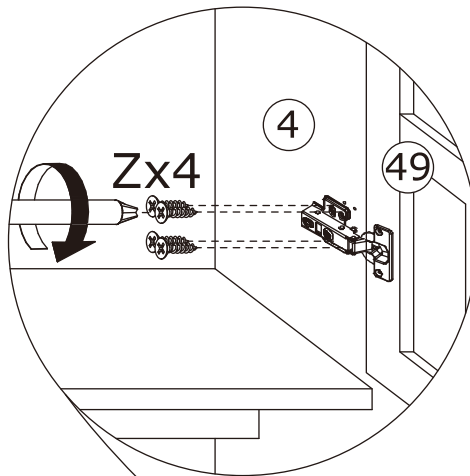
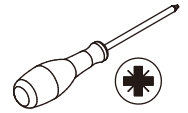
Assemble parts 49, 53 to the assembly with hardware Z as shown.

69

Z x 16



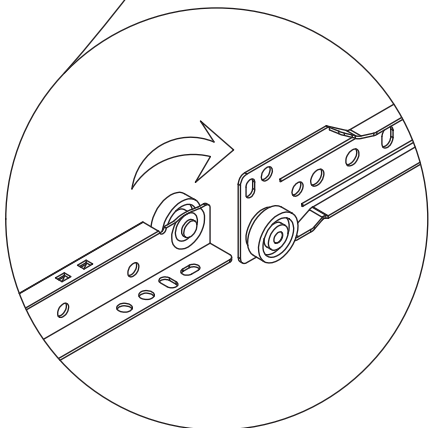
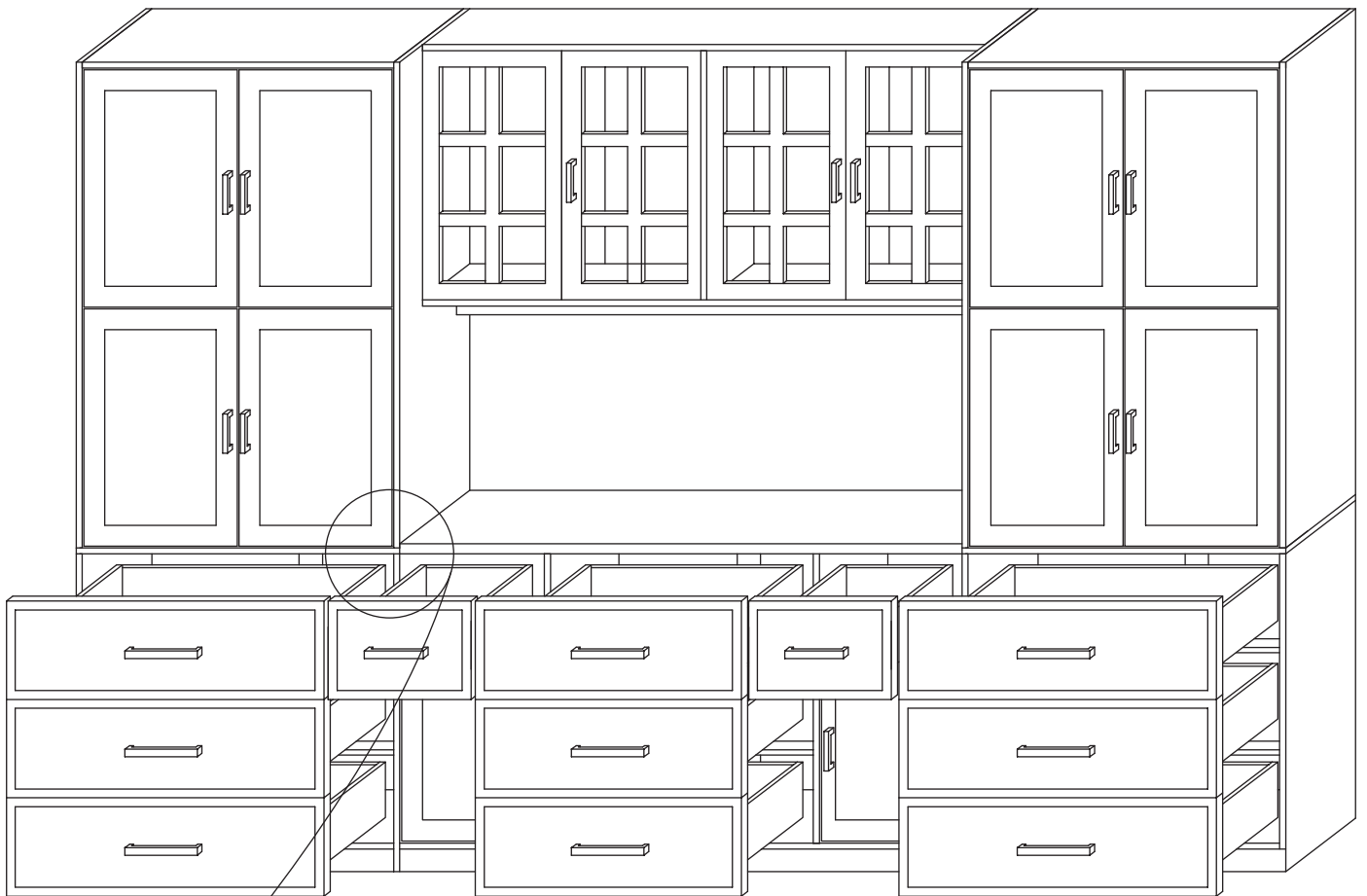
Ø 4 x 14 mm






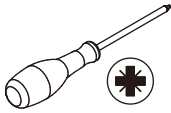
Assemble parts 49, 53 to the assembly with hardware Z as shown.

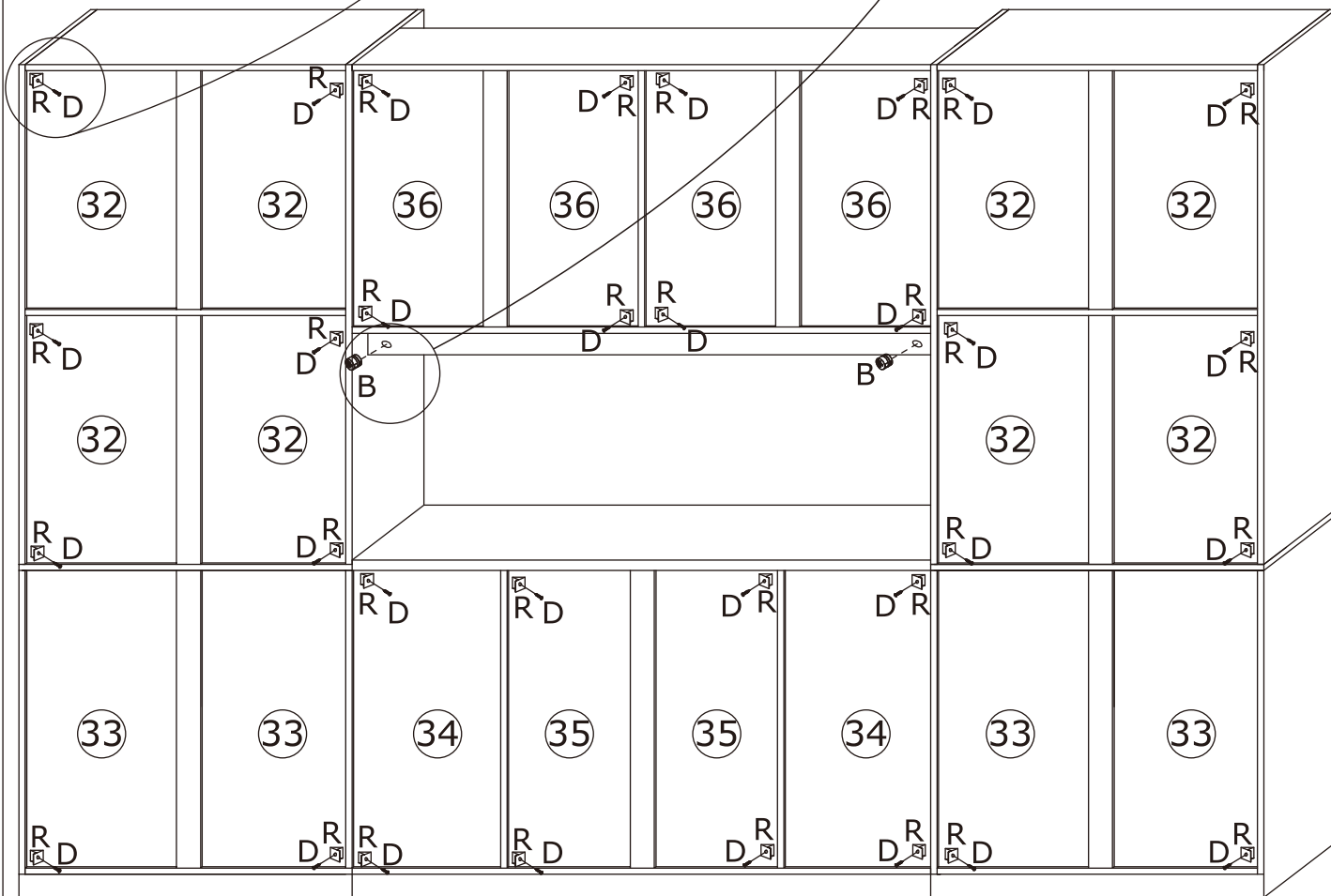
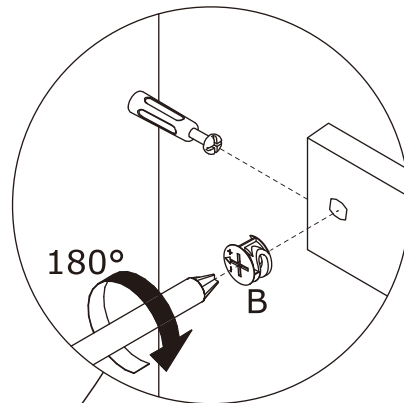
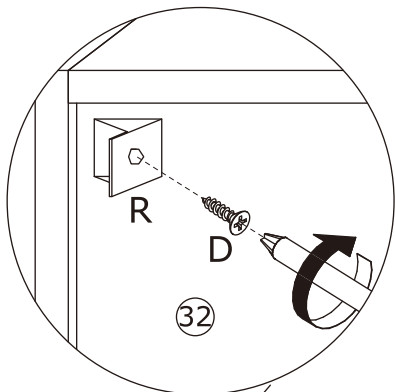
70

Place the assembled drawers.



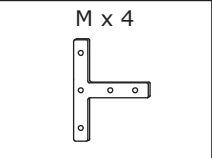
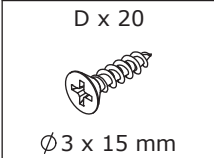
71

| | | | |
|--|---|--|---|
| <p>D x 32</p>  <p>Ø 3 x 15 mm</p> | <p>R x 32</p>  | <p>B x 2</p>  <p>Ø 15 x 12 mm</p> |  |
|--|---|--|---|

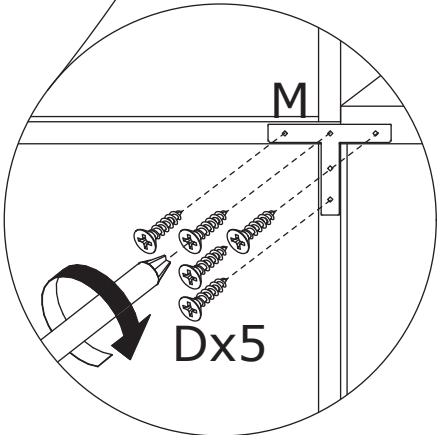
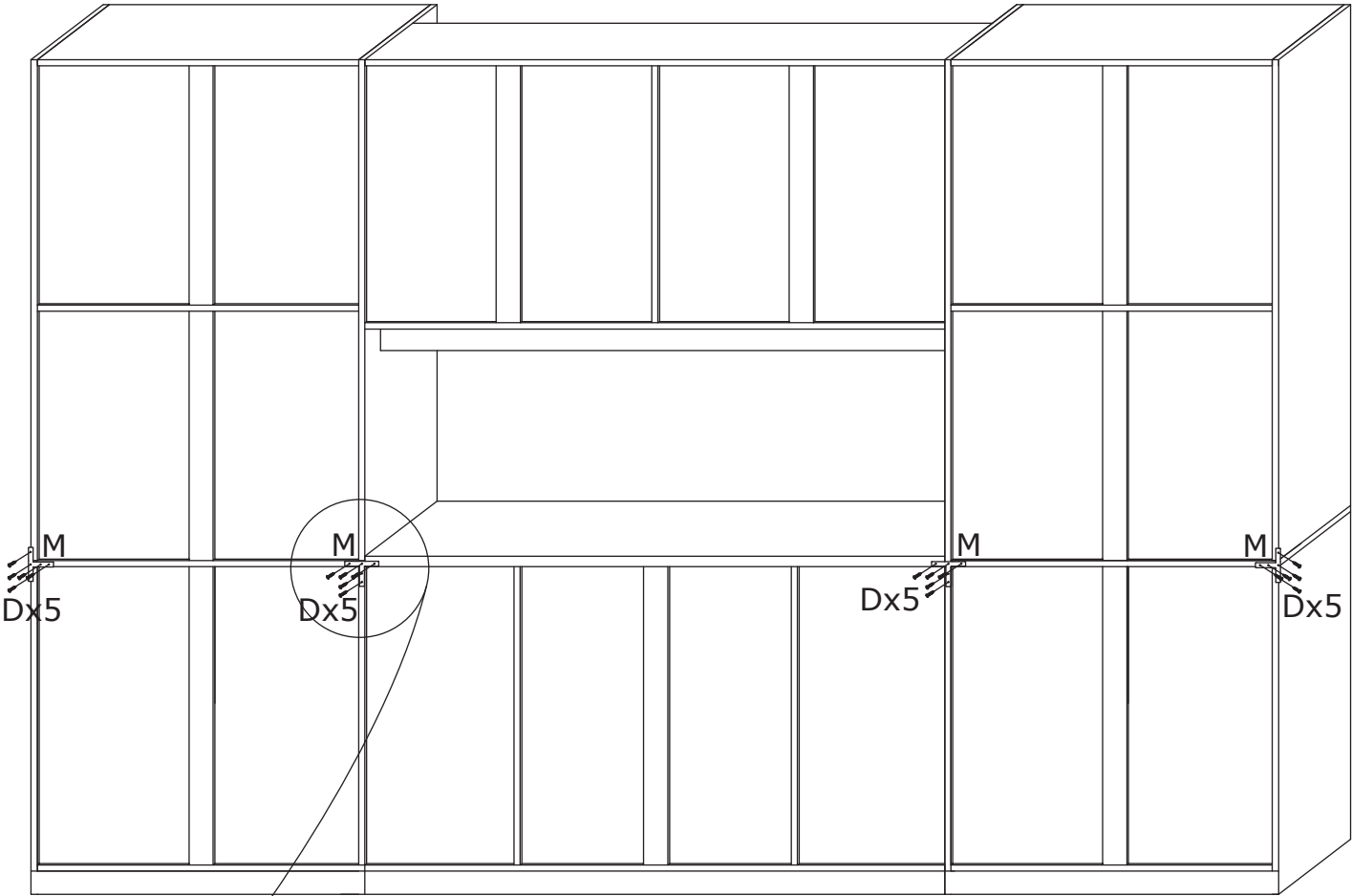


Secure the plastic part R to the top of the assembly with hardware D as shown.



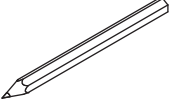
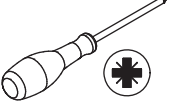
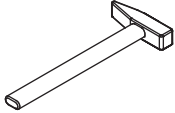

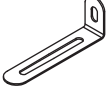
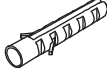

72



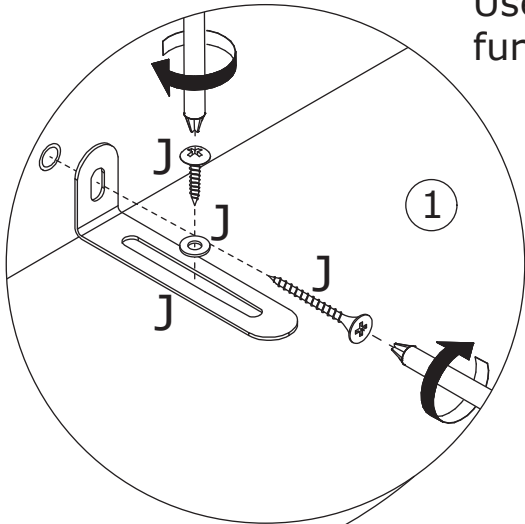
Use hardware D to secure hardware M to the assembly as shown.

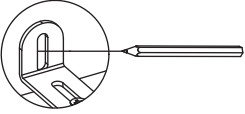
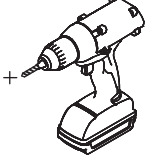
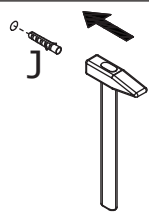
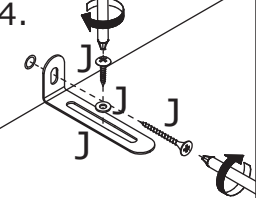


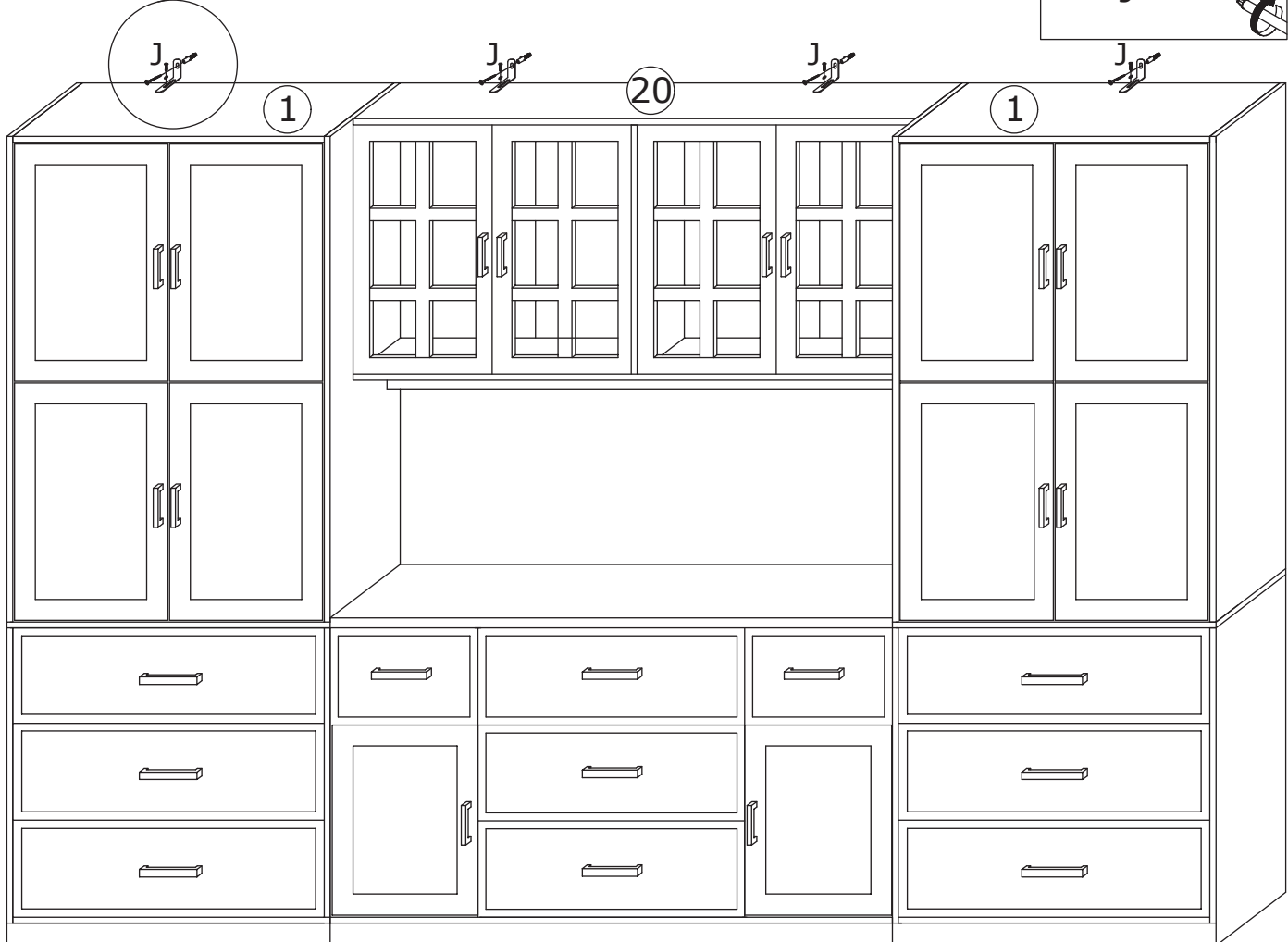
73

| | | | | | |
|--|--|--|--|---|--|
| <p>J x 4</p>  <p>Ø3 x 15 mm</p> | <p>J x 4</p>  <p>Ø3 x 15 mm</p> |  |  |  |  |
| <p>J x 4</p>  | <p>J x 4</p>  | <p>J x 4</p>  | | | |

Use hardware J to secure the furniture to the wall as shown.



- 
- 
- 
- 



WARRANTY

WARRANTY CLAIMS

- There is a 30-day warranty for broken furniture or any other problems that do not work properly. The warranty will start from the date of purchase which must be verified by proof of purchase.
- Before making a claim, we may be able to answer your query, simply call us. Please leave your purchase order number, along with some details of the problem, if you want a replacement part. We will arrange within 48 hours. If there is out of stock, we will reply with a shipping date.
- The product must be used in accordance with the instructions provided. For health reasons.
- For other reasons, if the furniture needs to be returned, it must be cleaned and dried and operated within 30 days of receipt.

Type of Warranty Claim

- Failure to follow the furniture instructions will invalidate the warranty. Attention please.
- Does not include damage during installation, but includes damage during transportation.

Scope of responsibility

- Shall not bear any responsibility for misuse or user damage and / or loss of parts during the installation of furniture.
- After using, the damage and scratches of the furniture are not covered by the warranty.

The Warranty Relates to All Bought in The Us and Covers The Following Areas

- Sheet parts: 1 month from the date of purchase.
- Electrical parts: 1 month from the date of purchase.