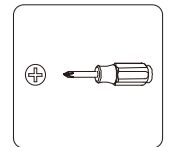
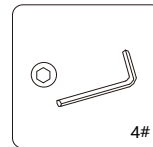
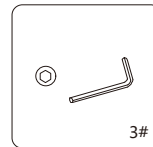
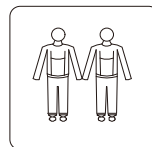
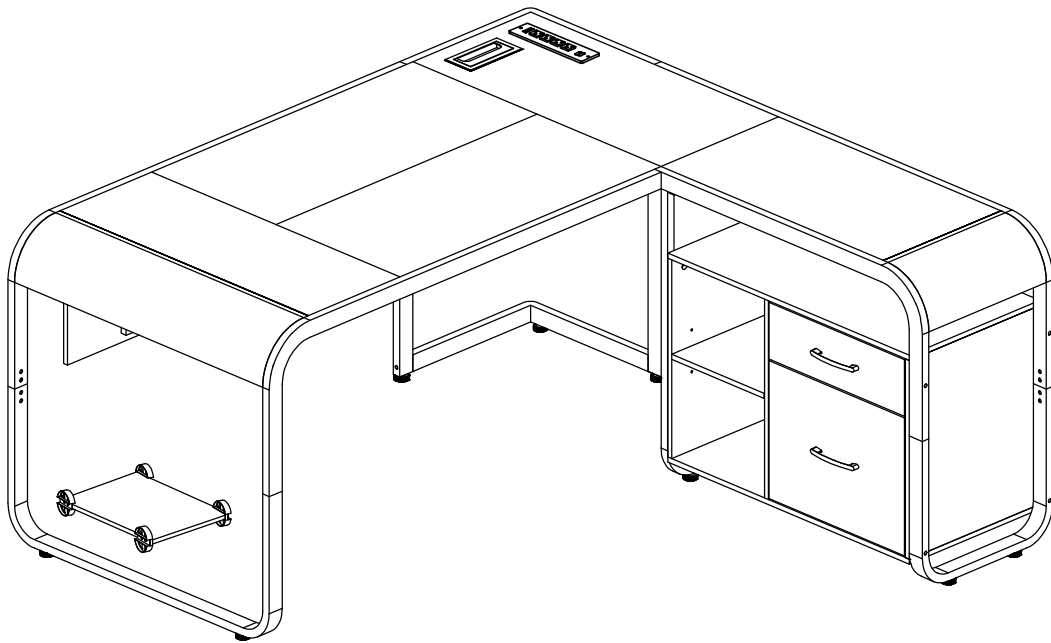


Computer Desk

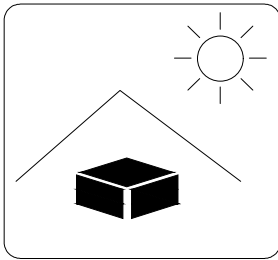


Warning : Please read this instruction manual carefully before using the product.

Package Contents

Plates and iron components	Assembly tool kit	Instruction manual
----------------------------	-------------------	--------------------

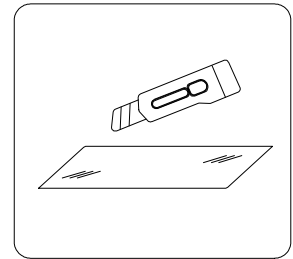
Precautions



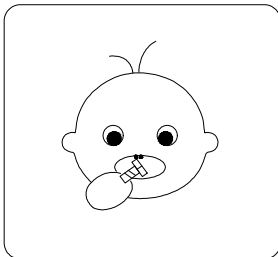
1. Avoid long-term direct sunlight exposure



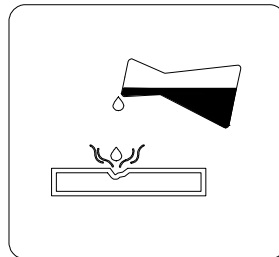
2. Stay away from fire



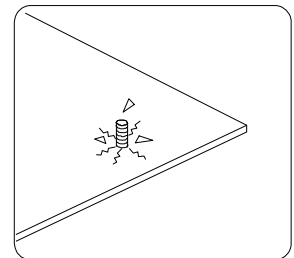
3. keep away from sharp objects



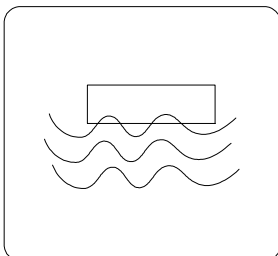
4. Keep infants/children away from assembly parts to avoid choking and suffocation.



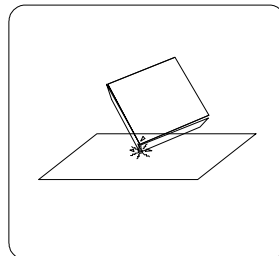
5. keep away from corrosive substances



6. Pay attention to avoid over-tightening fasteners, or they may induce cracking within the board.



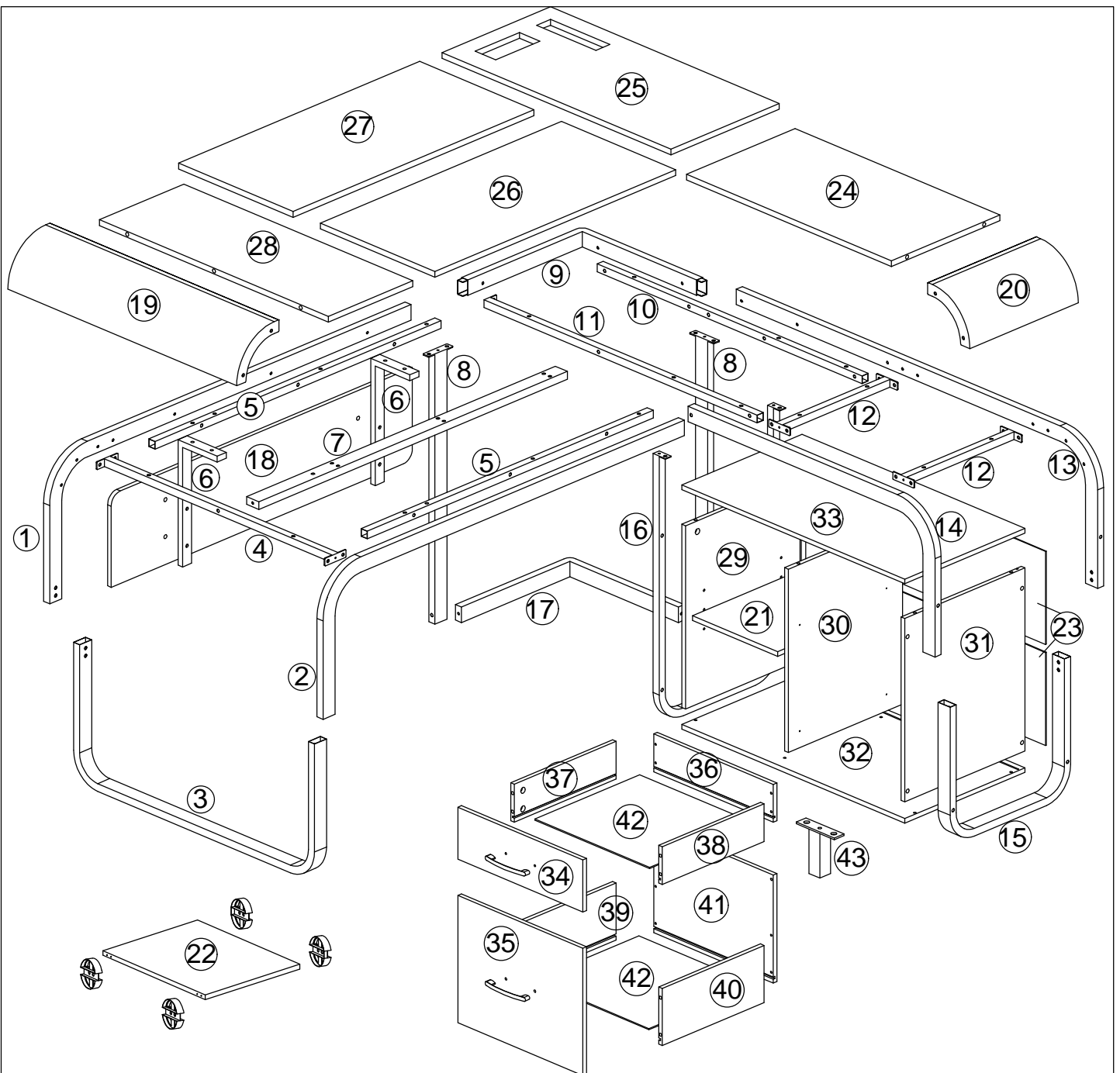
7. Prevent objects from being damaged by immersion in water


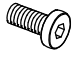

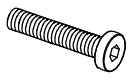
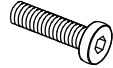
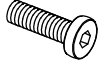
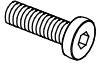


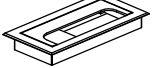




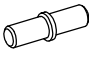
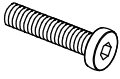




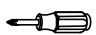



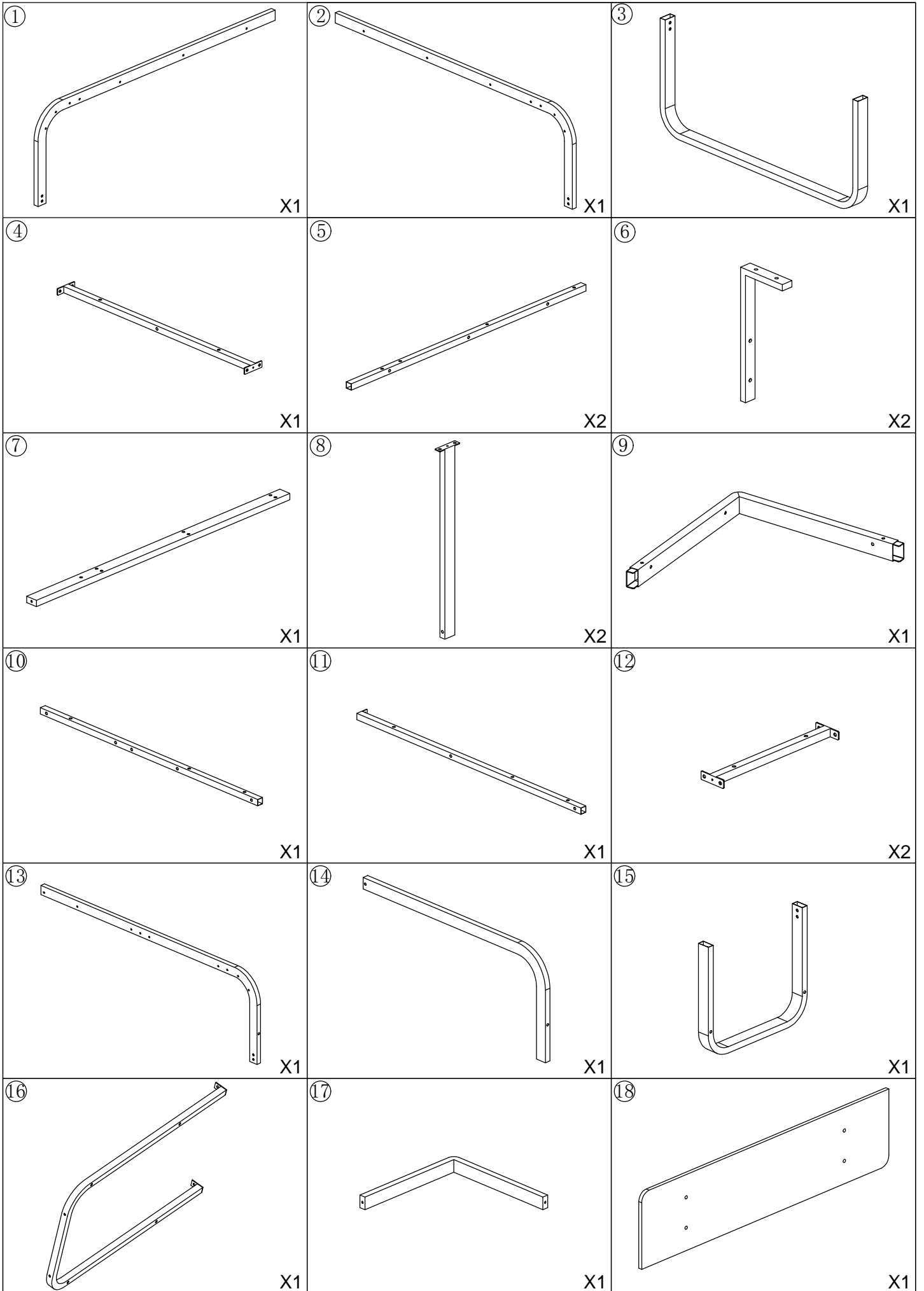
8. Prevent object collision and damage

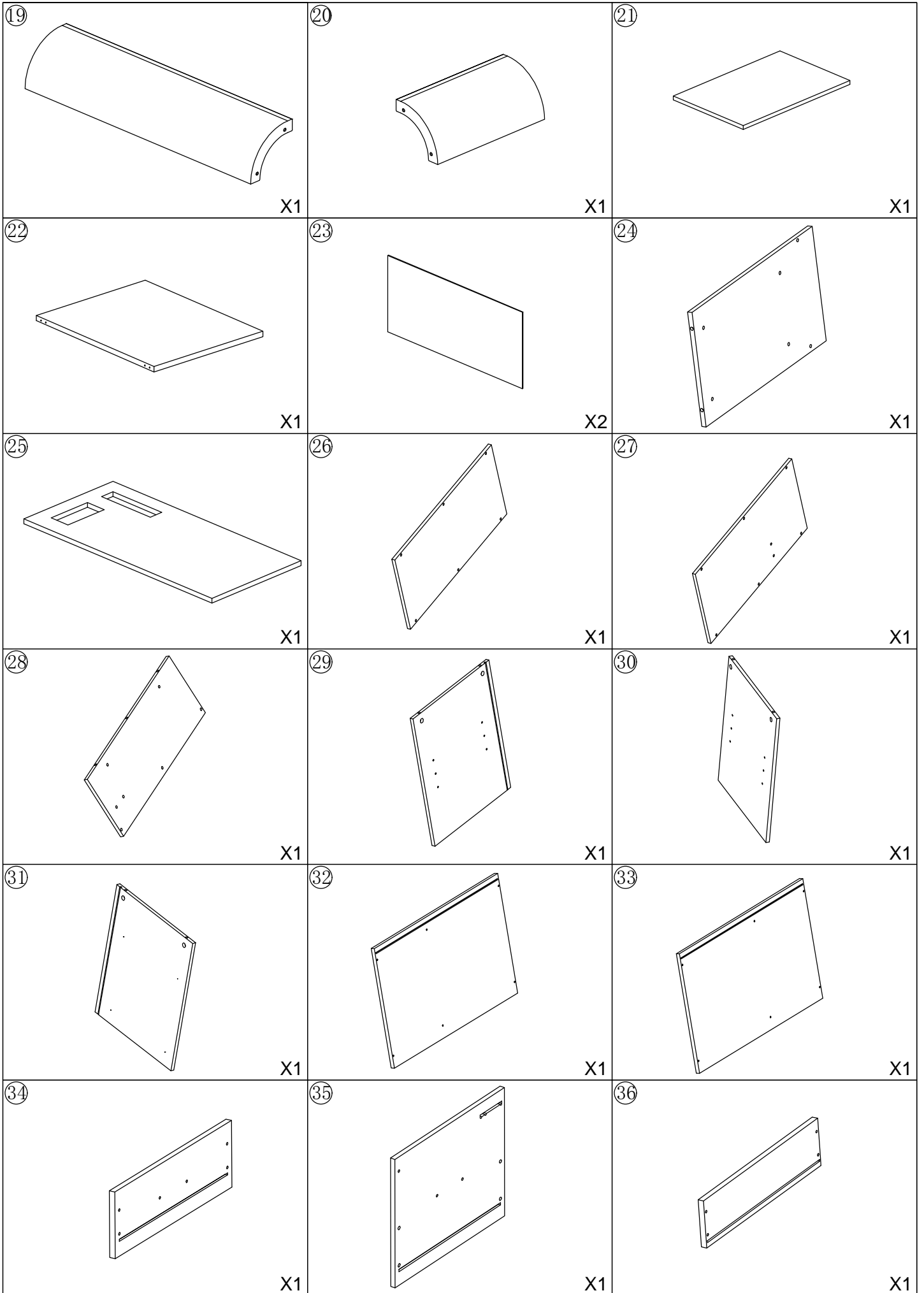


9. Be careful to avoid collisions

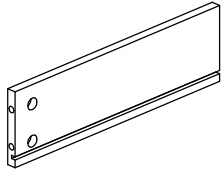


A	x9	B	x50+2	C	x4	D	x2	E	x3	F	x39+2
											
M8		M6x10				M6x55		M6x35		M6x30	
G	x12+1	H	x1	I	x26+2	J	x1	K	x2	L	x14+1
											
M6x25				ST3.5X12				350MM		M5x38	
M	x14+1	N	x4	O	x4	P	x2	Q	x2	R	x4
											
M1	M2			M6x45							
S	x1	T	x1								
											
M4											
M3											



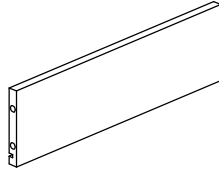


37



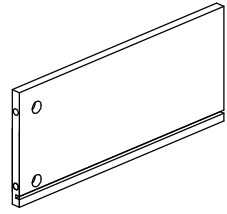
X1

38



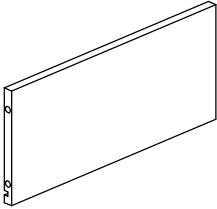
X1

39



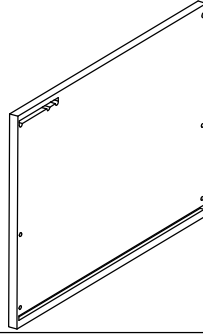
X1

40



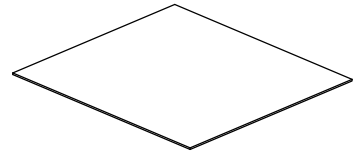
X1

41



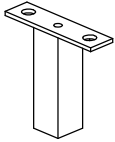
X1

42



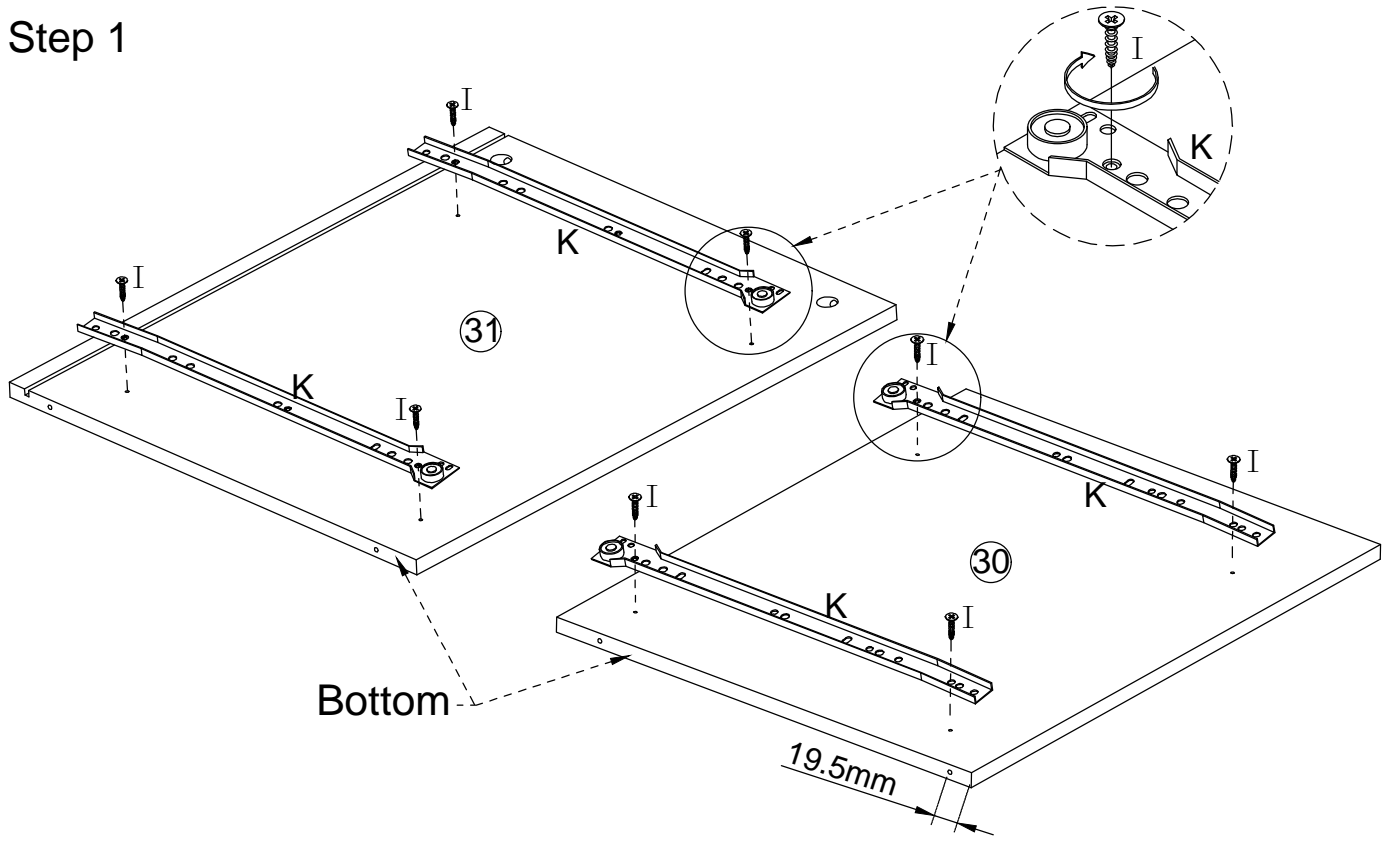
X2

43





X1

Step 1



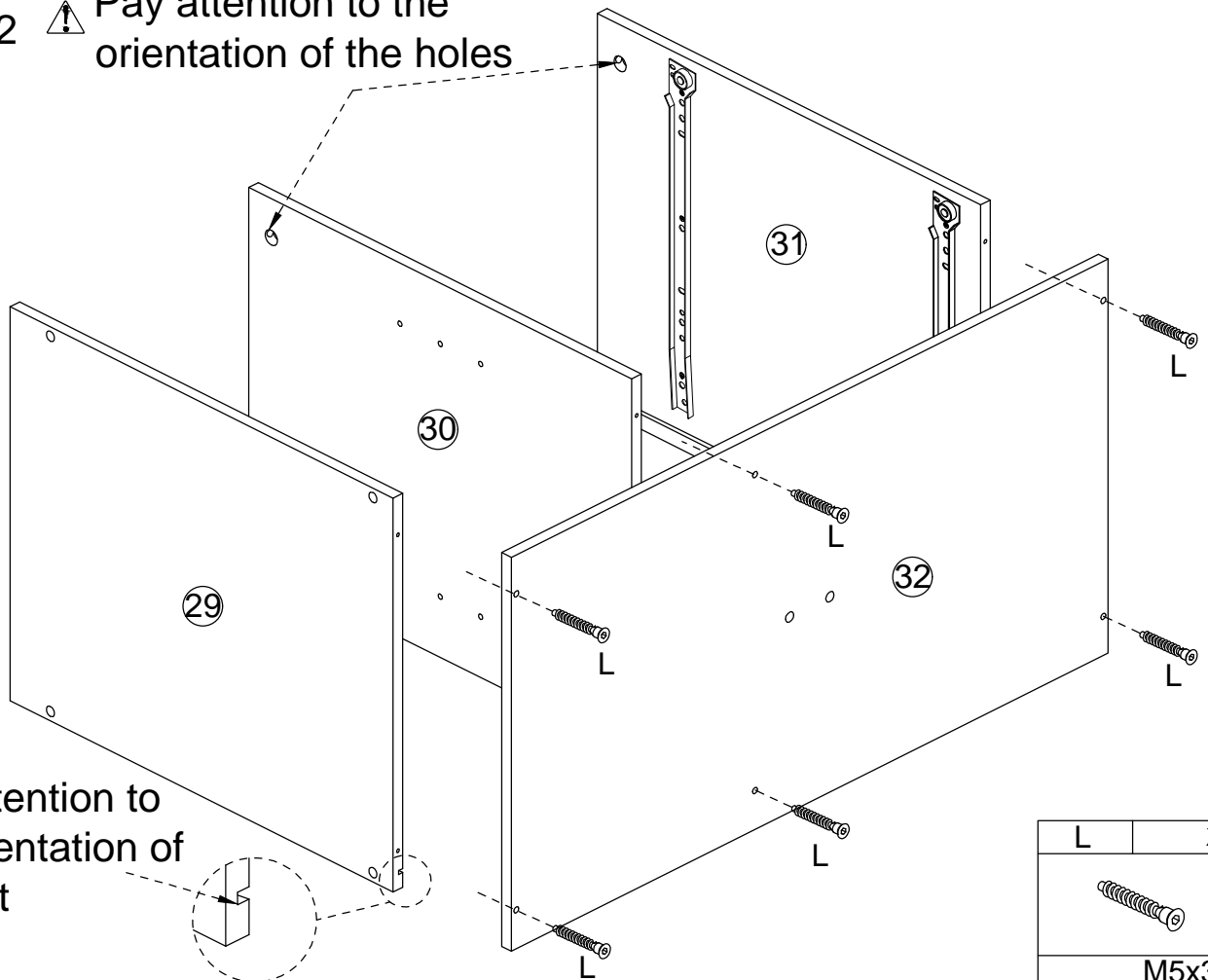
Bottom

19.5mm


I	x8	K	x4
			
ST3.5x12mm		350MM	

Step 2

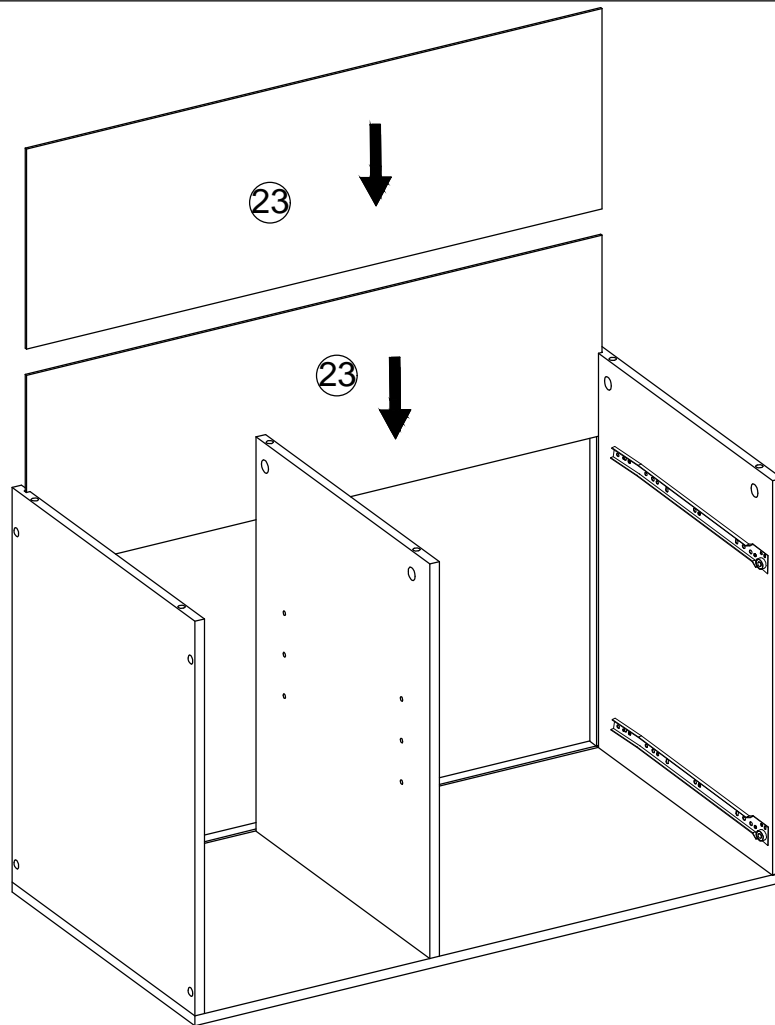
⚠ Pay attention to the orientation of the holes



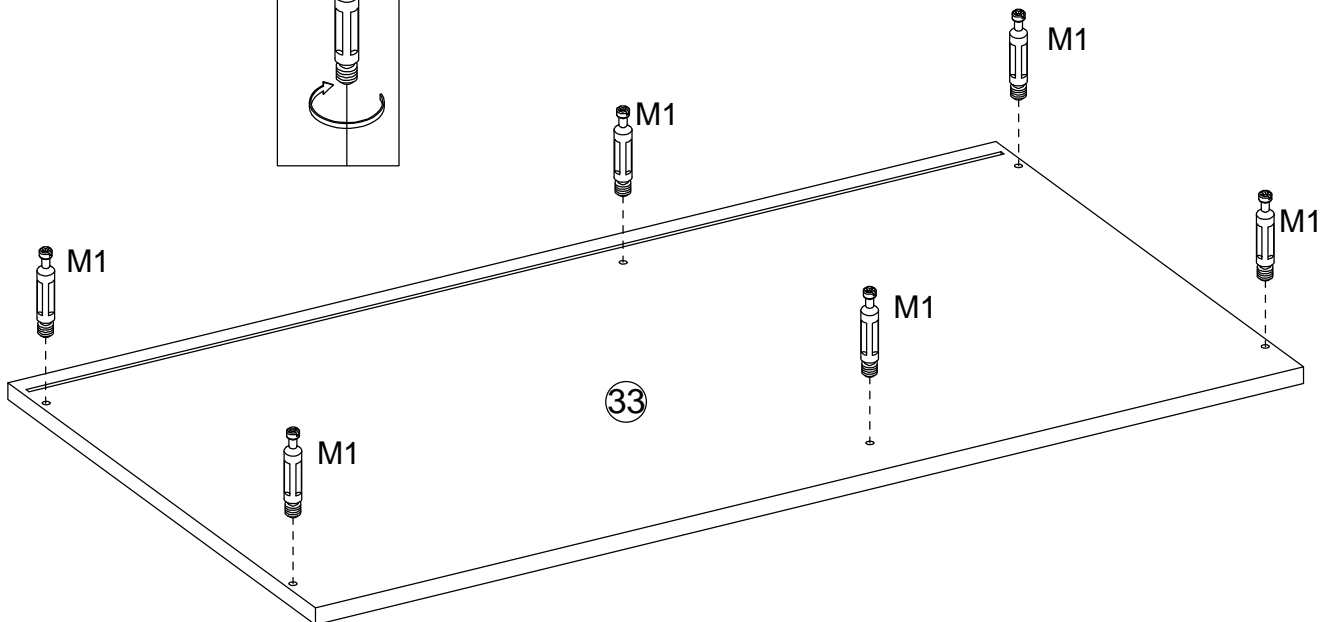
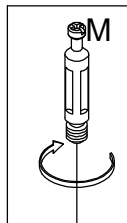
⚠ Pay attention to the orientation of the slot

L	x6
	
M5x38	

Step 3

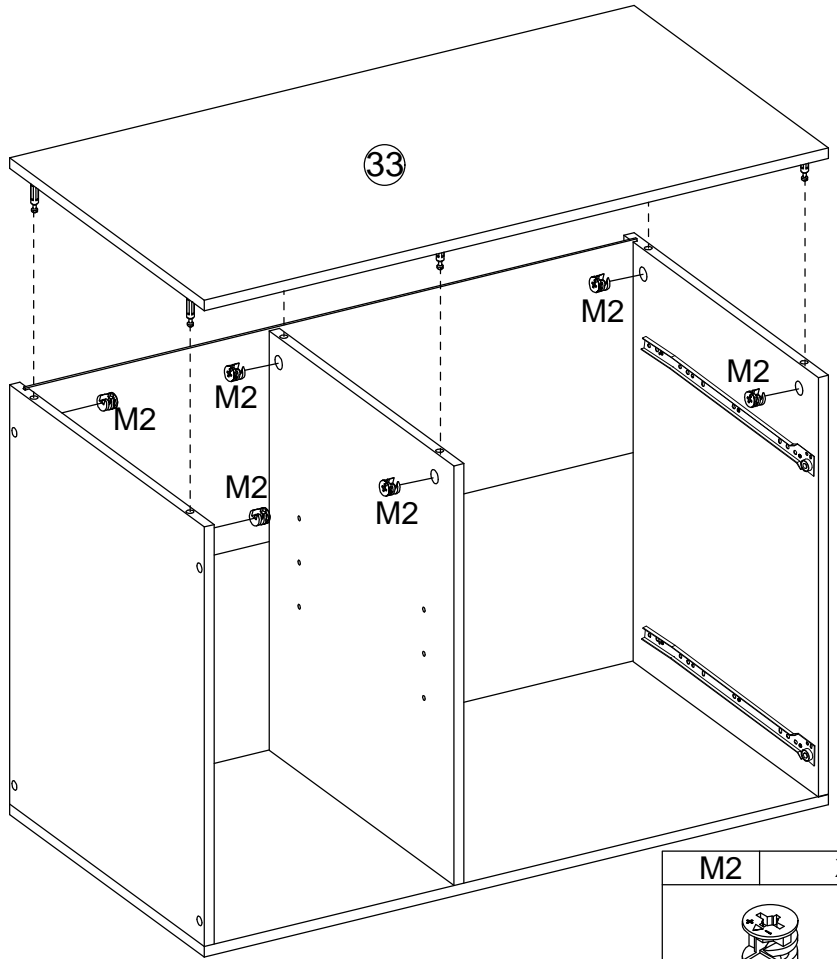
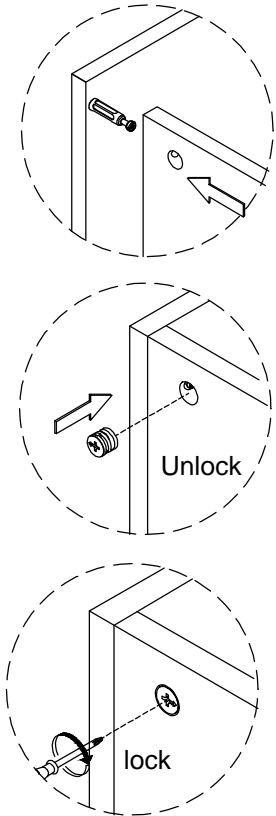


Step 4



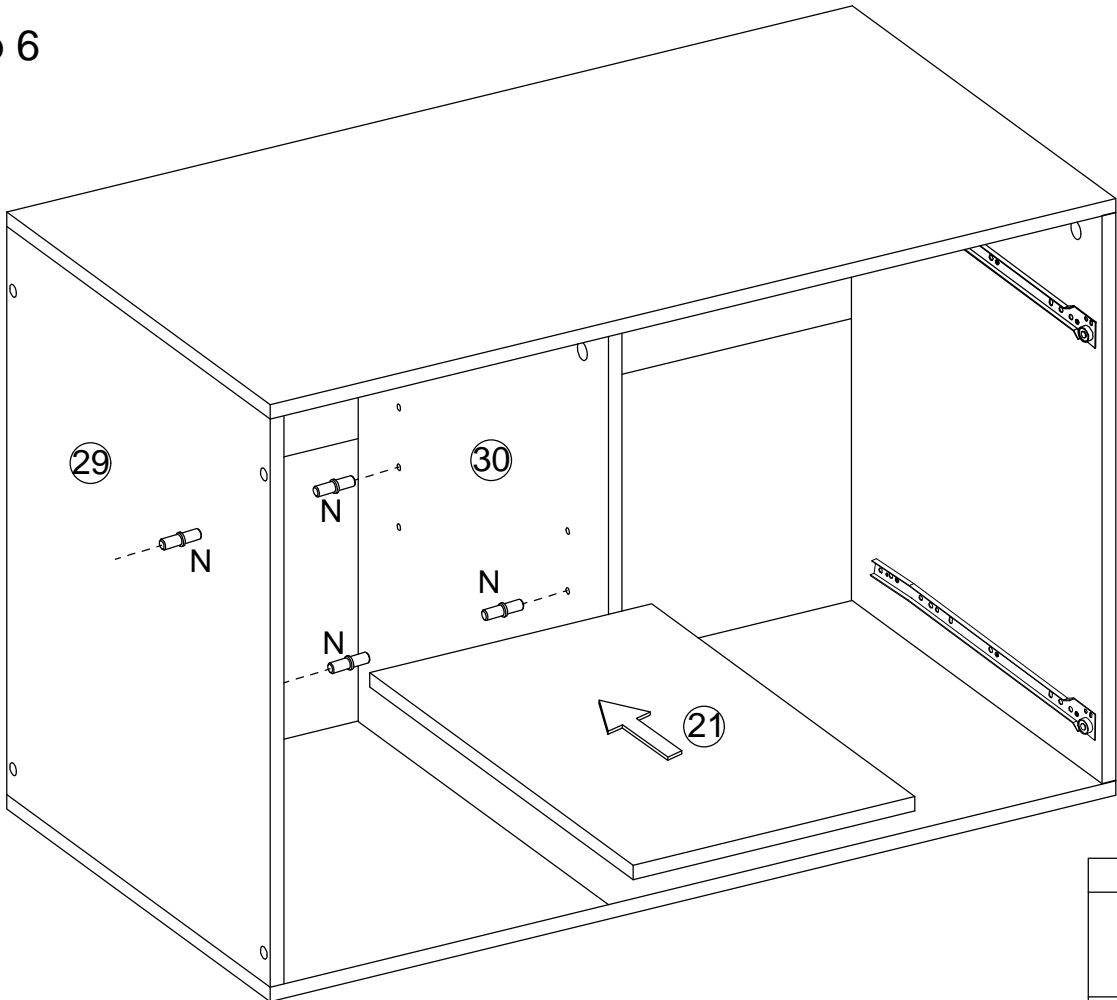
M1	X6

Step 5



M2	X6

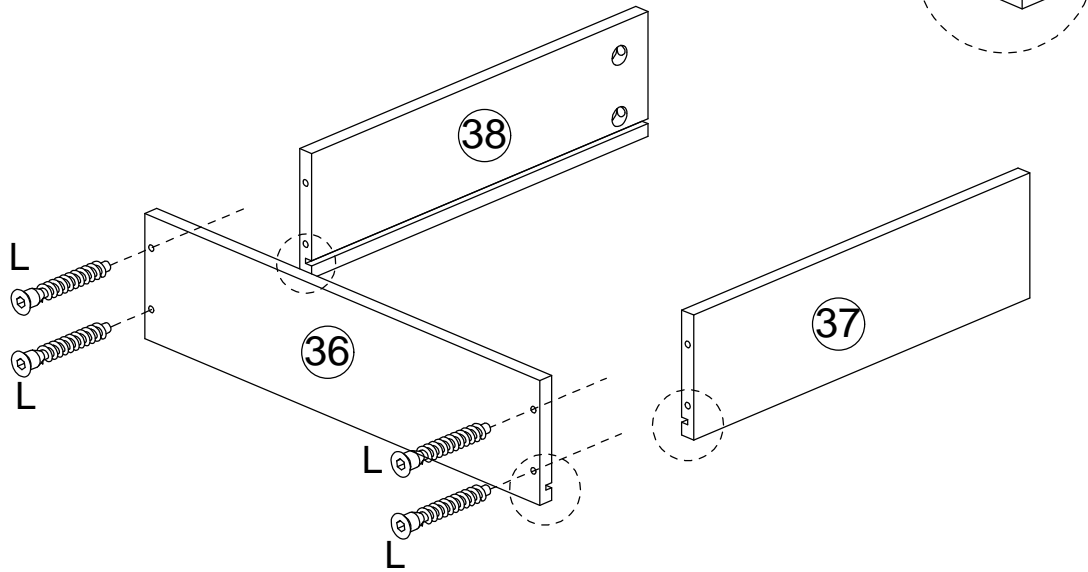
Step 6




N	X4

Step 7

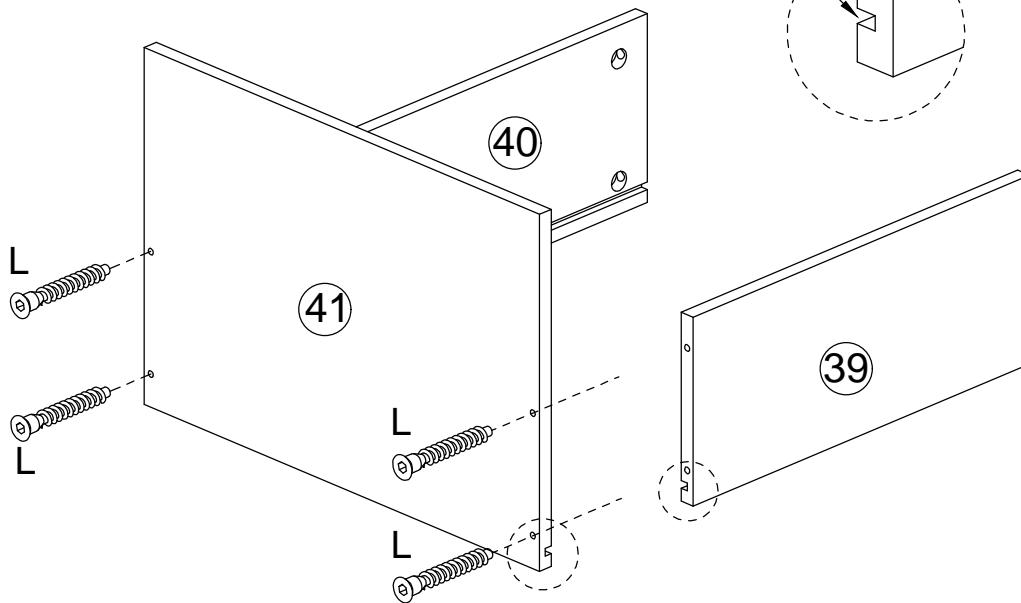
⚠ Pay attention to the slots need to be aligned




L	X4
	
M5x38	

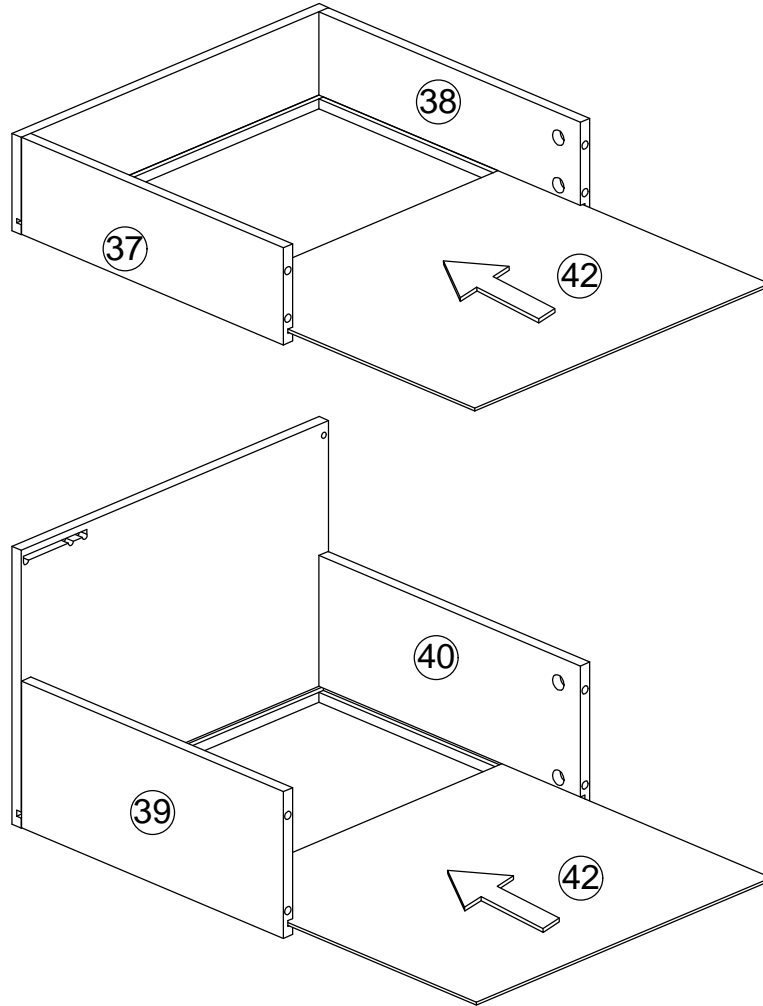
Step 8

⚠ Pay attention to the slots need to be aligned

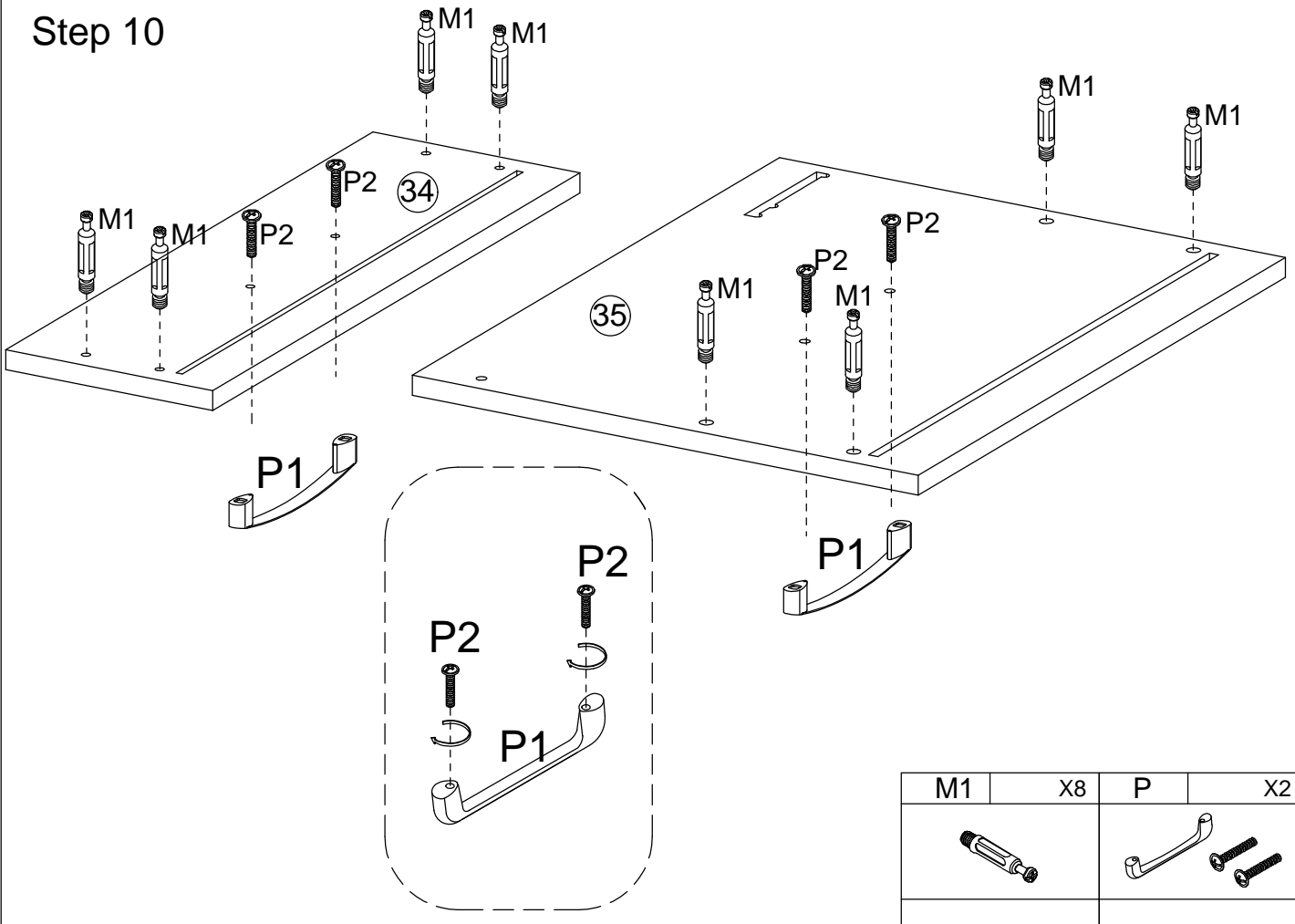


L	X4
	
M5x38	

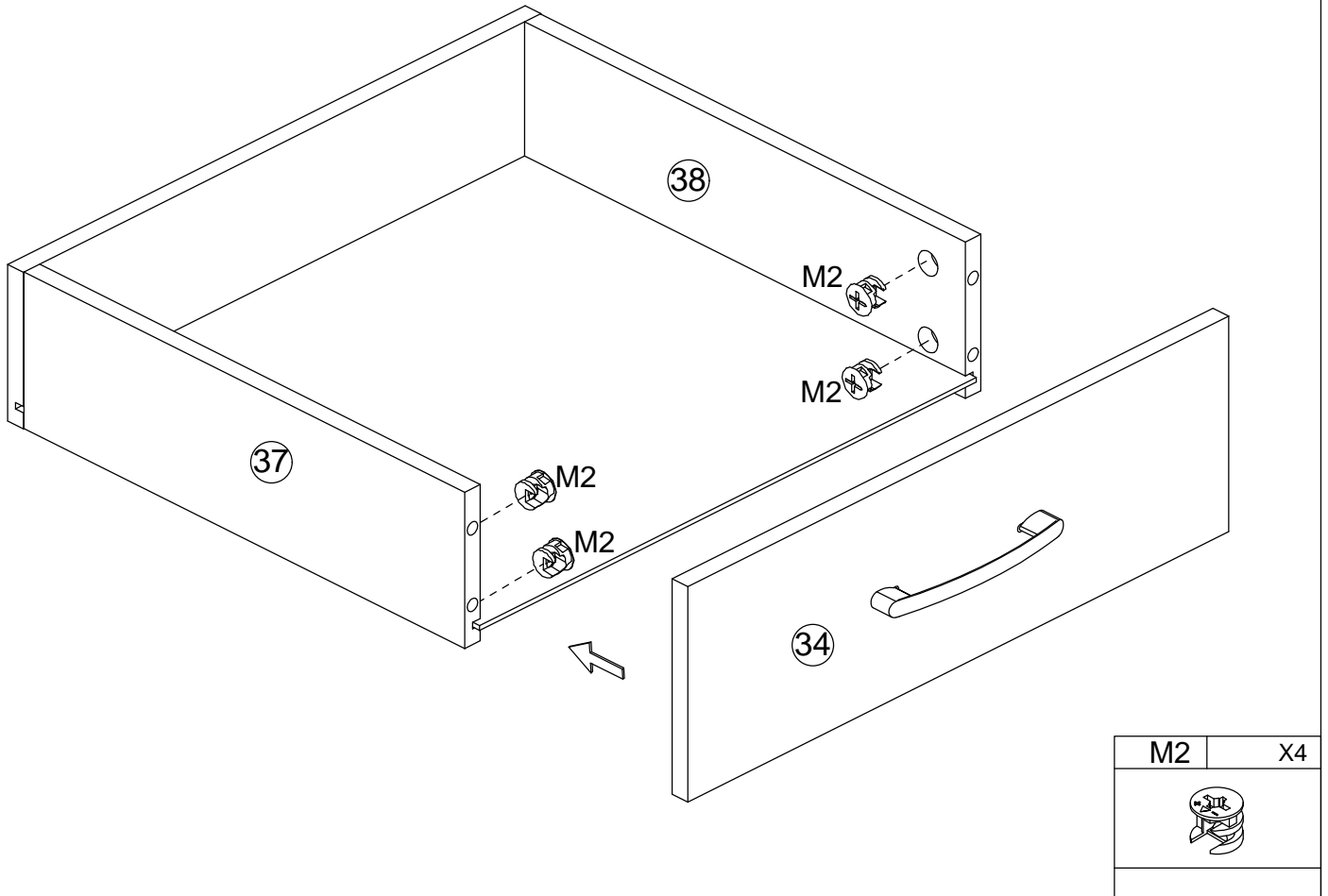
Step 9




Step 10

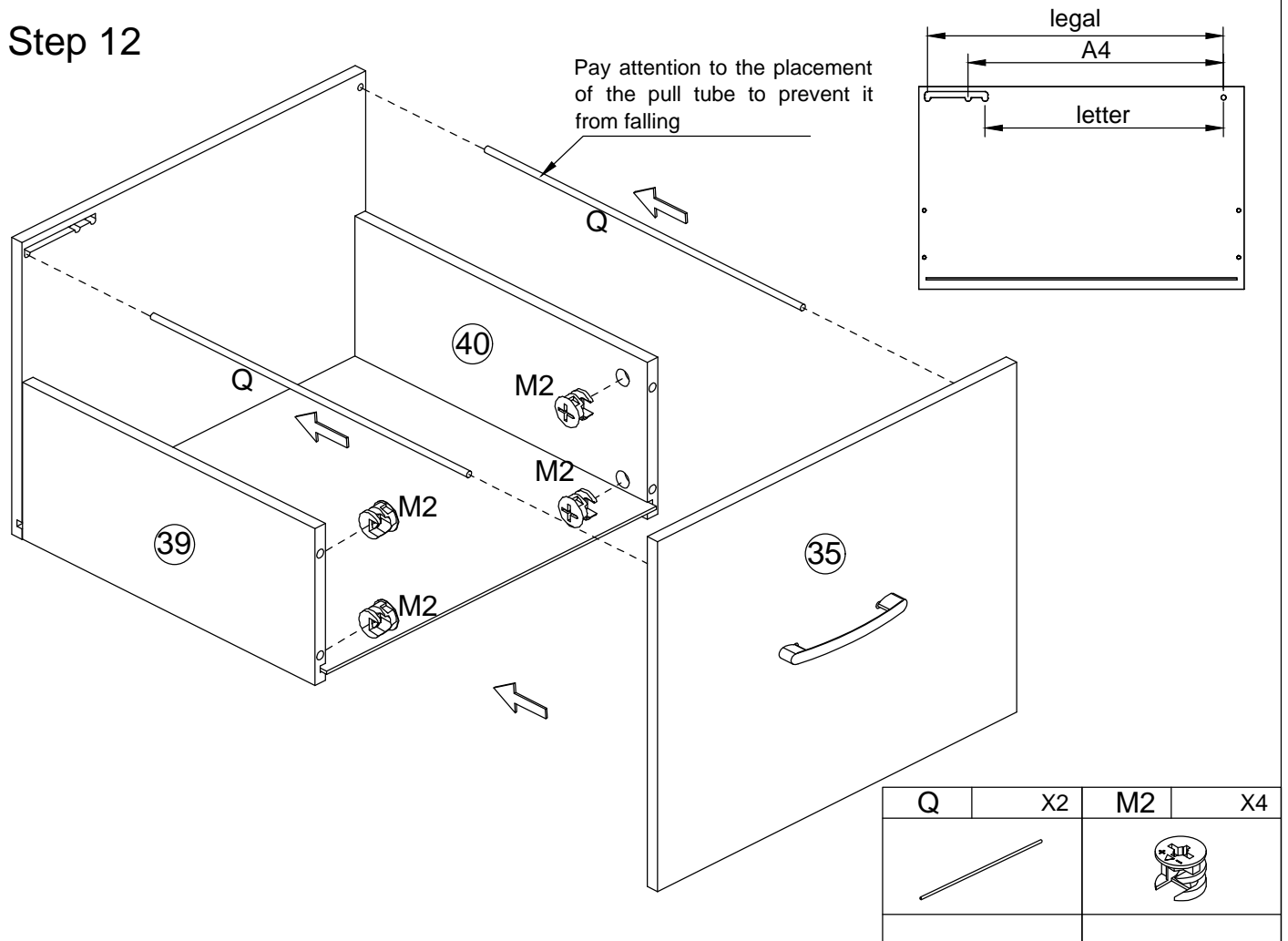




Step 11



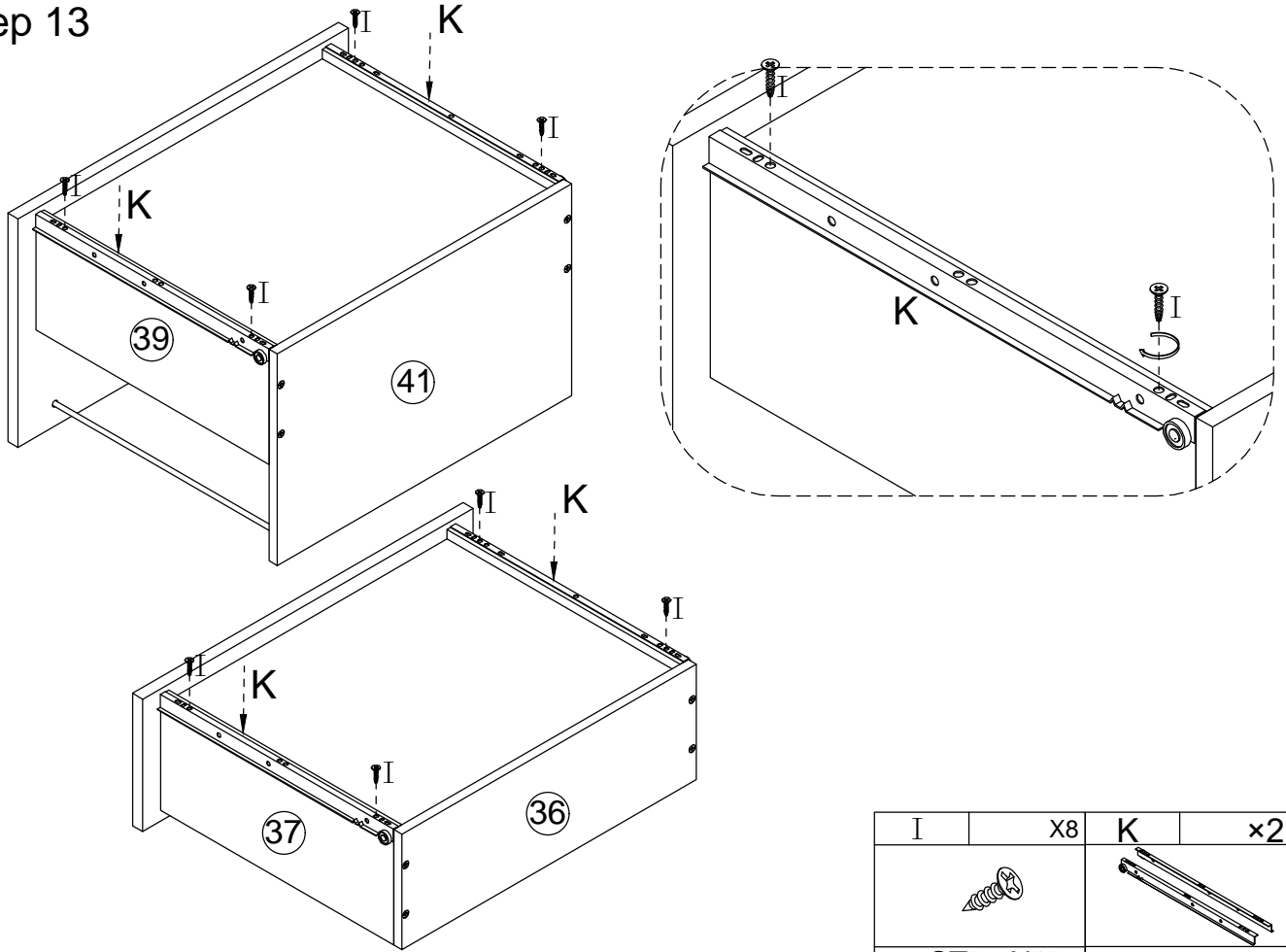
M2	X4
	


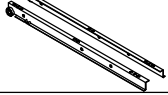
Step 12



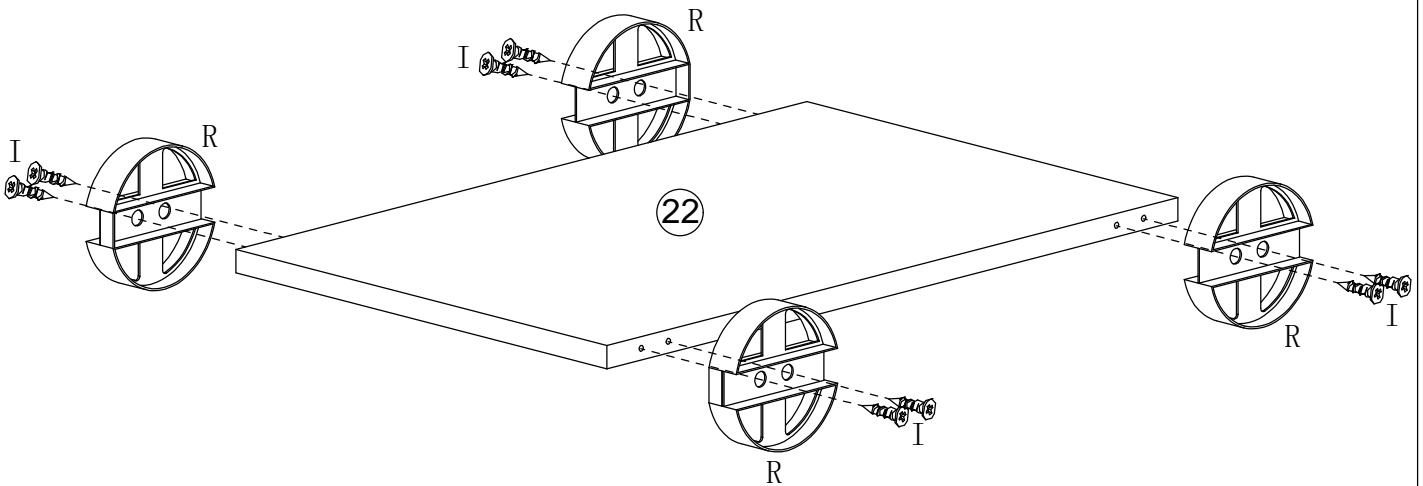
Q	X2	M2	X4
			



Step 13



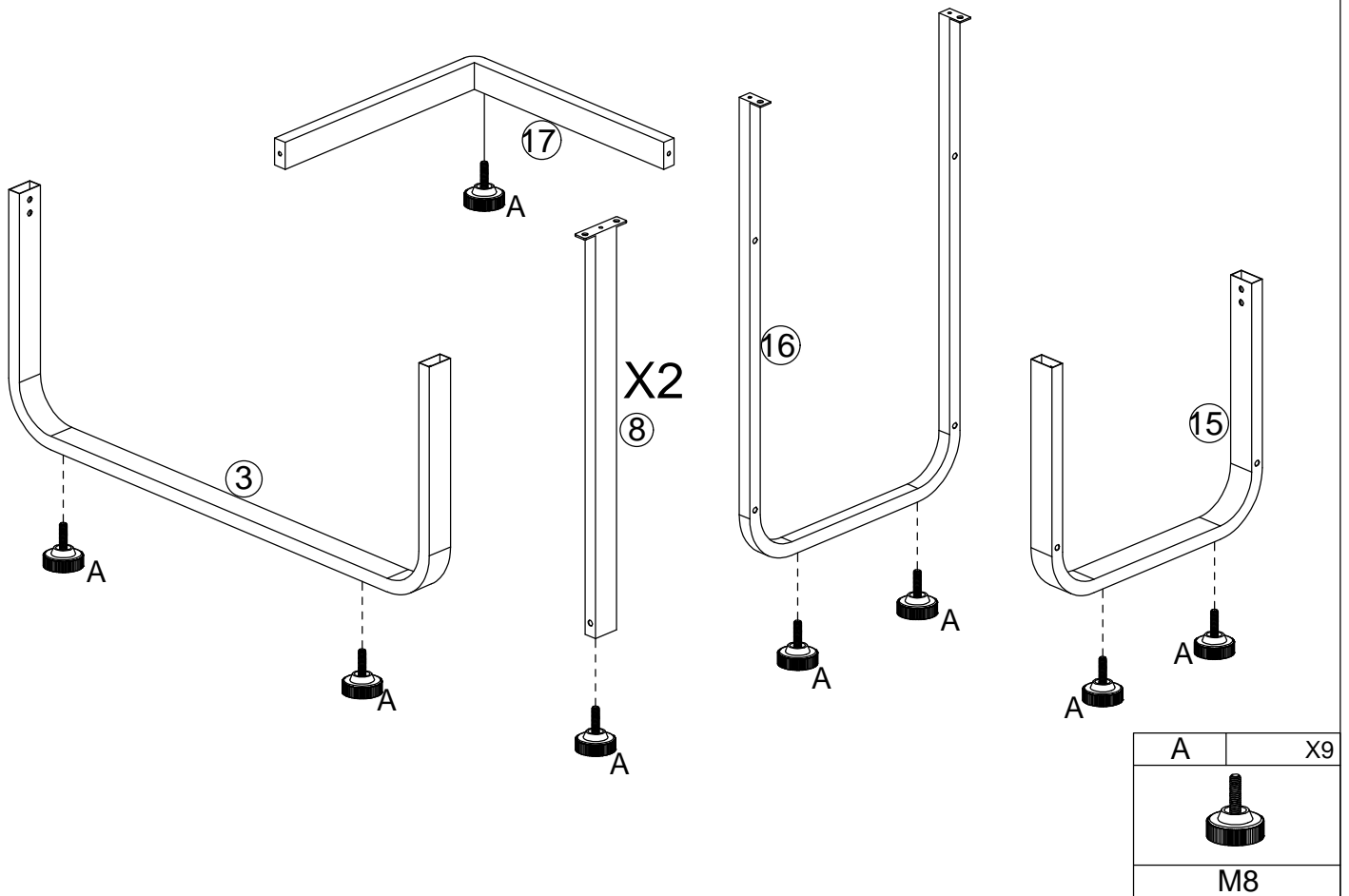
I	X8	K	X2
			
ST3.5X12		350MM	

Step 14



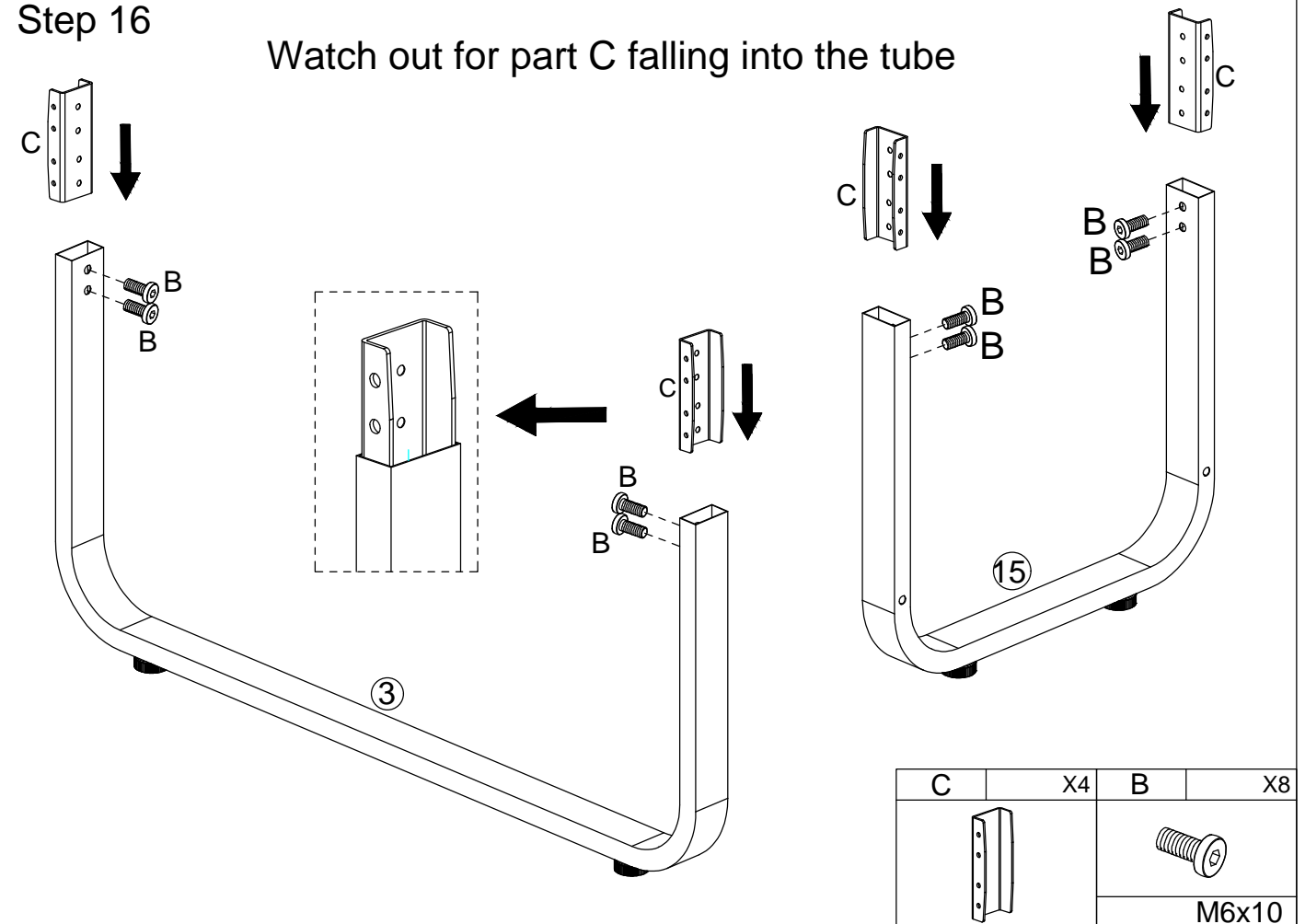
R	X4	I	X8
			
		ST3.5X12	

Step 15



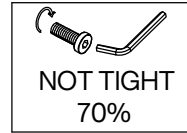
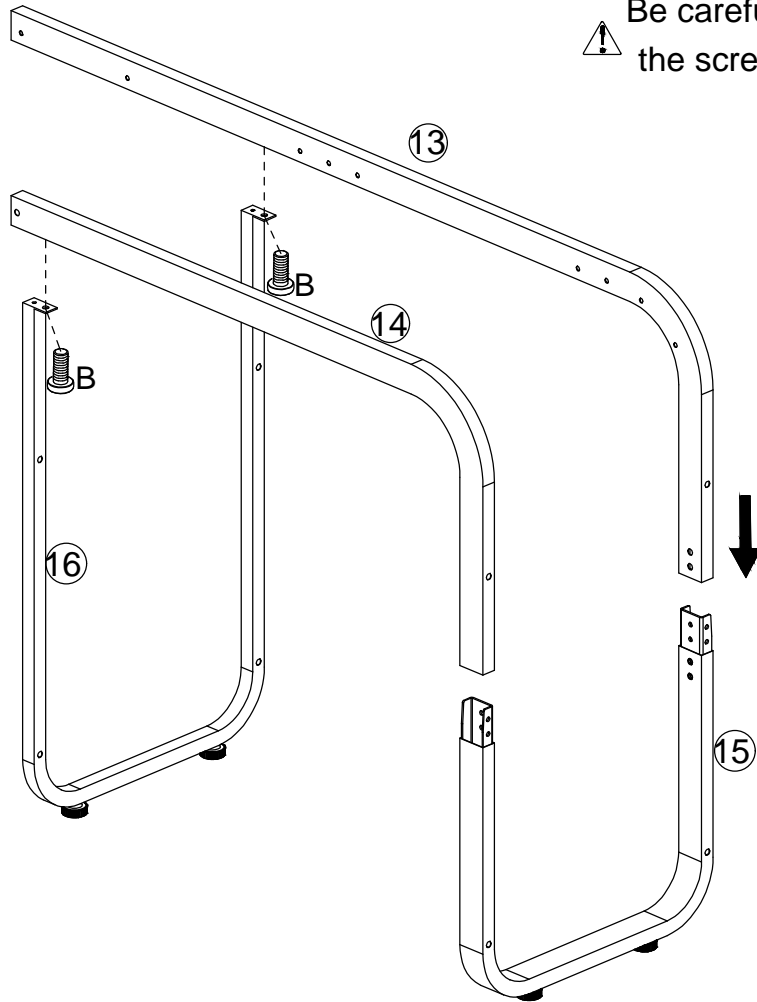
Step 16

Watch out for part C falling into the tube



Step 17

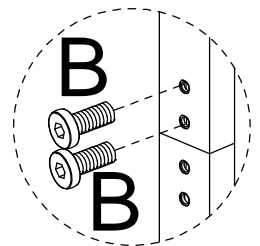
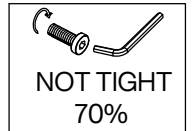
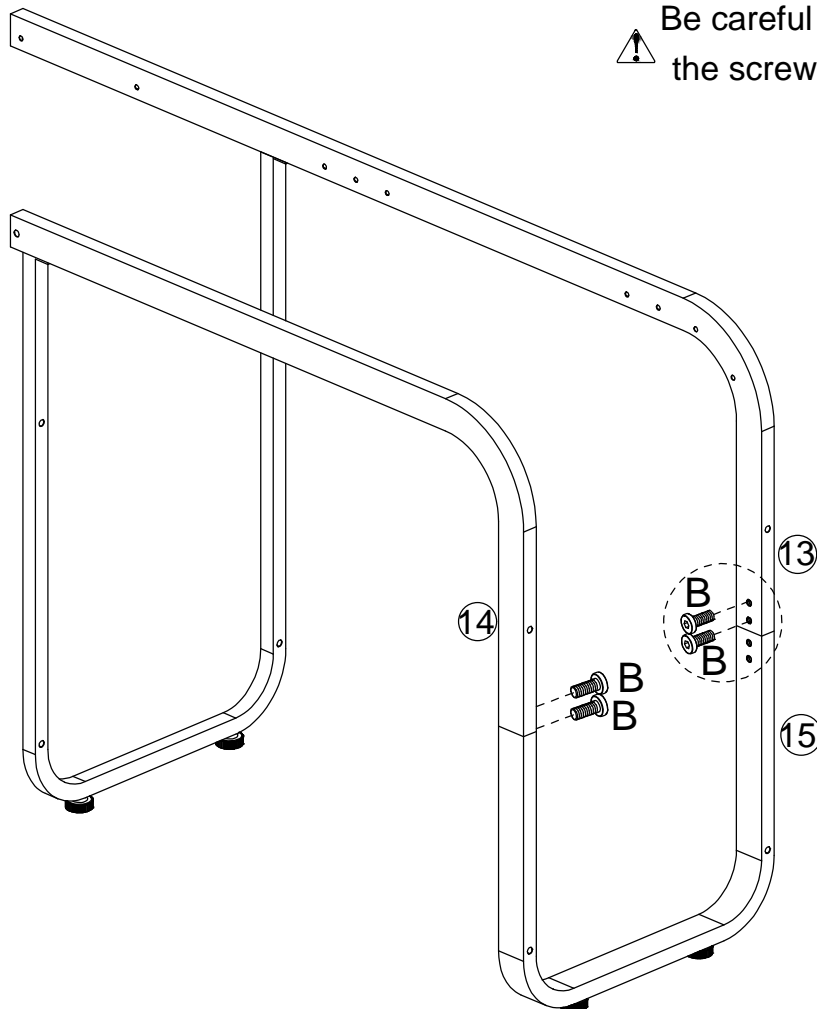
⚠ Be careful not to overtighten the screws.



B	X2
M6x10	

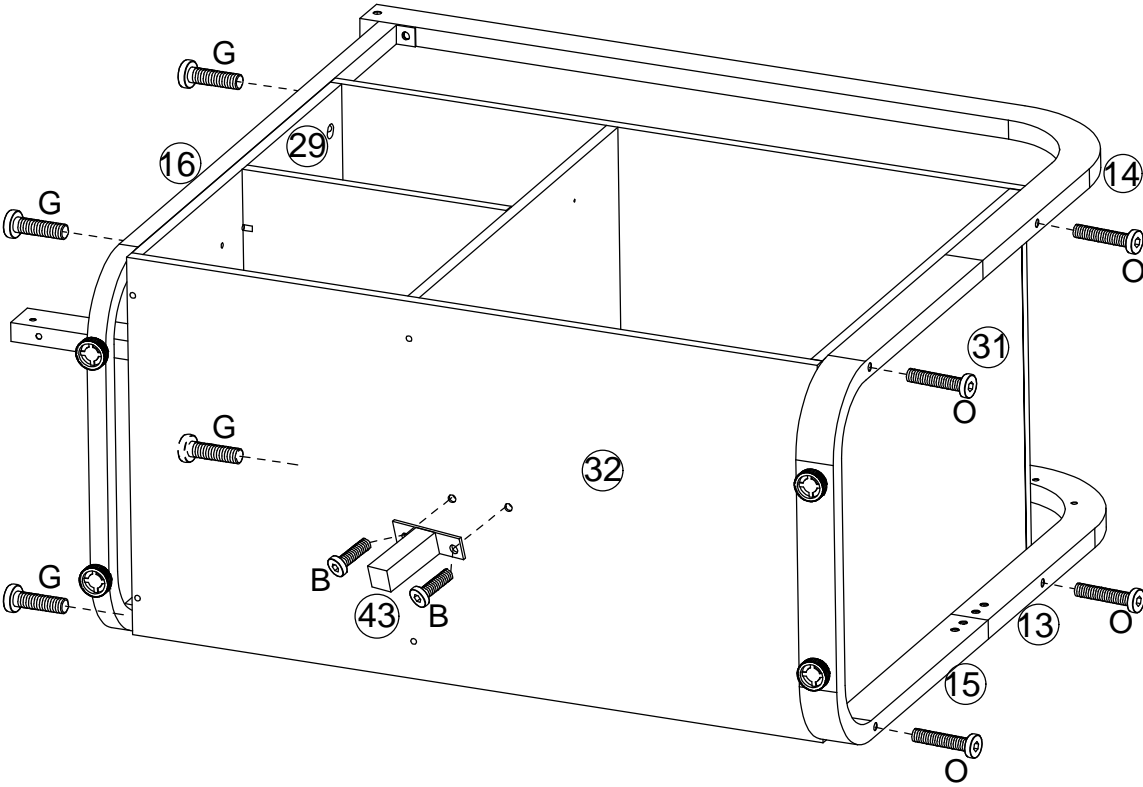
Step 18

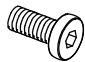
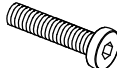
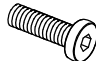
⚠ Be careful not to overtighten the screws.



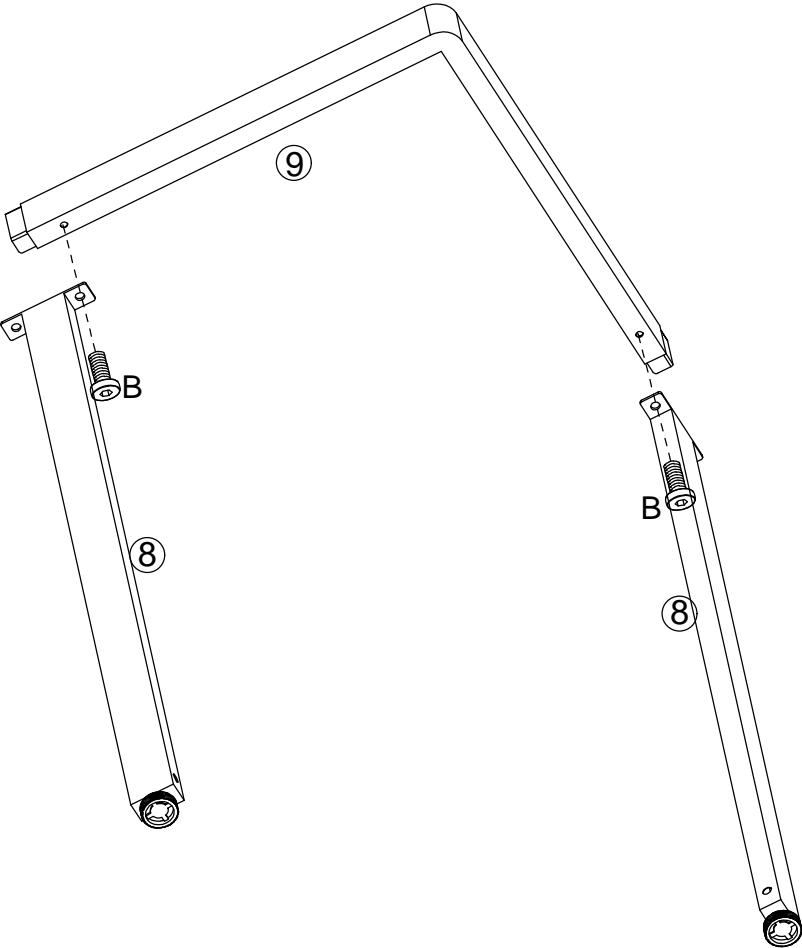
B	X4
M6x10	

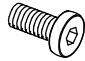
Step 19



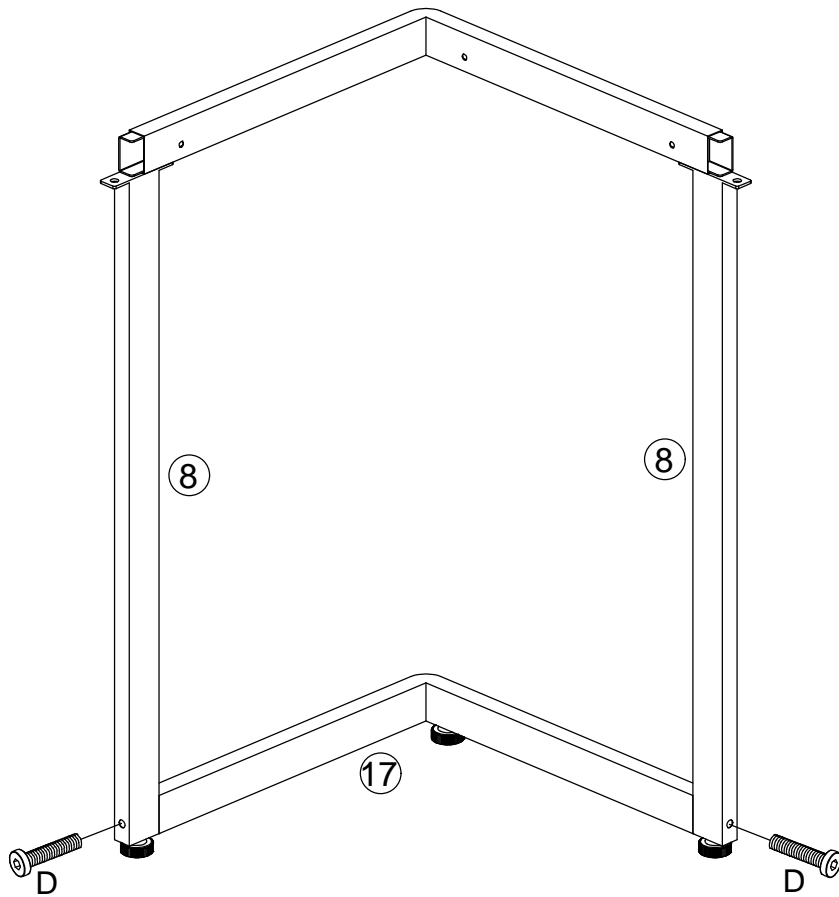
B	X2
	
M6x10	
O	X4
	
M6x45	
G	X4
	
M6x25	

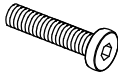
Step 20



B	X2
	
M6x10	

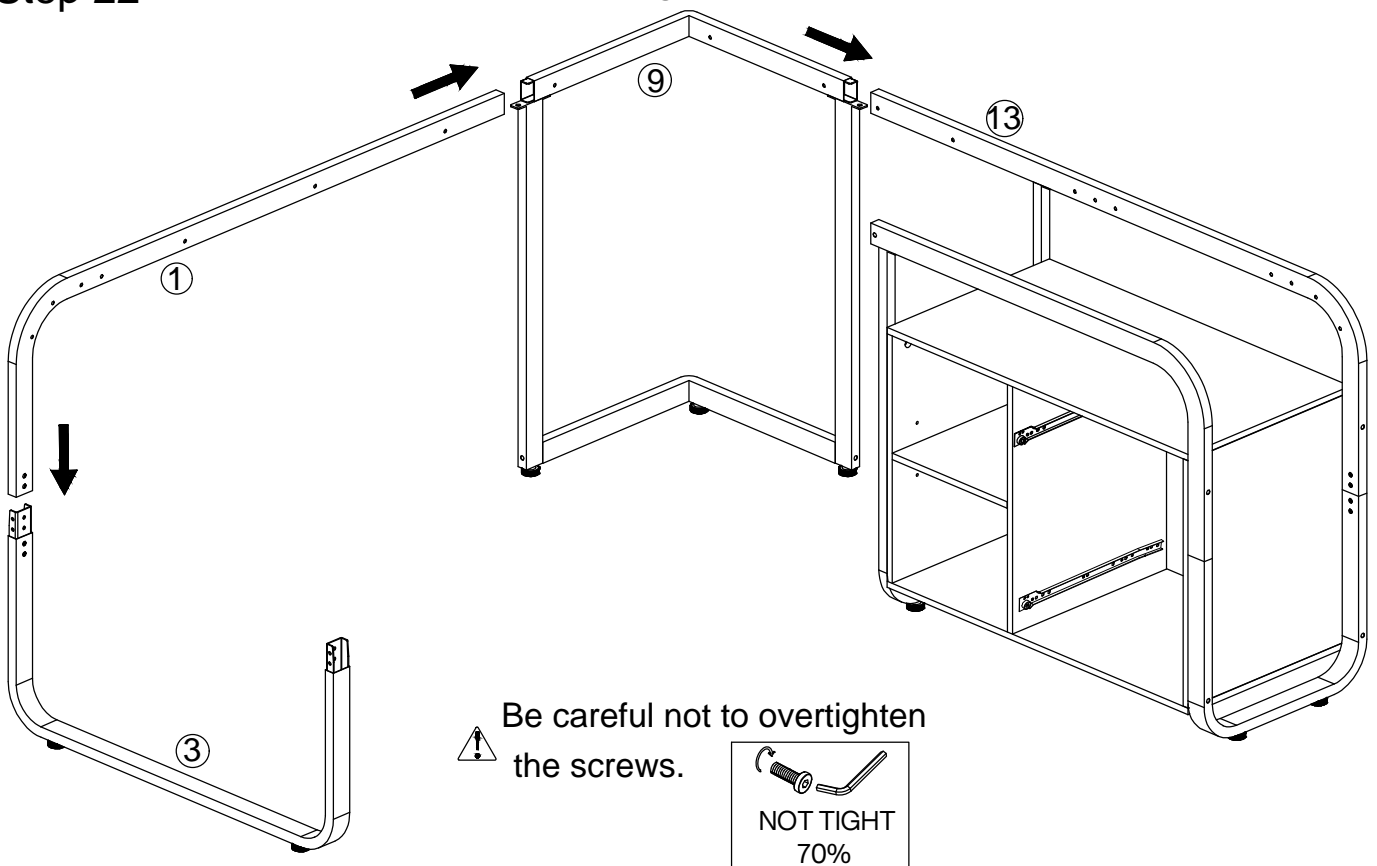
Step 21



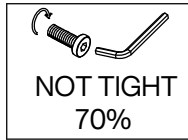
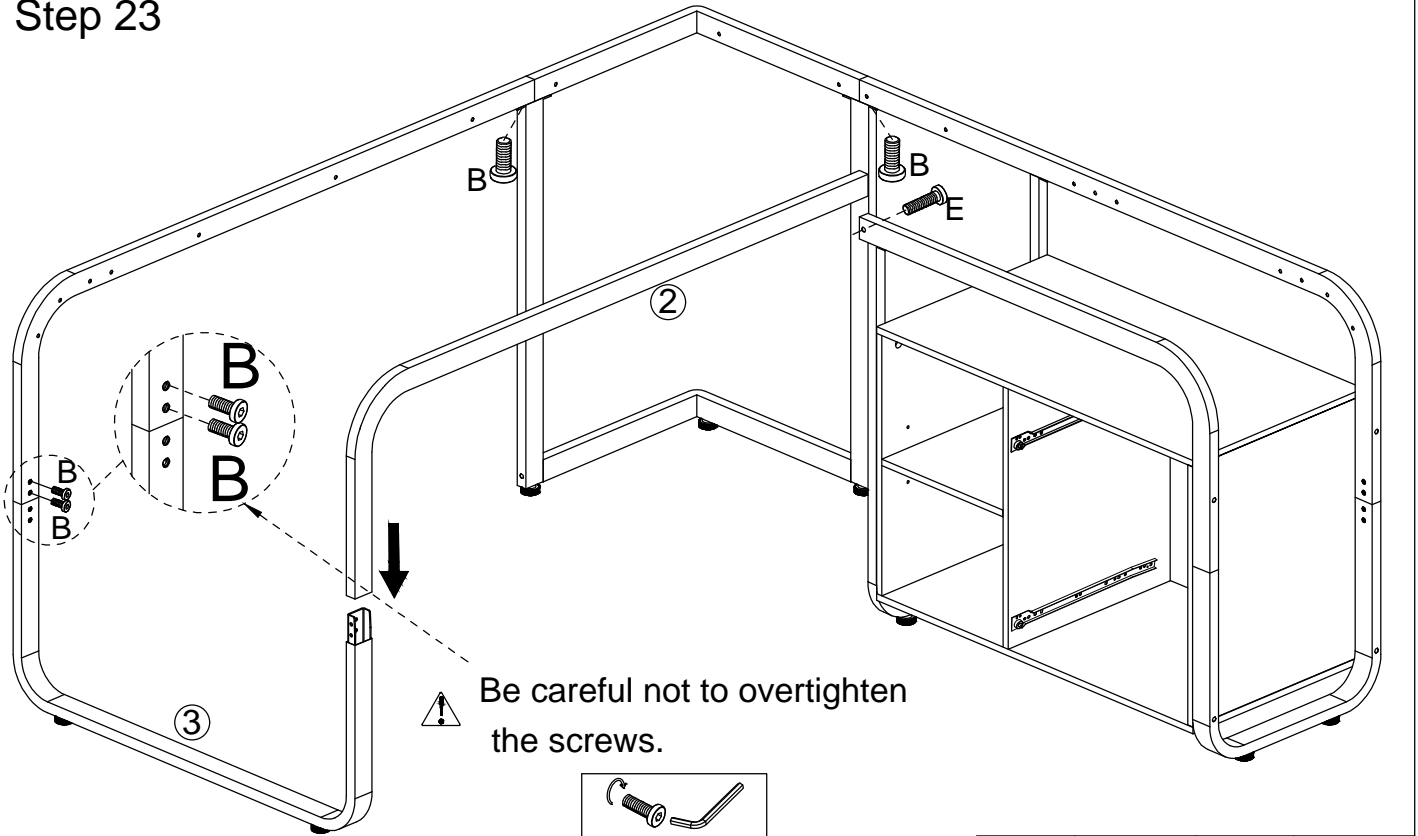
D	X2
	
M6x55	

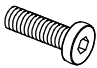
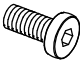
Step 22

Insert parts 3 and 1 together first

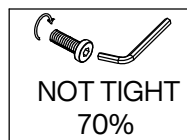
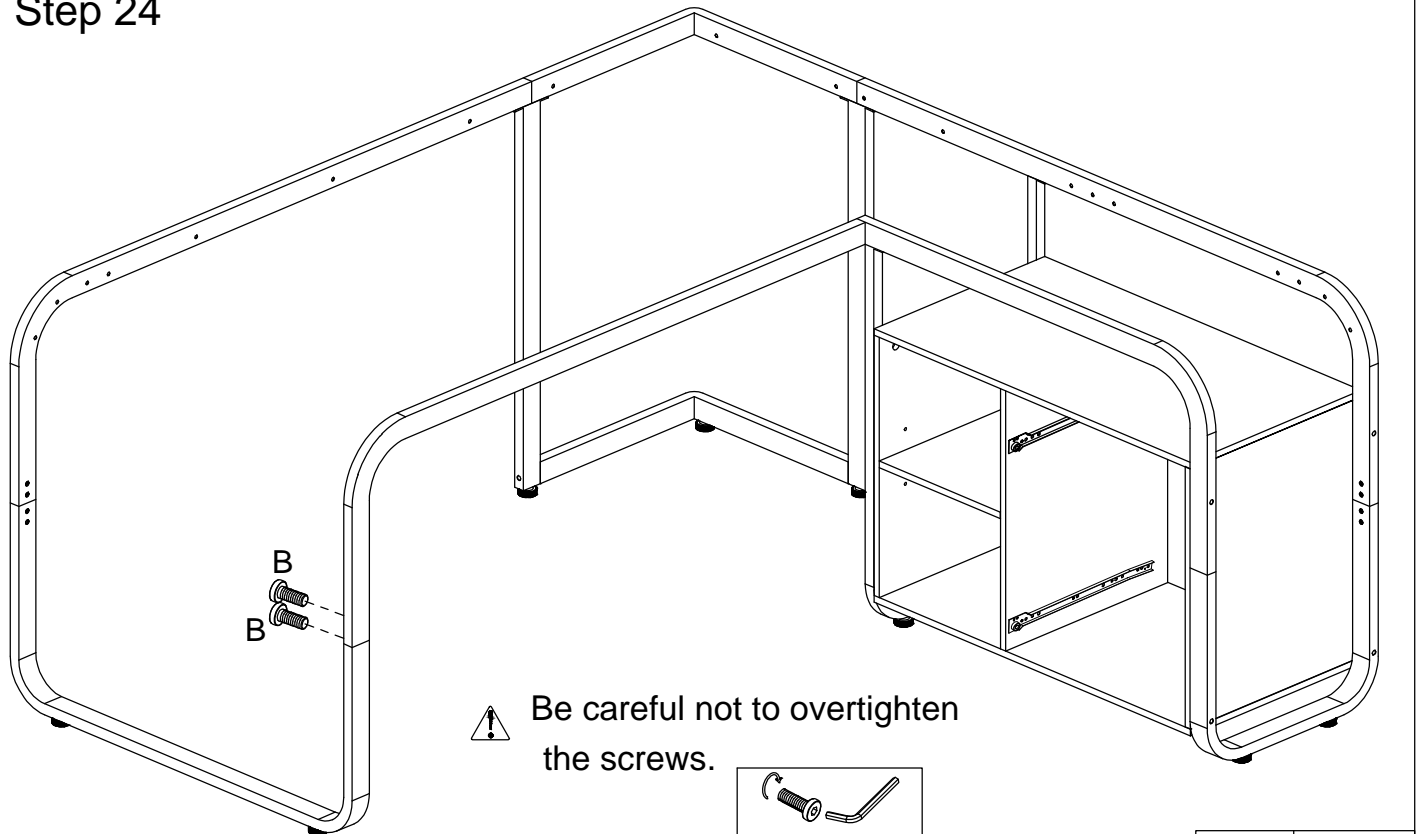


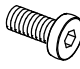
Step 23



E	X1	B	X4
			
M6x35		M6x10	

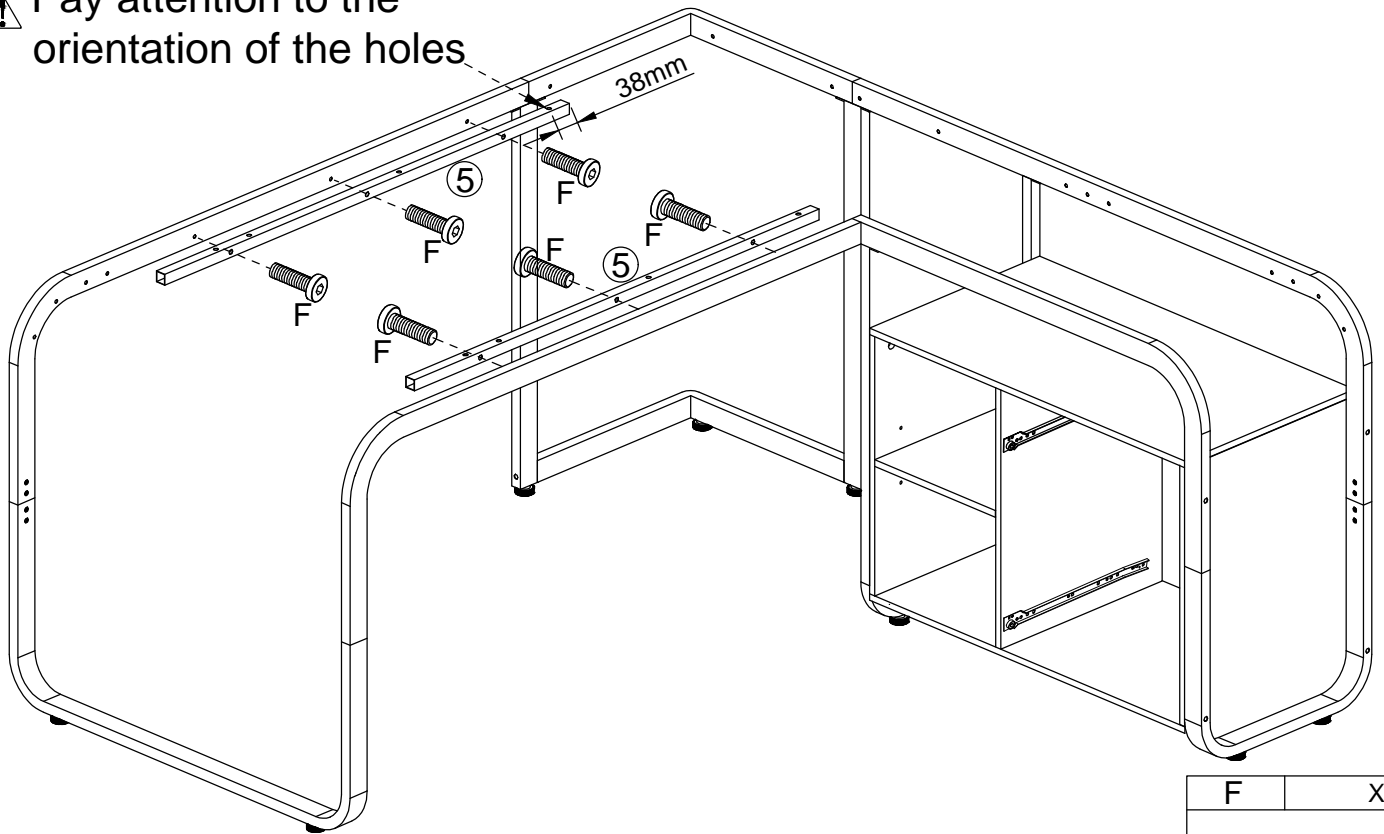
Step 24

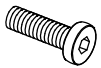


B	X2
	
M6x10	

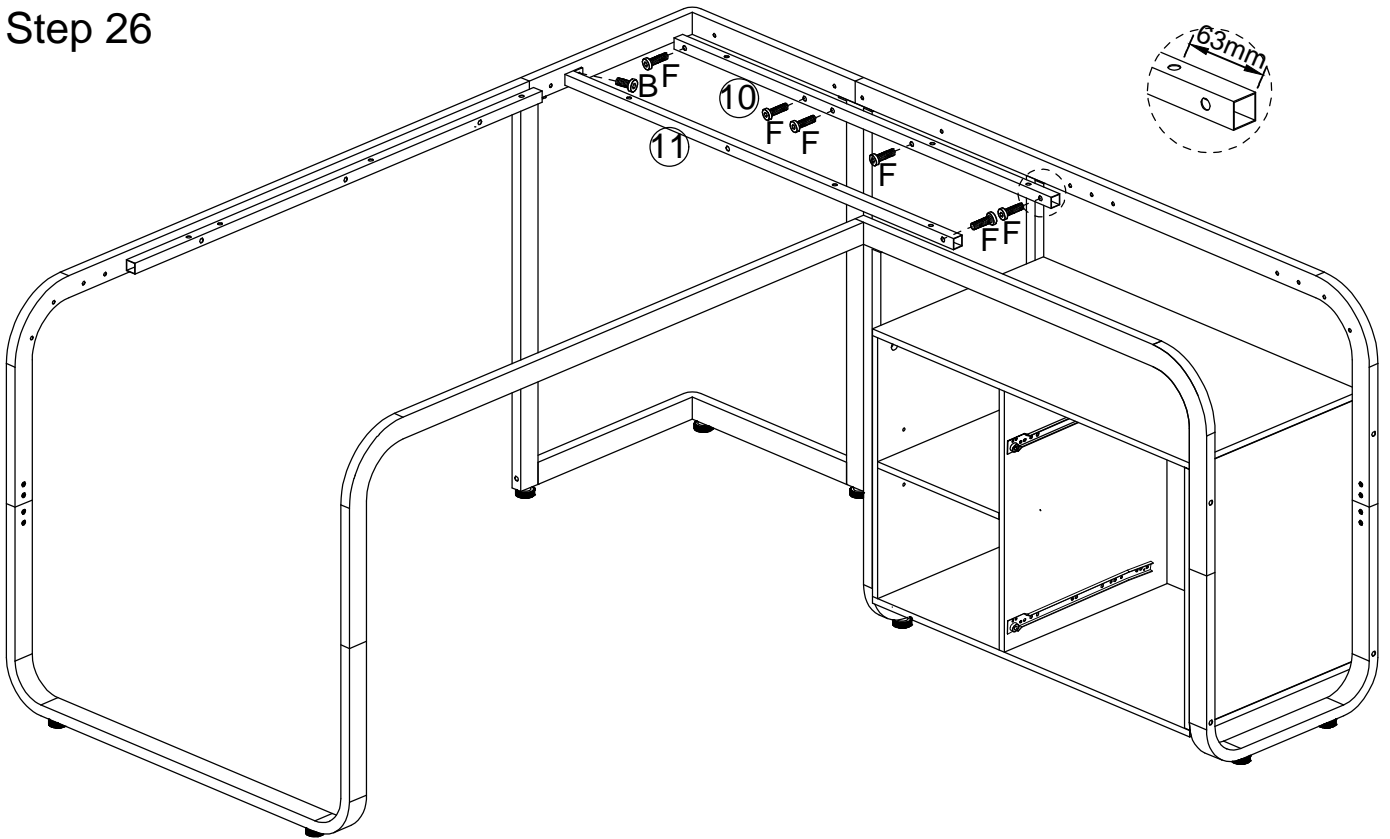
Step 25

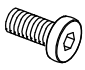
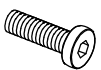
⚠ Pay attention to the orientation of the holes





F	X6
	
M6x30	

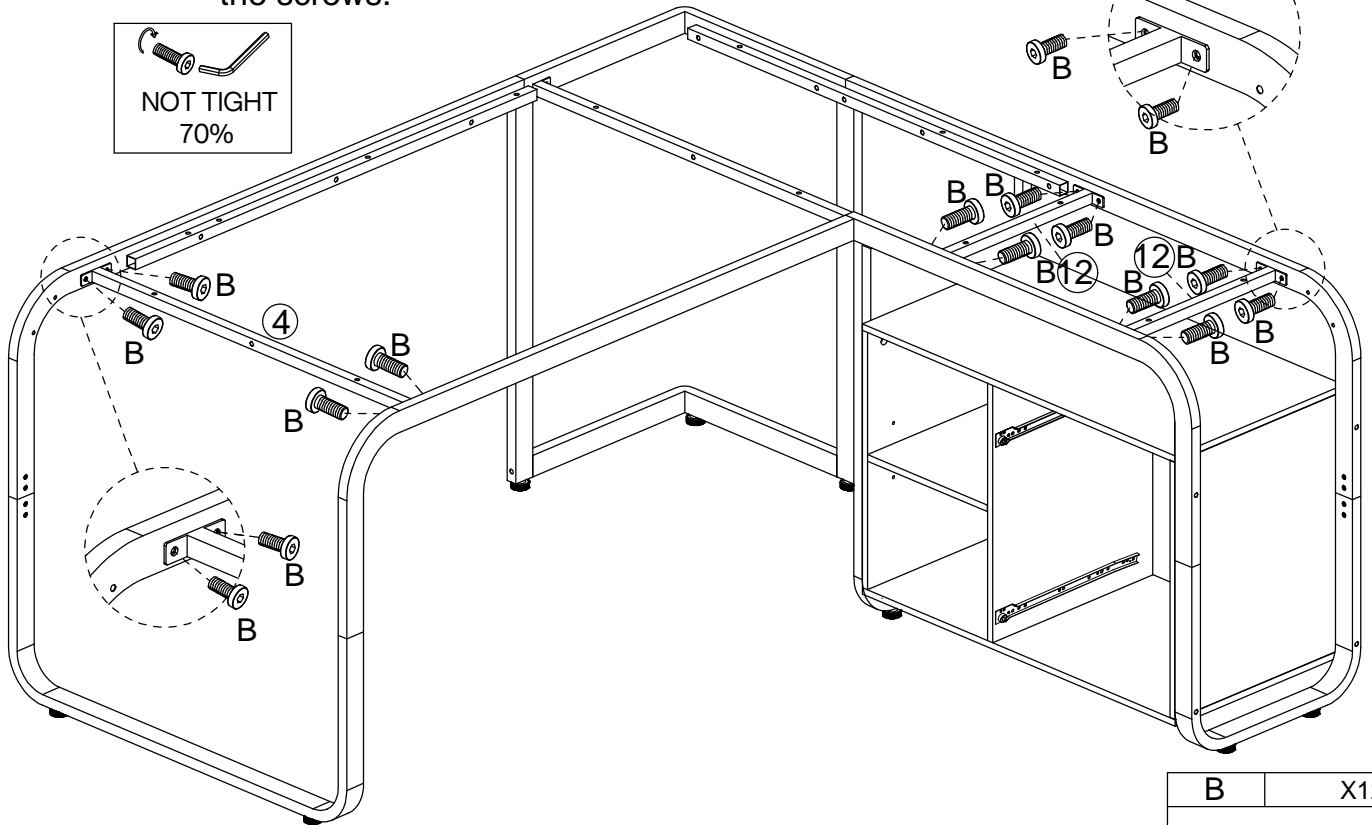
Step 26

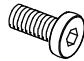



B	X1	F	X6
			
M6x10		M6x30	


Step 27  Be careful not to overtighten the screws.



NOT TIGHT
70%

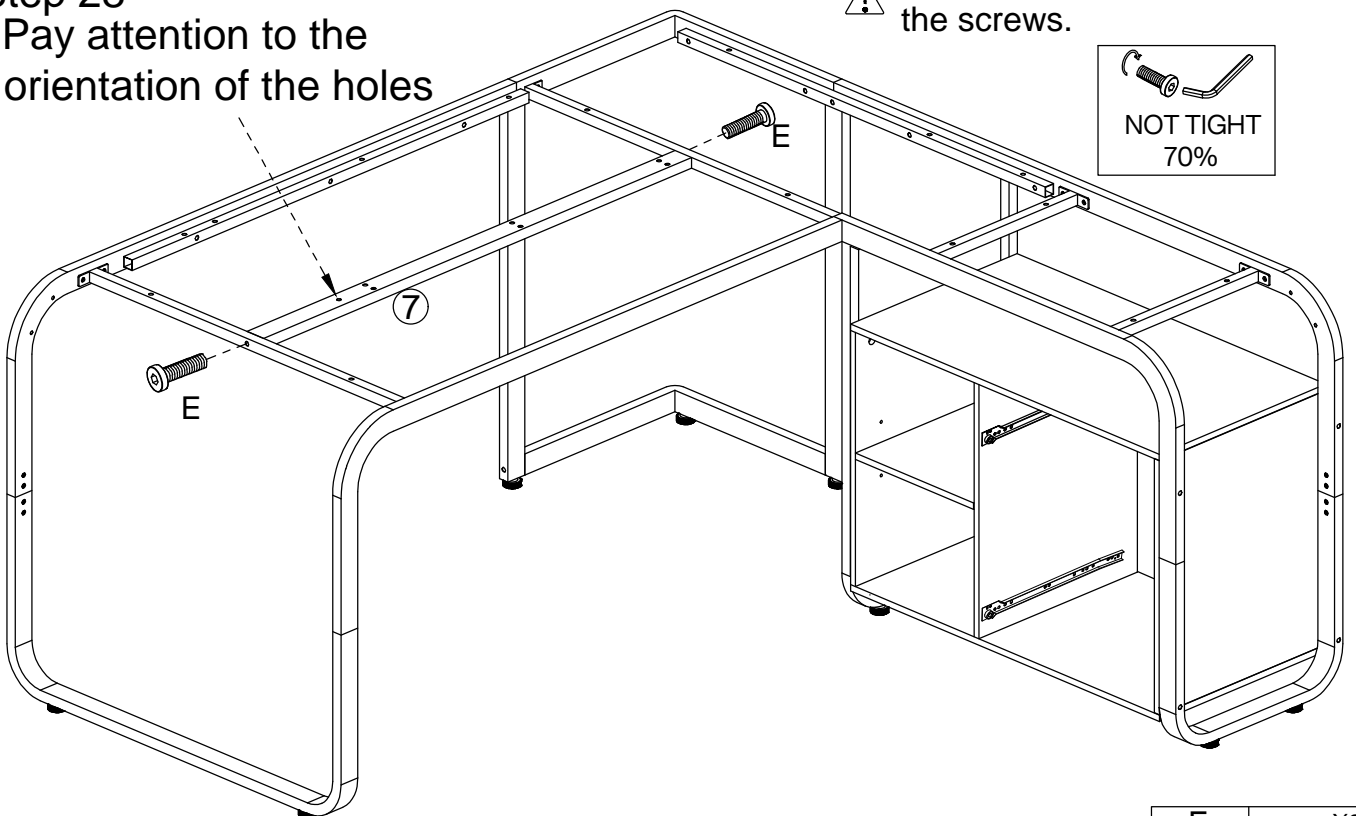


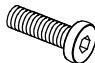
B	X12
	
M6x10	

Step 28  Pay attention to the orientation of the holes

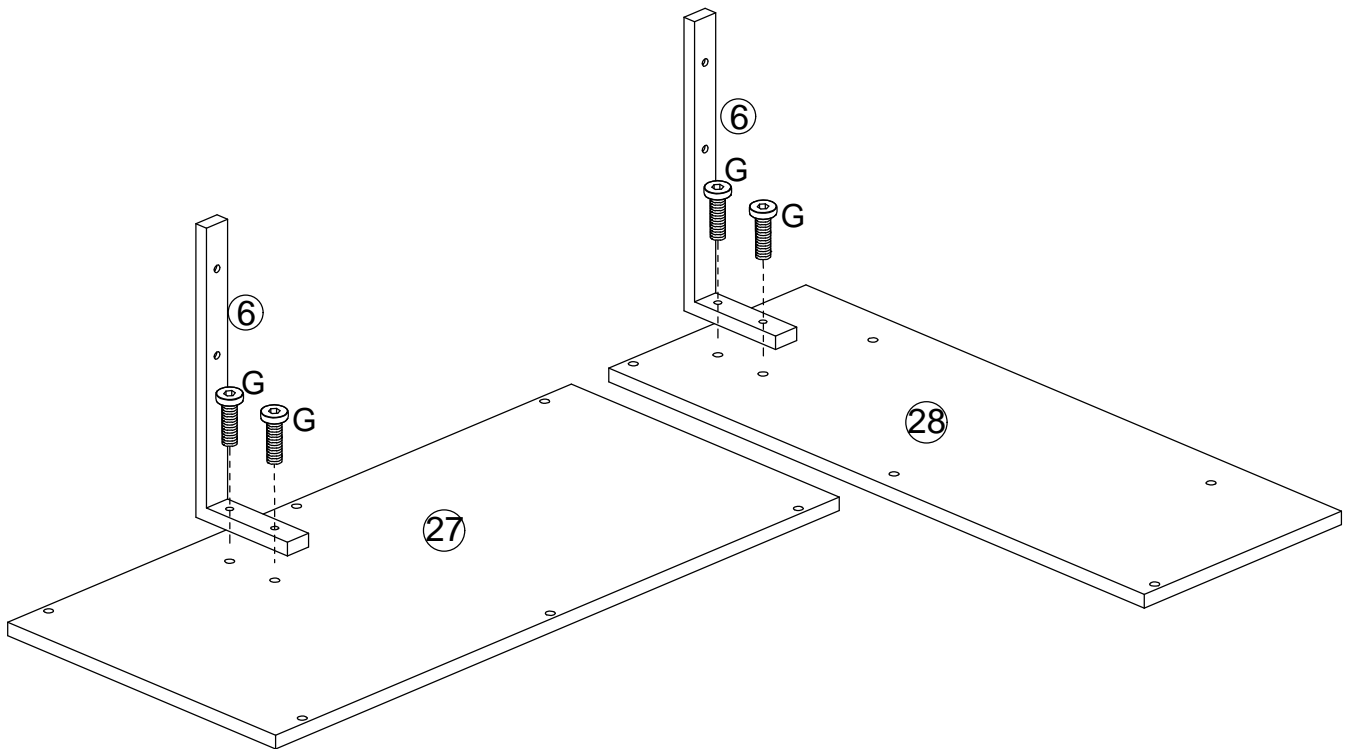
 Be careful not to overtighten the screws.

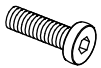

NOT TIGHT
70%



E	X2
	
M6x35	

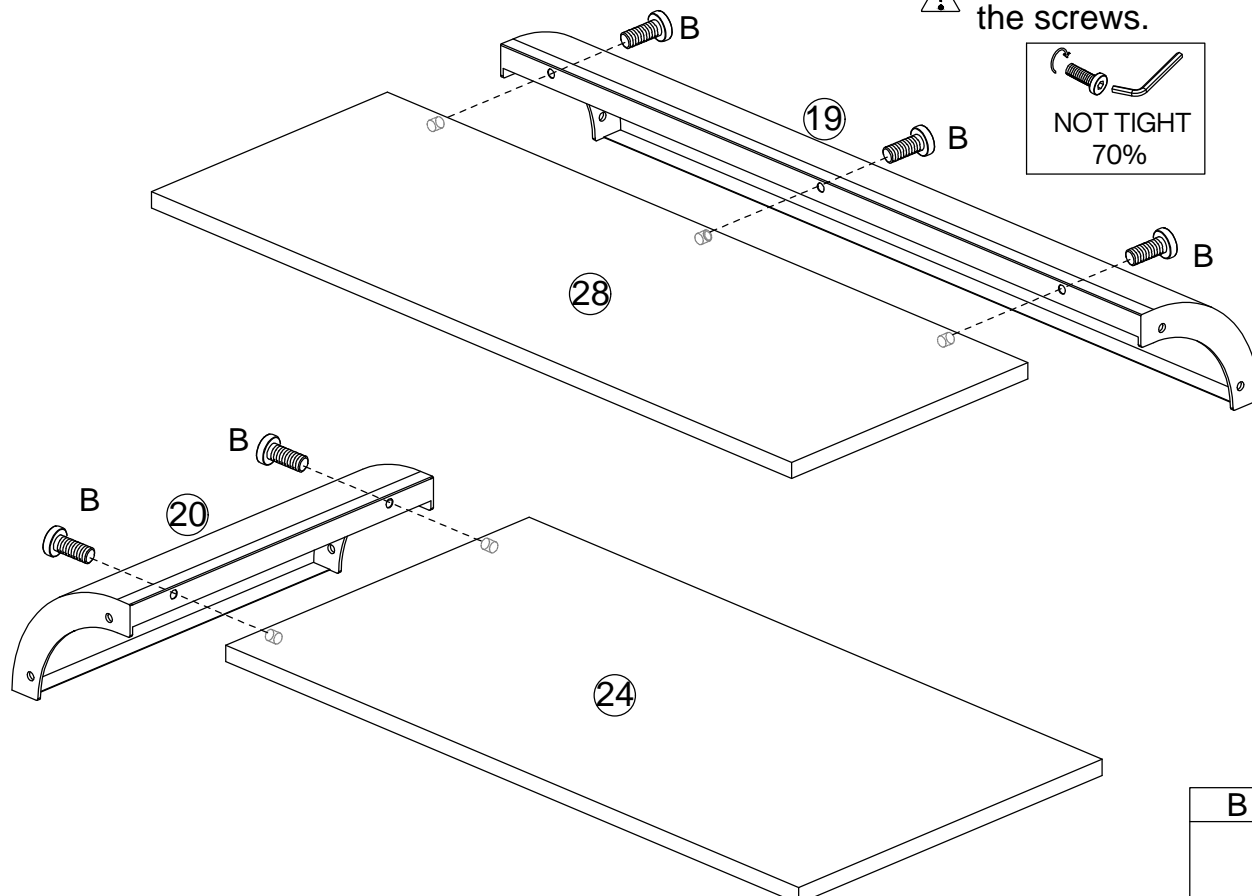
Step 29

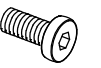


G	X4
	
M6x25	

Step 30

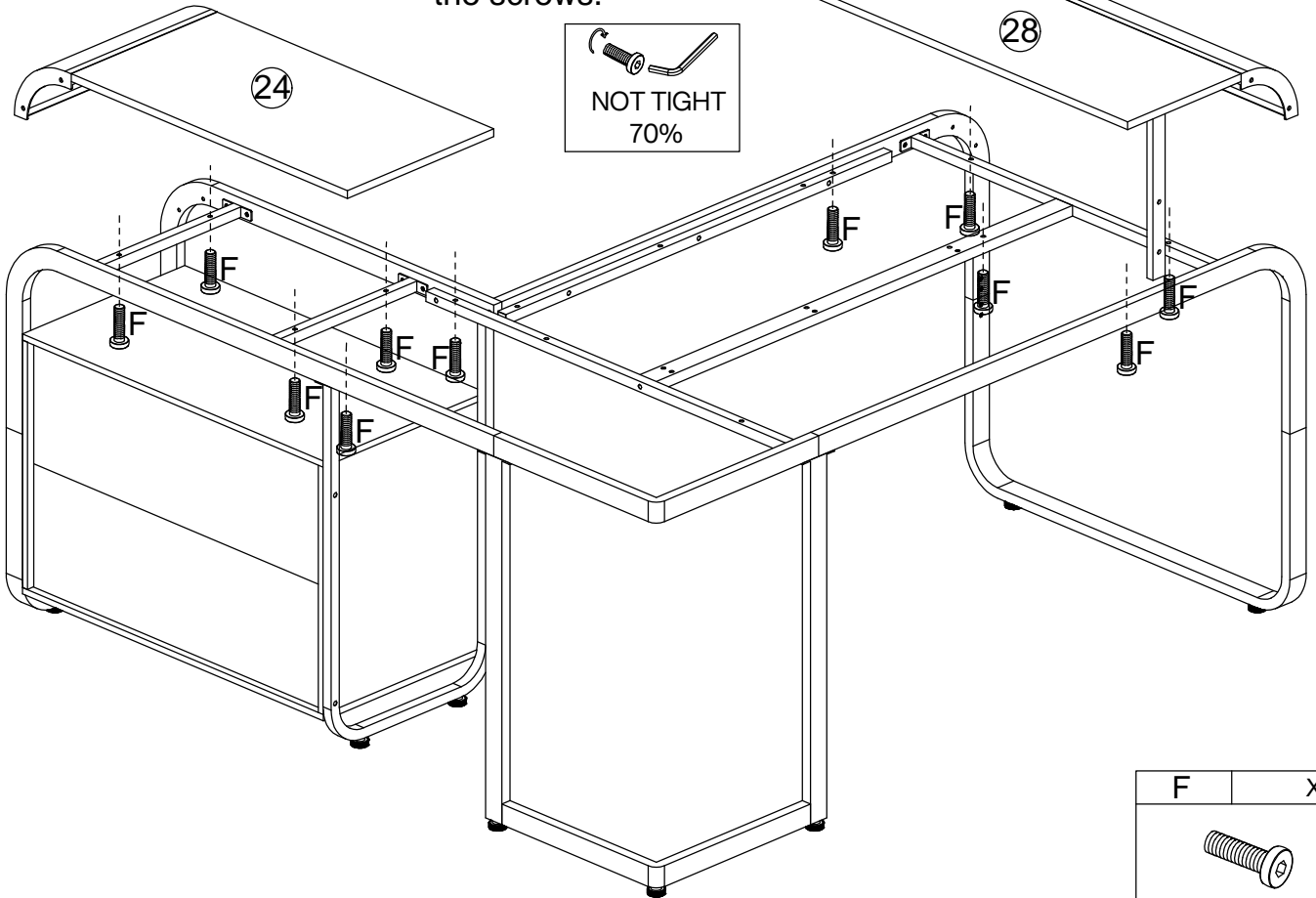
⚠ Be careful not to overtighten the screws.

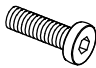


B	X5
	
M6x10	

Step 31

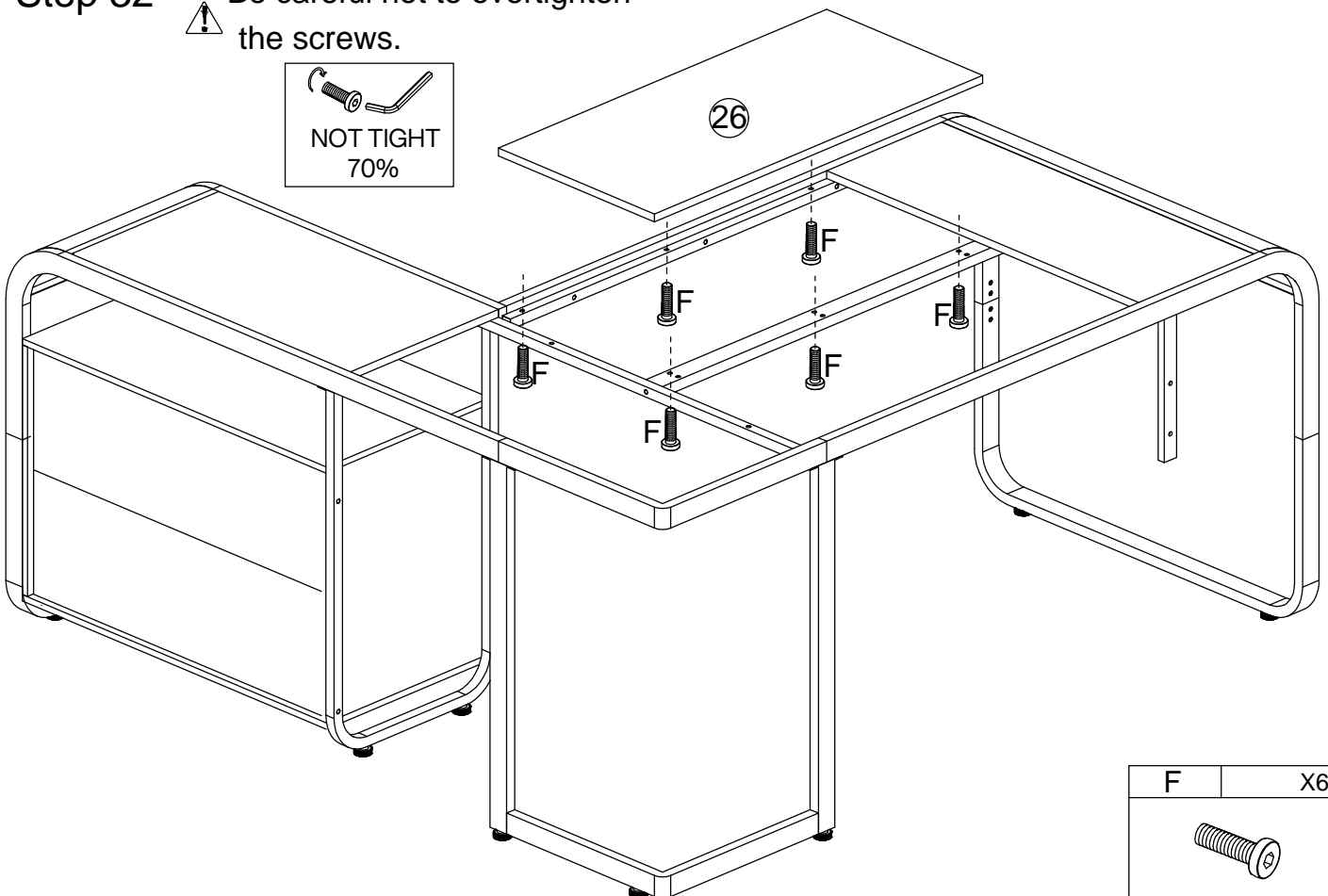
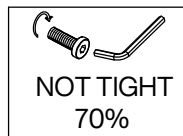
⚠ Be careful not to overtighten the screws.

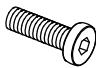


F	X11
	
M6x30	

Step 32

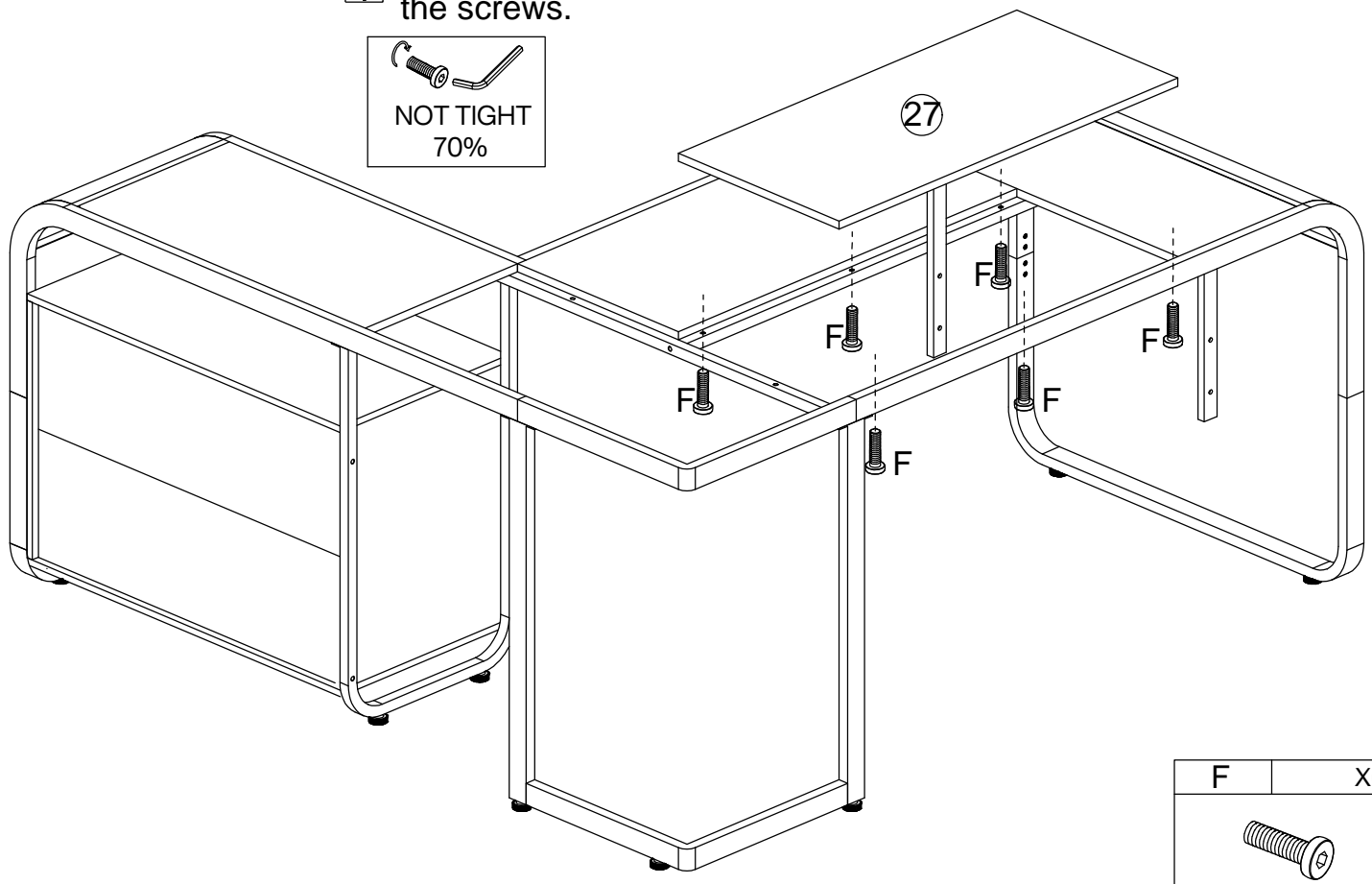
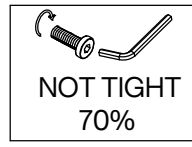
⚠ Be careful not to overtighten the screws.

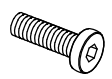


F	X6
	
M6x30	

Step 33

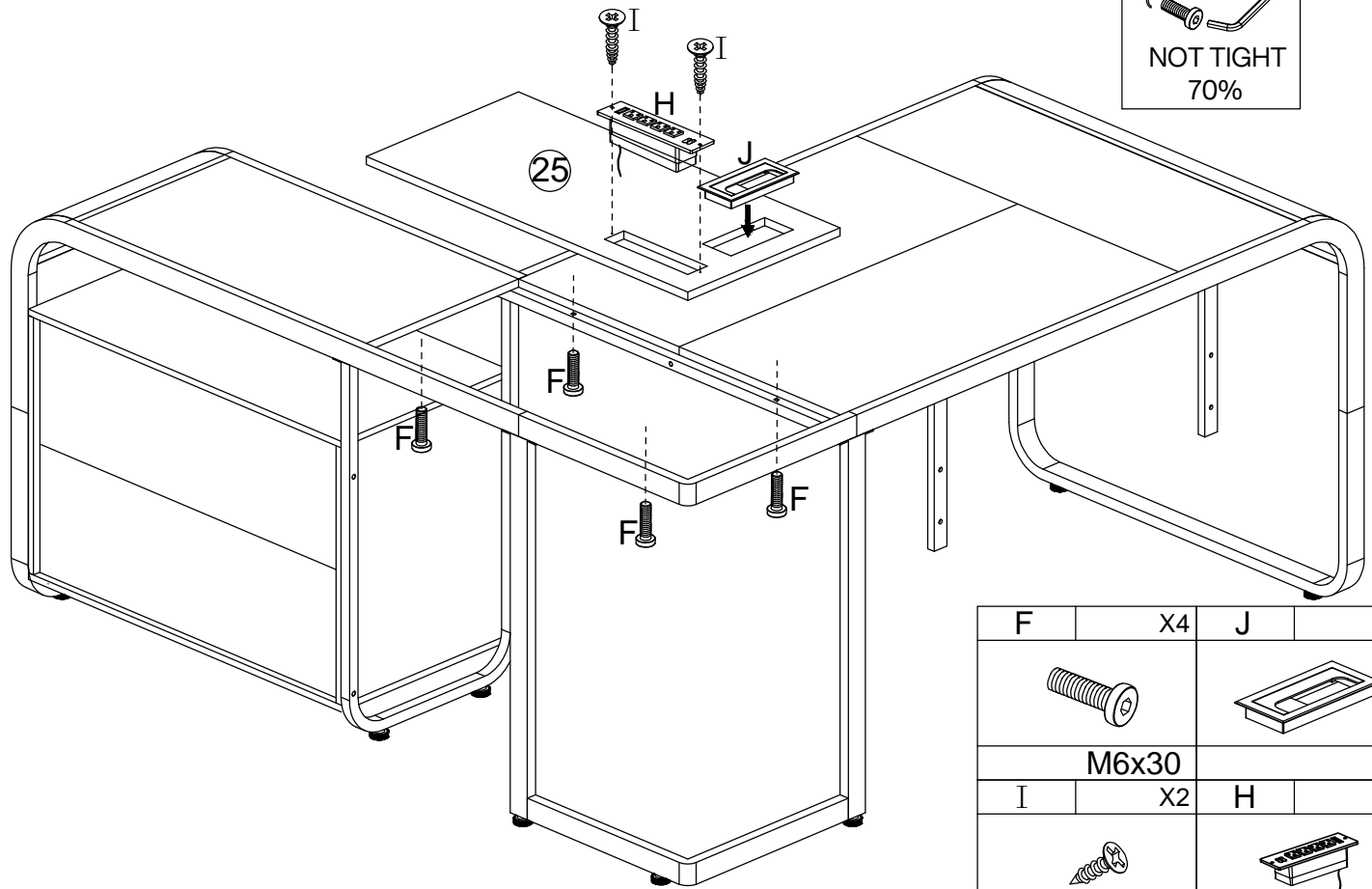
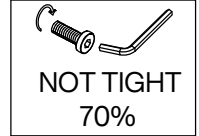
⚠ Be careful not to overtighten the screws.

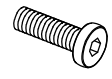
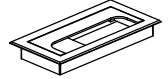




F	X6
	
M6x30	

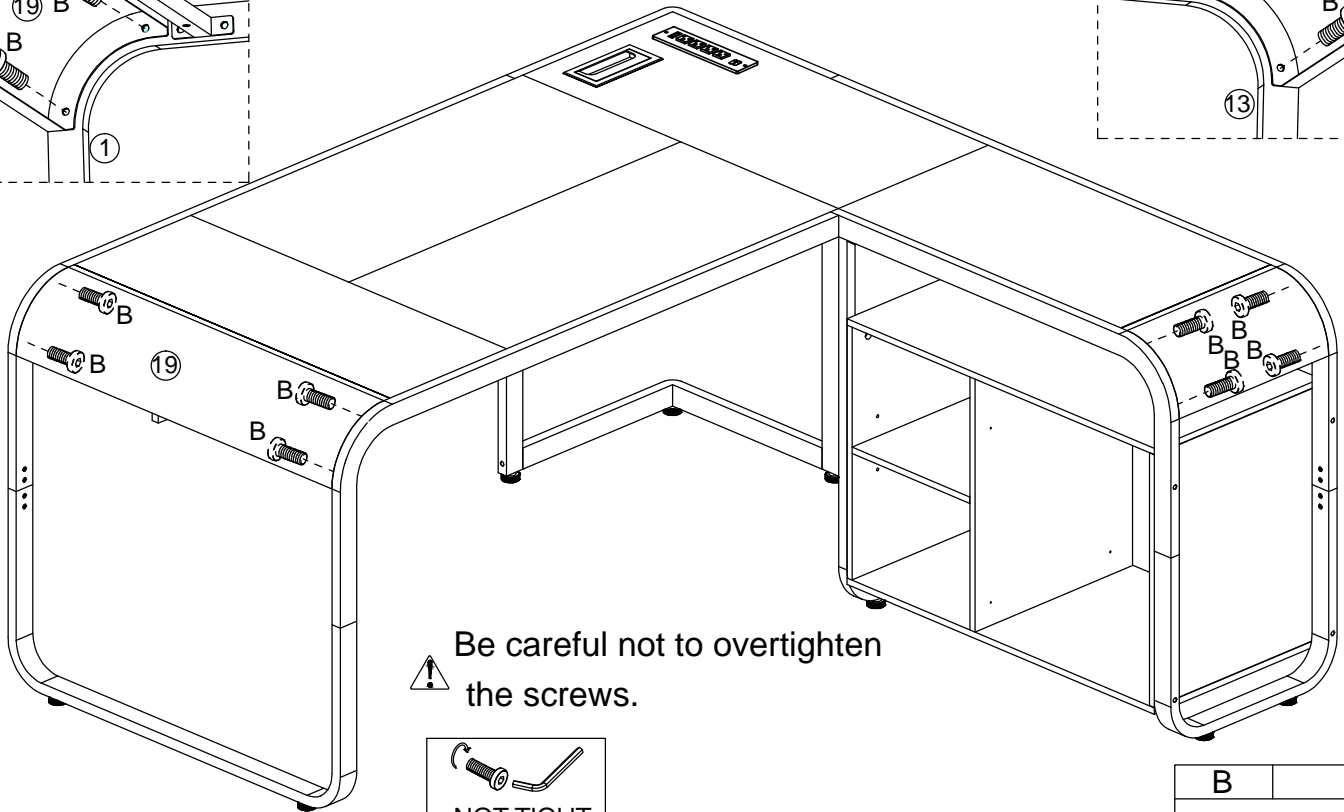
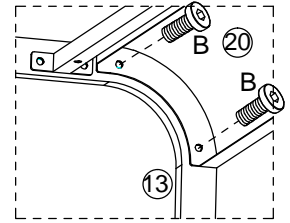
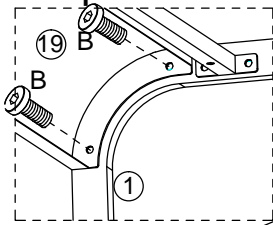
Step 34

⚠ Be careful not to overtighten the screws.

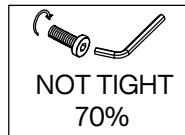


F	X4	J	X1
			
M6x30			
I	X2	H	X1
			
ST3.5X12			

Step 35



⚠ Be careful not to overtighten the screws.

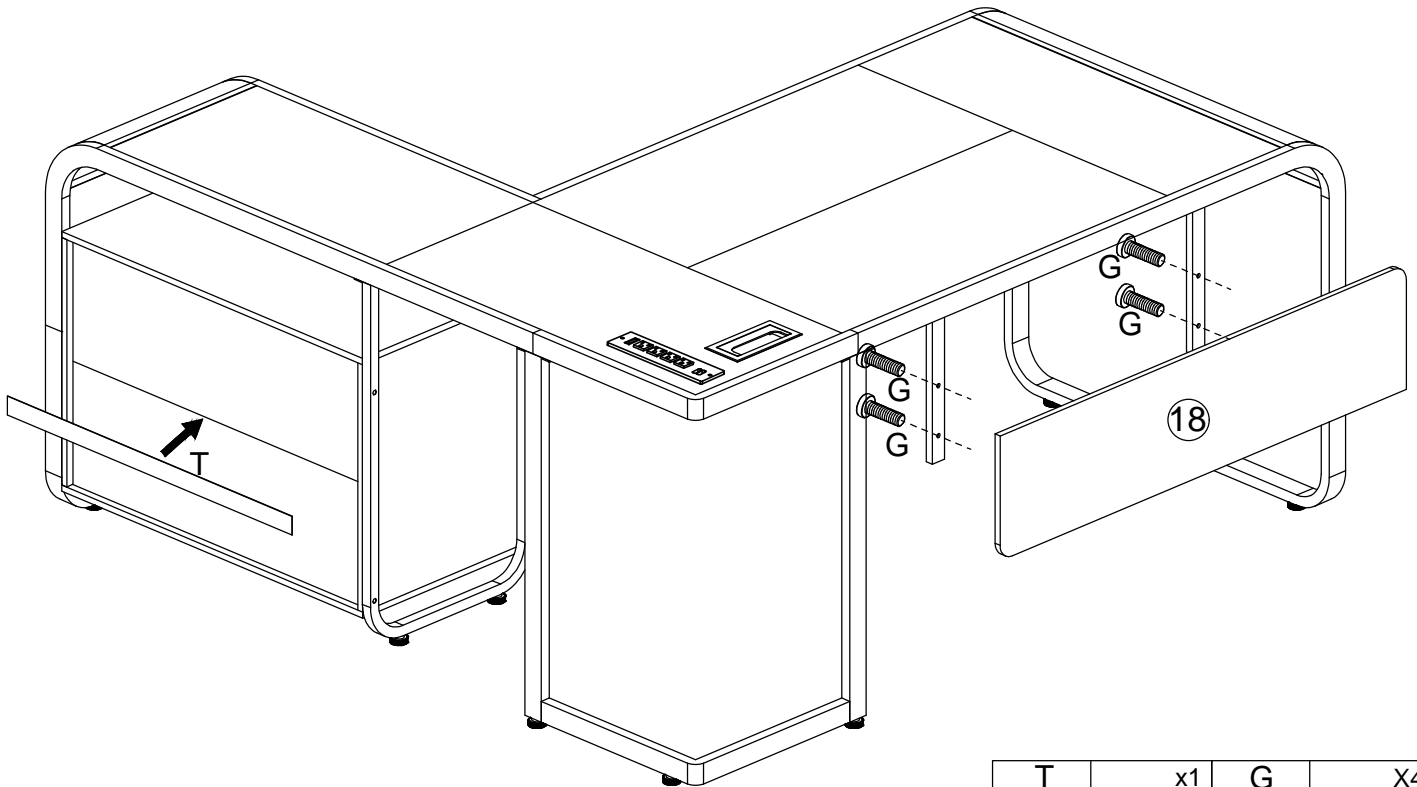


B	X8
M6x10	

Step 36

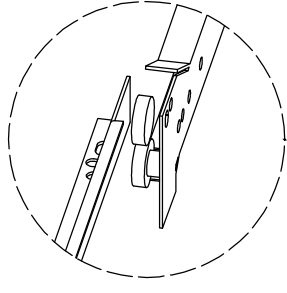
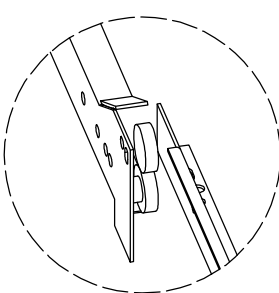
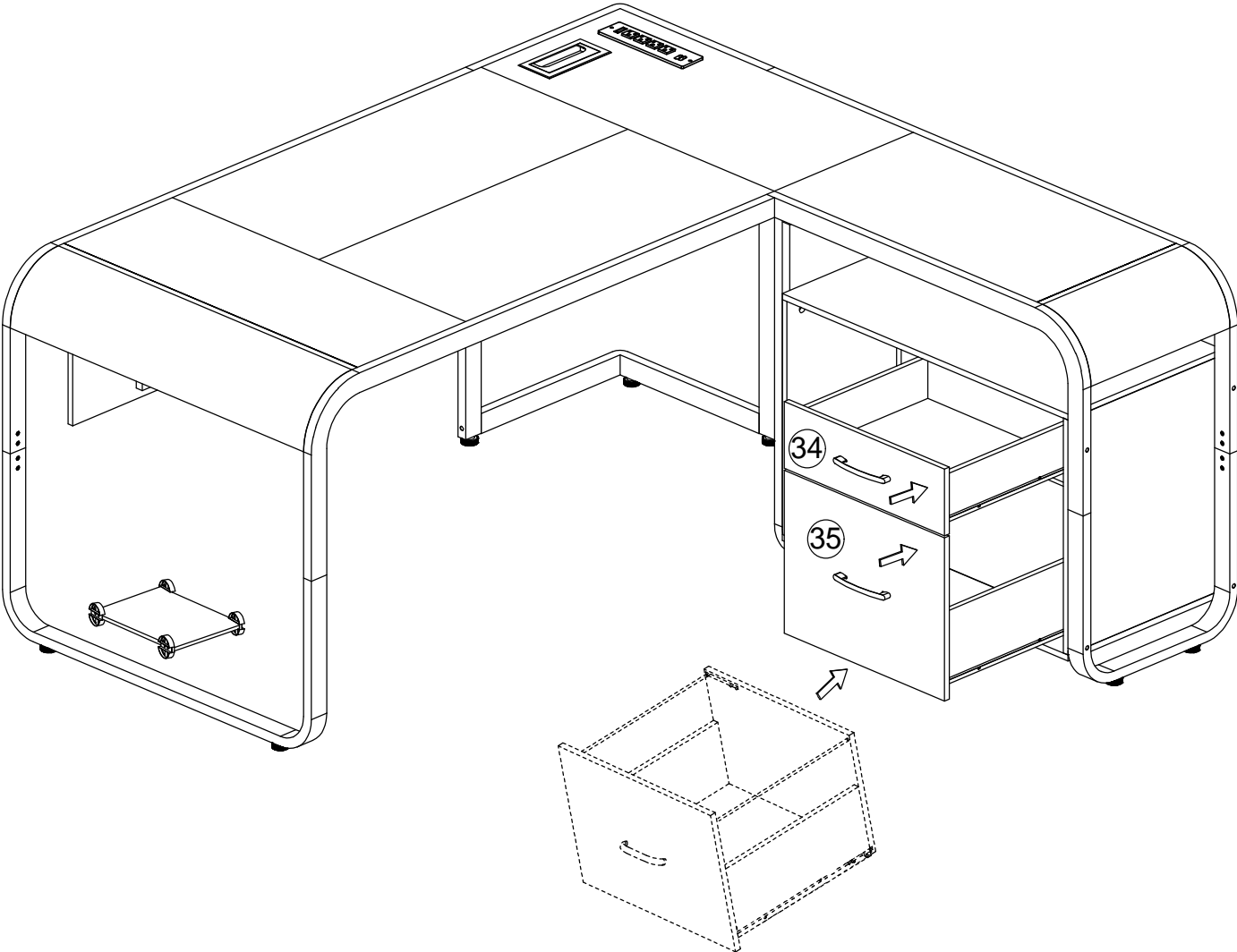
The tape length is tailored to your needs

TIGHT ALL SCREWS 100%



T	x1	G	X4
		M6x25	

Step 37



Customer Service

3-years Warranty



We guarantee your product is free from defects in product material and workmanship for three(3) years starting from the date of purchase during normal use of household conditions. If your appliance fails to operate properly within our warranty period, We will send the corresponding accessories, Replacement is free and all shipping costs are covered.

Quick Response within 24 Hours



If you are still unable to resolve the issue you are experiencing, please contact us immediately via our support email. It doesn't matter if the product has been installed or not, our customer support team will respond within 24 hours and assist you quickly and efficiently. The most efficient way to confirm your problem to us is to attach a video, which illustrates your product issues.

Problems You May Encounter

PART	PROBLEM	SOLUTION
whole Product	Parts are missing, defective or having wrong parts in package.	You can contact us and we will get back to you within 24 hours
	Having issue(s) while reading the instruction or completing the assembly.	Feel free to contact us and we will get back to you within 24 hours.
	Encountering non-human caused damage during usage.	If the product is damaged due to non-human causes, please keep the product and send us photos of it. We will ascertain the cause of the product damage within 48 hours and provide you with a satisfactory solution.
Table Surface	Board Surface is broken, scratched or lack of some screw holes.	Feel free to contact us and we will get back to you within 24 hours.
	The screw holes that on the board and the steel frame don't line up.	<ol style="list-style-type: none"> 1. Please tighten the screws on the board by 70, do not tighten completely. 2. Adjusting board and steel frame until the screw holes are lined up, then tighten all the screws.
	The desk board is uneven or not tight that has gaps after being assembled.	<ol style="list-style-type: none"> 1. Loosen the screws in the uneven or gap positions; adjust until the desktops are flat and tight, and then tighten the screws. 2. If your problem still can't be solved, please feel free to contact us.
Steel Frame	The steel frame is bent, broken, painted, rusted or damaged.	Feel free to contact us and we will get back to you within 24 hours.
	The table is unstable after being assembled.	<ol style="list-style-type: none"> 1. Check if the screws are tightened. 2. Read throughout the manual, check are there any parts installed incorrectly or missing assembled. 3. If your problem still can't be solved, please feel free to contact us.
	Encountering non-human caused damage during usage.	If the product is damaged due to non-human causes, please keep the product and send us photos of it. We will ascertain the cause of the product damage within 48 hours and provide you with a satisfactory solution.