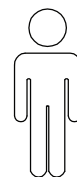
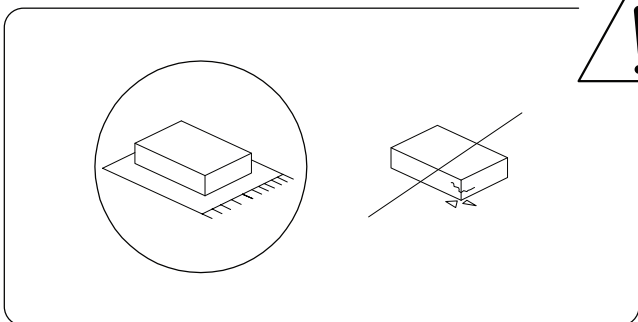
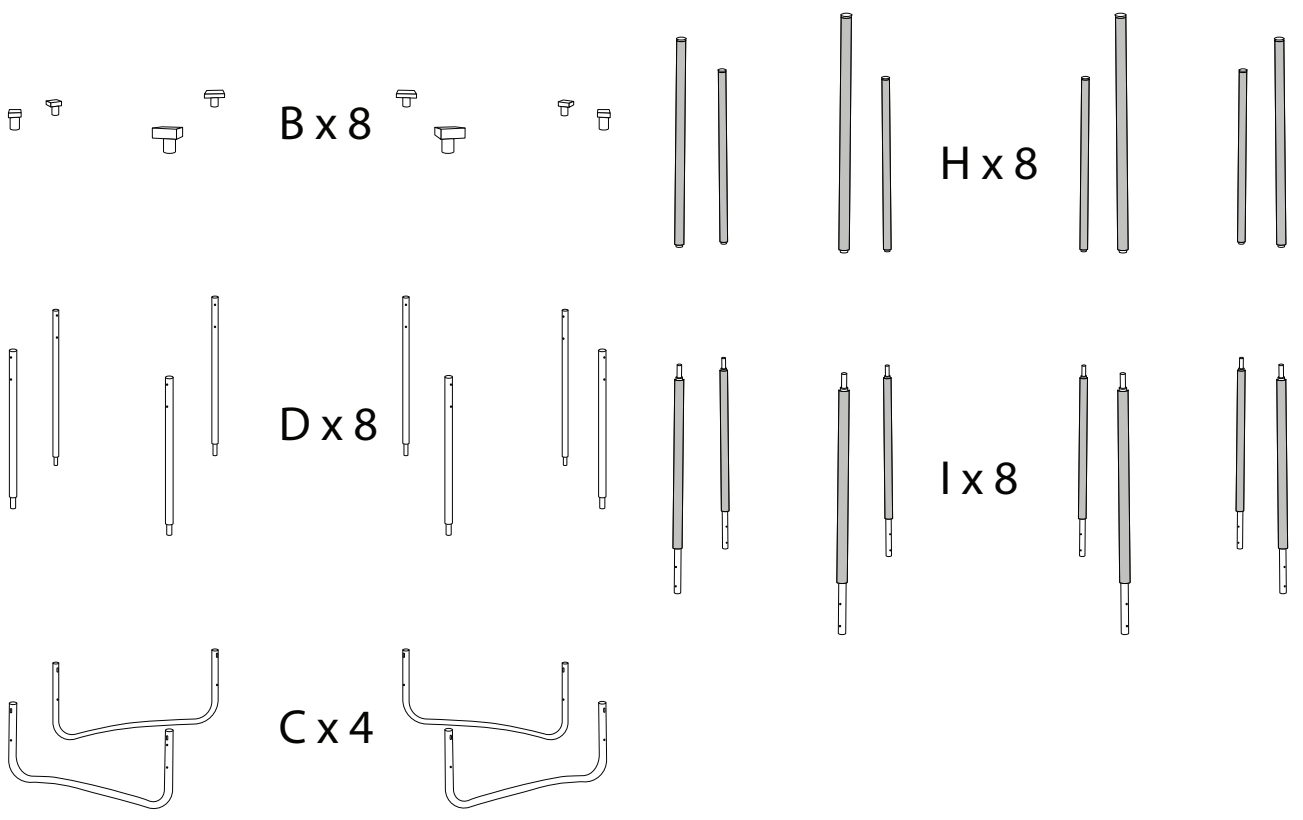
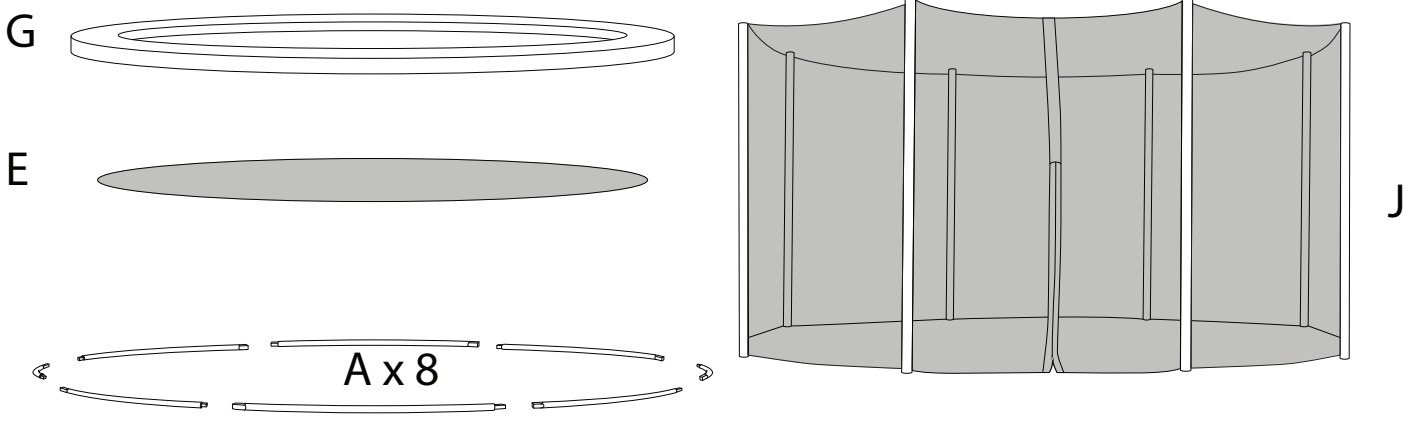



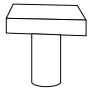



90'



2

A



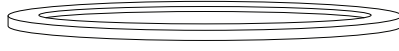
A	B	C	D	E
				
x 8	x 8	x 4	x 8	x 1

F



x 72

G



x 1

H



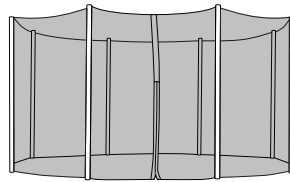
x 8

I



x 8

J



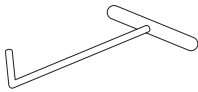
x 1

K



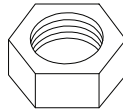
x 1

L



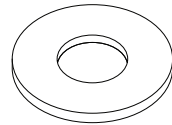
x 1

M



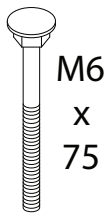
x 24

N



x 24

O



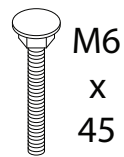
x 16

P



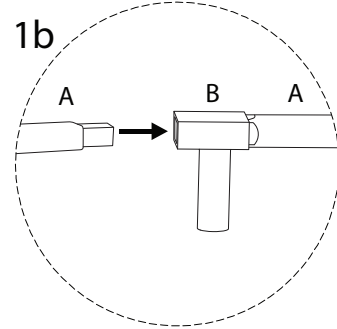
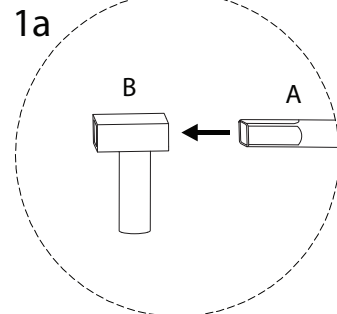
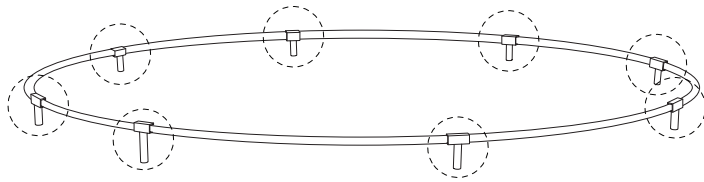
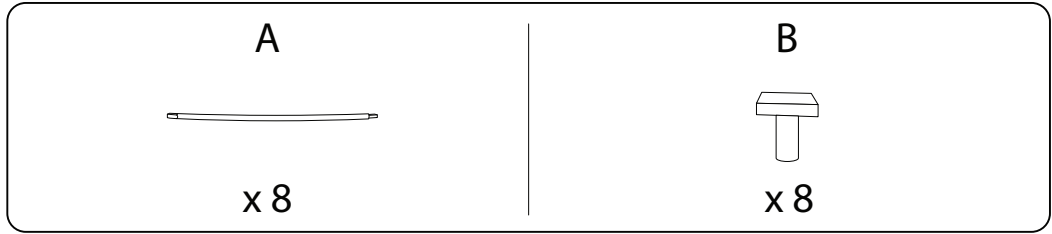
x 16

R

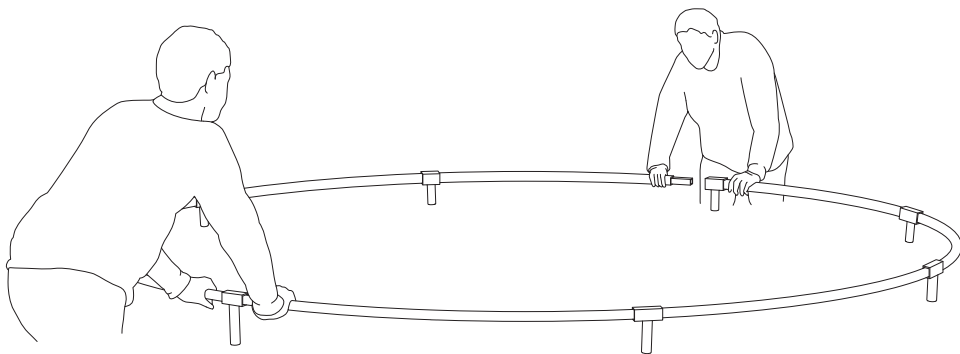


x 8




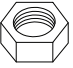
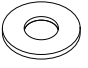
1

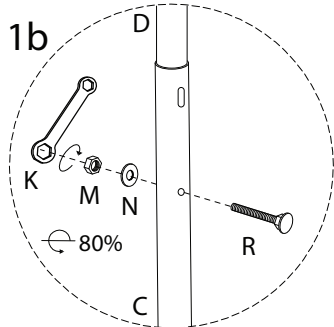
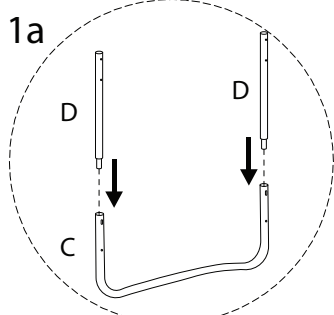
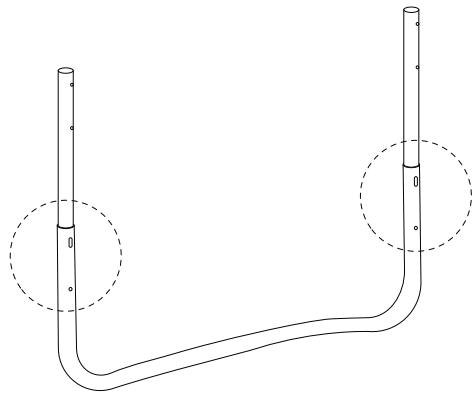


!

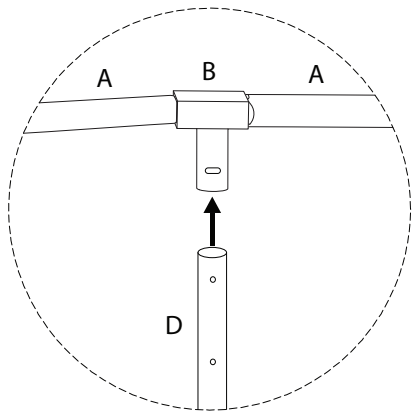
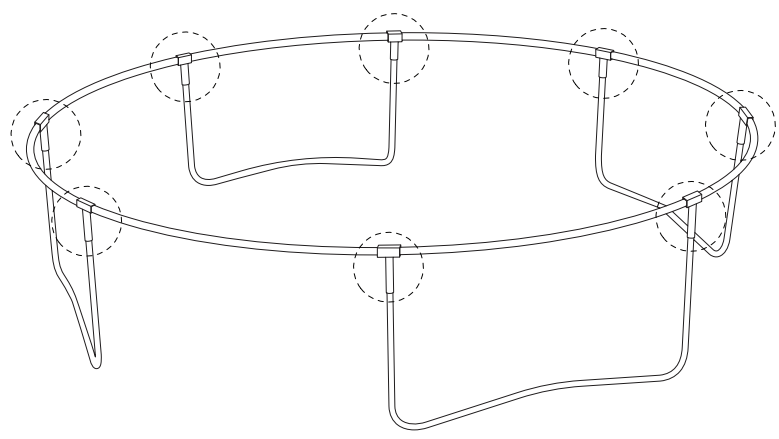


2 x 4

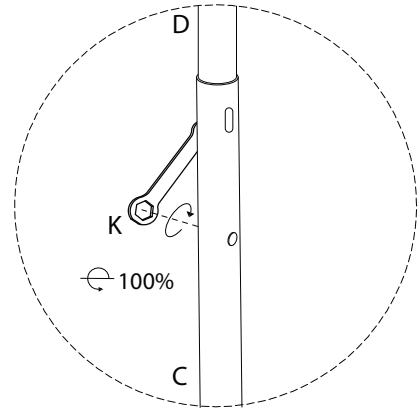
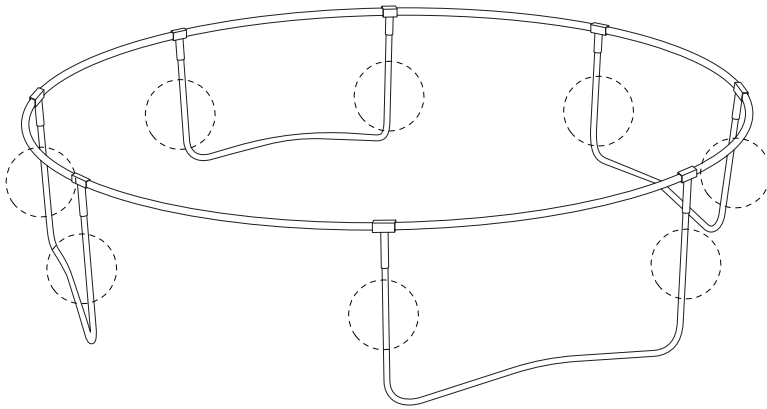
C  x 1	D  x 2	K  x 1	M  x 2	N  x 2	R M6 x 45 x 2
--	--	--	---	--	----------------------------------



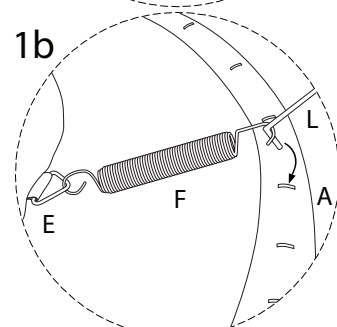
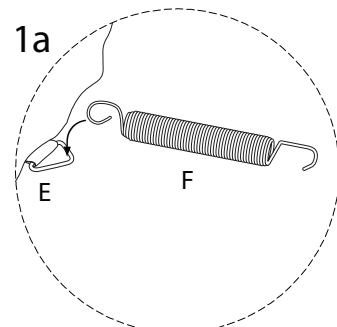
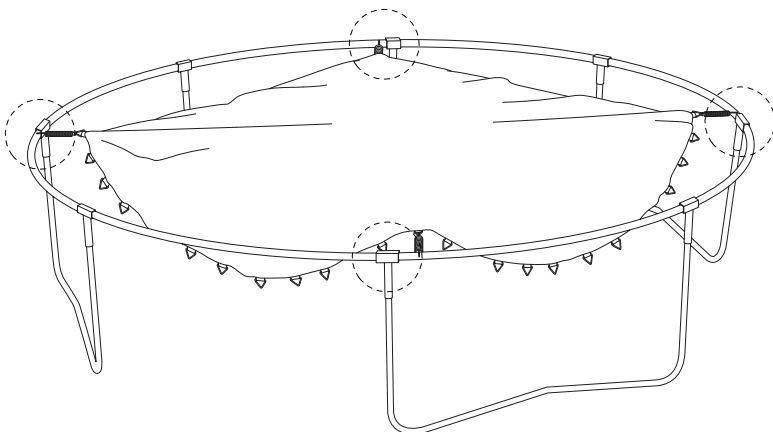
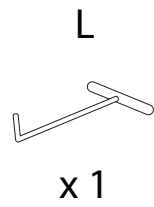
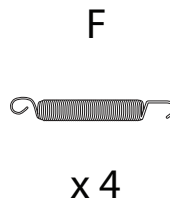
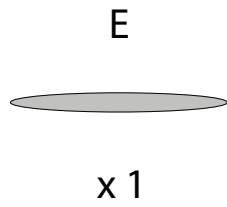
3



4



5



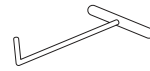
6

F

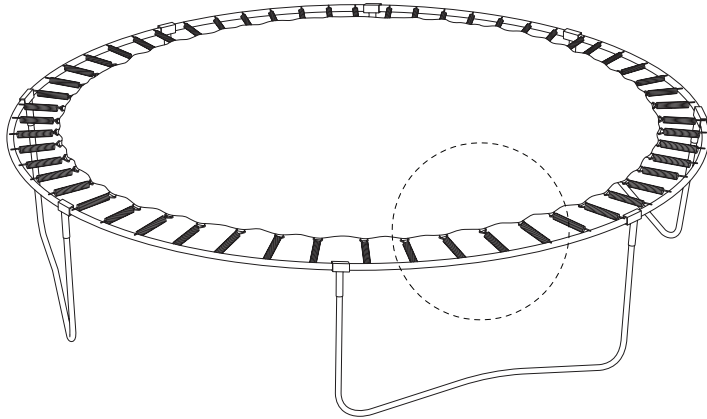


x 68

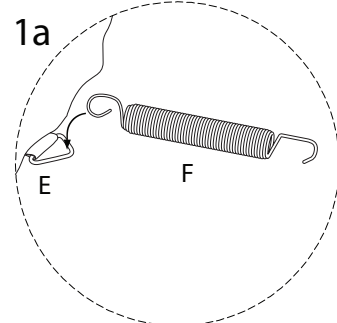
L



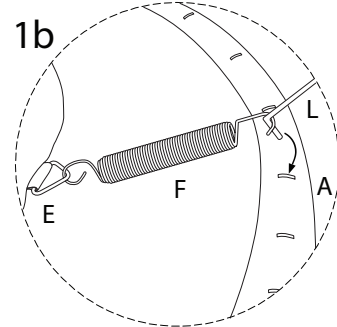
x 1



1a



1b

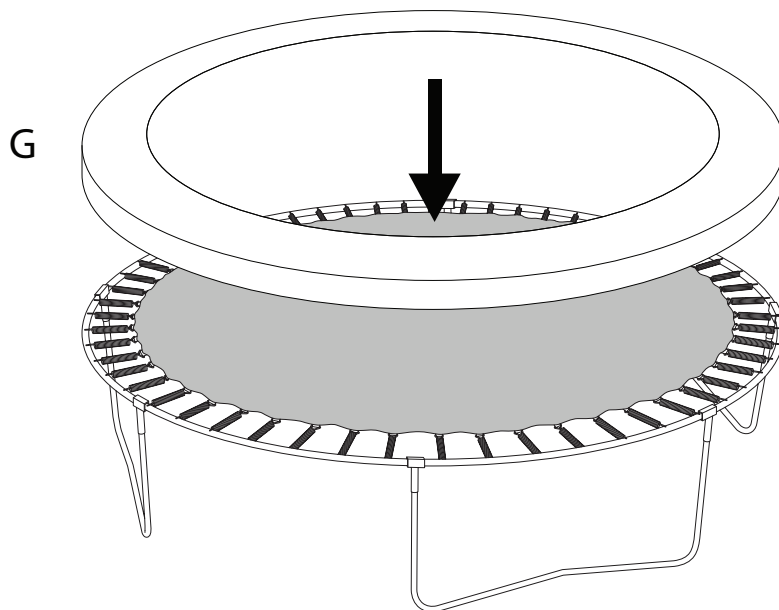


7

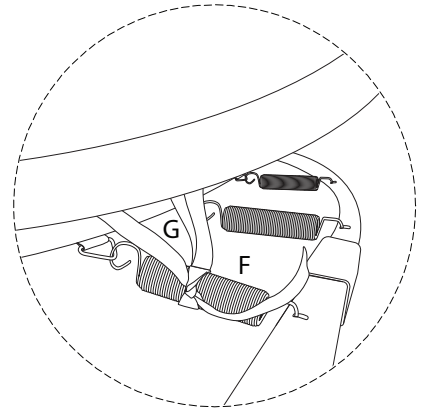
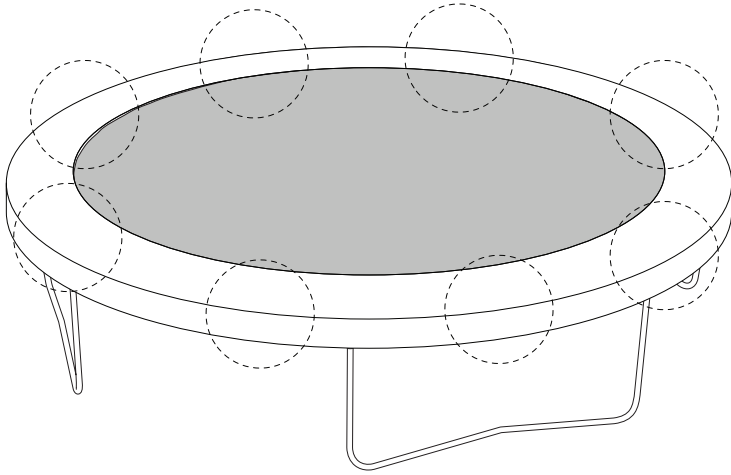
G



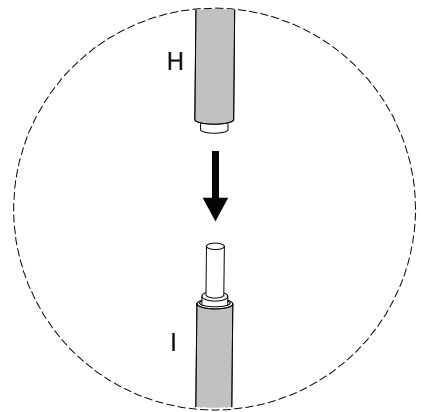
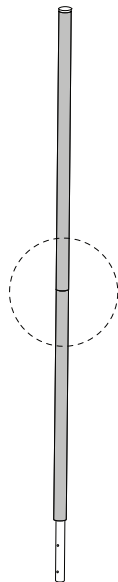
x 1



8

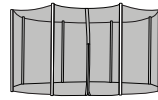


9 x 8

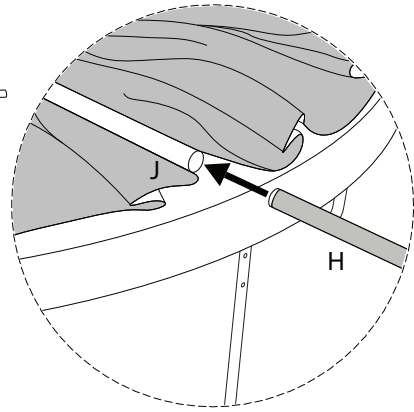
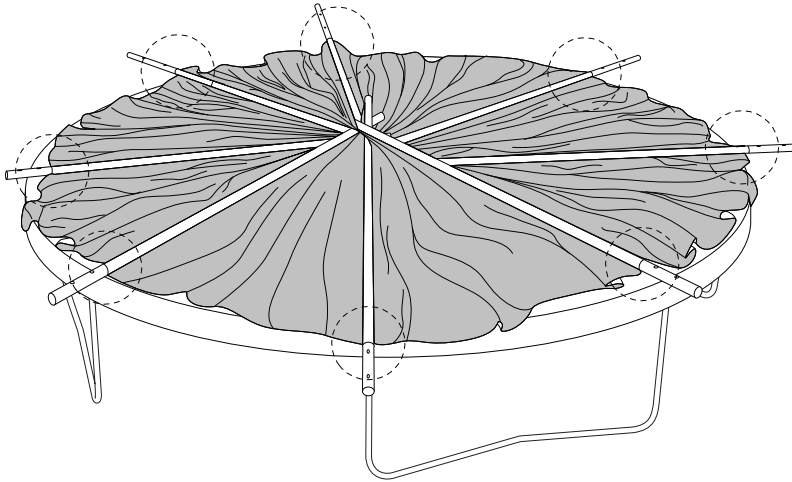


10

J



x 1



11

K



x 1

M



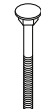
x 16

N



x 16

O



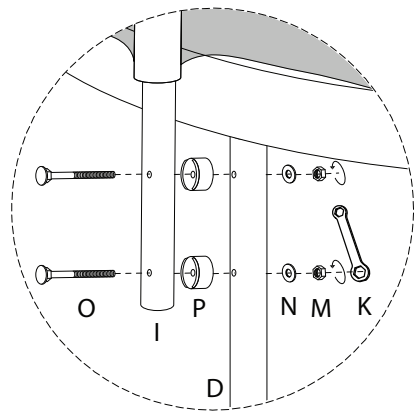
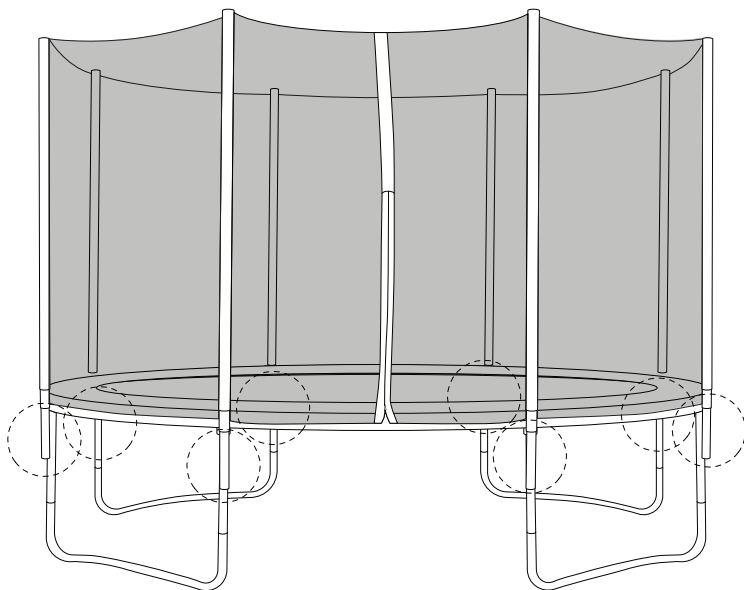
M6
x
75

x 16

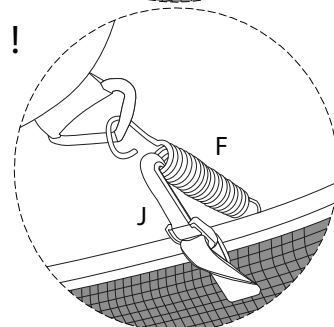
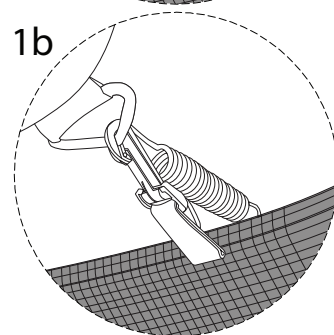
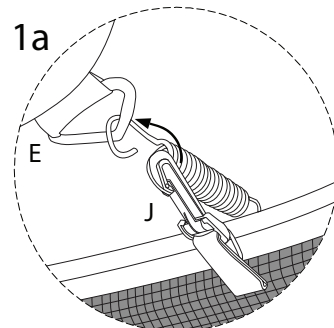
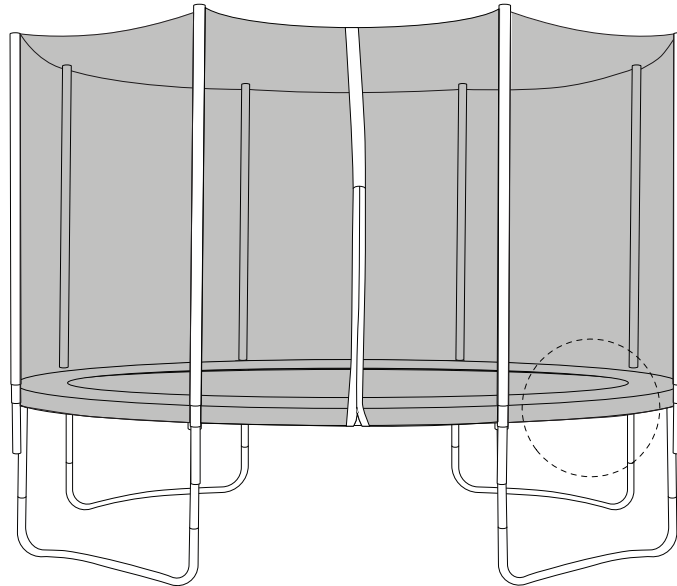
P



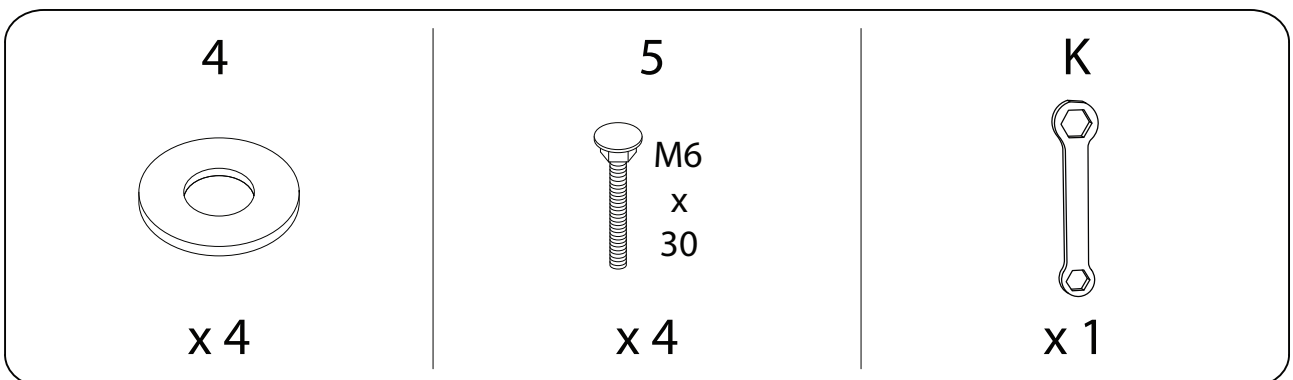
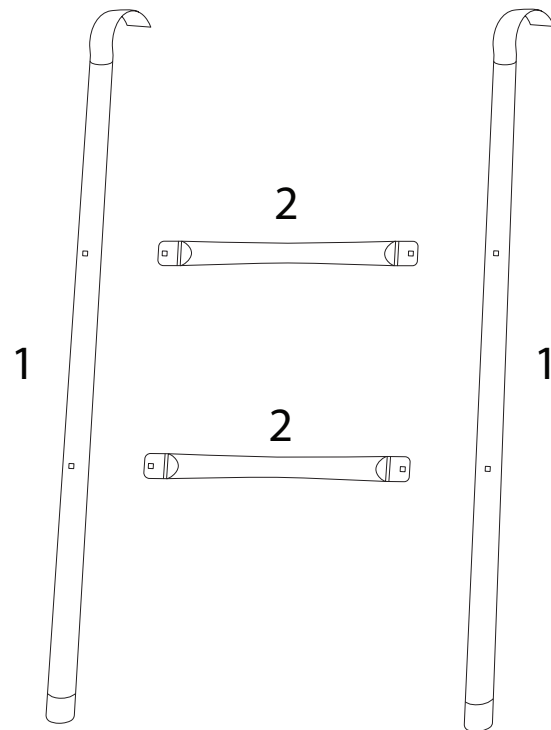
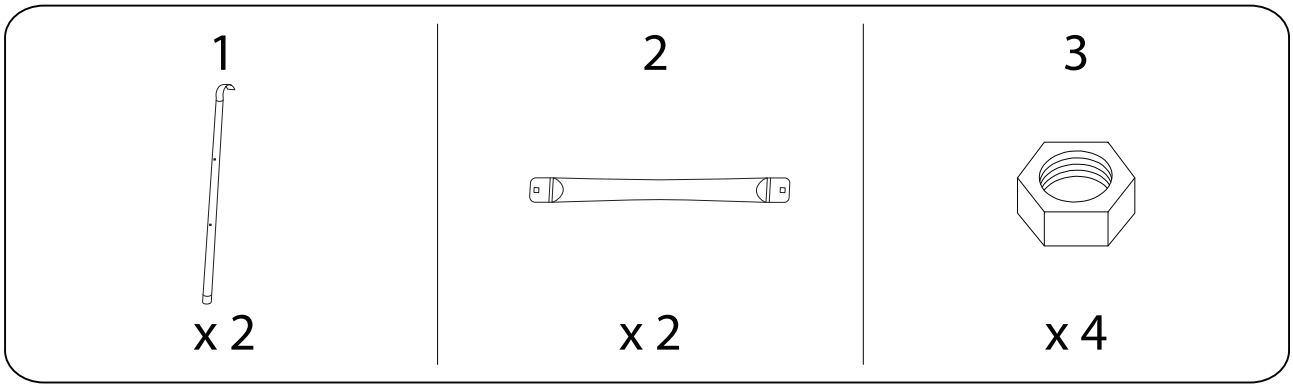
x 16






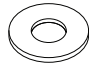
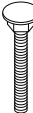

12

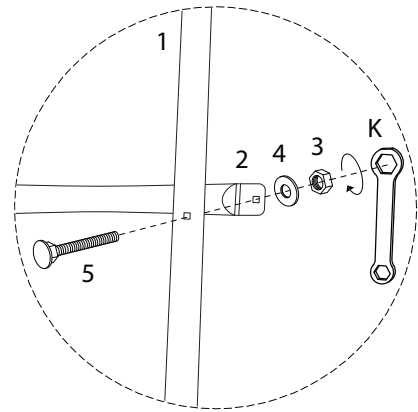
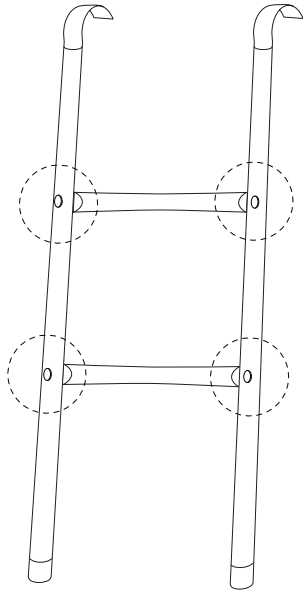


B



1

<p>1</p>  <p>x 2</p>	<p>2</p>  <p>x 2</p>	<p>3</p>  <p>x 4</p>	<p>4</p>  <p>x 4</p>	<p>5</p>  <p>M6 x 30 x 4</p>	<p>K</p>  <p>x 1</p>
---	---	---	--	---	---



!

