

# ASSEMBLY INSTRUCTIONS

## KRAGEN BUFFET

ASSEMBLY REQUIREMENTS	1.5 Hours Assembly Time (Approximate)	2 -Person Assembly 	Tools Required (Not Provided): Phillips Screwdriver  Flat Head Screwdriver 
-----------------------	---	---	---

### Thank you for purchasing our product!

Please refer and use this assembly instruction to assemble the product.  
Contact our customer service department in case there are any missing or damage parts or hardware.  
Replacement parts are normally shipped within 2 or 3 days.

**We appreciate your business!**

**PRODUCTS PURCHASED THROUGH OUR AUTHORIZED VENDORS ONLY ARE ELIGIBLE FOR REPLACEMENT PARTS.**

**THIS PRODUCT IS FOR INDOOR AND HOUSEHOLD USE ONLY - NOT FOR COMMERCIAL USE.**

### ASSEMBLY PREPARATION

1. Remove all packaging materials, staples and packing straps from the carton.
2. Refer to Parts List and Hardware List and ensure they are correct before assembly.  
Contact customer service for missing parts.
3. Place all wooden parts on a clean, flat and soft surface (e.g. carpet or rug) to prevent parts from getting scratched.

### SAFETY PRECAUTION

1. KEEP ALL HARDWARE PARTS OUT OF REACH OF CHILDREN.
2. DISPOSE PLASTIC PACKAGING MATERIAL IMMEDIATELY TO AVOID ANY RISK OF SUFFOCATION TO CHILDREN AND ANIMALS.

### TIPS FOR ASSEMBLY

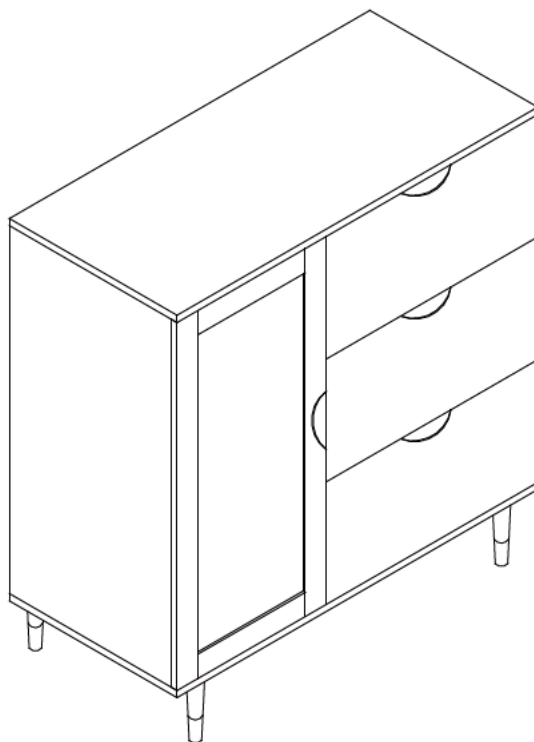
1. Allow ample room for assembly and in close proximity to where product will be placed.
2. Assemble the product on a surface that does not scratch or damage the exterior gloss and finish of the furniture.
3. Identify all of the parts, hardware and quantities required for each step.
4. During assembly, do not over-tighten any fittings as this may cause damage.
5. DO NOT USE POWER TOOLS TO ASSEMBLE THIS PRODUCT.
6. Always place the product on a flat, level surface.
7. Do not sit or stand on the partially assembled product; only use the product for which it is intended.

### CARE AND MAINTENANCE















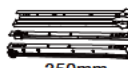




1. Wipe clean with a soft, dry cloth; avoid the use of harsh chemicals or household cleaners as they may damage the exterior finish of the furniture.
2. Hardware may loosen over time. Periodically, check that all connections are tight; re-tighten as necessary.
3. Solid wood is impacted by heat and humidity fluctuations which may cause small joint separations or hairline cracks; place the furniture away from direct sunlight and air conditioning vents, heating vents or units to protect the furniture.

# ASSEMBLY INSTRUCTIONS

## KRAGEN BUFFET



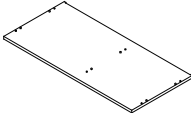
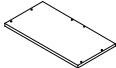
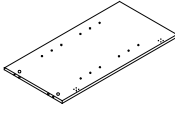
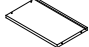
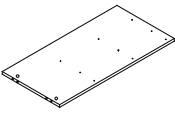
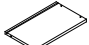
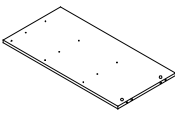
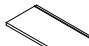
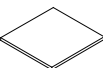
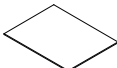
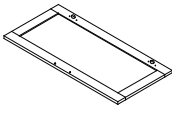
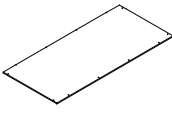
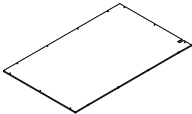

### Hardware List

ITEM	DESCRIPTION	PART	QTY	ITEM	DESCRIPTION	PART	QTY
A	Cam-bolt	 6*35mm	18 pcs	K	Screw	 7*40mm	6 pcs
B	Cam-lock	 15*10mm	18 pcs	L	Allen key		1 pcs
C	Wood Dowel	 8*30mm	12 pcs	M	Shelf Pin		8 pcs
D	Handle Bolt	 4*18mm	8 pcs	N	Screw	 3.5*14mm	12 pcs
E	Handle		4 pcs	O	Hinge		2 pcs
F	Screw	 4*30mm	12 pcs	P	Plastic Anchor		1 pc
G	Screw	 2.5*12mm	22 pcs	Q	Screw	 3.5*40mm	1 pc
H	Drawer Glide	 350mm	3 sets	R	Bracket		1 pc
I	Bolt	 6*30mm	4 pcs	S	Screw	 3.5*12mm	1 pc
J	Screw	 3*12mm	36 pcs				

# ASSEMBLY INSTRUCTIONS

## KRAGEN BUFFET

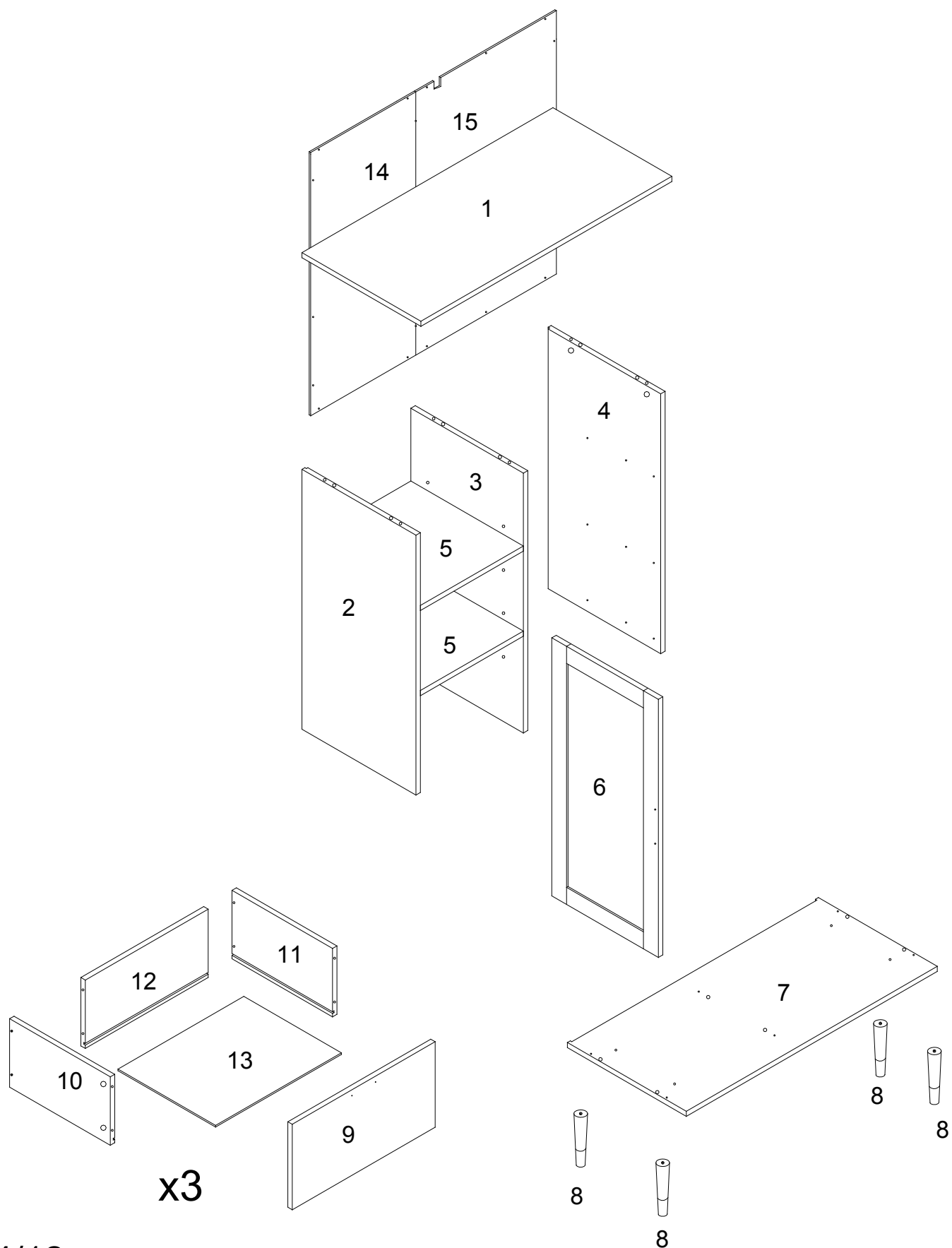
### Parts List

ITEM	DESCRIPTION	PART	QTY	ITEM	DESCRIPTION	PART	QTY
1	Top Panel		1 pc	9	Drawer Front Panel		3 pcs
2	Left Panel		1 pc	10	Drawer Left Panel		3 pcs
3	Divide Panel		1 pc	11	Drawer Right Panel		3 pcs
4	Right Panel		1 pc	12	Drawer Back Panel		3 pcs
5	Adjustable Shelf		2 pcs	13	Drawer Bottom Panel		3 pcs
6	Door		1 pc	14	Left Back Panel		1 pc
7	Bottom Panel		1 pc	15	Right Back Panel		1 pc
8	Leg		4 pcs				

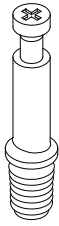
# ASSEMBLY INSTRUCTIONS

## KRAGEN BUFFET

### ASSEMBLY OVERVIEW



# INSTRUCTIONS FOR CAM-BOLT AND CAM-LOCK

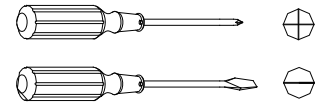


CAM-BOLT

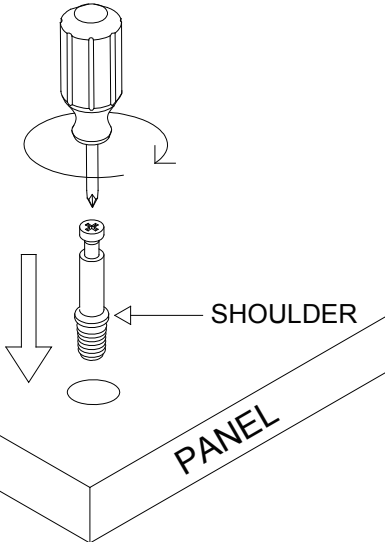


CAM-LOCK

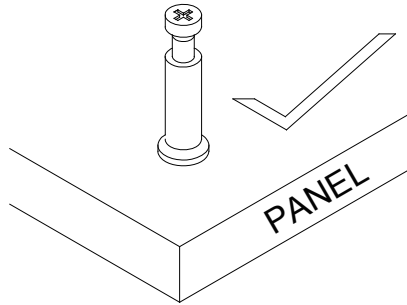
## Tools Required



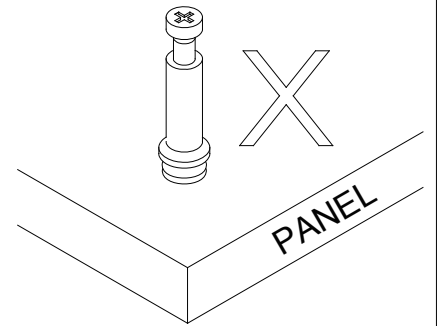
### INSERTING AND TIGHTENING CAM-BOLT



Place Cam-bolt on pre-drilled hole and screw in vertically.



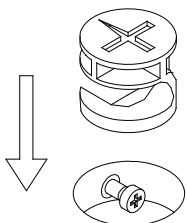
Shoulder is flushed (on the same level) with the panel.



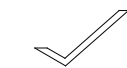
Shoulder is above the panel.

Place Cam-bolt to the designated pre-drilled holes on the panel. Use a Phillips Screwdriver to tighten Cam-bolt vertically until shoulder is flushed (on the same level) with panel. Do not over-tighten or under-tighten.

### INSERTING CAM-LOCK



Insert Cam-lock with arrow align to Cam-bolt head.



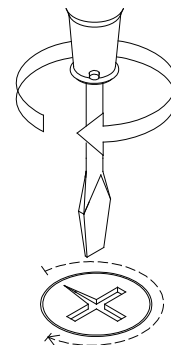
CORRECT



WRONG

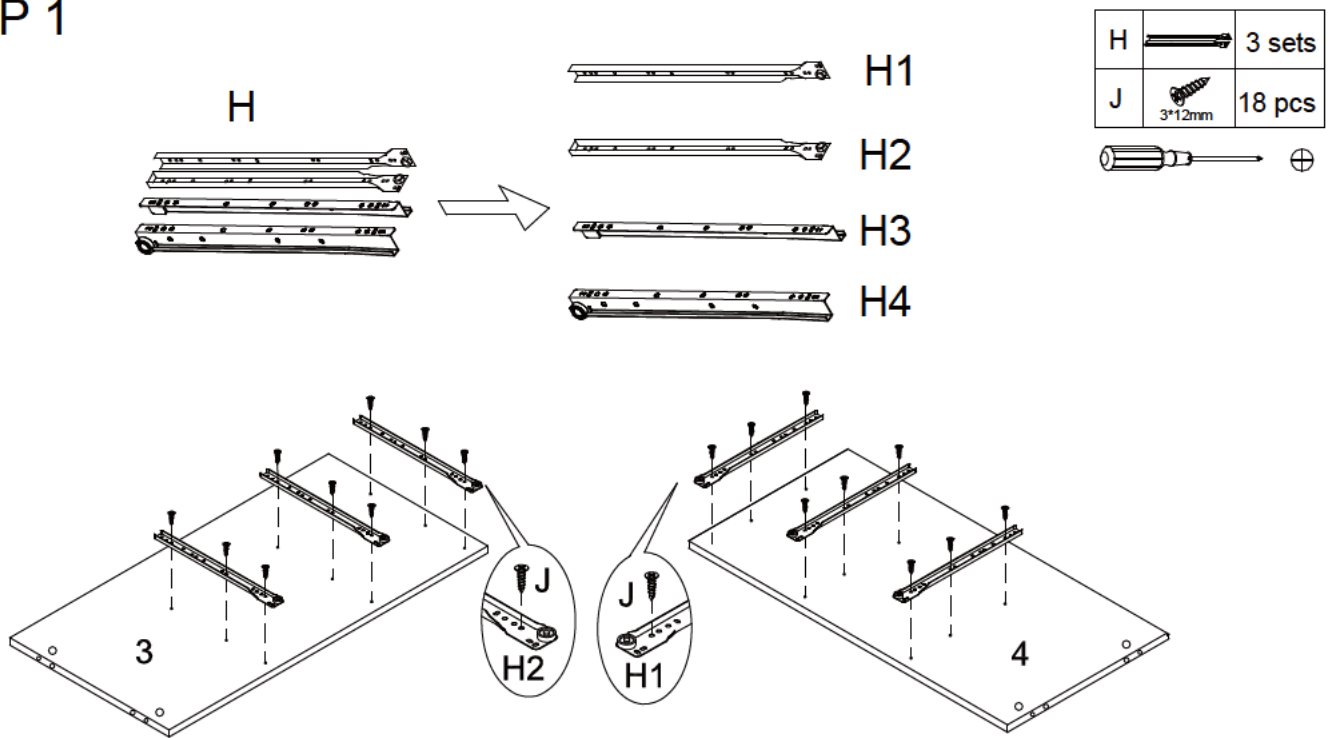
Align the arrow on the Cam-lock to the Cam-bolt head and insert the Cam-lock. Ensure Cam-lock is fully inserted.

### TIGHTENING CAM-LOCK



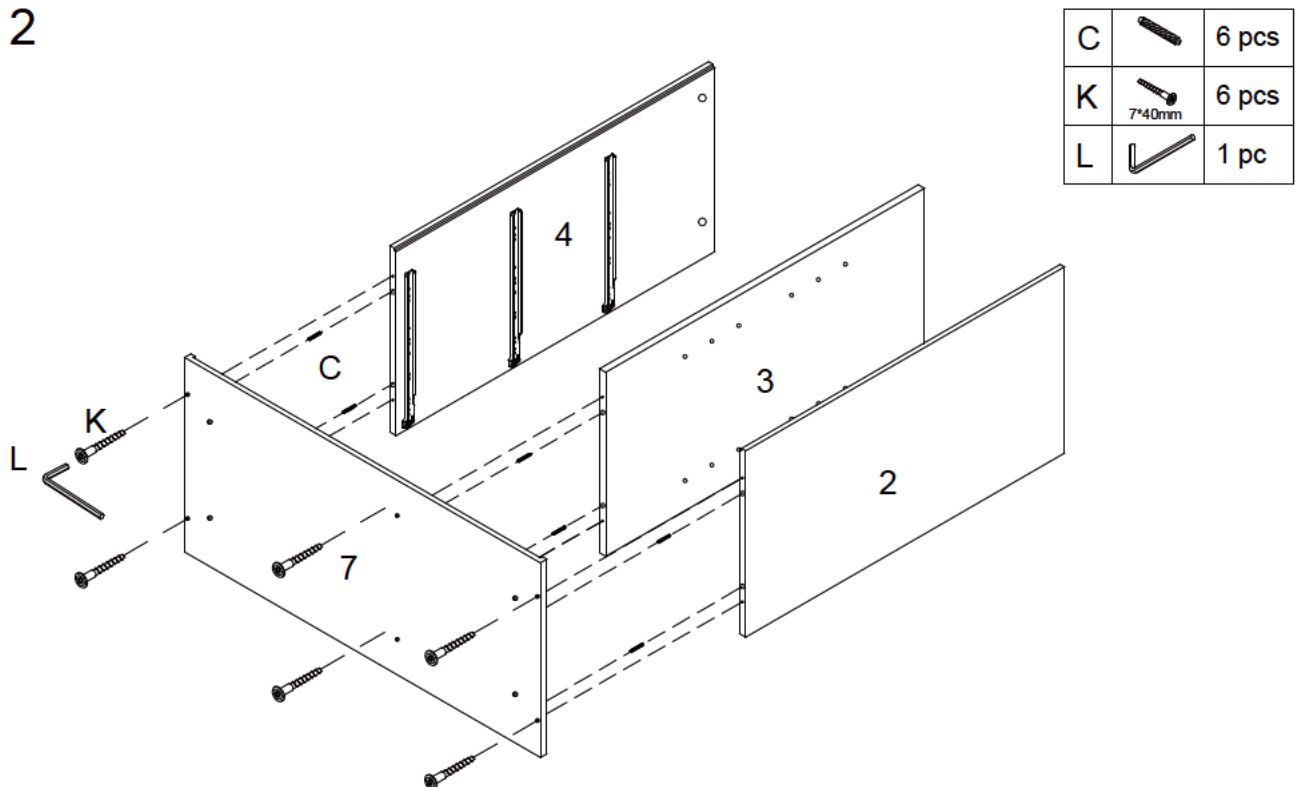
Use a Flat-head Screwdriver to turn Cam-lock clockwise so it locks onto the head of the Cam-bolt. Turn until it is snug (about 3/4ths of a turn) -- over-tightening could damage Cam-lock or/and Cam-bolt.

# STEP 1






- Lay Right Panel (4) and Divide Panel (3) as shown on a material that does not scratch or damage the panels.
- Place Drawer Glide (H2 & H1) to align the designated screw holes on (H2 & H1) to pilot holes on (3 & 4) - refer to enlarged drawing.
- Use Screw (J) to fasten (H2) to (3) and (H1) to (4). Do not tighten (J) completely until all 3 screws are in place.

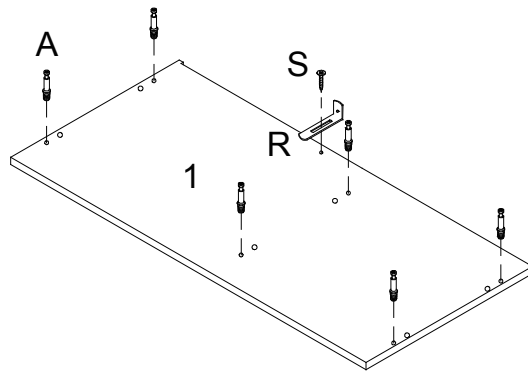
# STEP 2



- Insert Wood Dowel (C) into inner two holes at the bottom edge of Left Panel (2), Divide Panel (3) and Right Panel (4).
- Attach (2, 3 & 4) to Bottom Panel (7) via wood dowels and fasten with Screw (K).
- Tighten Screw (K) with Allen Key (L). Do not over-tighten.



## STEP 3

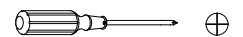
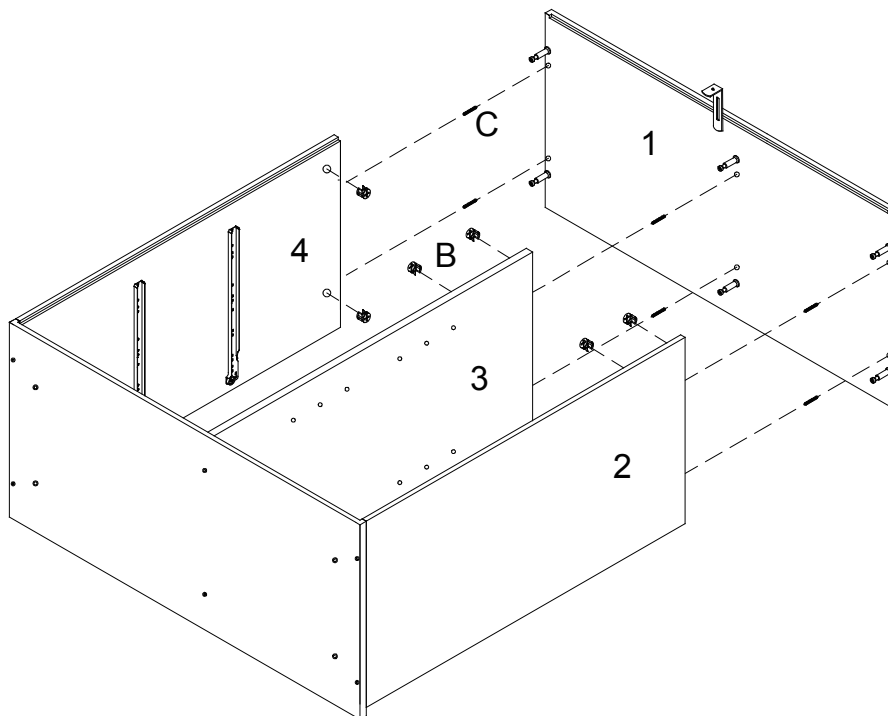
A		6 pcs
R		1 pc
S		1 pc



- Lay Top Panel (1) bottom-side on a material that does not scratch or damage the part.
- Screw in Cam-bolt (A) into the designated holes on (1).  
Refer to Page 5 for instructions on inserting and tightening cam-bolt.
- Attach Bracket (R) to (1) with Screw (S) and ensure (R) can slide.


## STEP 4

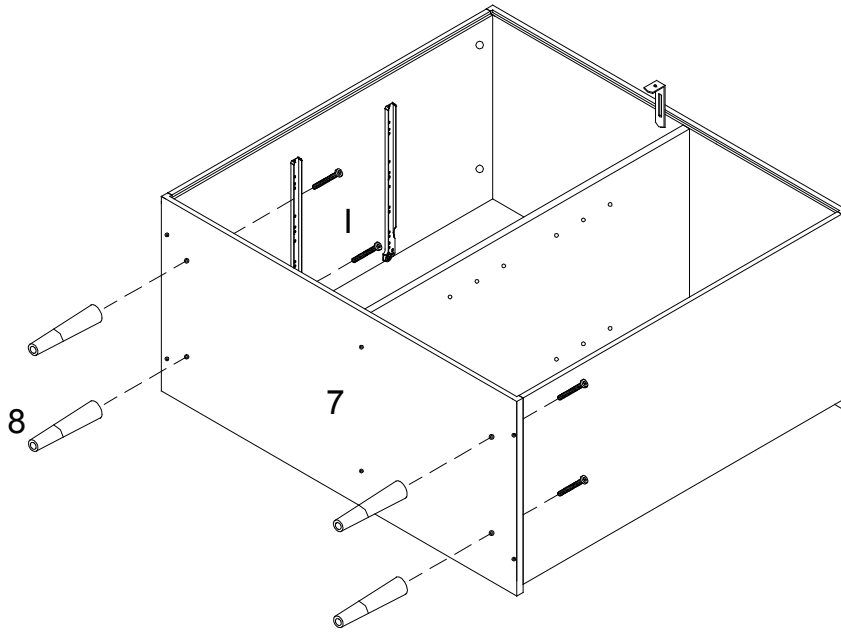
B		6 pcs
C		6 pcs



- Insert Wood Dowel (C) to the inner two holes at the top edge of Side Panel (2 & 4) and Divide Panel (3).
- Attach Top Panel (1) to (2, 3 & 4) via wood dowels and cam-bolts on (1).
- Insert Cam-lock (B) into the designated holes on (2, 3 & 4) then turn clockwise to lock onto cam-bolt.  
Refer to Page 5 for instructions on inserting and tightening cam-lock.

## STEP 5

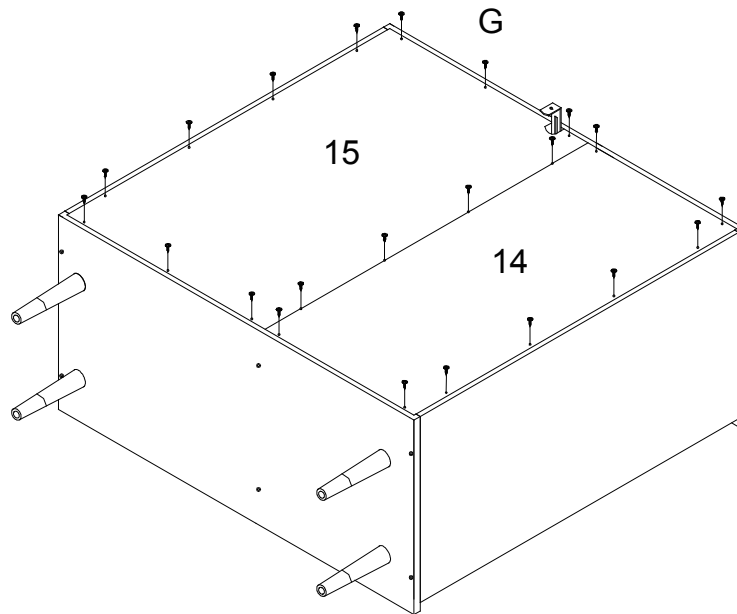
I	 6*30mm	4 pcs
---	--	-------



- Attach Leg (8) to Bottom Panel (7) and fasten with Bolt (I).
- Tighten Bolt (I) with Allen Key (L).

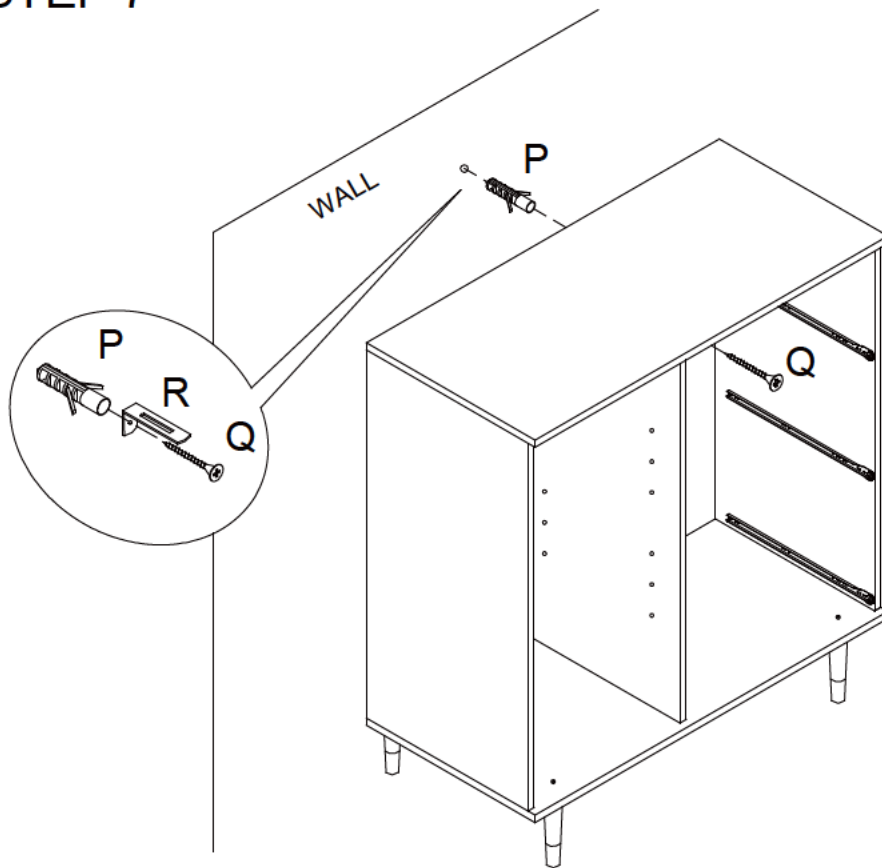
## STEP 6

G	 2.5*10mm	22 pcs
---	---	--------



- Attach Left Back Panel (14) and Right Back Panel (15) with Screw (G).
- With assistance, set the assembly right-side up.

## STEP 7



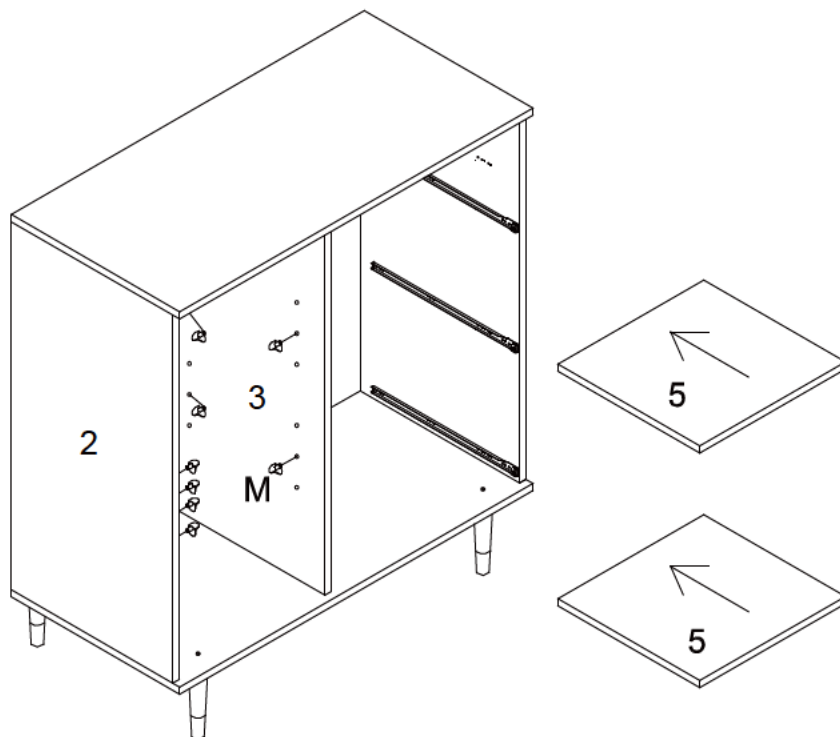
P		1 pc
Q		1 pc



- Drill a hole in the dry wall per the length and diameter of Plastic Anchor (P) and the height need to be the same as the screw hole on Bracket (R).
- Press (P) into the drilled hole. Ensure that the anchor fits securely in the wall.
- Drive Screw (Q) through the screw hole on adjustable Bracket (R) into the screw hole on (P) to secure the unit to the wall.

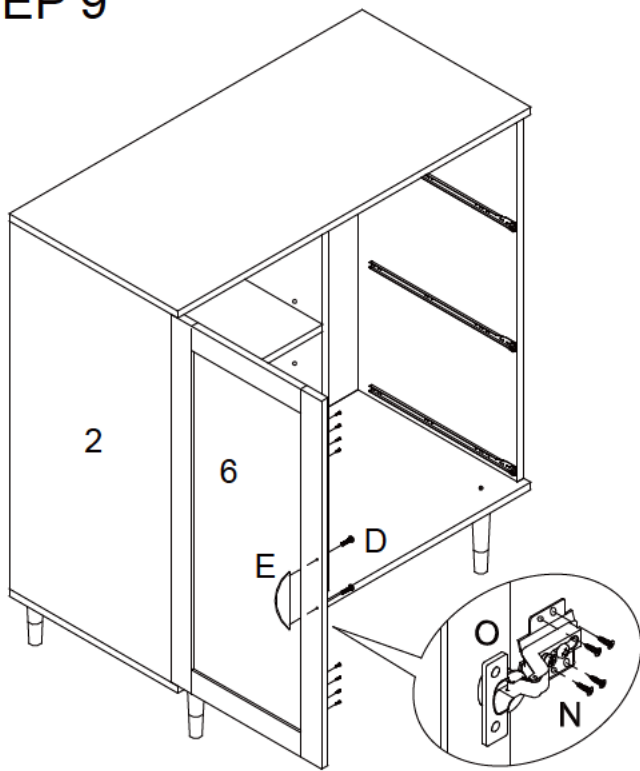
## STEP 8

M		8 pcs
---	--	-------

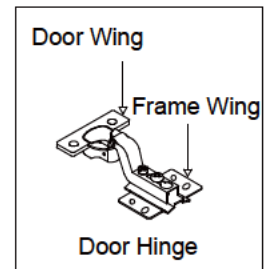
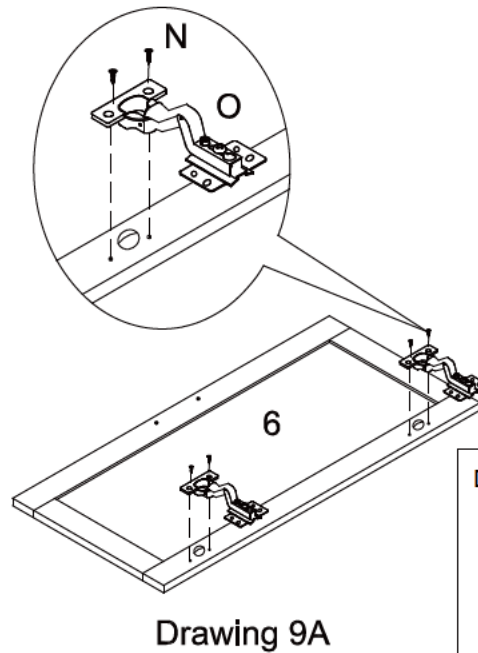
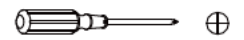


- Insert Shelf Pin (M) into the designated holes on the same level at the desired height on Side and Divide Panel (2 & 3).
- Place Shelf (5) by tilting each shelf to fit between the side and divide panels and then level it to sit on (M).

# STEP 9



D	4*18mm	2 pcs
E		1 pc
N	3.5*14mm	12 pcs
O		2 pcs

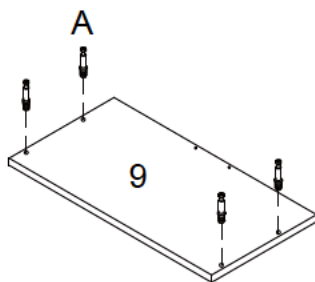
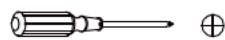


Drawing 9A

- Refer to Drawing 9A - Lay Door (6) facing up as shown on a material that does not scratch or damage the front surface and place Hinge (O) to fit the cup of the Door Wing into the hinge well on door. Next, use Screw (N) to fasten Door Wing.
- Position Door (6) to align the screw holes on the Frame Wing of the hinge to the pilot holes on the Left Panel and fasten with Screw (N).
- Attach Handle (E) to door with Bolt (D).

# STEP 10

A		12 pcs
---	--	--------

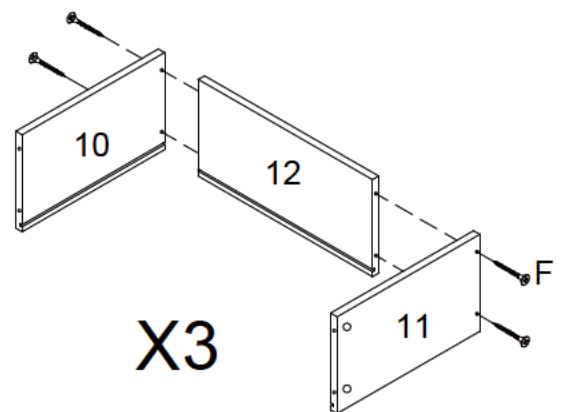
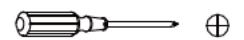


X3

- Lay Drawer Front Panel (9) bottom-side up on a material that does not scratch or damage the part.
- Screw in Cam-bolt (A) into the designated holes on (9).

# STEP 11




F	4*30mm	12 pcs
---	--------	--------

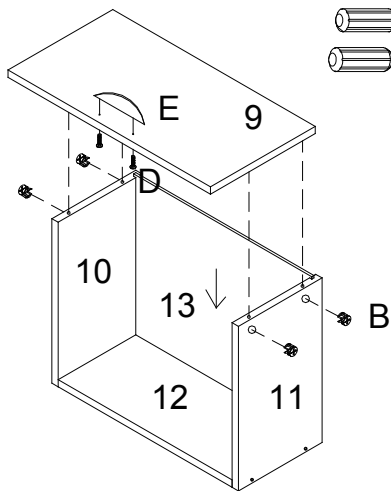
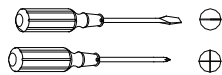


X3

Position Drawer Back Panel (12) between Drawer Left and Right Panel (10 & 11) as shown. Check that the groove on each part is aligned and then fasten (10 & 11) to (12) with Screw (F).

## STEP 12




B		12 pcs
D	 4*18mm	6 pcs
E		3 pcs

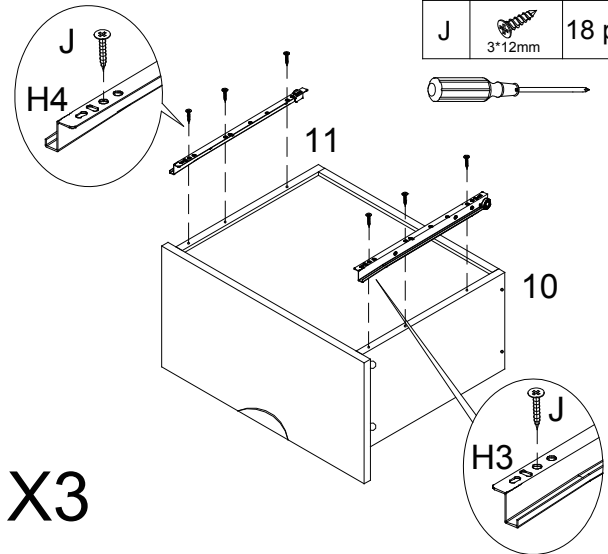
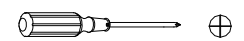


X3

- Fit Drawer Bottom Panel (13) via groove on Drawer Left, Right & Back Panel (10, 11 & 12).
- Attach Drawer Front Panel (9) from STEP 10 to (10 & 11) via Cam-bolts on (9). Ensure top edge of (13) fits into the groove on the inside-face of (9).
- Insert Cam-lock (B) into the designated holes on (10 & 11) then turn clockwise to lock onto Cam-bolt on (9).
- Fasten Handle (E) to (9) with Bolt (D).

## STEP 13

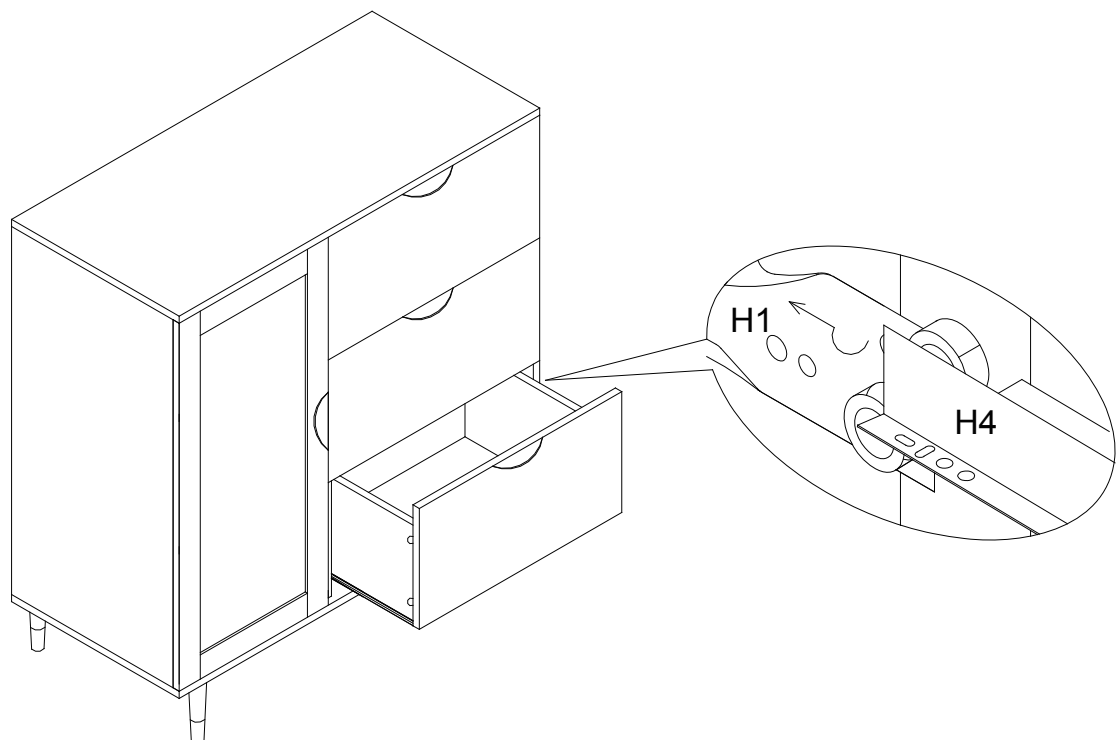
H3		3 pcs
H4		3 pcs
J	 3*12mm	18 pcs



X3

- Position Drawer Glide (H3 & H4) against Drawer Side Panel (10 & 11) as shown and identify the designated screw holes on (H3 & H4) - refer to enlarged drawing.
- Use Screw (J) to fasten (H3 & H4) to Side Panels (10 & 11). Use a Phillips screwdriver to drive (J). Do not tighten (J) completely until all 3 screws are in place on each glide.

## STEP 14

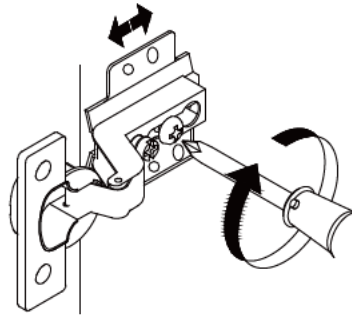
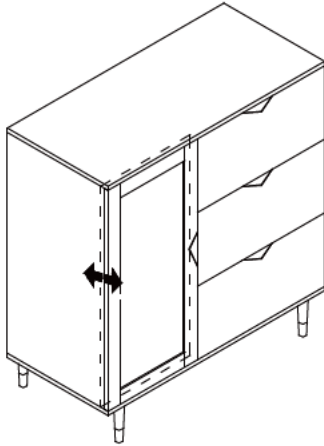


Insert Drawer as shown.

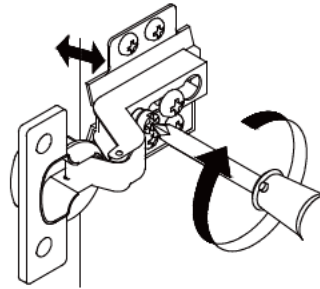
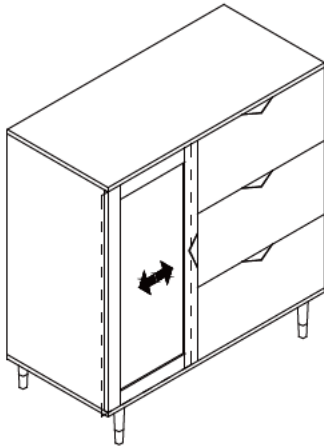
- Align roller on Drawer Glide (H3 & H4) on drawer to be above the roller on Drawer Glide Track (H2 & H1) on Right & Divide Panel, and slide roller on (H3 & H4) into track rail on (H2 & H1).
- Push drawer squarely and gently to allow (H3 & H4) to slide into (H2 & H1).

# STEP 15

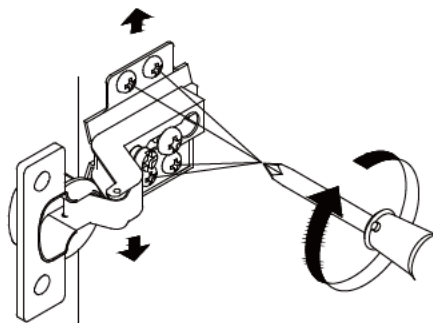
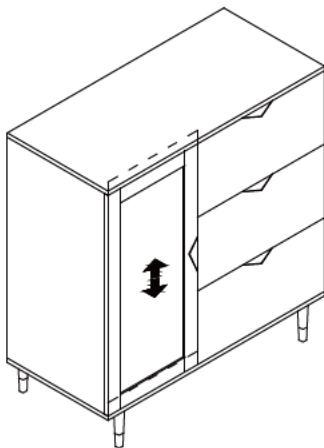
Door Adjustments - If necessary, adjust the doors to reduce gap between doors and also for a better fit.



Adjust the back screw as shown to adjust the door front and back.



Adjust the front screw as shown to adjust the door left and right.



Adjust four screws as shown to adjust the door up and down.

The assembly of the Buffet is complete.