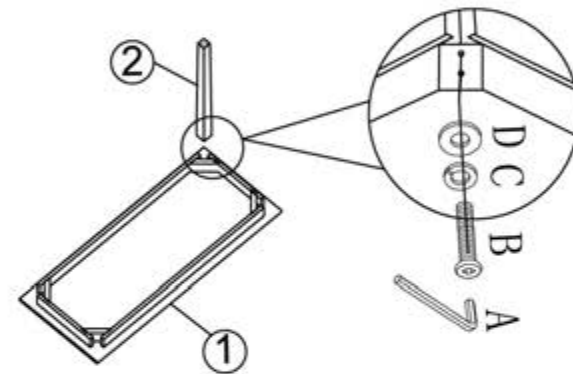


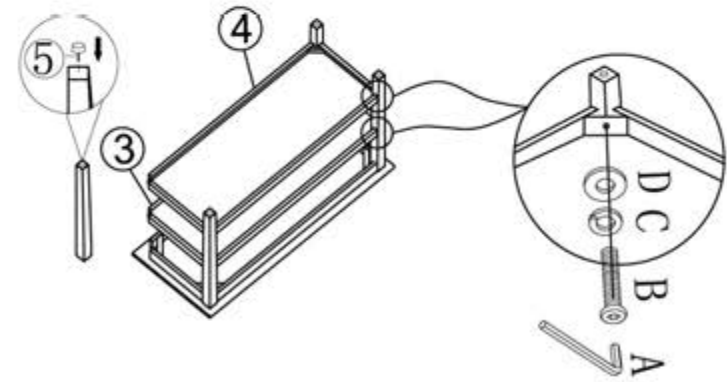
ASSEMBLY INSTRUCTIONS & PARTS IDENTIFICATION



STEP 1



STEP 2



SOFA TABLE		
A	Allen Wrench 4MM	1PC
B	Screw $\phi 1/4 \times 2"$	16PCS
C	Lock Washer $\phi 1/4"$	16PCS
D	Flat Washer $\phi 1/4 \times 16MM$	16PCS
1	Top	1PC
2	Leg	4PCS
3	Middle Shelf	1PC
4	Bottom Shelf	1PC
5	Floor Glide	4PCS