

Assembly instructions for the chair, including tool requirements, estimated time, and person count.

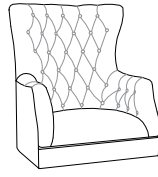
Tools: A screwdriver is shown in a circle, indicating it is required for assembly.

Warning: A warning triangle with an exclamation mark is shown next to the tool icon.

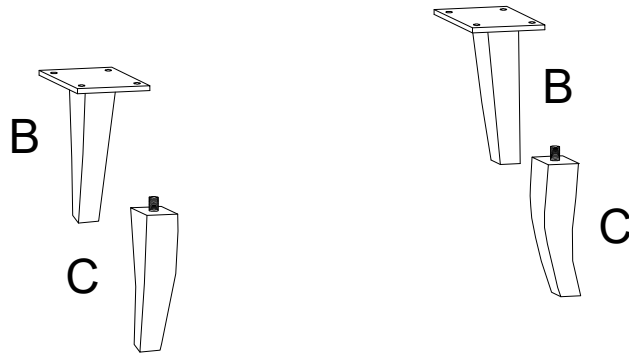
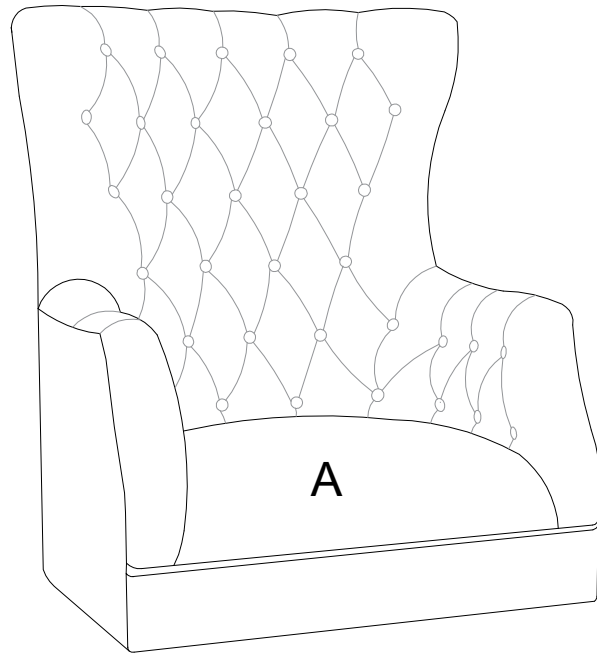
Time: A clock icon is shown, indicating an estimated assembly time of 15 minutes.

Person Count: A person icon is shown, indicating that 1 person is required for assembly.

A



x 1



B



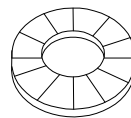
x 2

C



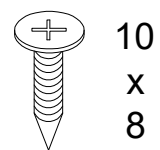
x 2

D



x 2

E



10
x
8

x 8

1

A



x 1

C

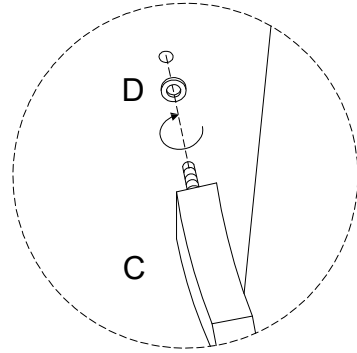
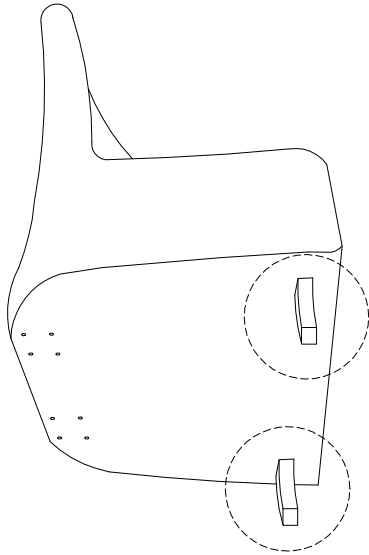


x 2

D



x 2



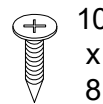
2

B



x 2

E



10
x
8

x 8

