

30-Inch Gas Cooktop

CONTEMPORARY

dacor



DTG30M954FS/DA – Silver Stainless, Natural Gas

DTG30M954FM/DA – Graphite Stainless, Natural Gas

Features & Benefits

- SimmerSear™ brass burners
- Flush installation
- Auto Connect to compatible ventilation through Bluetooth
- SmartThings Wi-Fi connectivity
- Illumina™ Knobs
- Perma-Flame™
- LP conversion kit

Controls

CONTROL TYPE	Knobs
ILLUMINA™ KNOBS	White
WI-FI + SMARTTHINGS	Yes
SABBATH MODE	Yes

Cooktop

NUMBER OF BURNERS	5 Brass
PERMA-FLAME™ (AUTO RE-IGNITION)	Yes
LEFT FRONT (BTU)	18,500
LEFT REAR (BTU)	13,000
RIGHT FRONT (BTU)	9,500
RIGHT REAR (BTU)	9,500
BRASS BURNER CAPS	Yes
GRIDDLE	No
WOK RING	No

Weights & Dimensions

NET WEIGHT (LBS.)	71
SHIPPING WEIGHT (LBS.)	85
PRODUCT DIMENSIONS (W x H x D IN INCHES)	30 x 6 x 21
CUTOUT REQUIRED (W x D IN INCHES)	28 5/8 x 19 3/4

Technical Details

ELECTRICAL REQUIREMENTS	120V, 60 Hz, 20A
AVAILABLE FUEL TYPES	Natural Gas, Liquid Propane
LP CONVERSION KIT (INCLUDED)	Yes

Warranty

FULL COVERAGE	2 Years
----------------------	---------

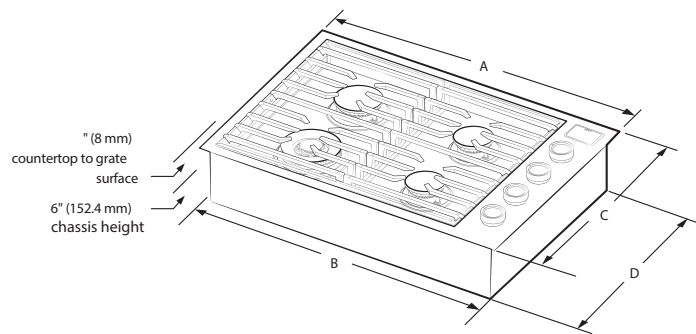
30-Inch Gas Cooktop

CONTEMPORARY

dacor

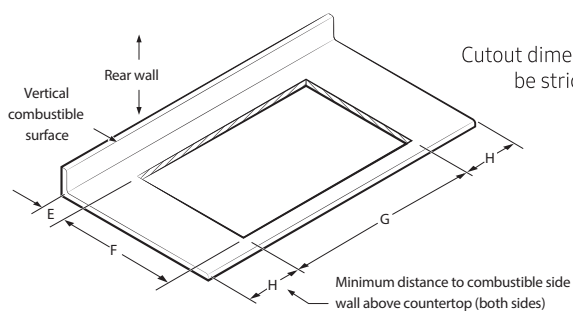
Product Dimensions

A - WIDTH (IN/MM)	30 / 762
B - CHASSIS WIDTH (IN/MM)	28 ½ / 723
C - DEPTH (IN/MM)	21 / 533
D - CHASSIS DEPTH (IN/MM)	19 ½ / 495



Installation Cutout Dimensions

E - MIN (IN/MM)	2 ⅞ / 72
F - MIN (IN/MM)	19 ¾ / 501
G - MIN (IN/MM)	28 ⅞ / 727
H - MIN (IN/MM)	12 / 304



CAUTION
Cutout dimensions should be strictly observed.