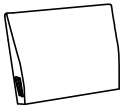

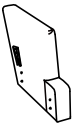
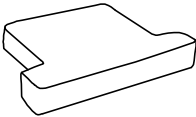
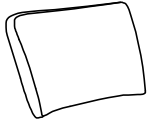
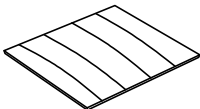


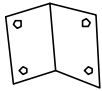

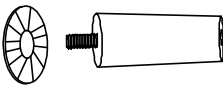




Assembly Instructions

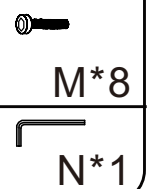
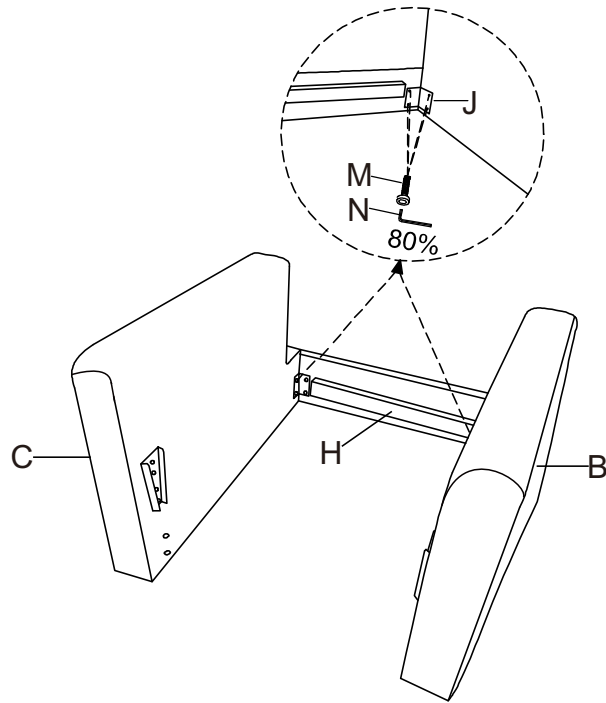
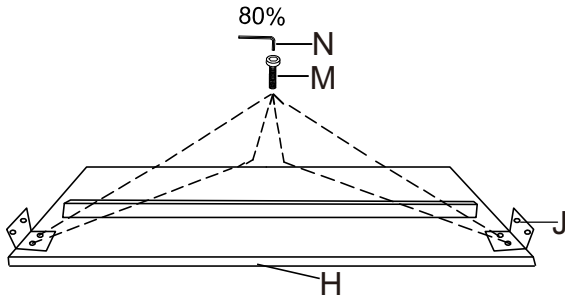
Parts List

A		Back	1
B		Left arm	1
C		Right arm	1
D		Cushion	1
E		Backrest	1
F		Seat cover plate	1
G		Rear seat plate	1
H		Front seat plate	1
J		Connector	4
K		Feet	2
L		Feet	2
M		Screw M8*20mm	16
N		Wrench	1

Assembly Instruction

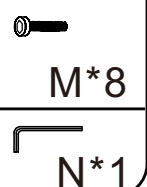
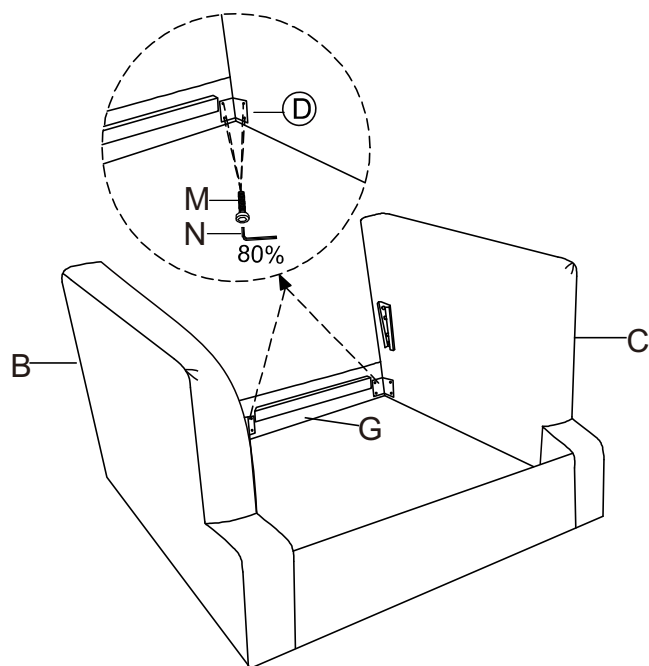
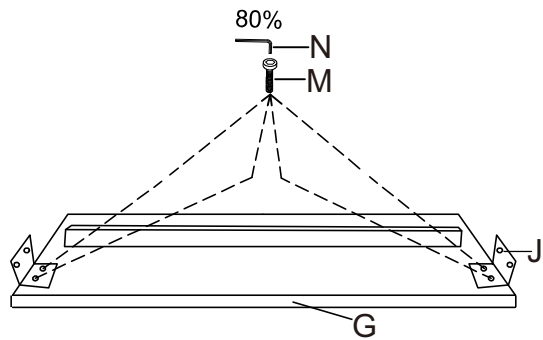
Step 1

Connect the armrest to the front frames of the seat.
Please note that the screws are only tightened by 80%.



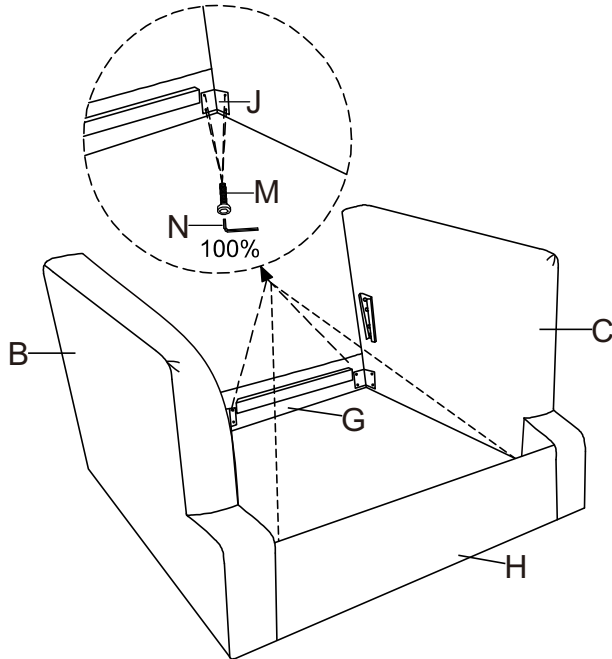
Step 2

Connect the armrest to the rear frames of the seat.
Please note that the screws are only tightened by 80%.



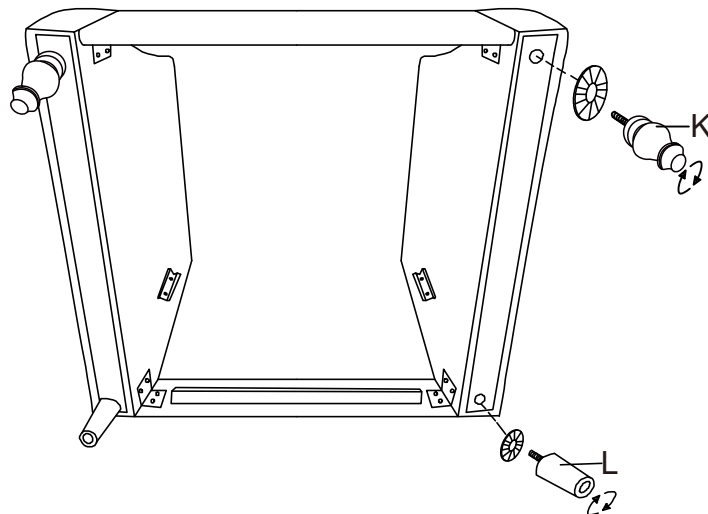
Step 3

Please note that all screws are tightened 100%.



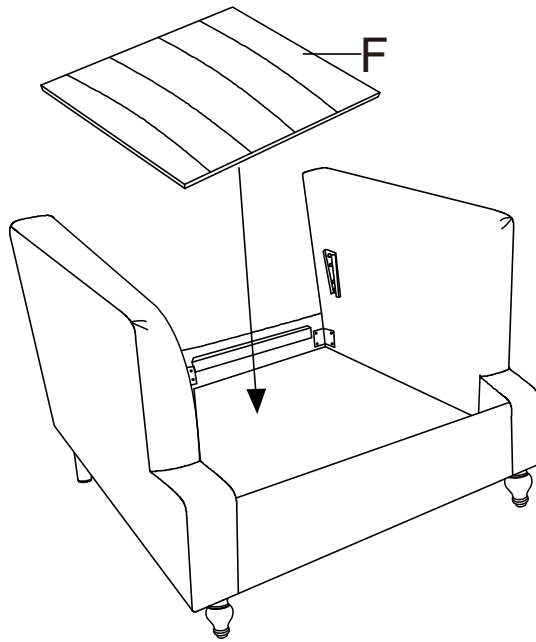
Step 4

Install the chair legs.



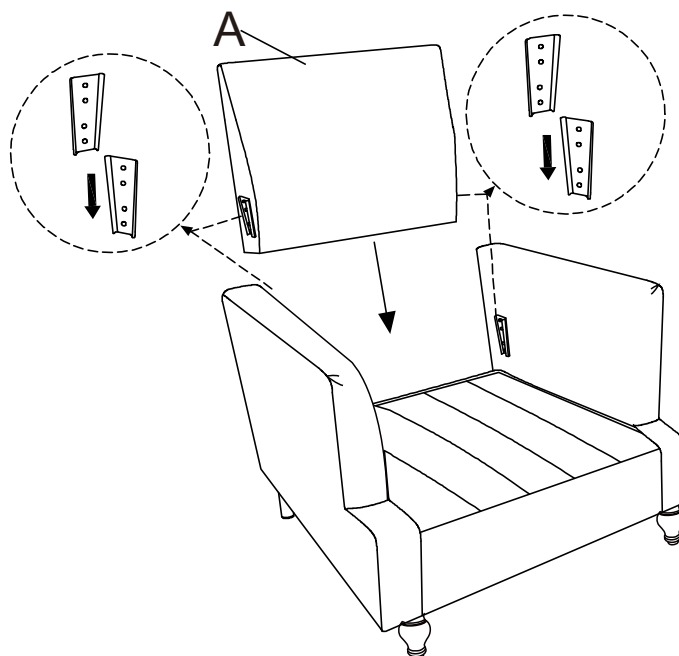
Step 5

Place the seat board into the seat frame.



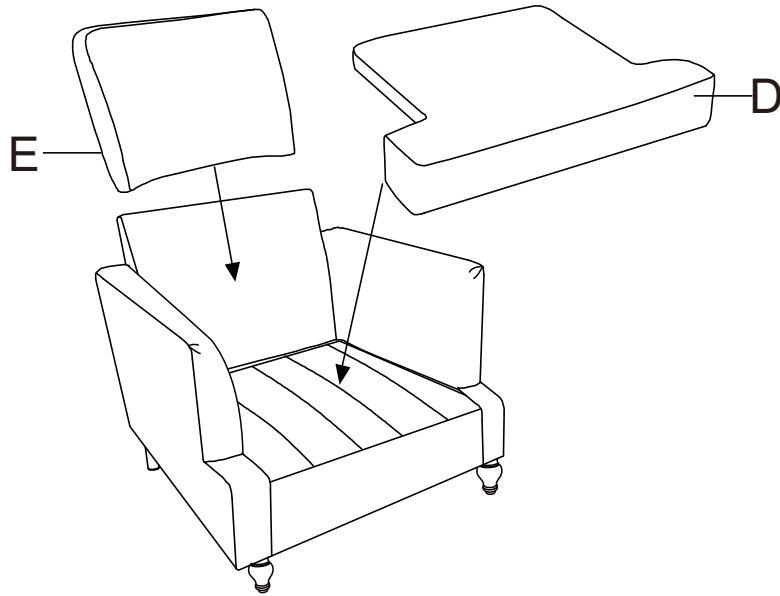
Step 6

Insert the back frame.



Step 7

Place the seat cushion and backrest properly.



Step 8

Finish.

