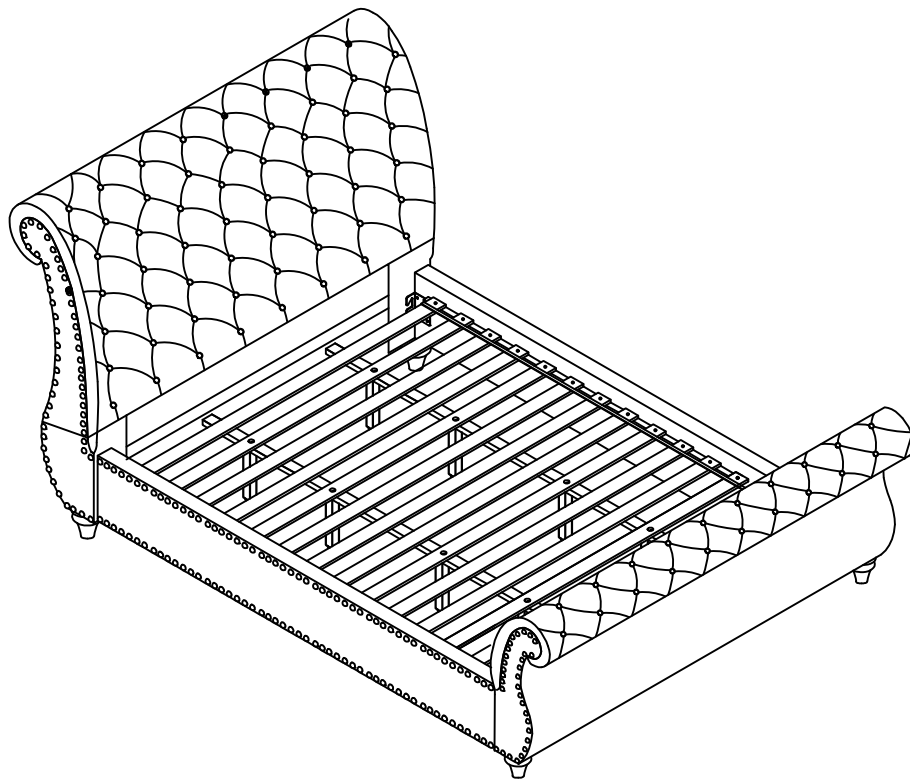


Assembly Instructions



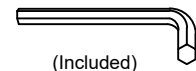
ASSEMBLY RATING

The Assembly Rating is a 5-point system that shows the degree of effort needed in assembling a specific product (with 1 being easy and 5 being difficult). For some products, two persons are recommended.

EASY  DIFFICULT





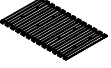



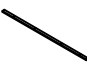

Tools Required For Assembly:

Allen Wrench











2 PERSONS RECOMMENDED

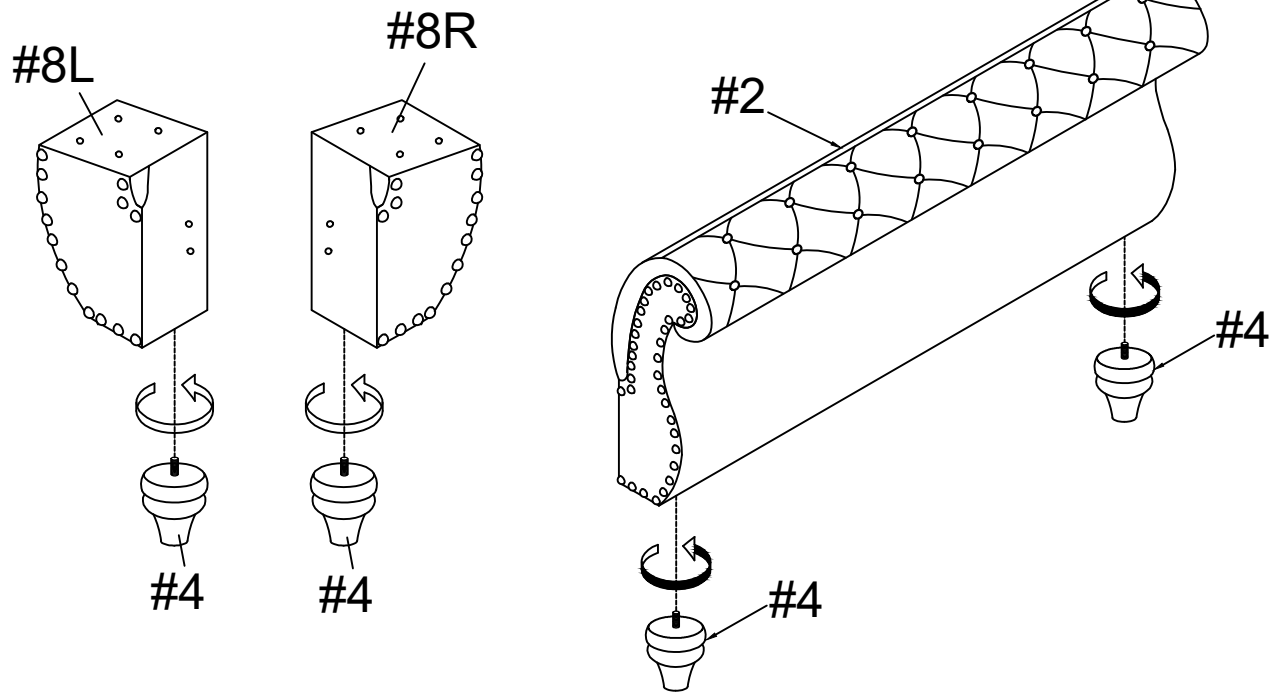
Parts List

| | |
|---|---|
|  | #1 x 1pc Headboard |
|  | #2 x 1pc Footboard |
|  | #3 x 2pcs Side Rail |
|  | #4 x 4pcs HB/FB Leg |
|  | #6 x 13pcs Slat |
|  | #7 x 8pcs Support leg 310X30X30mm |
|  | #8 x 2pcs HB Leg (L&R) |
|  | #9 x 1pc HB Support Rail |
|  | #10 x 2pcs Middle Folding Rail |
|  | #11 x 2pcs Connecting iron |

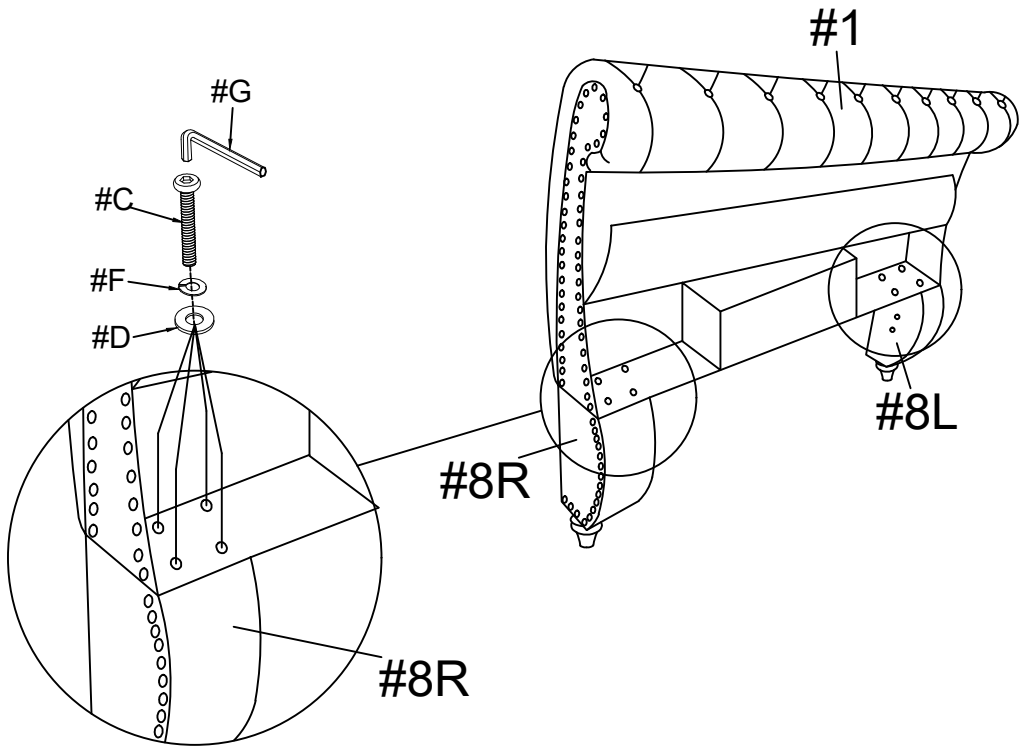
Hardware List

| | |
|---|---------------------------------------|
|  | #A x 6pcs Bolt Ø5/16"X3/4" |
|  | #B x 8pcs Bolt Ø5/16"X1-1/2" |
|  | #C x 8pcs Bolt Ø5/16"X2-1/2" |
|  | #D x 8pcs Flat Washer Ø5/16"X22MM |
|  | #E x 14pcs Flat Washer Ø5/16"X19MM |
|  | #Fx 22pcs Spring Washer Ø5/16" |
|  | #G x 1pc Allen Key 5MM |
|  | #H x 26pcs Screw #8X38MM |

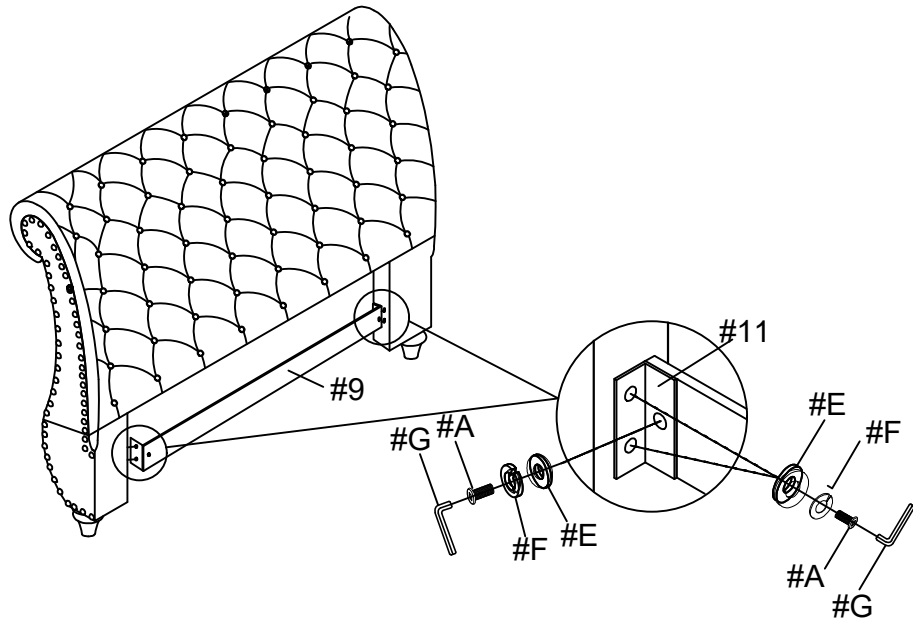
STEP.1



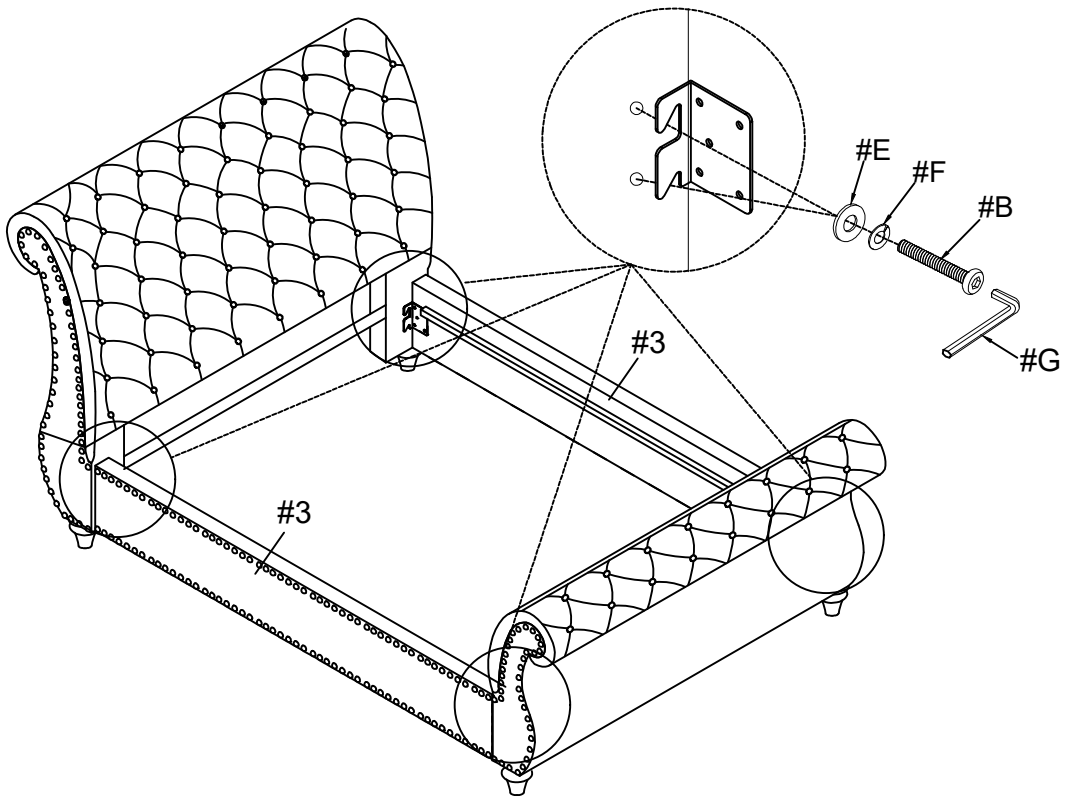
STEP.2



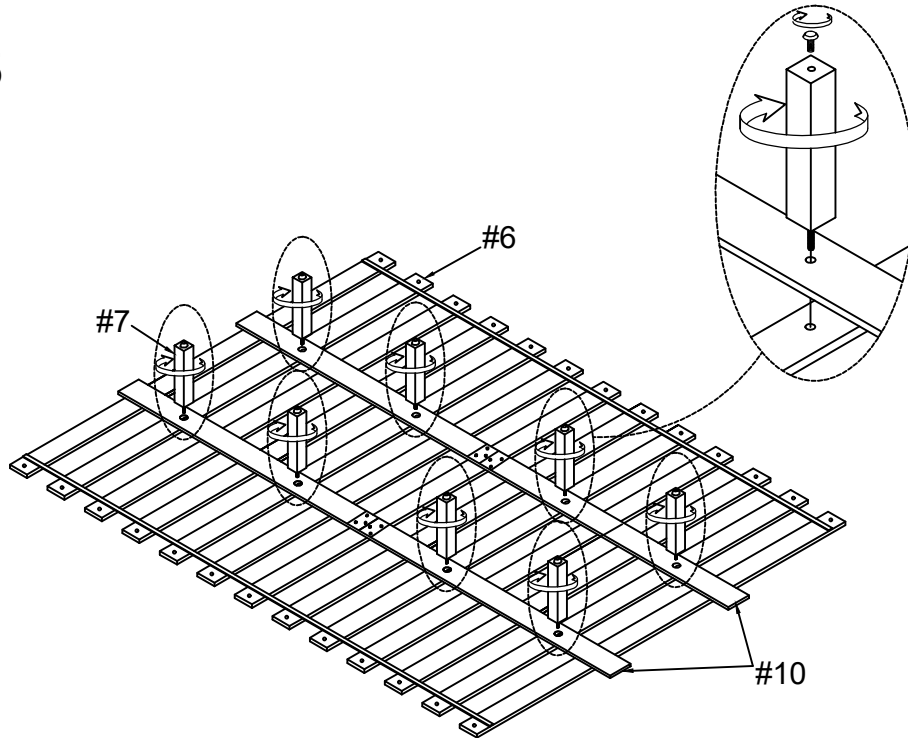
STEP.3



STEP.4



STEP.5



STEP.6

