

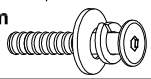
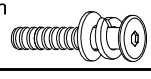
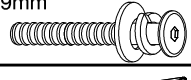


# ASSEMBLY INSTRUCTIONS

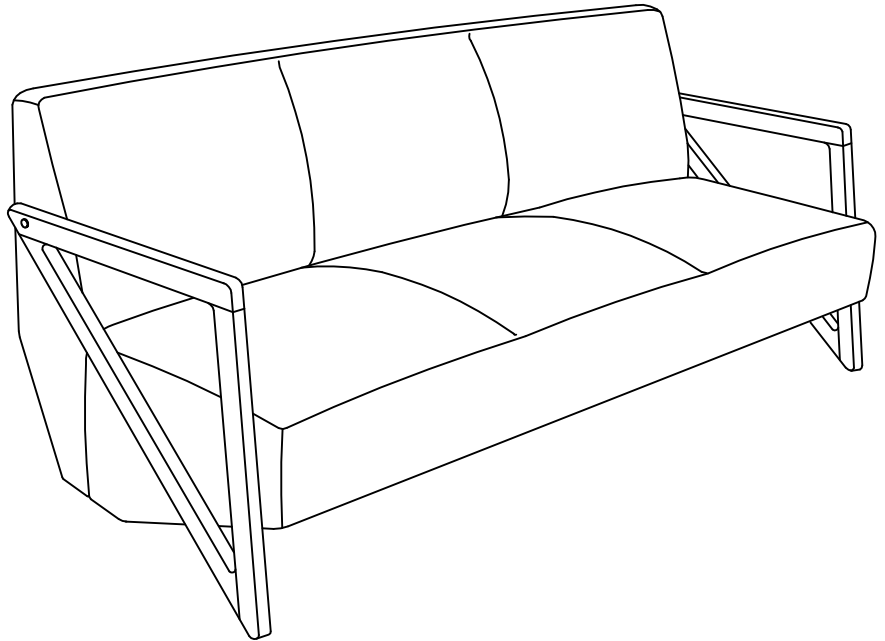
## MODEL : SOFA - 3 SEATER

### IMPORTANT NOTE :

- \* PLACE ALL WOODEN PARTS ON A CLEAN AND SMOOTH SURFACE SUCH AS A RUG OR CARPET TO AVOID THE PARTS FROM BEING SCRATCHED.
- \* BEFORE YOU BEGIN, KINDLY FOLLOW THE ASSEMBLY INSTRUCTIONS STEP BY STEP.

### HARDWARE LIST

A	JCBC M6 x 35mm + S/W M6 + F/W M6 x 19mm 	4PCS
B	JCBC M6 x 35mm + S/W M6 + F/W M6 x 13mm 	2PCS
C	JCBC M6 x 40mm + S/W M6 + F/W M6 x 19mm 	8PCS
D	ALLEN KEY M4 (Ball Shape) 	1PC
E	WOOD BUTTON Ø 14.5 	2PCS

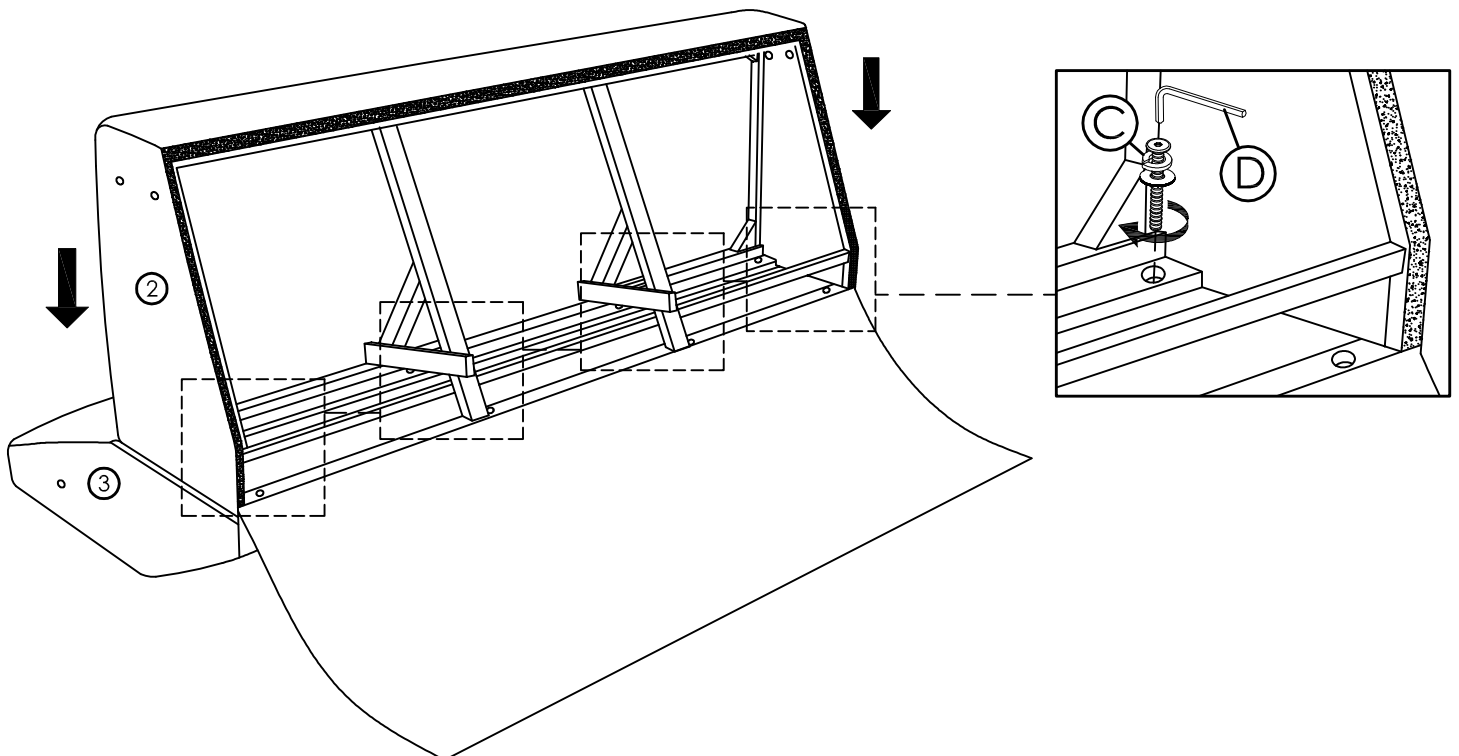


COMPLETED SOFA ASSEMBLY.

### PART LIST

1	ARM REST (L/R)	2PCS
2	SOFA SEAT	1PC
3	SOFA BACK REST	1PC

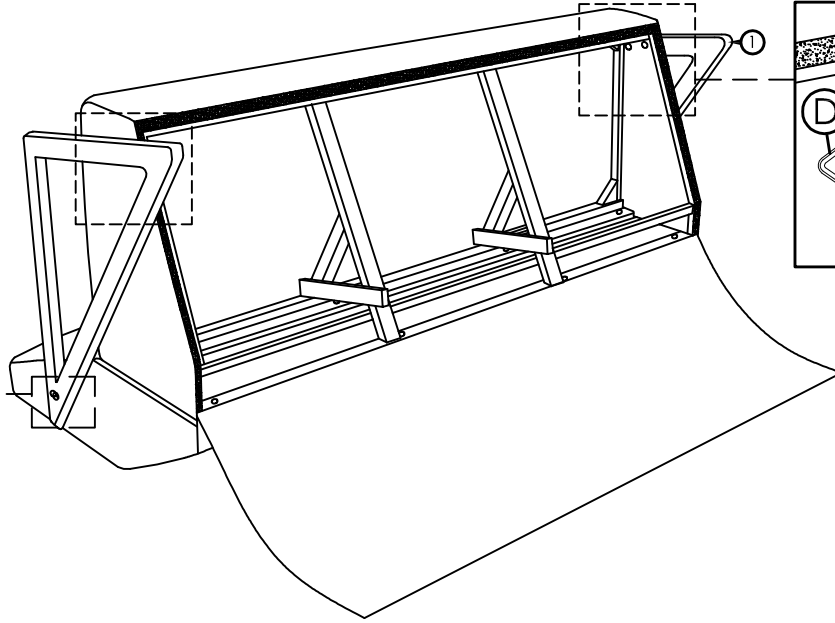
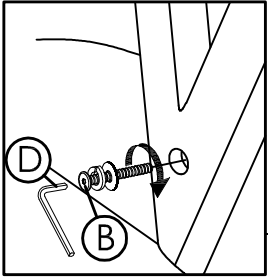
### STEP 1



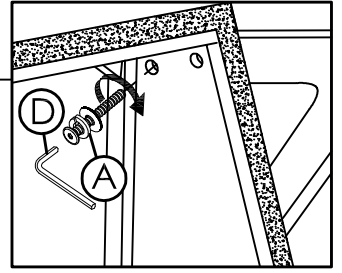
# ASSEMBLY INSTRUCTIONS

## STEP 2

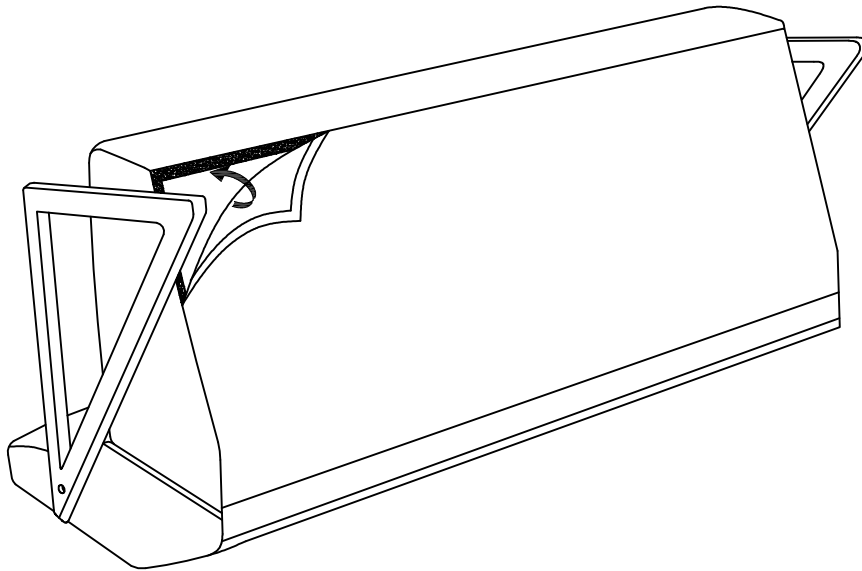
### STEP 2(b)



### STEP 2(a)



## STEP 3



## STEP 4

