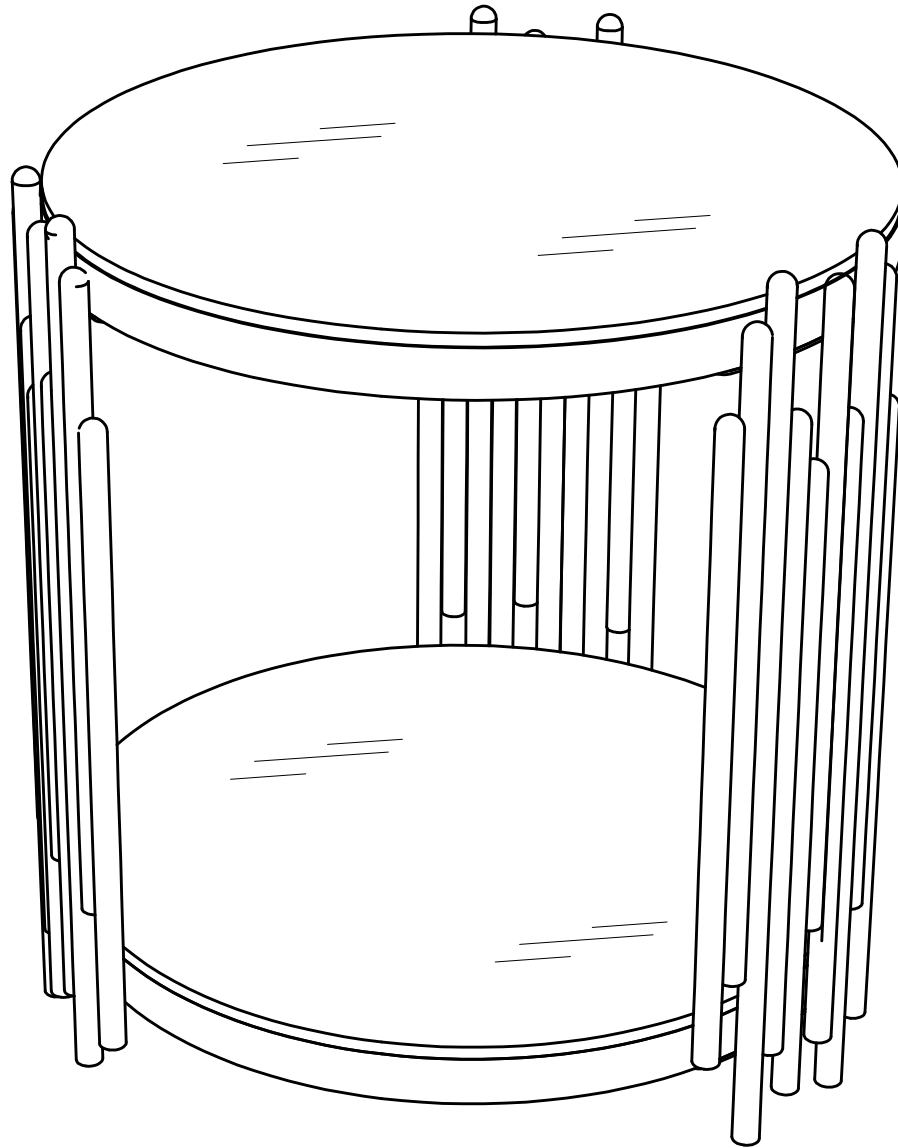
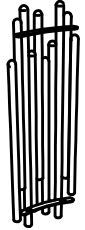
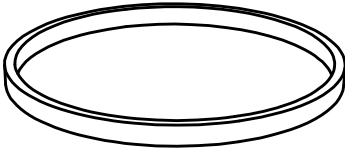
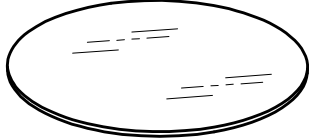



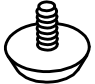


ASSEMBLE INSTRUCTION



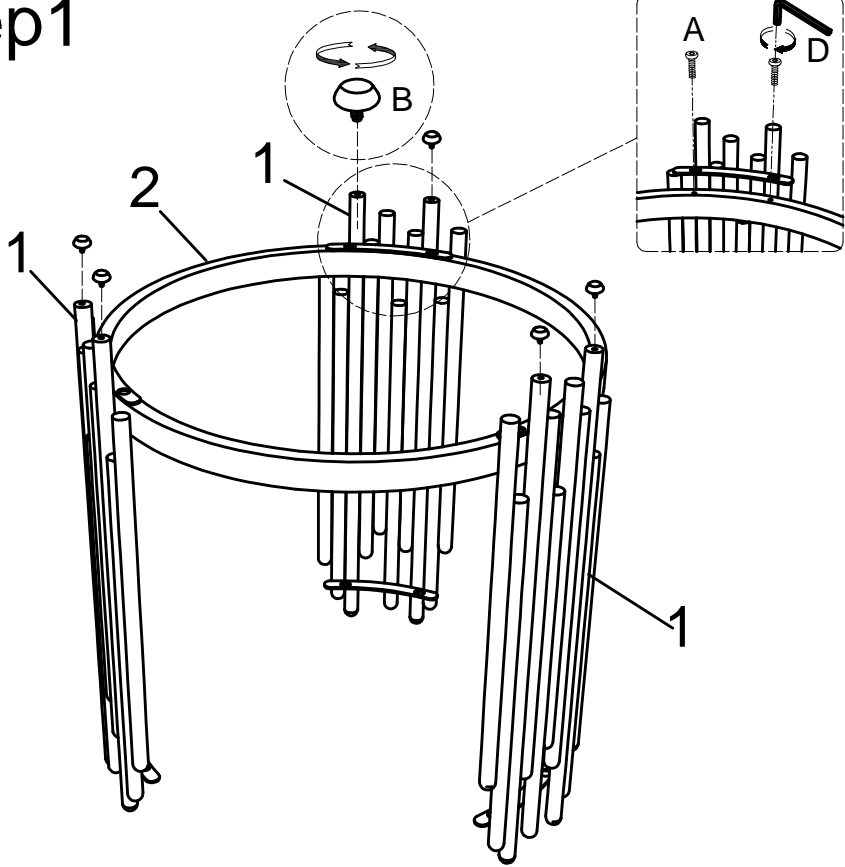
Parts List

 <p>Table leg</p>	 <p>Metal frame</p>	 <p>Glass</p>
<p>1. 3pcs</p>	<p>2. 2pcs</p>	<p>3. 2pcs</p>

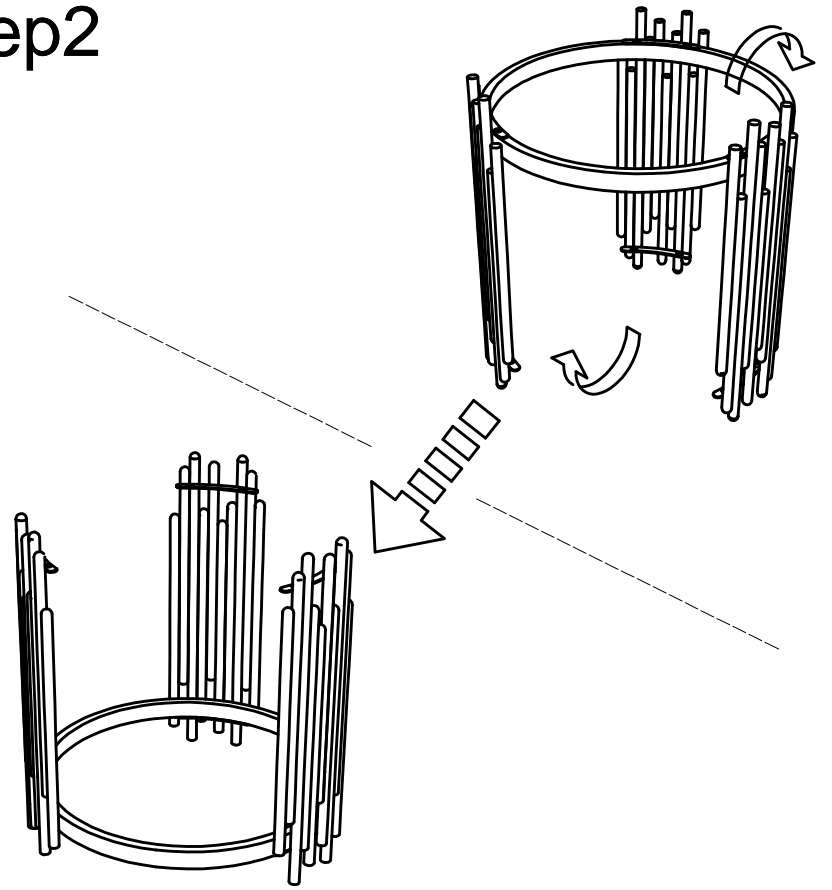
Hardware List

 <p>Screw</p>	 <p>Tack</p>	 <p>Rubber mat</p>	 <p>Wrench</p>
<p>A. 13pcs</p>	<p>B. 7pcs</p>	<p>C. 12pcs</p>	<p>D. 1pc</p>

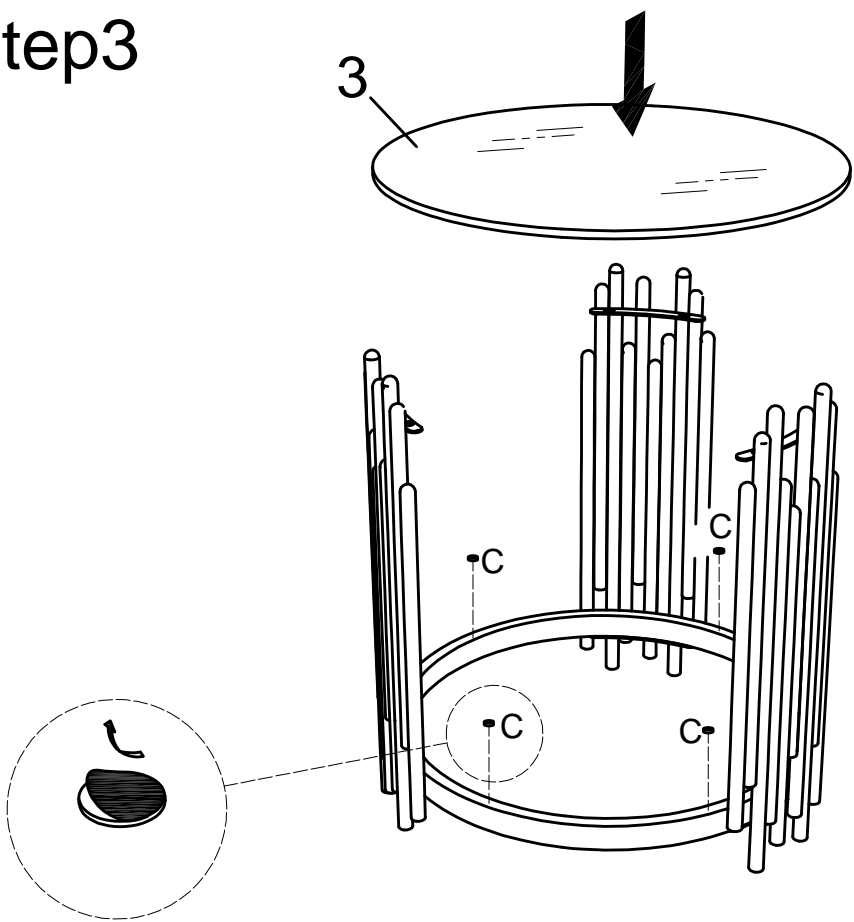
Step1



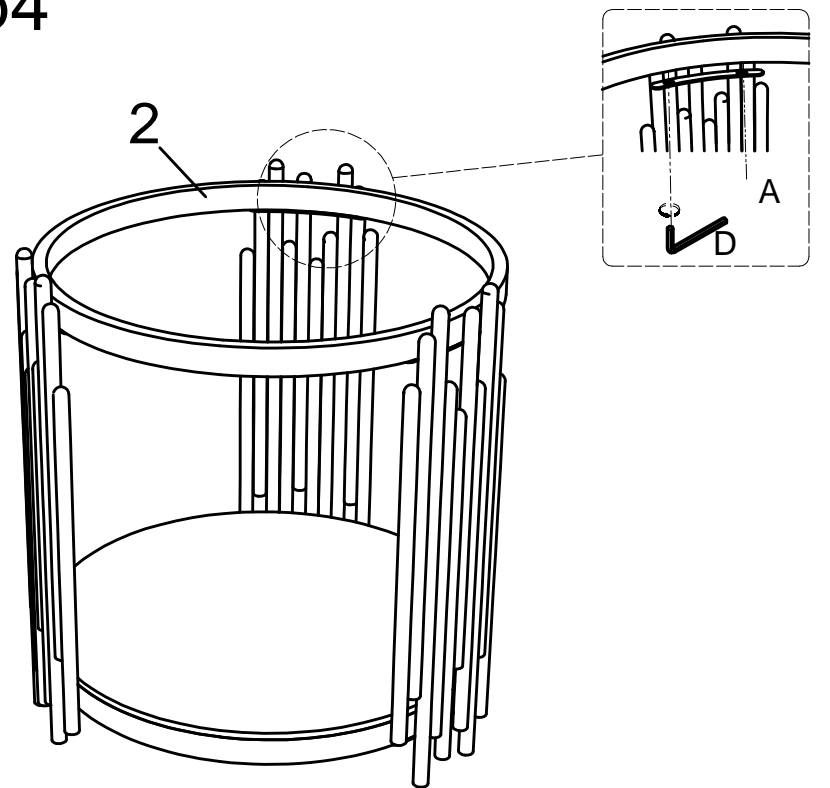
Step2



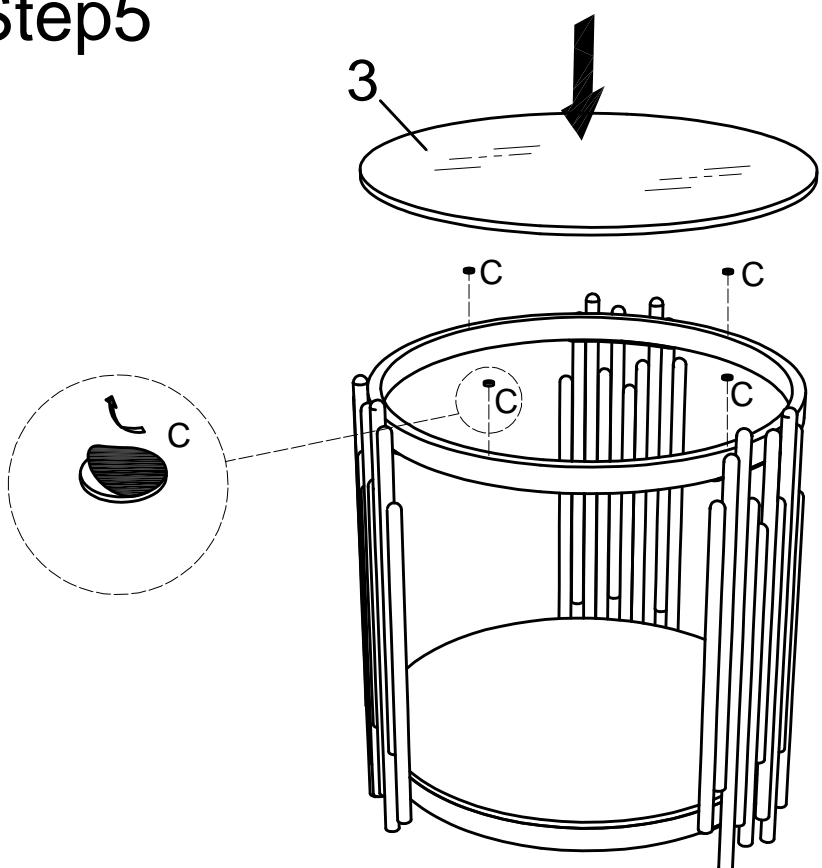
Step3



Step4



Step5



Step6

