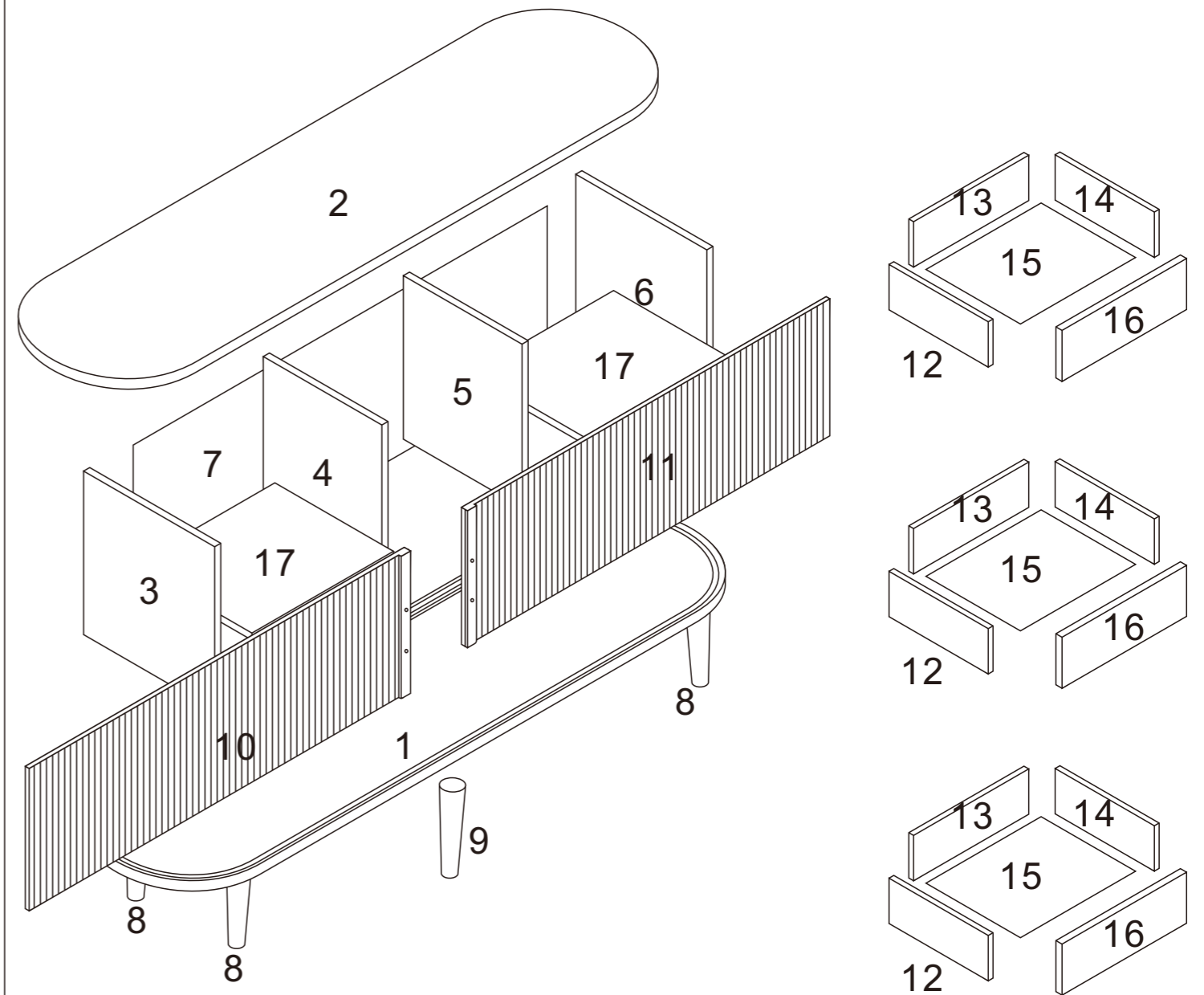
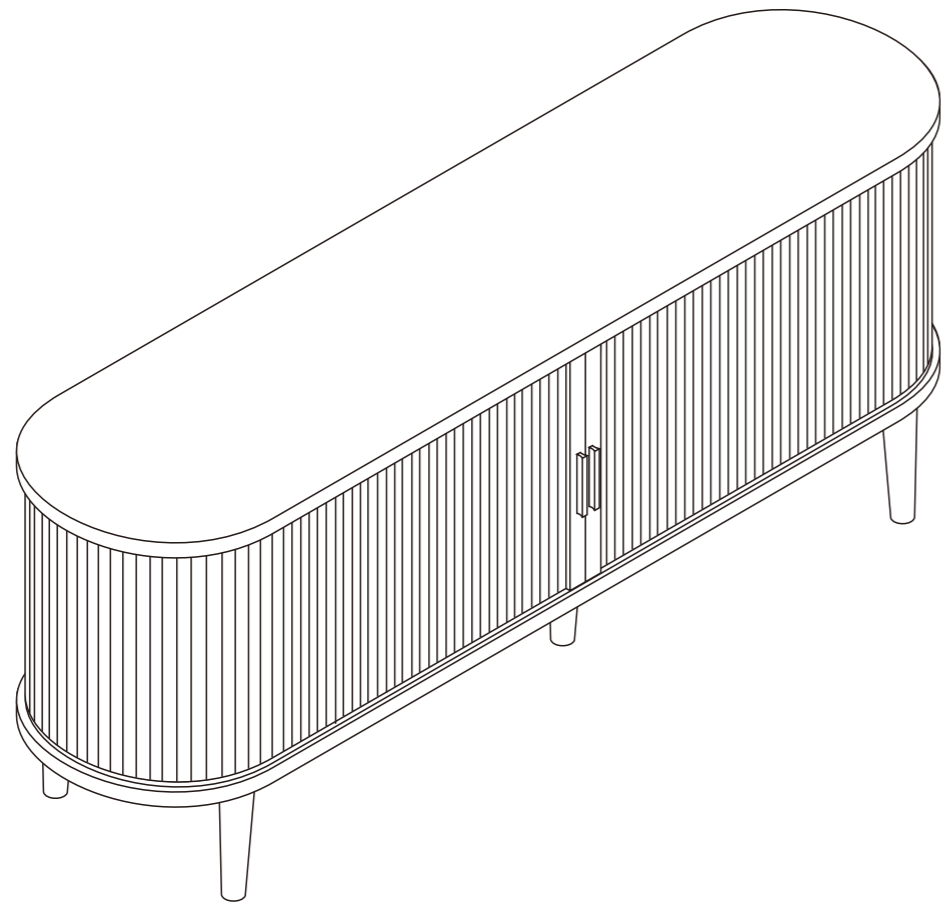
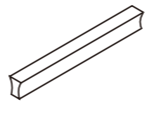


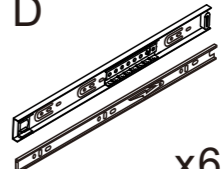
















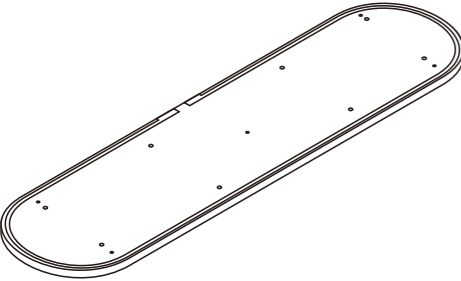
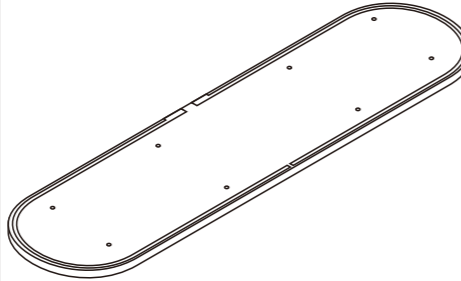
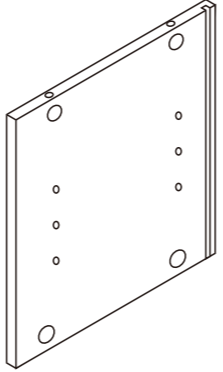
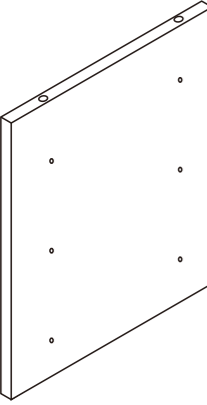
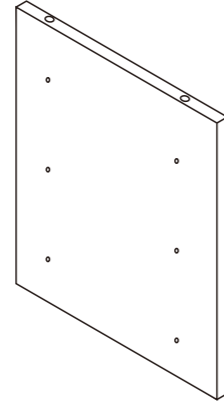
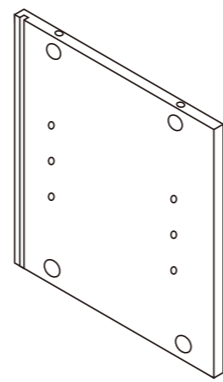
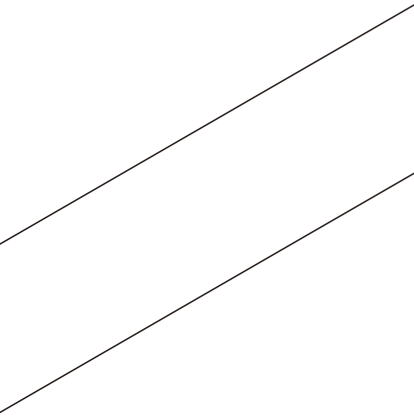


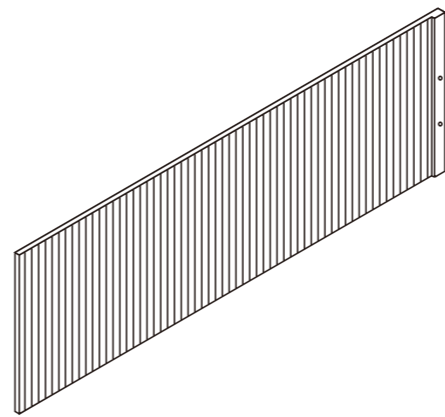
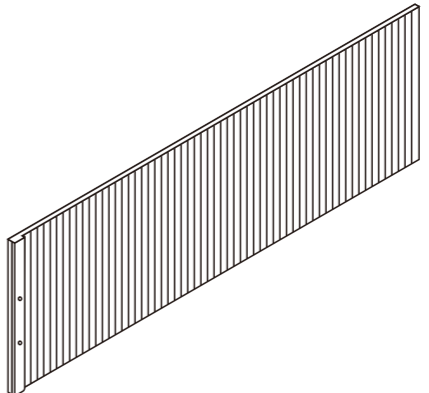
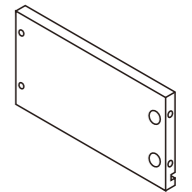
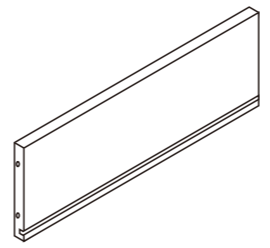
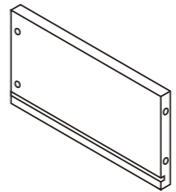
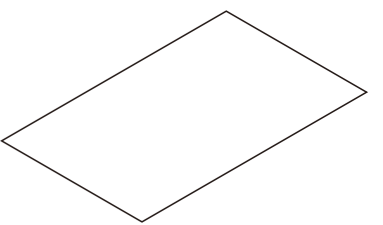
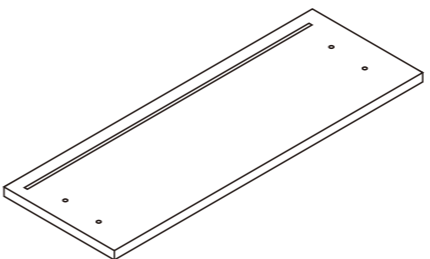
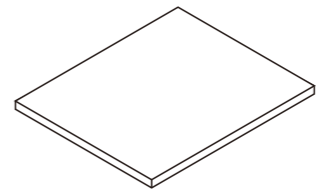


Assembly Instructions



A  x2	B  x4	C  3x14mm x8(+1)	D  x6	E  3x12mm x24(+2)	F  15mm x16(+1)
G  40mm x16(+1)	H  12mm x12(+1)	I  28mm x12(+1)	J  8x25mm x5	K  6. 2x40mm x12(+1)	L  x6
M  x1	N  x1	O  x8	LL  x2	OO  x2	NN  x4
MM  x2	KK  x2				

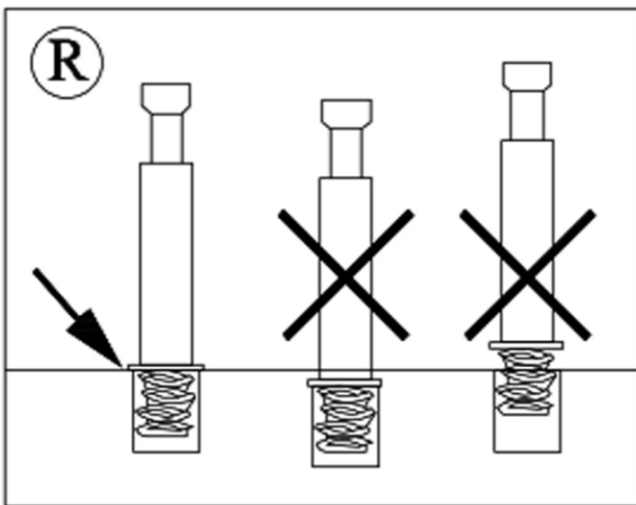
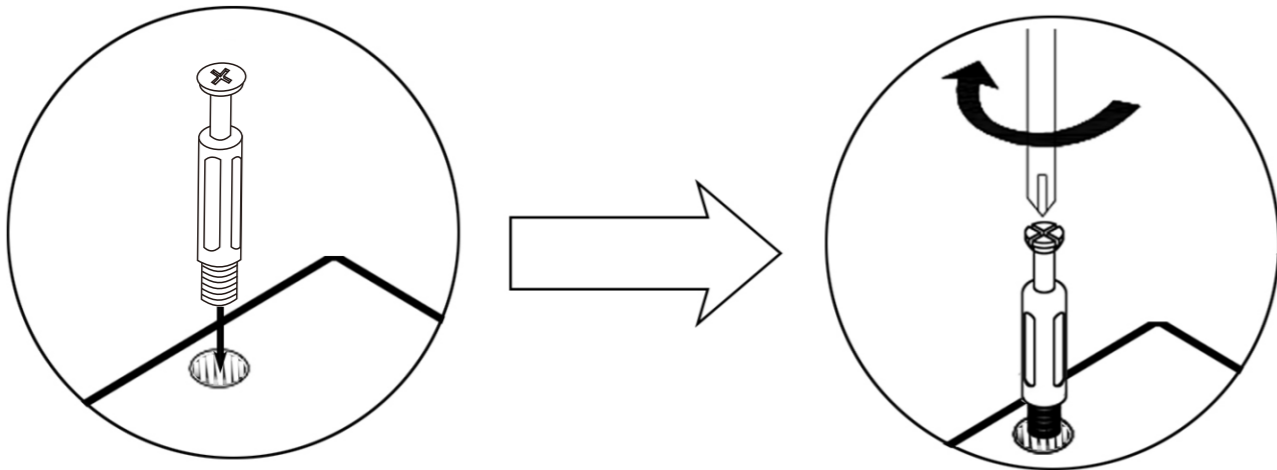
<p>1</p>  <p>x1</p>	<p>2</p>  <p>x1</p>	<p>3</p>  <p>x1</p>
<p>4</p>  <p>x1</p>	<p>5</p>  <p>x1</p>	<p>6</p>  <p>x1</p>
<p>7</p>  <p>x1</p>	<p>8</p>  <p>x4</p>	<p>9</p>  <p>x1</p>

<p>10</p>  <p>x1</p>	<p>11</p>  <p>x1</p>	<p>12</p>  <p>x3</p>
<p>13</p>  <p>x3</p>	<p>14</p>  <p>x3</p>	<p>15</p>  <p>x3</p>
<p>16</p>  <p>x3</p>	<p>17</p>  <p>x2</p>	



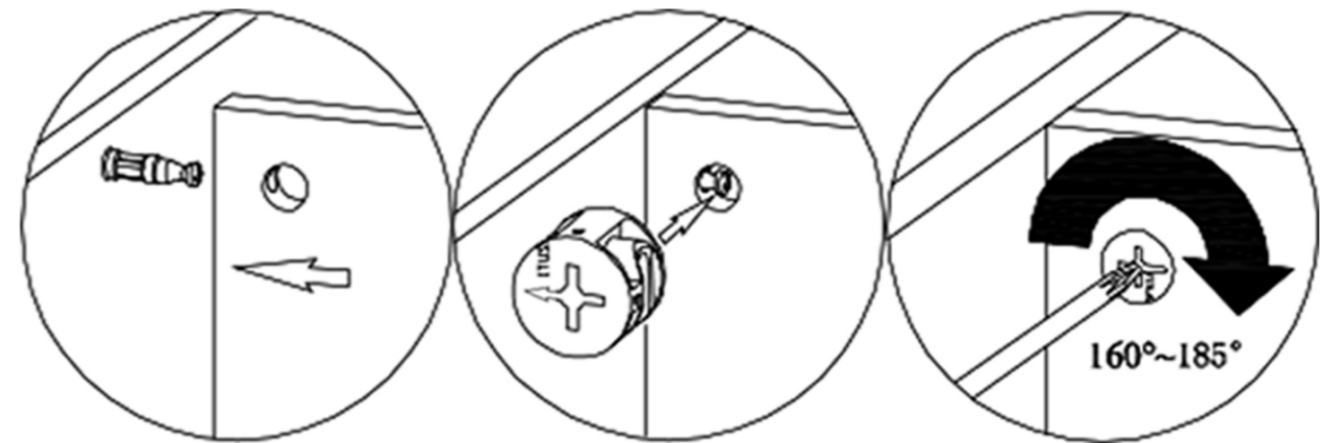
Hardware installation demonstration

- Please make sure G.I hardware tightened and can't be pulled out



Hardware installation demonstration

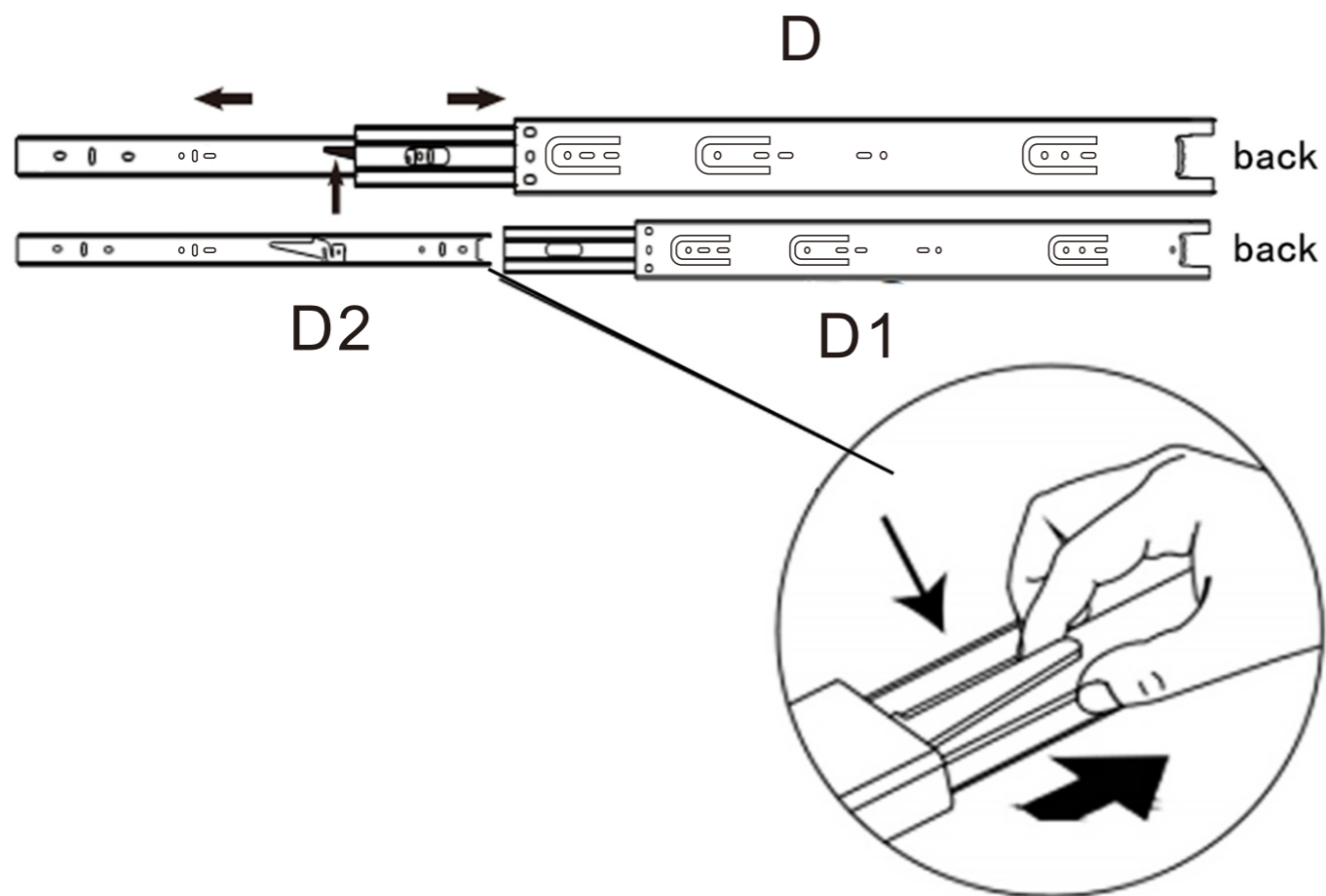
- When inserting cam ensure arrowhead on cam points toward to the hole on the panel edge





Hardware installation demonstration

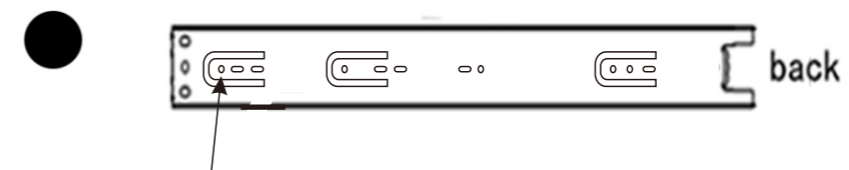
- Before installing the drawer rail, you need to separate the D1 and D2 first.



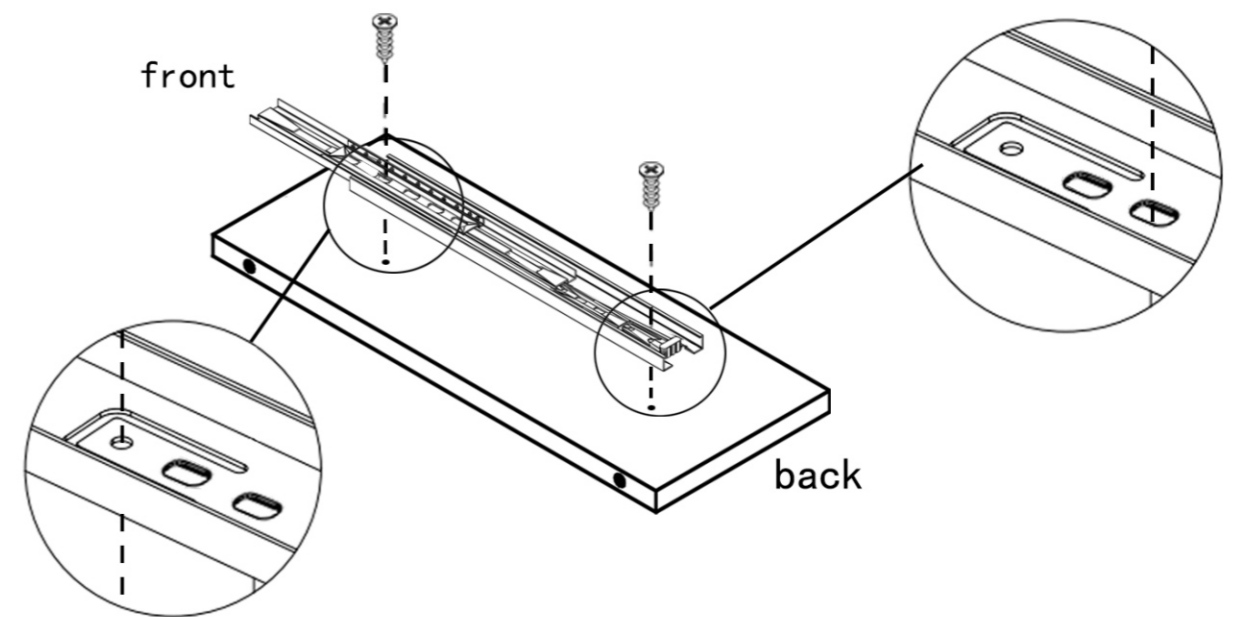
Warm Reminder: Press it and split



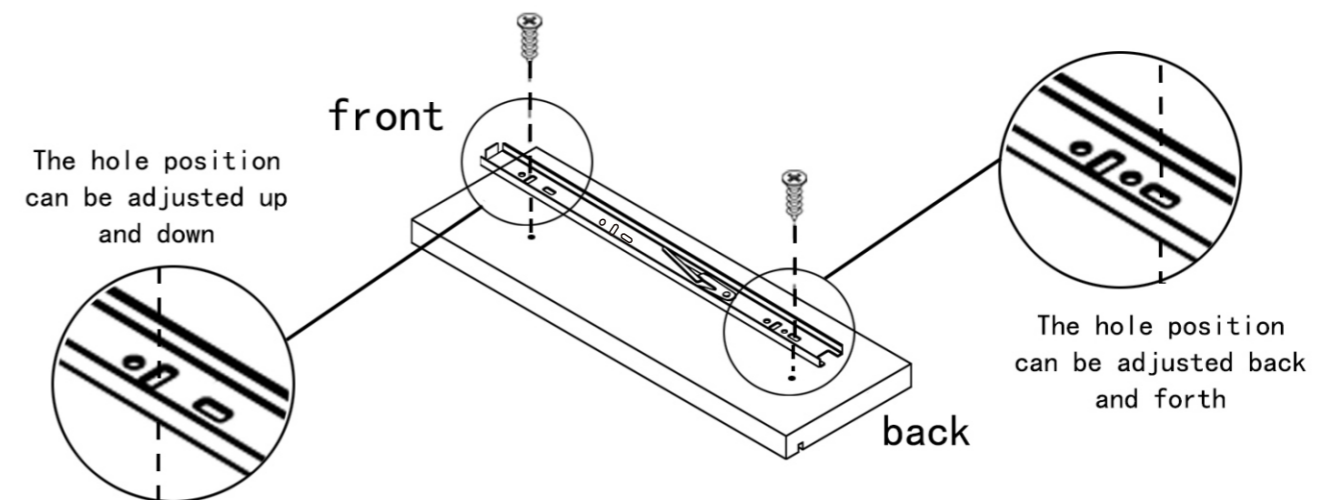
Hardware installation demonstration



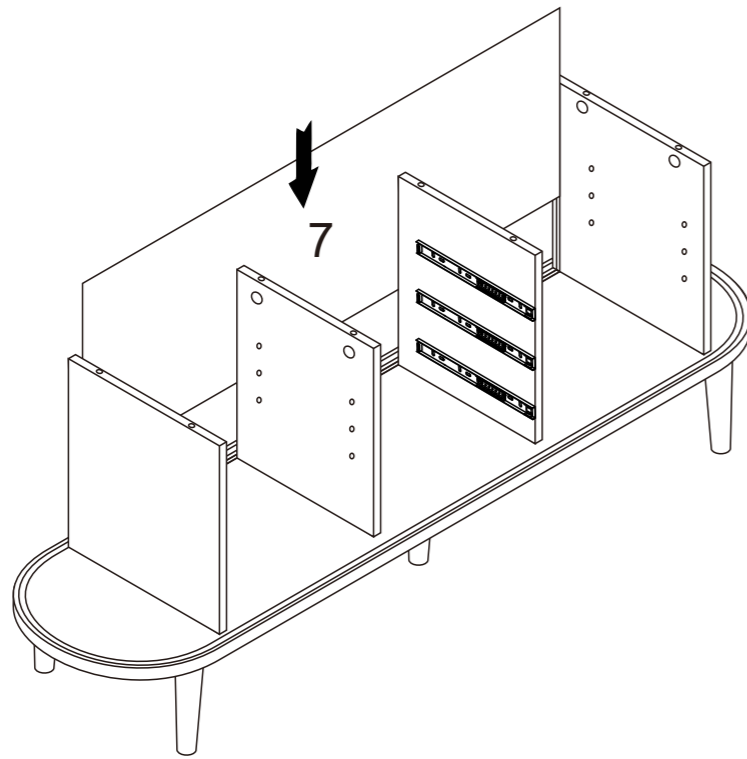
The first screw hole should corresponded with the board location hole



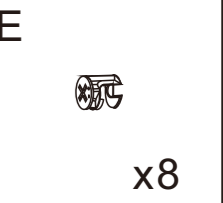
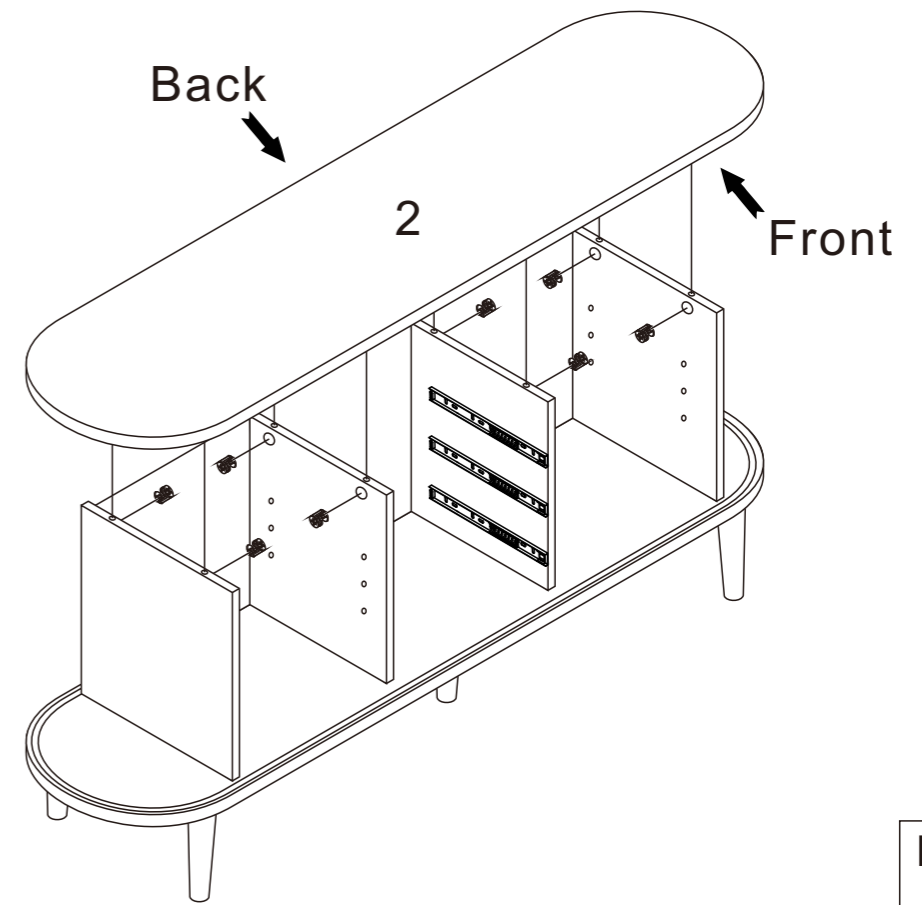
The first screw hole should corresponded with the board location hole



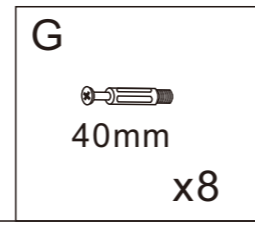
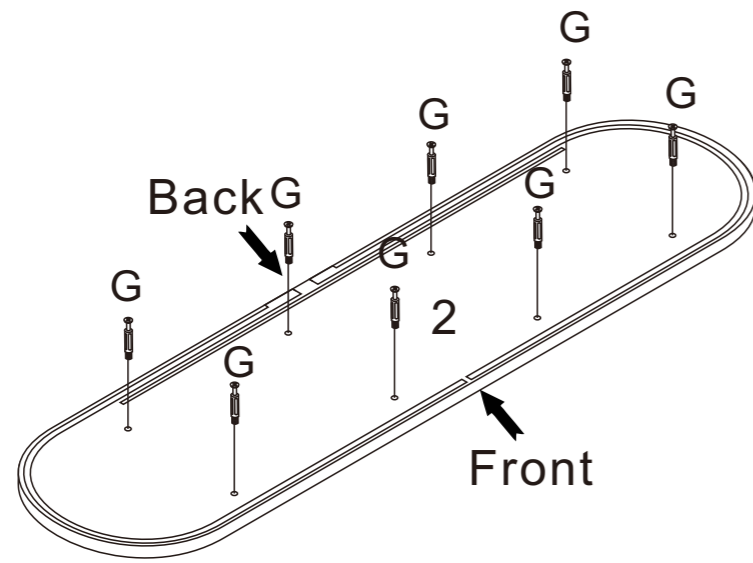
05



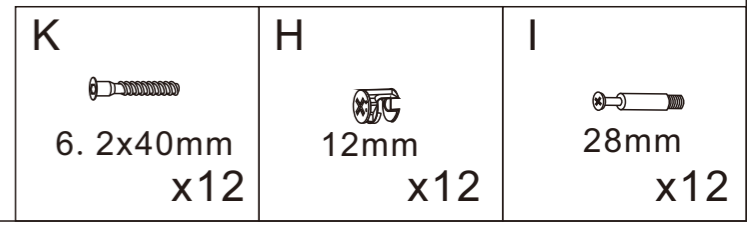
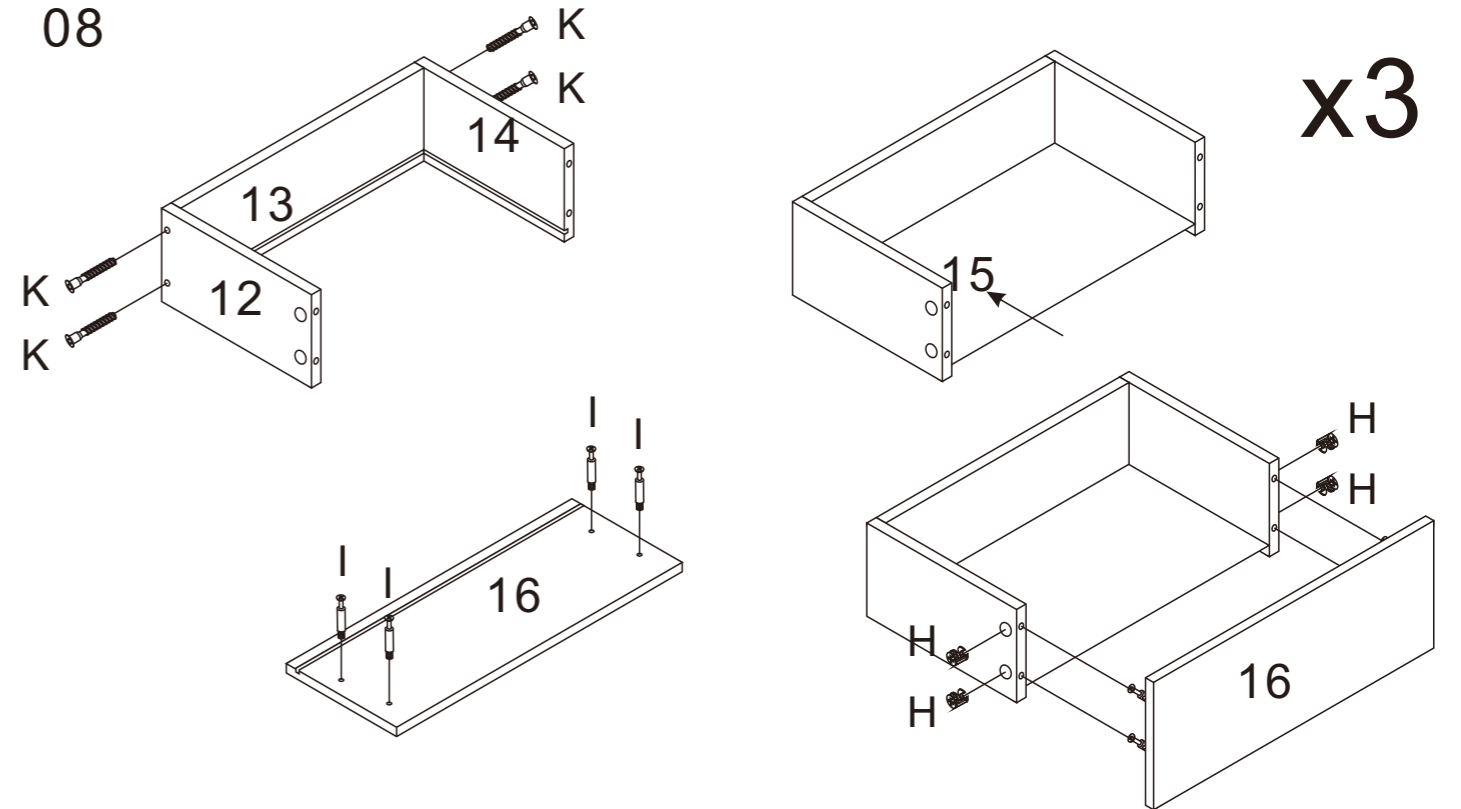
07



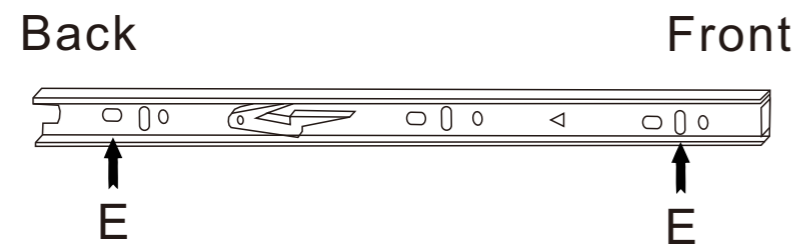
06



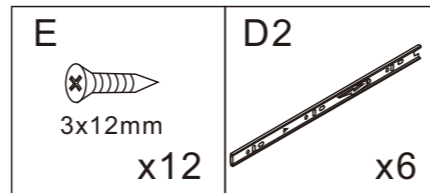
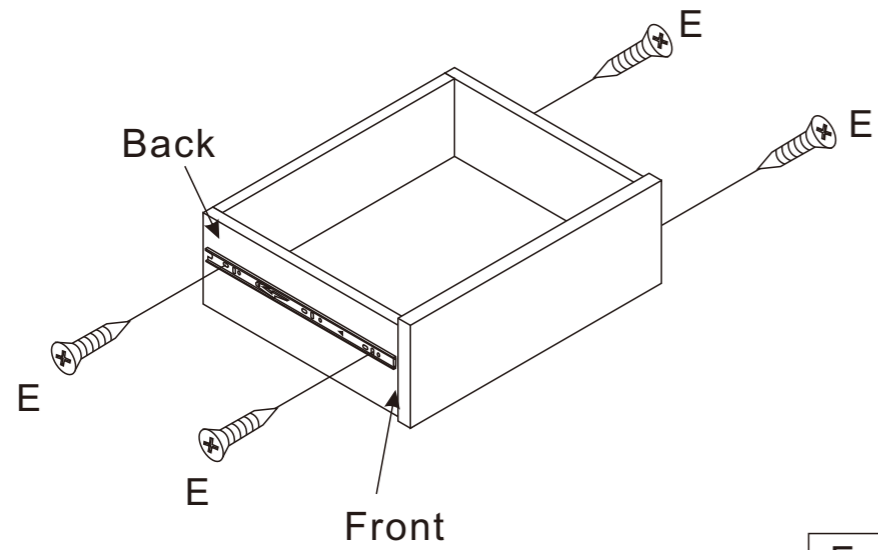
08



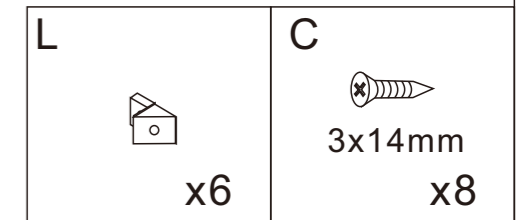
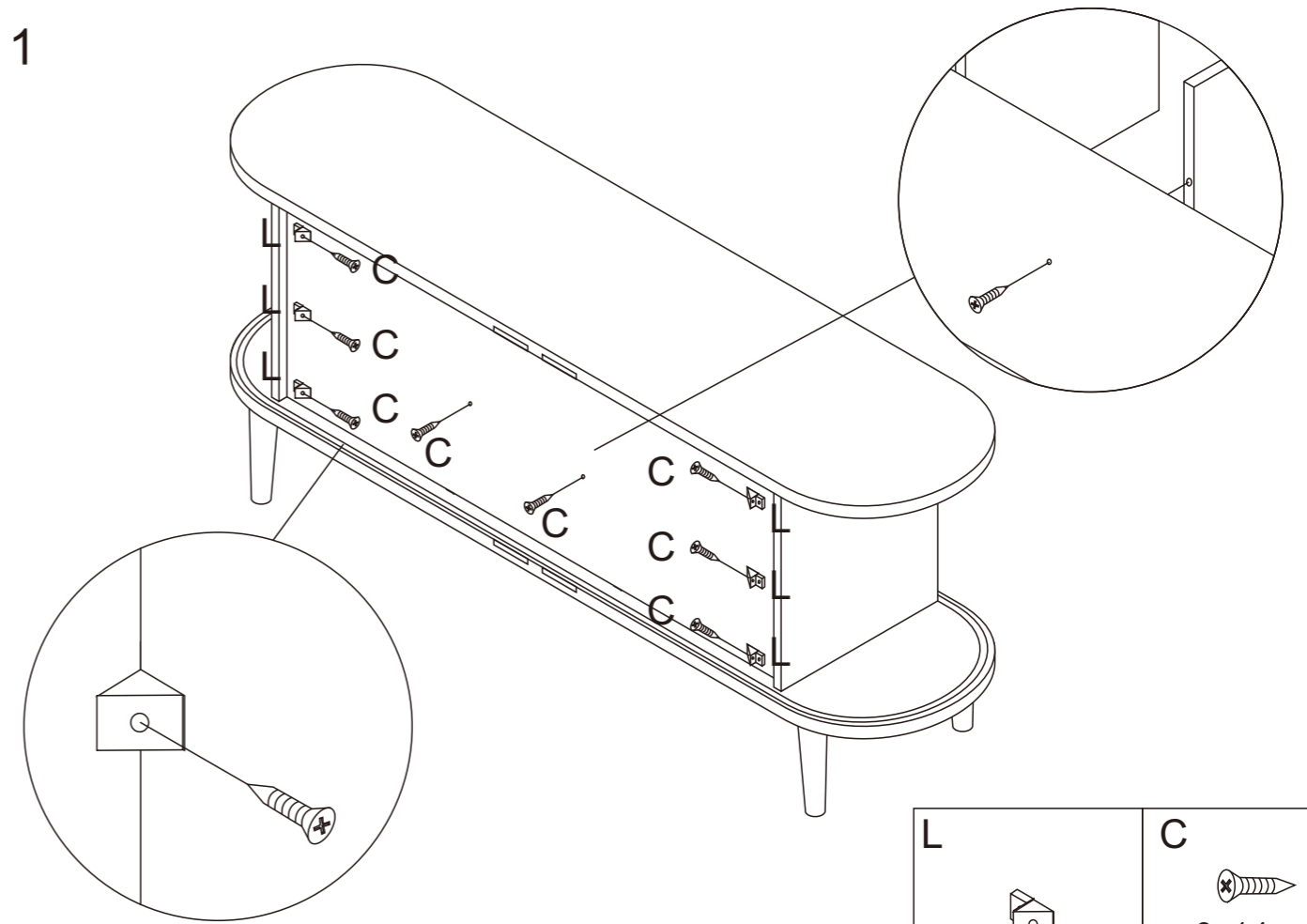
09



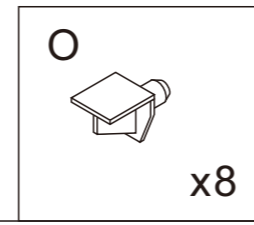
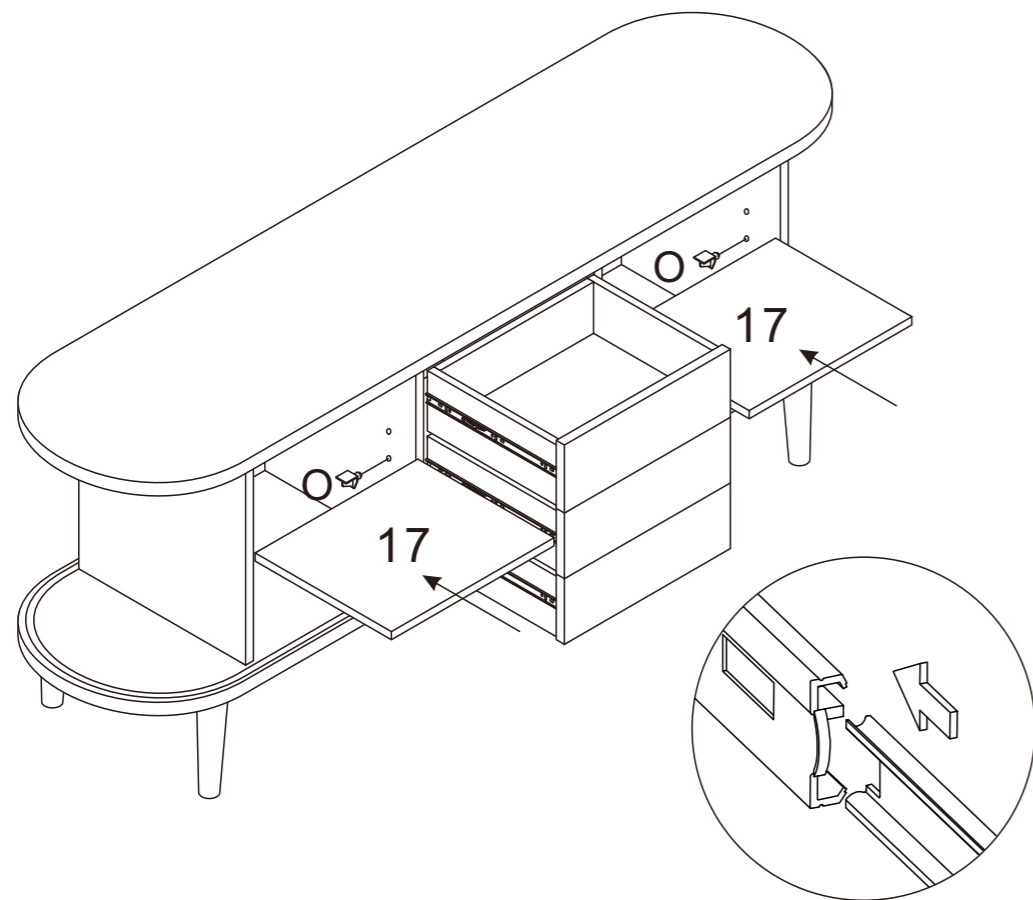
x3



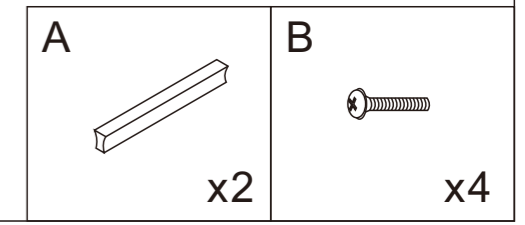
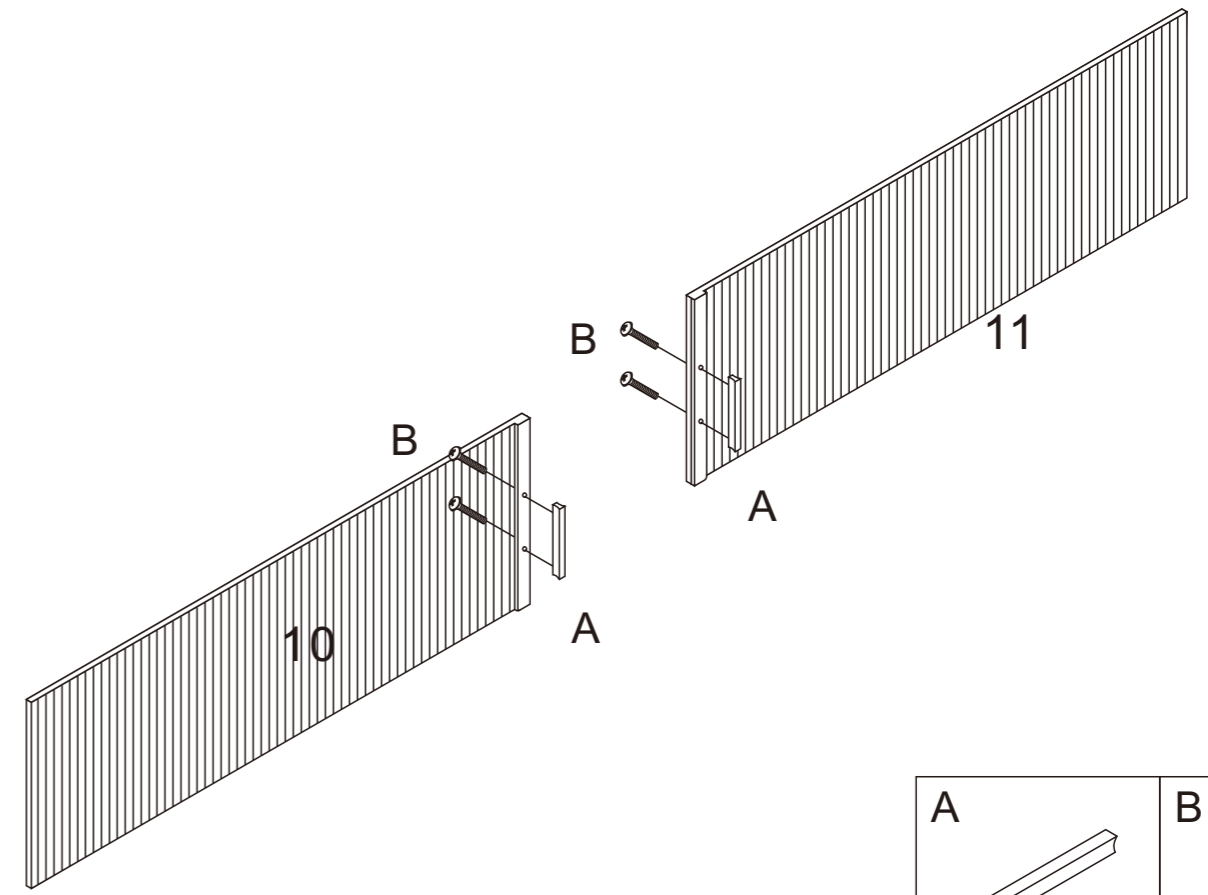
11



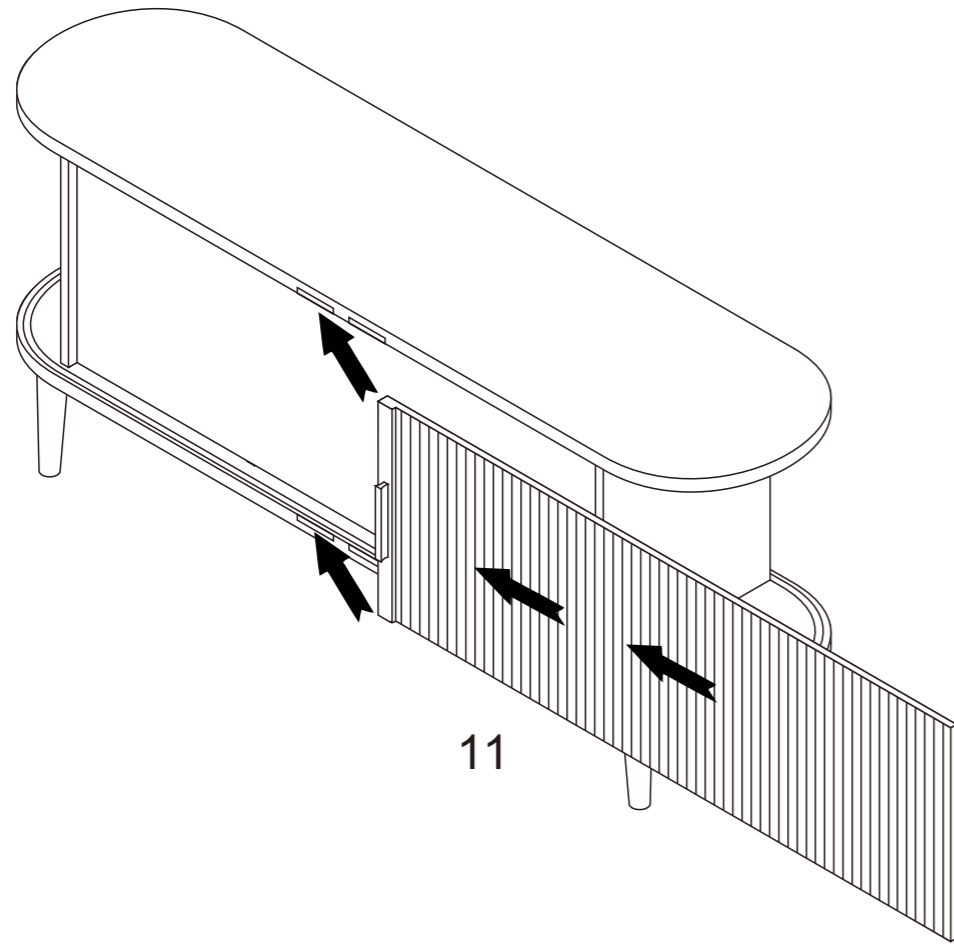
10



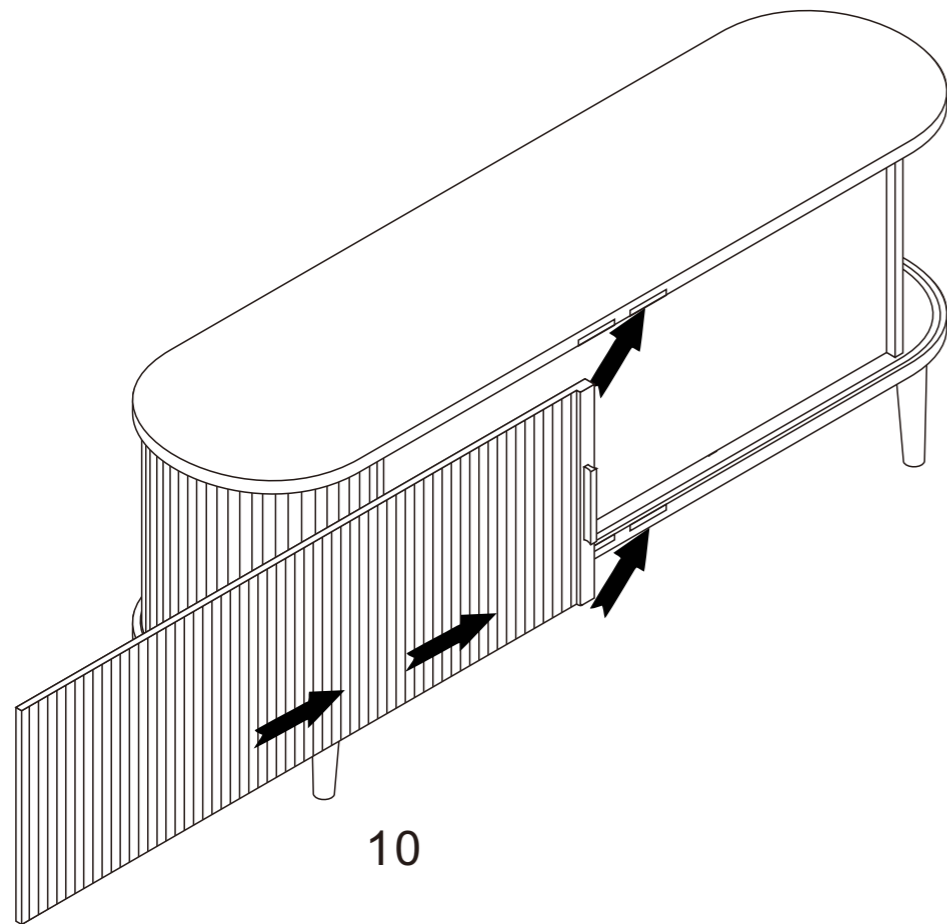
12



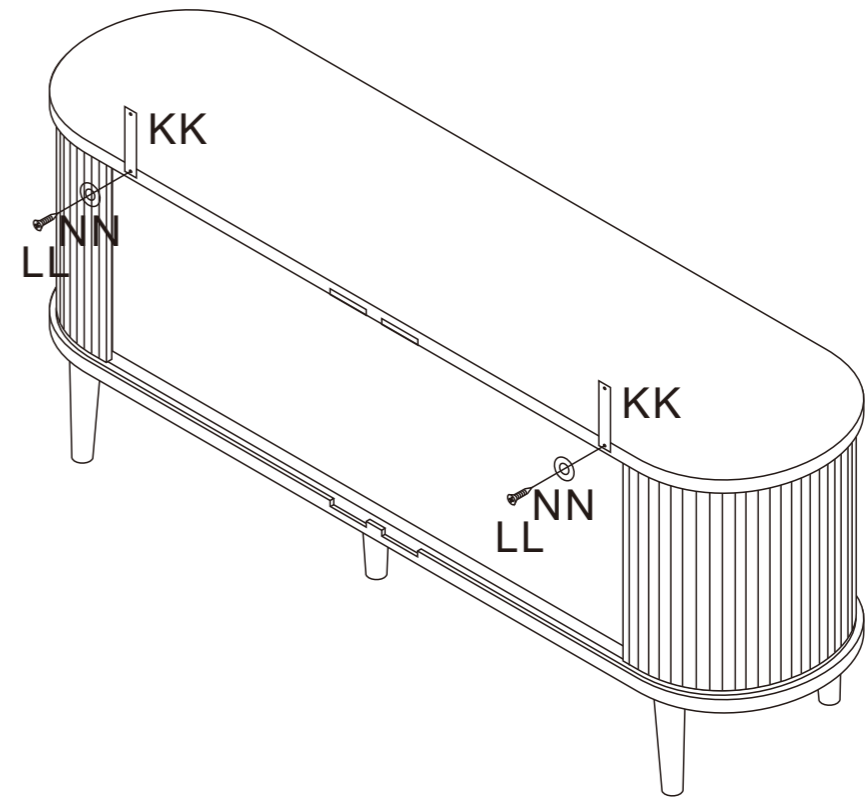
13






14

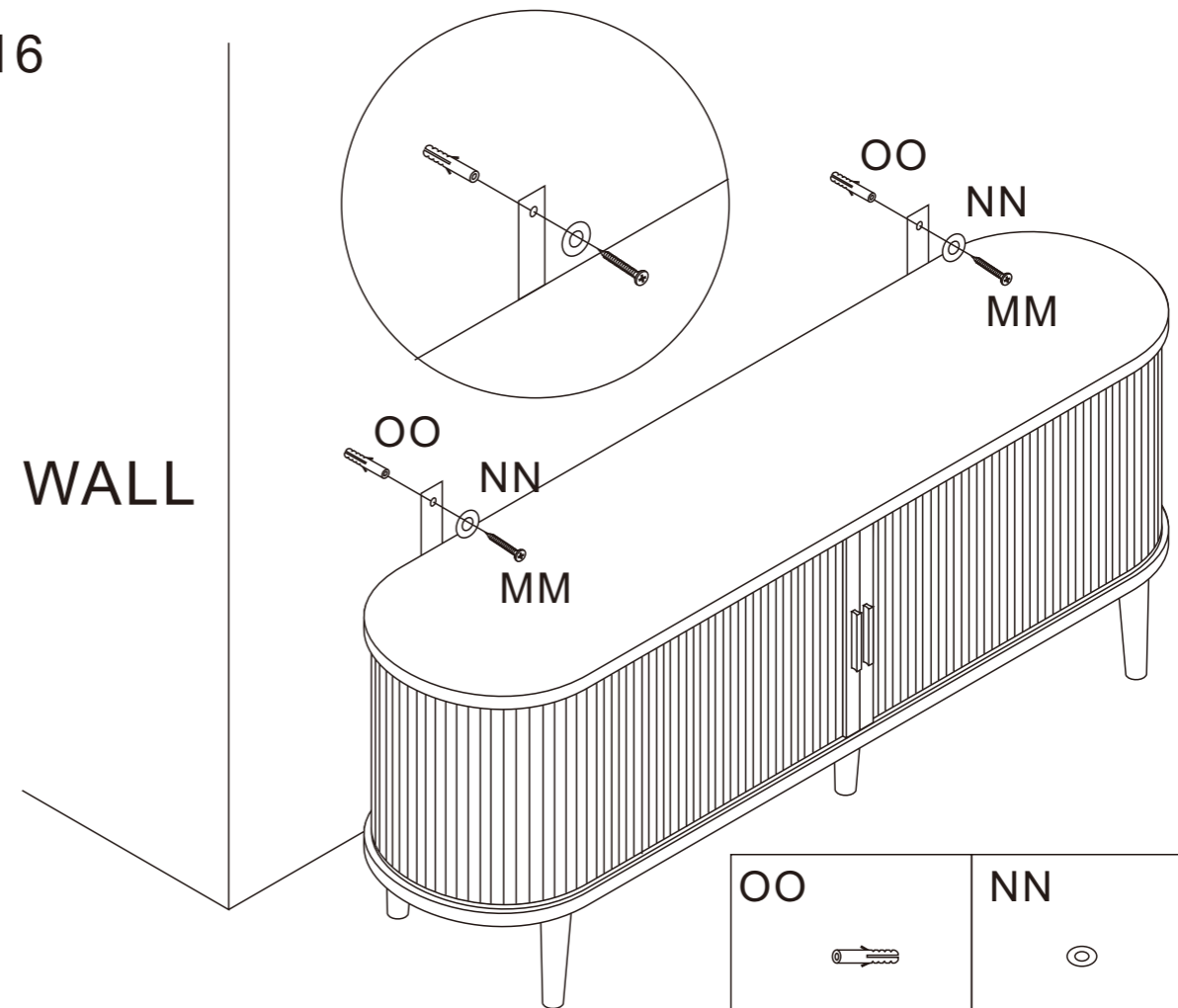





15



KK  x2	LL  x2	NN  x2
---	---	---

16



OO  x2	NN  x2	MM  x2
---	---	---