

# HEADBOARD

## ASSEMBLY INSTRUCTIONS

Before assembling your headboard, please read through these instructions carefully and familiarize yourself with the different parts.



### PARTS LIST

- 1 HEADBOARD PANEL 1 PC
- 2 LEFT LEG 1 PC
- 3 RIGHT LEG 1 PC
- 4 PILLOW STOP 1 PC

Instructions apply for bed sizes  
QUEEN > KING

### HARDWARE

- A Wooden dowel - 4 pcs  
Spare - 1 pc
- B JCB M6 X 40mm (1 1/2") - 6 pcs  
Spare - 1 pc
- C JCB M6 X 110mm (4 3/8") - 2 pcs  
Spare - 1 pc
- D Barrel Nut - 2 pcs
- E Allen wrench - 1 pc  
Spare - 1 pc

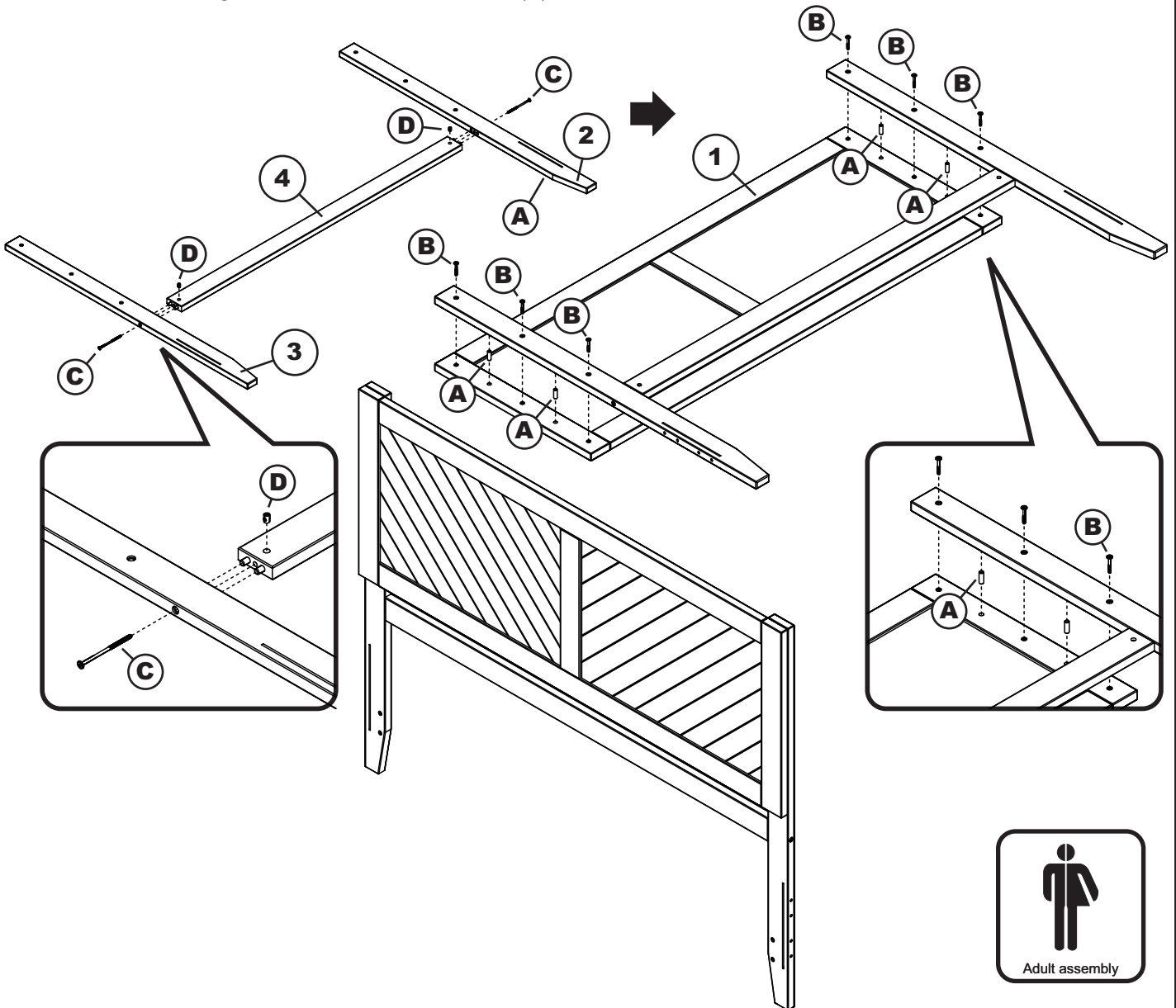
#### HARDWARE FOR METAL BED FRAME

- F JCB M6 X 25mm (1") - 4 pcs  
Spare - 1 pc
- G Flat washer - 4 pcs  
Spare - 1 pc
- H Split washer - 4 pcs  
Spare - 1 pc

NOTE: WE INCLUDE SPARE HARDWARE IN CASE DAMAGE OCCURS DURING ASSEMBLY.

### Step 1

Attach the legs (2) and (3) to pillow stop (4), using JCB (C) and barrel nut (D). Do not tighten at this step. Attach leg assembly to headboard panel (1), using wood dowels (A) and JCB (B). Tighten all with the Allen wrench (E).



If you purchased a wood headboard to attach to metal bed frame, please refer to page 2.

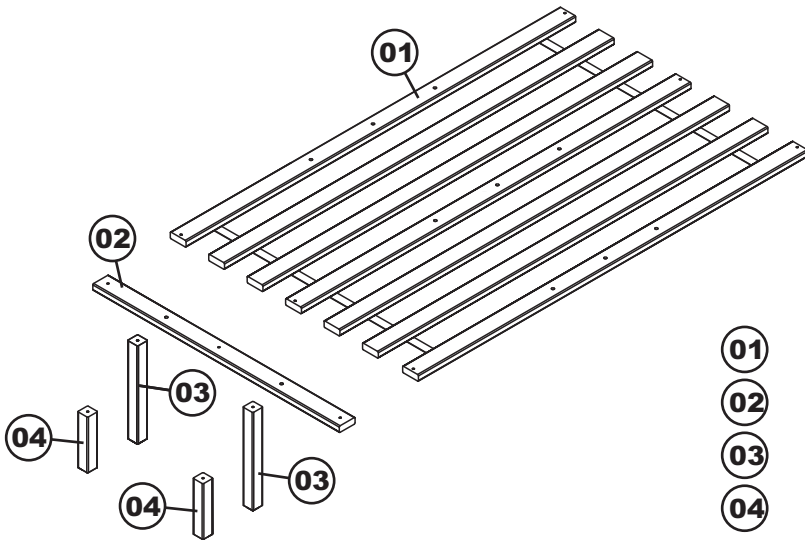
# SLAT KIT

## ASSEMBLY INSTRUCTION ( QUEEN )

Before assembling your bed slat kit, please read through these instructions carefully and familiarize yourself with the different parts. Please note that you will require a Phillips screwdriver and an Allen wrench.



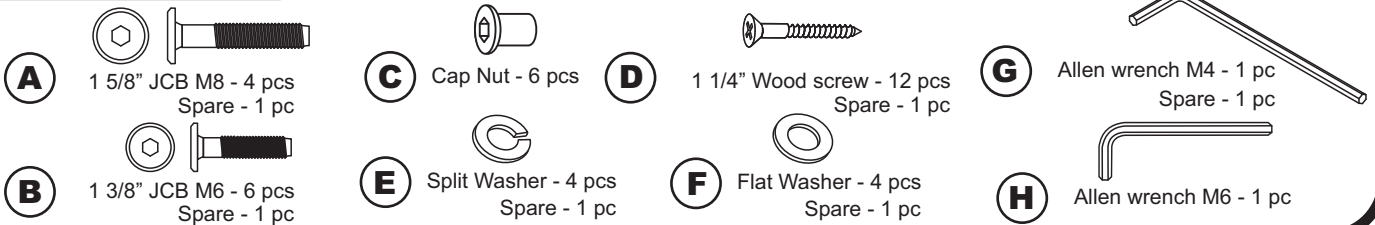
### PARTS LIST



<b>01</b>	<b>SLAT SECTION</b>	<b>2 SET</b>
<b>02</b>	<b>SUPPORT RAIL</b>	<b>2 PCS</b>
<b>03</b>	<b>TALL SUPPORT LEG</b>	<b>4 PCS</b>
<b>04</b>	<b>SHORT SUPPORT LEG</b>	<b>4 PCS</b>

### HARDWARE

NOTE: WE INCLUDE SPARE HARDWARE IN CASE DAMAGE OCCURS DURING ASSEMBLY.

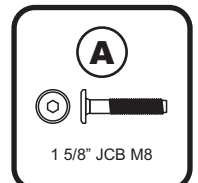
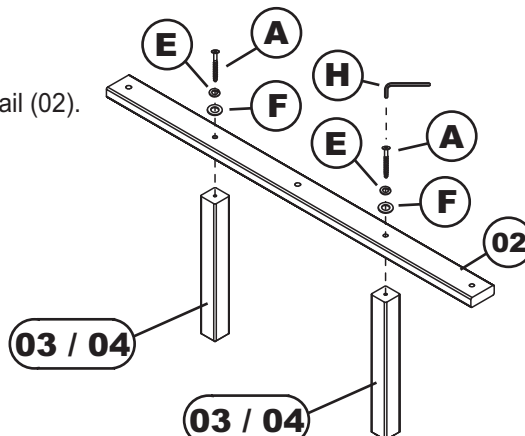
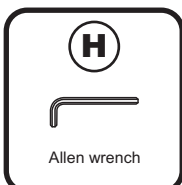


### Step 1

Assemble bed frame according to assembly instructions.  
If using mattress and foundation set the bed up low and use short support leg.  
If using Storage Drawers or Trundle Bed choose the tall support leg.

### Step 2

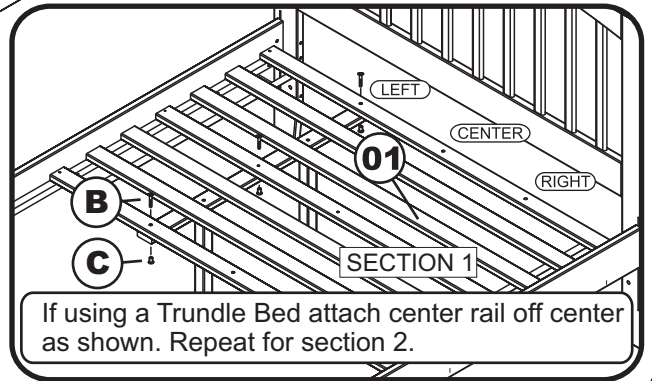
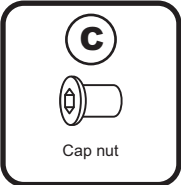
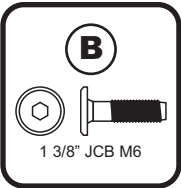
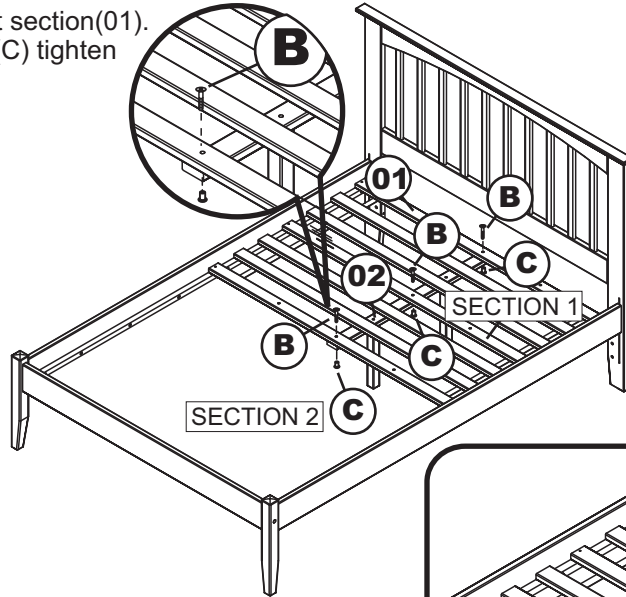
Assemble support leg (03 / 04) and support rail (02).  
Using JCB(A) split and flat washer (E)(F).  
Tighten with the Allen wrench M6 (H).  
Repeat for other support rail.



( QUEEN )

### Step 3

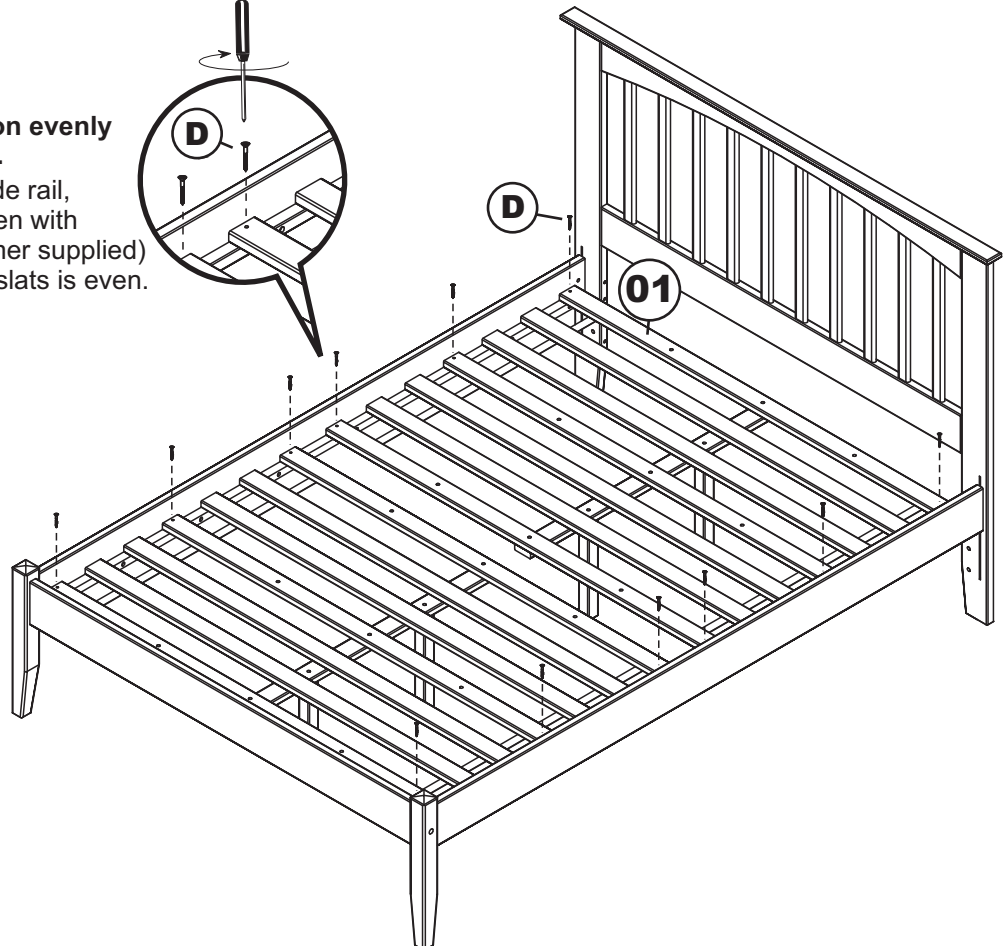
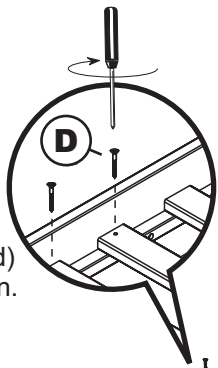
Lay the slat section (01) onto the bed.  
Attach support rail(02)to slat section(01).  
Using JCB (B) and cap nut (C) tighten  
with the Allen wrench (G).  
Repeat for section 2.



### Step 4

**Be sure to align slat section evenly  
with both ends of side rail.**

Screw slat section (01) to side rail,  
using wood screw (D). Tighten with  
Phillips screwdriver. (Customer supplied)  
Be sure the space between slats is even.

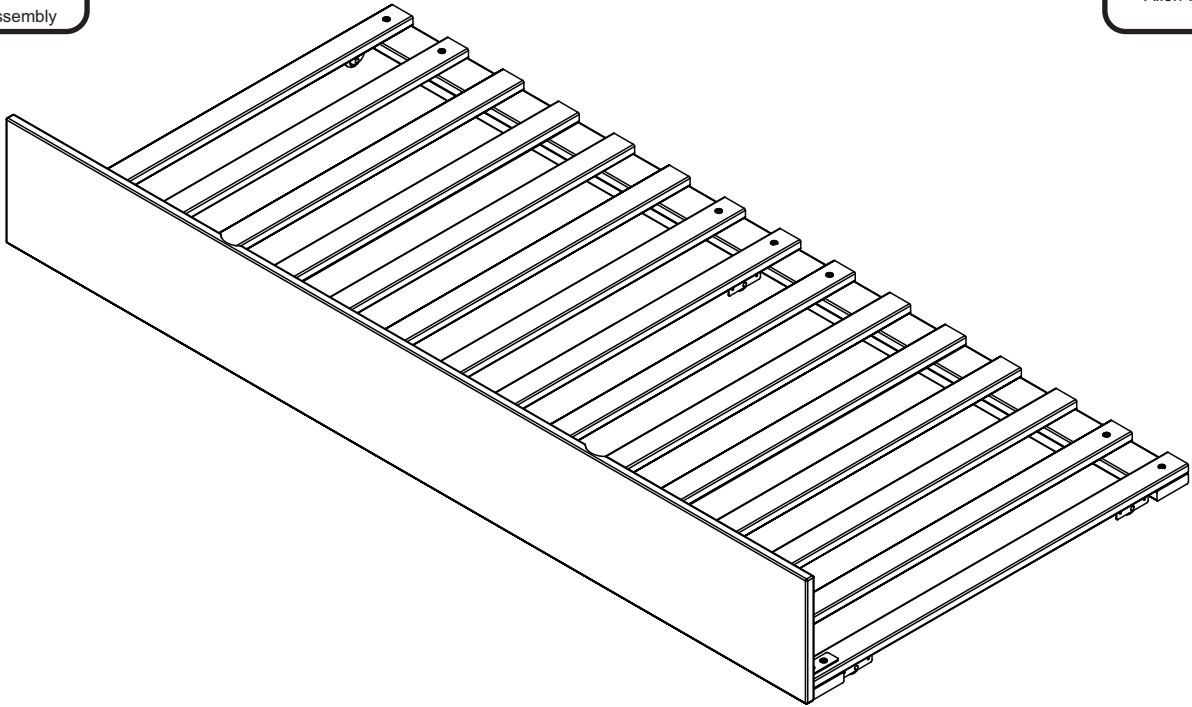
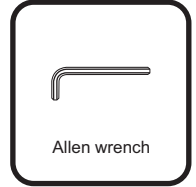


# TRUNDLE BED

affurnishings.com

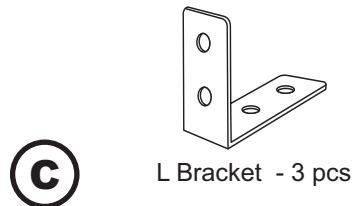
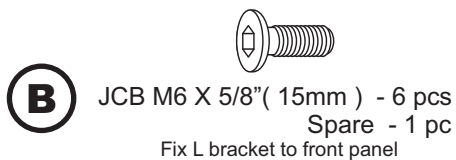
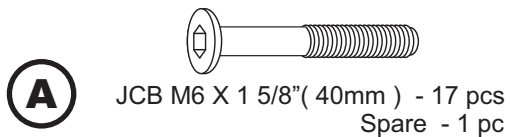
## ASSEMBLY INSTRUCTIONS TWIN XL

Before assembling your Trundle bed, please read through these instructions carefully. Familiarize yourself with the different parts.



## HARDWARE

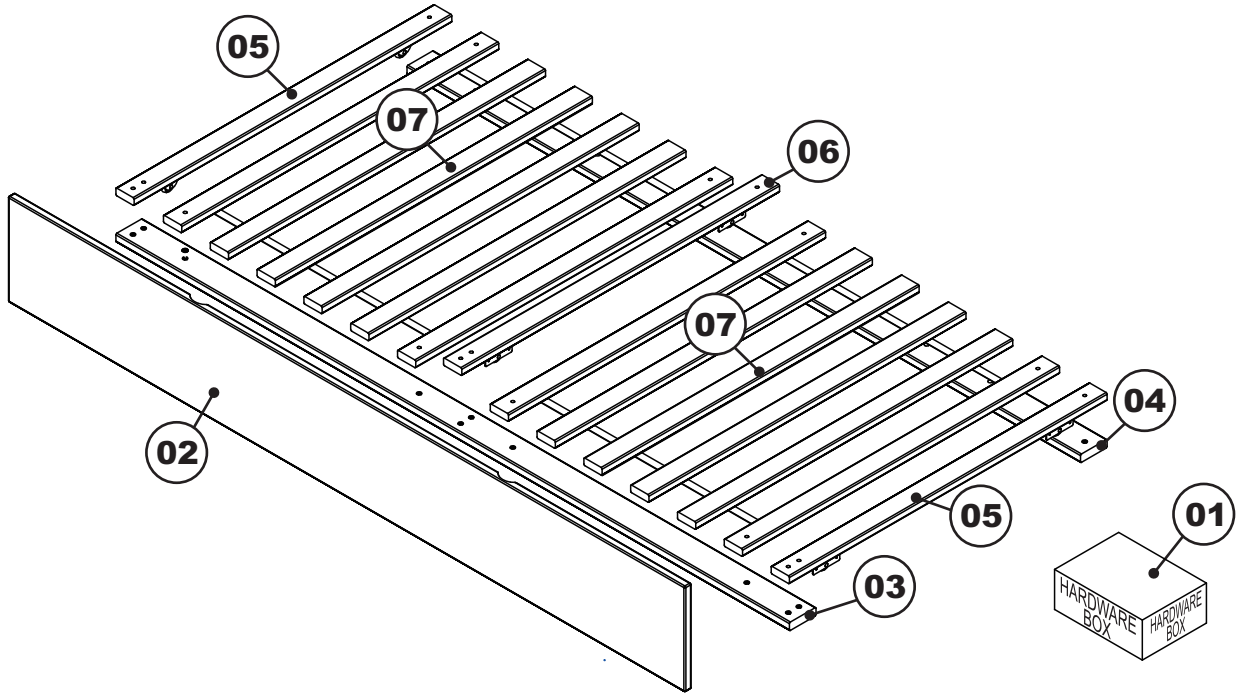
NOTE: WE INCLUDE SPARE HARDWARE IN CASE DAMAGE OCCURS DURING ASSEMBLY.



TWIN XL

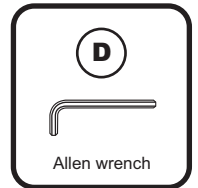
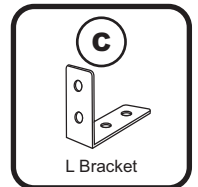
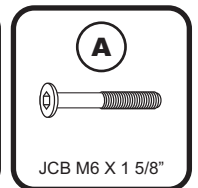
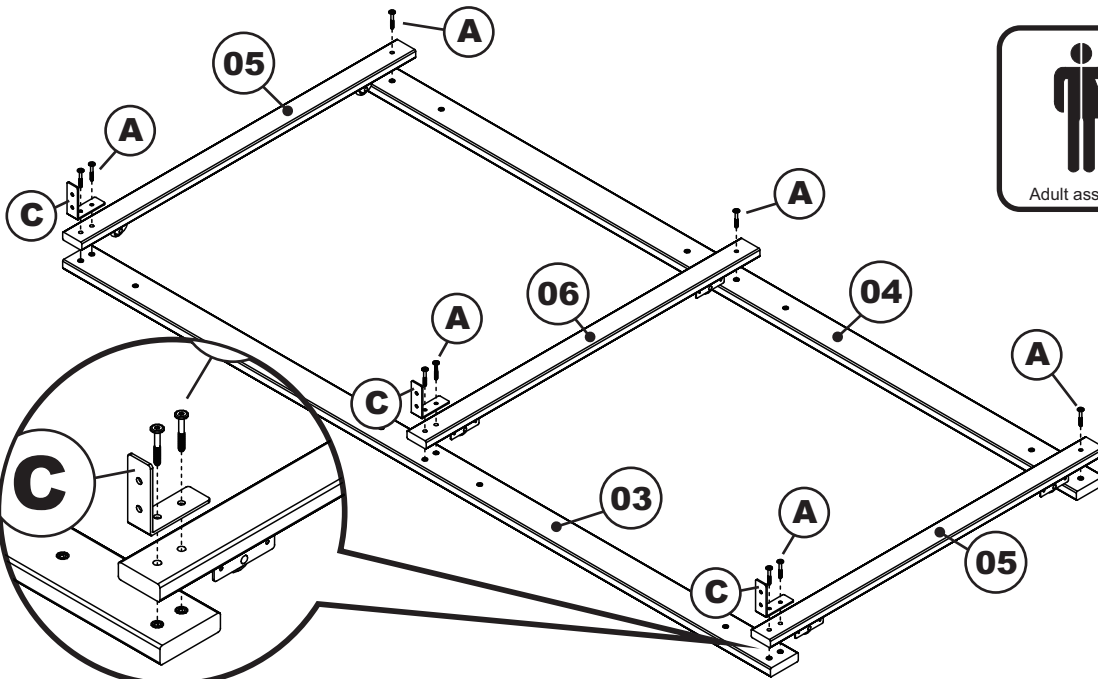
PARTS LIST

<b>01</b>	<b>HARDWARE</b>	<b>1 BOX</b>	<b>05</b>	<b>SIDE CROSS RAIL</b>	<b>2 PCS</b>
<b>02</b>	<b>FRONT PANEL</b>	<b>1 PC</b>	<b>06</b>	<b>CENTER CROSS RAIL</b>	<b>1 PC</b>
<b>03</b>	<b>FRONT RAIL</b>	<b>1 PC</b>	<b>07</b>	<b>SLAT KIT</b>	<b>2 SET</b>
<b>04</b>	<b>BACK RAIL</b>	<b>1 PC</b>			



**Step 1**

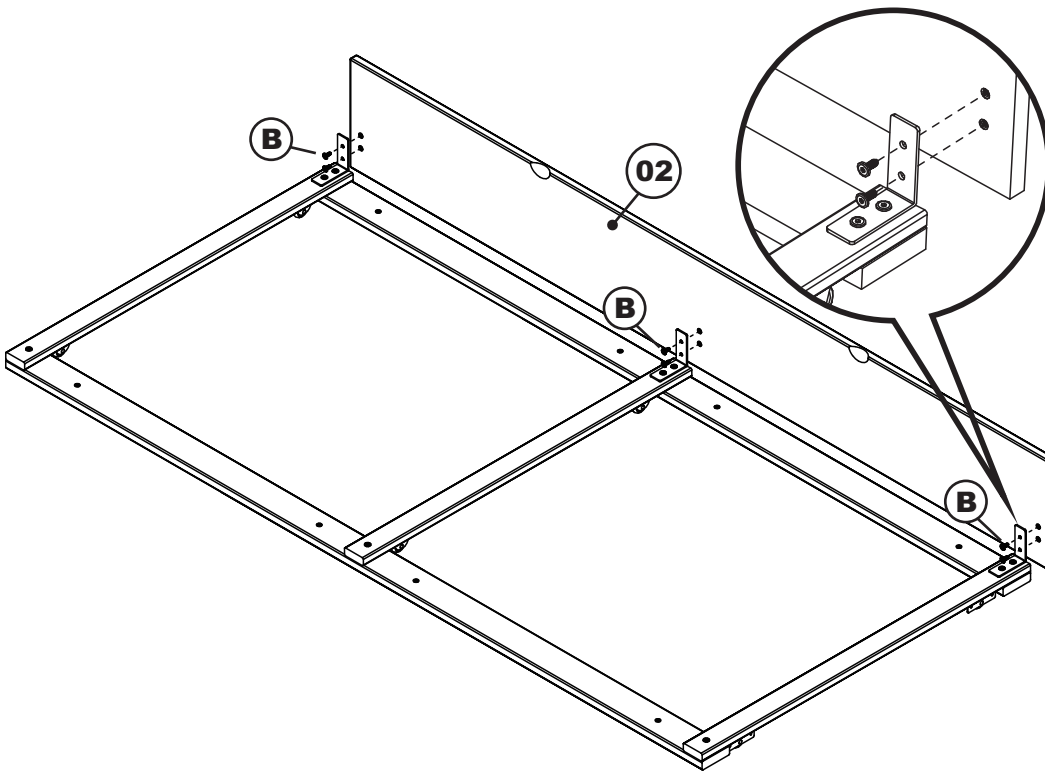
Attach the side cross rails (05) and center cross rail (06) to the front and back rail (03)(04), using L bracket (C), JCB M6 X 1 5/8" (A). Tighten with the Allen wrench (D).



## TWIN XL

### Step 2

Attach the front panel (02) to the front rail as shown, using JCB M6 X 5/8" (B). Tighten with the Allen wrench (D).



Adult assembly

B



JCB M6 X 5/8"

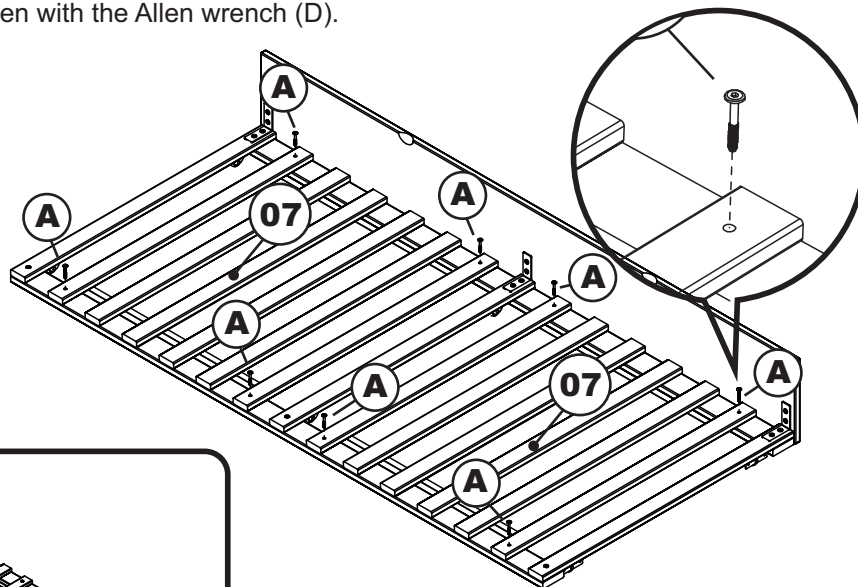
D



Allen wrench

### Step 3

Lay the slat kit (07) onto the rail assembly as shown, using JCB M6 X 1 5/8" (A). Tighten with the Allen wrench (D).



Adult assembly

A

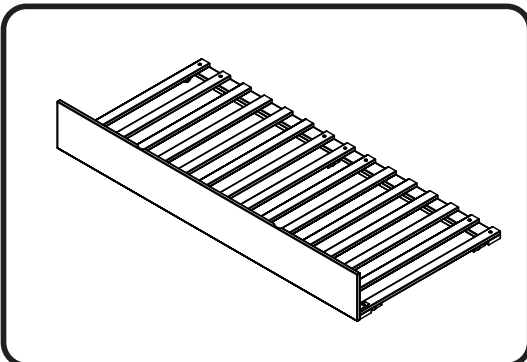


JCB M6 X 1 5/8"

D



Allen wrench



### Congratulations!

Your Trundle bed is now ready for use.

We recommend that you periodically check that all screws are tight and all parts are secure to ensure lasting safety.