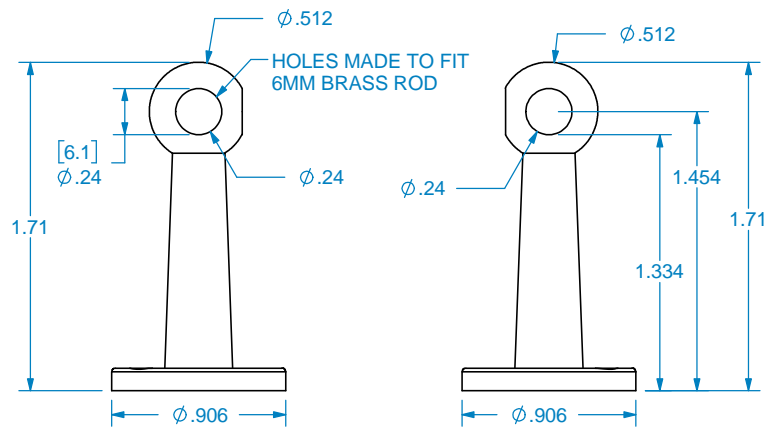
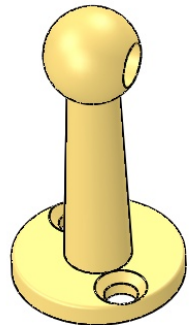
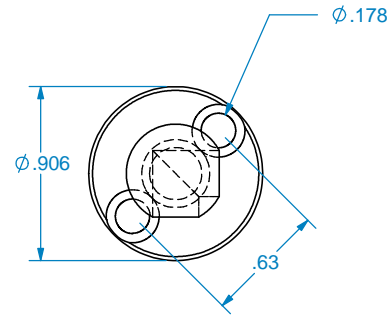


2X ϕ .178 THRU ALL
 ϕ .276 X 90°



Designs of
distinction
 by Brown Wood, Inc.
 est. 1998

| REVISION HISTORY | | |
|------------------|----------|-------------|
| REV | REV DATE | DESCRIPTION |
| | | |
| | | |
| | | |
| | | |

| TOLERANCES | |
|-------------------------------------|---------------|
| WIDTH | \pm .03125" |
| THICKNESS | \pm .03125" |
| LENGTH | \pm .0625" |
| ANGULAR | \pm x.x° |
| PROFILE | \pm x.xxx" |
| Use General Tolerances Unless Noted | |

| MATERIALS AND FINISHES | |
|---|--|
| PLEASE VISIT OUR WEBSITE FOR A COMPLETE LIST. www.brownwoodinc.com 1-800-328-5858 | |
| NOTES: | |
| Do not scale. Use dimensions only. All dimensions are in inches unless noted | |

| | |
|---------------------------------------|------------|
| TITLE: GALLERY RAIL CORNER BRACKET | |
| NOMINAL SIZE .906" X .906" X 1.71" | |
| DWG #: 01HC9002-1 | REV: |
| DATE: 2/5/2024 | SCALE: 1:1 |