

WIRE CONNECTION DIAGRAM

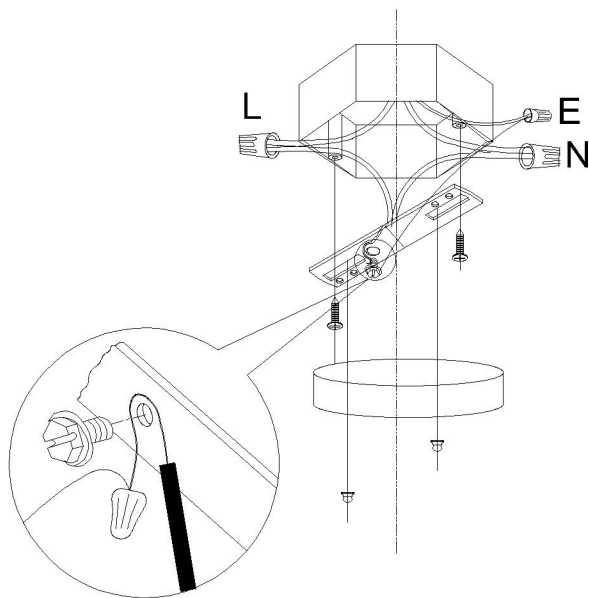
Wires met safety standards are recommended to connect the supply circuit.

CAUTION: Risk of fire

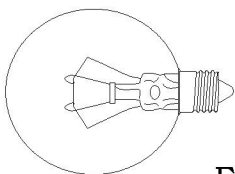


CANOPY INSTALLATION INSTRUCTIONS

Please read all instructions carefully. Before you proceed to install, make sure that the power supply is turned off and remains off until installation is complete.

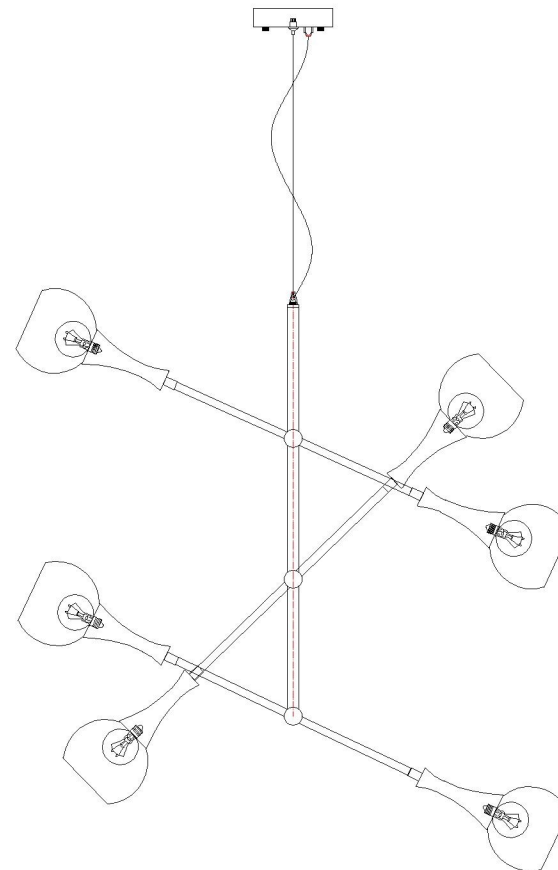


Light Bulb (Not included)



E12

USER MANUAL



(Rated 110-130V/60Hz, bulb 40W-60W maximum.)

Assembly and Installation Steps

Step1

1. Lock the crossbar to the junction box of the ceiling by using 2 pcs of 5/32 screws in the accessories bag.
2. Connect the wires. The hot/positive(+) wire is the one which has writing on it. The negative(-) wire is the one which has no writing.
3. Cover the ceiling canopy and attach the screws to the canopy.

Step2

Hang the lamp to the ceiling by attaching the screws to the nuts

Step3

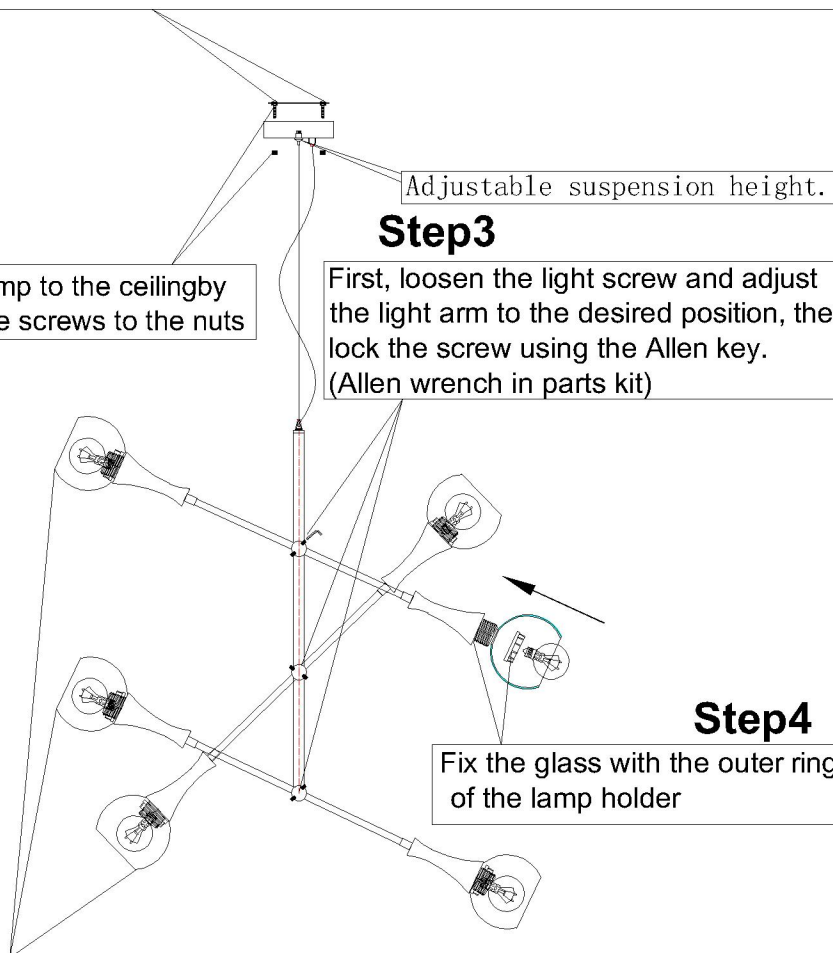
First, loosen the light screw and adjust the light arm to the desired position, then lock the screw using the Allen key. (Allen wrench in parts kit)

Step4

Fix the glass with the outer ring of the lamp holder

Step5

Install 6 E12 bulbs (Not included).



Please note: The parts in this table are completely unassembled, for illustrative purpose. In the actual product that you receive, some parts are assembled and attached together.

