

artos[®]

FS307

lav faucet square

13305 B STREET OMAHA, NEBRASKA 68144

WWW.ARTOS.US.COM

INSTALLATION GUIDE

BRUSHED NICKEL (BN)



CHROME (CH)



BLACK (BK)



SATIN BRASS (SB)



OPERATING SPECIFICATIONS



OPERATING PRESSURE

Minimum: 15 psi

Maximum: 75 psi

Above 90psi it may be necessary to install a pressure reducer

OPERATING TEMPERATURE

Maximum: 176°

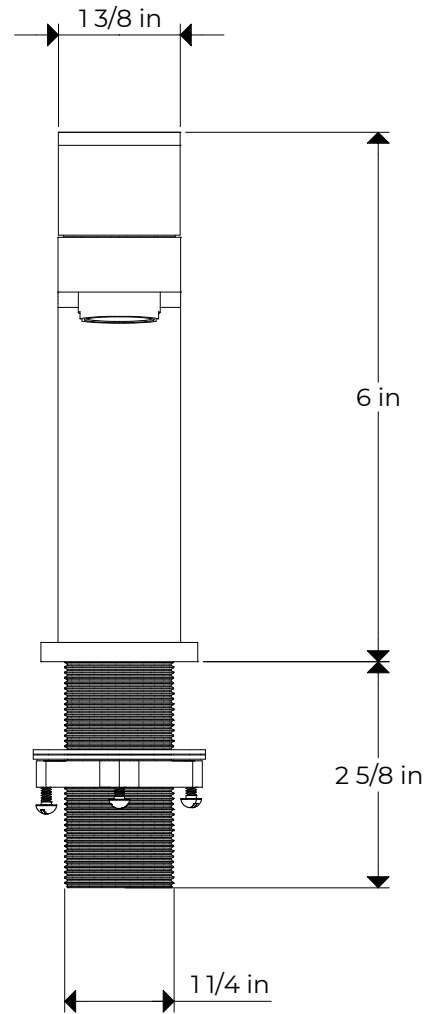
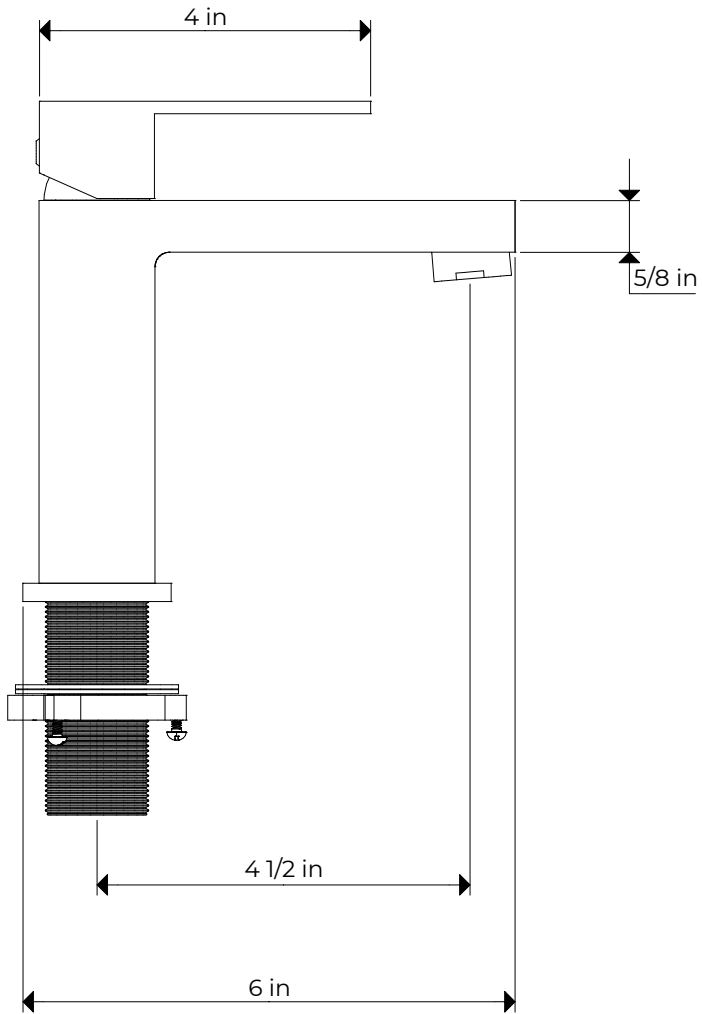
FLOW RATE

1.2 USGPM

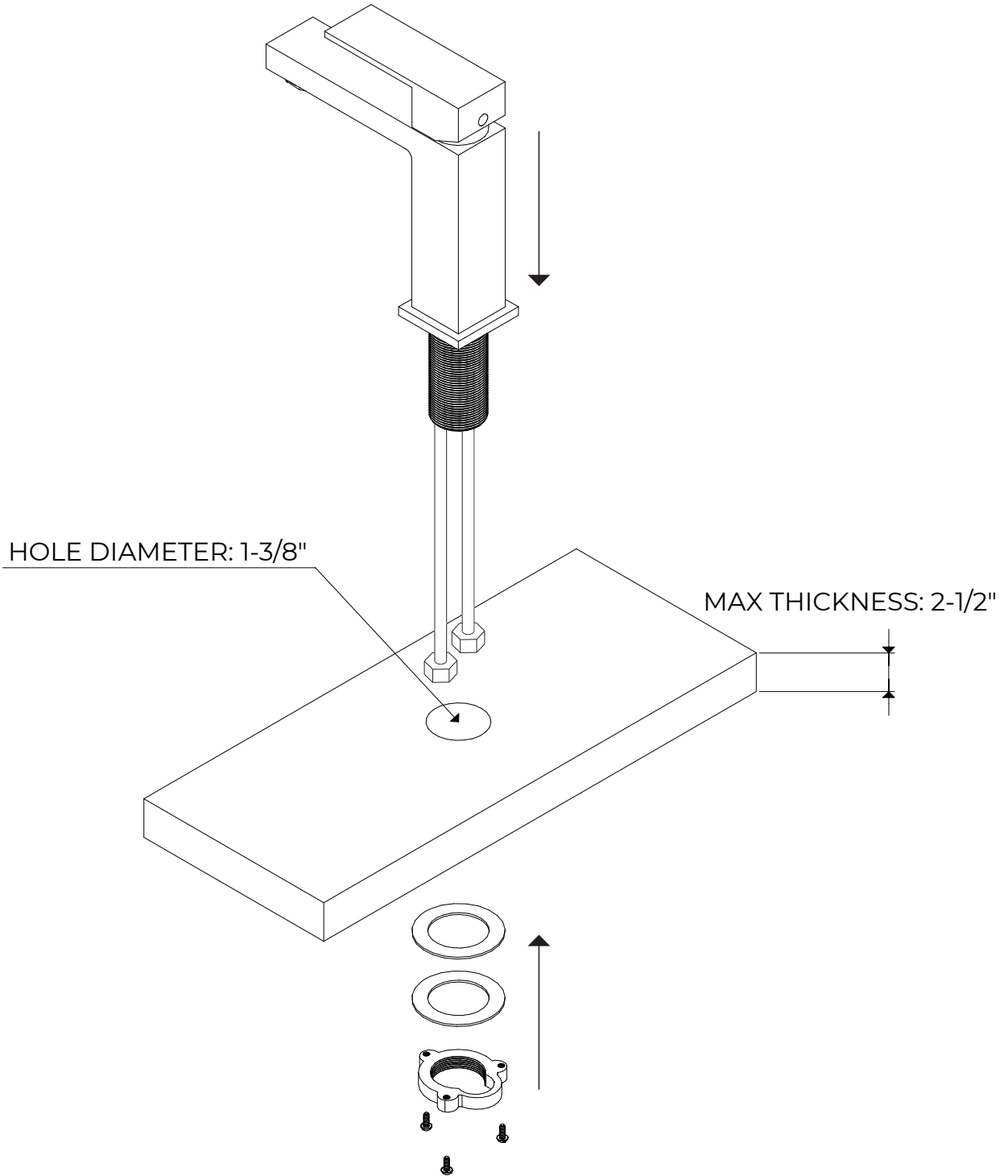
APPROVALS



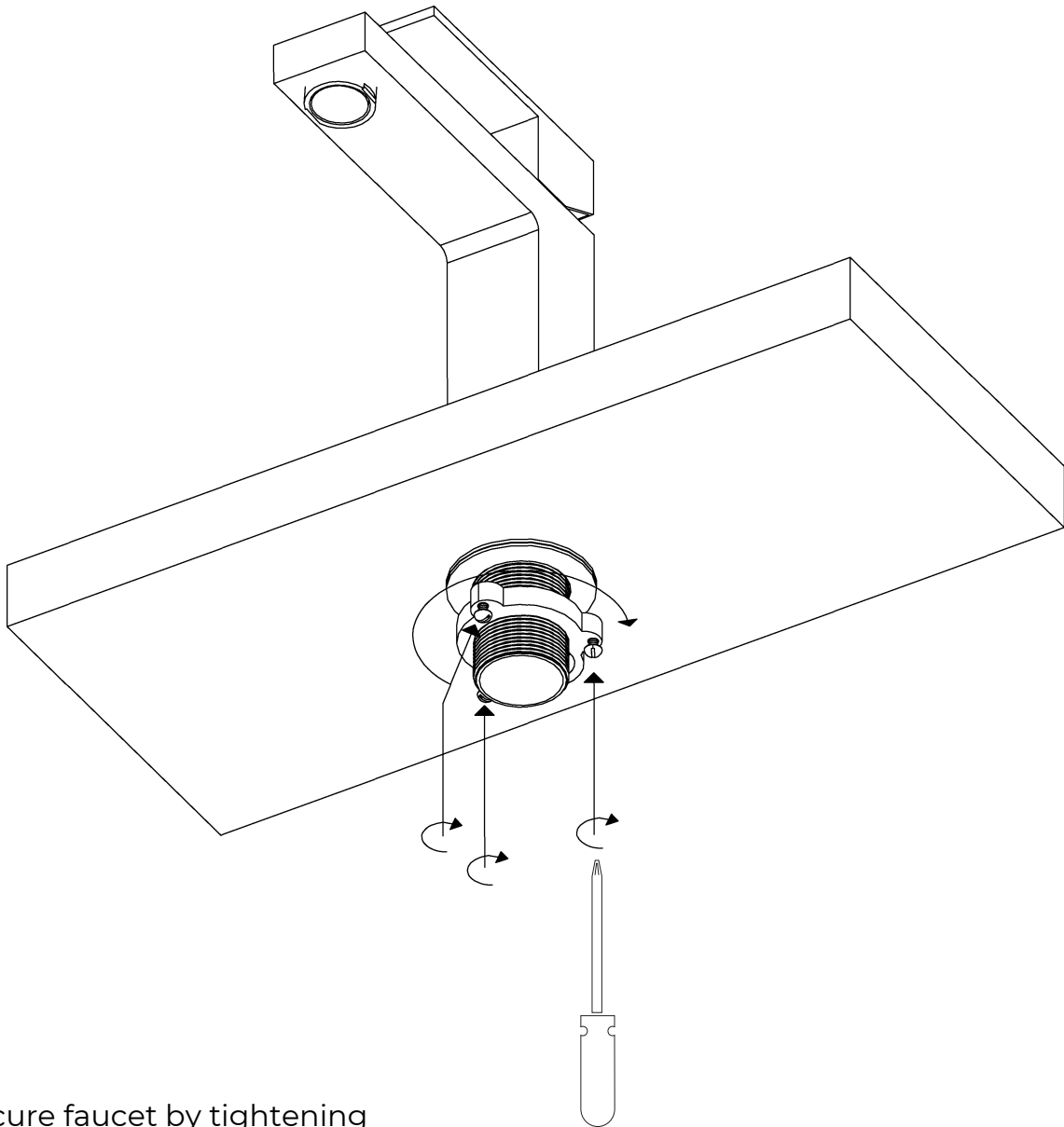
PRODUCT DIMENSIONS



STEP 1



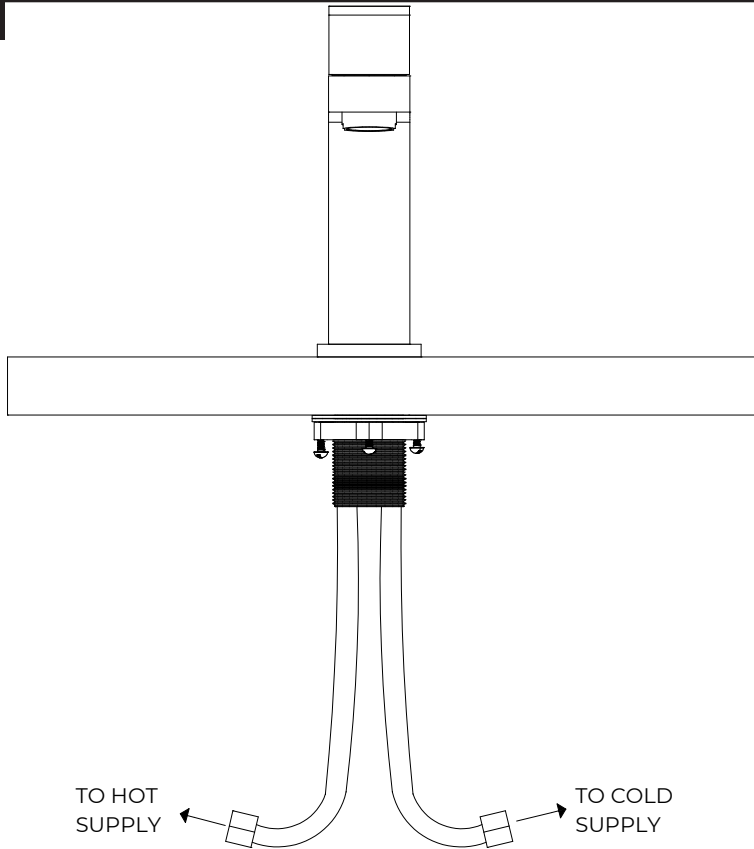
STEP 2



Secure faucet by tightening securing nut (hand tight), and tightening securing nut screws with screwdriver.

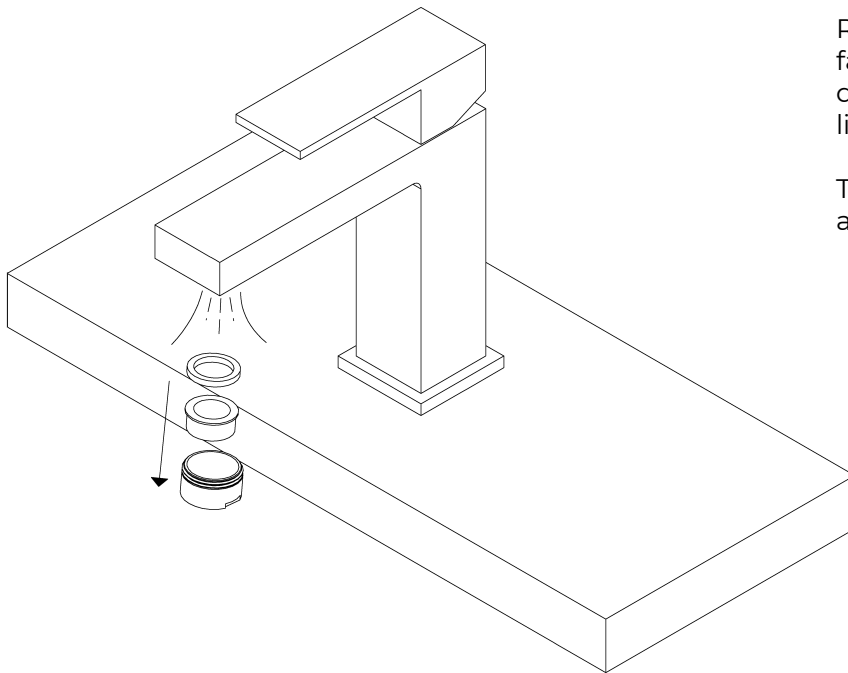
INSTALLATION STEPS

STEP 4



Connect hoses to supply lines.

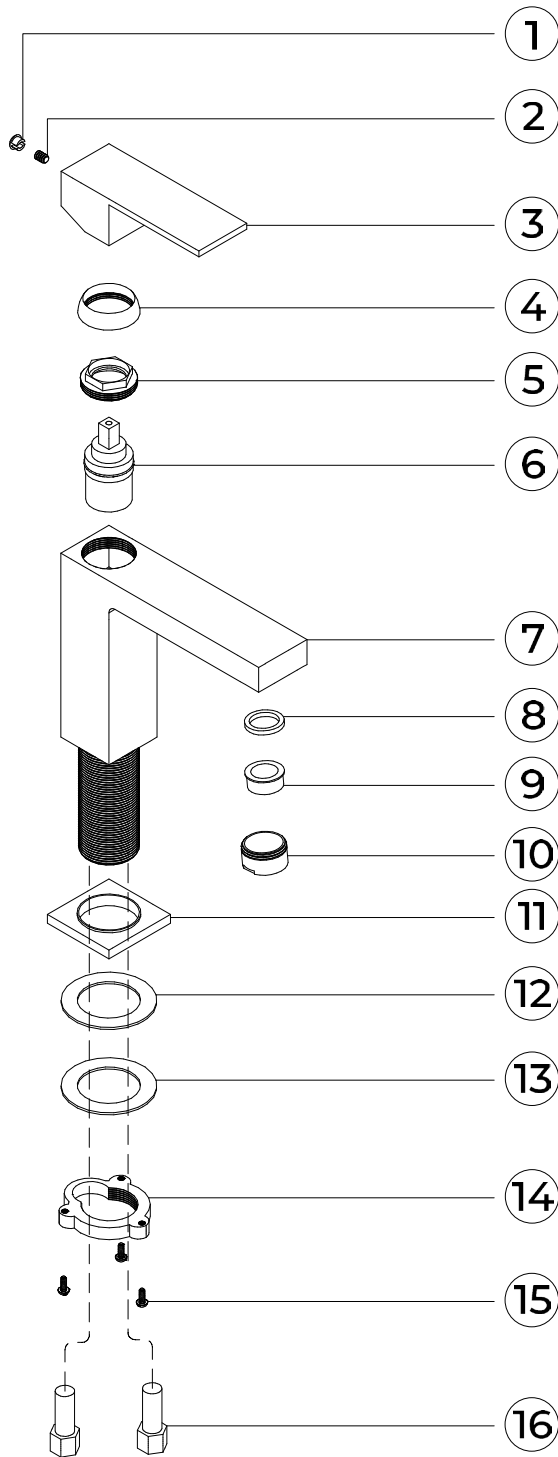
STEP 5



Remove the aerator and turn on faucet for one minute to flush debris from faucet and supply lines.

Turn faucet off and re-install aerator.

PARTS BREAKDOWN



- ① SET SCREW CAP
- ② SET SCREW
- ③ FAUCET HANDLE
- ④ DRESS RING
- ⑤ CARTRIDGE SECURING NUT
- ⑥ CARTRIDGE
- ⑦ FAUCET BODY
- ⑧ AERATOR O-RING
- ⑨ AERATOR
- ⑩ AERATOR SECURING NUT
- ⑪ FAUCET ESCUTCHEON
- ⑫ RUBBER WASHER
- ⑬ METAL WASHER
- ⑭ SECURING NUT
- ⑮ SECURING NUT SCREWS (3)
- ⑯ SUPPLY HOSES (2)