

**DESCRIPTION**

The H7 recessed housing is the standard in the industry for both commercial and residential applications. The wide variety of trims available allows a number of different lighting effects to be created with one basic housing. H7ICAT is for installations where the housing will be in direct contact with insulation.\* The H7ICAT housing meets restricted air flow requirements.

Catalog #		Type
Project		
Comments		Date
Prepared by		

**DESIGN FEATURES**

**Housings**

Aluminum construction for greater heat dissipation. H7ICAT housing is gasketed to prevent airflow from heated or air conditioned spaces.

**Socket Plate**

Rigid socket plate adjusts and locks without tools for various lamp sizes.

**Plaster Frame**

Housing adjusts in plaster frame to accommodate up to 1 3/8" ceiling thickness. Plaster frame features include:

- Regressed locking screw for securing hanger bars
- Cutouts for easily crimping hanger bars in position
- Halo name embossed on plaster frame Galvanized steel construction. The housing can be removed from plaster frame to provide access to the junction box.

**Junction Box**

Junction box features include:

- Listed for through branch circuit wiring
- Positioned to accommodate straight conduit runs
- Seven 1/2" trade size conduit knockouts with true pry-out slots
- Slide-N-Side™ connectors allow non-metallic sheathed cable to be installed without tools and without removing knockouts. Accepts a wider range of non-metallic sheathed cable – the standard cable types used in lighting for both U.S. and Canada.
- Allows wiring connections to be made outside the junction box

- Simply insert the cable directly into the trap after connections are made
- accommodates the following standard non-metallic sheathed cable types:  
(US) #14/2, #14/3, #12/2, #12/3  
(Canada) #14/2, #14/3, #12/2

**GOT NAIL! Pass -N-Thru™ Bar Hangers**

Bar Hanger Features include:

- Pre-installed nail easily installs in regular lumber, engineered lumber and laminated beams
- Safety and guidance system prevents snagging, ensures smooth straight nail penetration and allows bar hangers to be easily removed if necessary.
- Automatic levelling flange aligns the housing and lets you hold the housing in place with one hand while driving nails
- Housing can be positioned at any point within 24" joist span
- Score lines allow "toolless" shortening for 12" joists
- Bar hangers may be repositioned 90°
- Bar hangers do not need to be removed from frame for shortening
- Integral T-bar clips snaps onto T-bars - no additional clips required

**Socket**

Porcelain socket with nickel plated brass screw shell, snaps into trim for consistent lamp positioning.

**Thermal Protector**

Self resetting thermal protector deactivates fixture if overheating occurs due to improper lamping.

**Labels**

- UL/cUL Listed 1598 Luminaire
- UL/cUL Listed for Feed Through
- UL/cUL Listed for Damp Location
- UL/cUL Listed for Wet Location with select trims
- UL/cUL Listed for Direct Contact with insulation and combustible material\*

**Qualification**

IC and AIR-TITE™ Certified under ASTM-E283 and listed UL/cUL 1598. May be used to meet insulated ceiling\* and restricted air-flow requirements such as:

- Washington State Energy Code
- International Energy Conservation Code (IECC)
- New York State Energy Conservation Construction Code (NY-ECCC)
- State of California Title 24 "Recessed Luminaires in Insulated Ceilings."

\* Not to be used in direct contact with spray foam insulation.



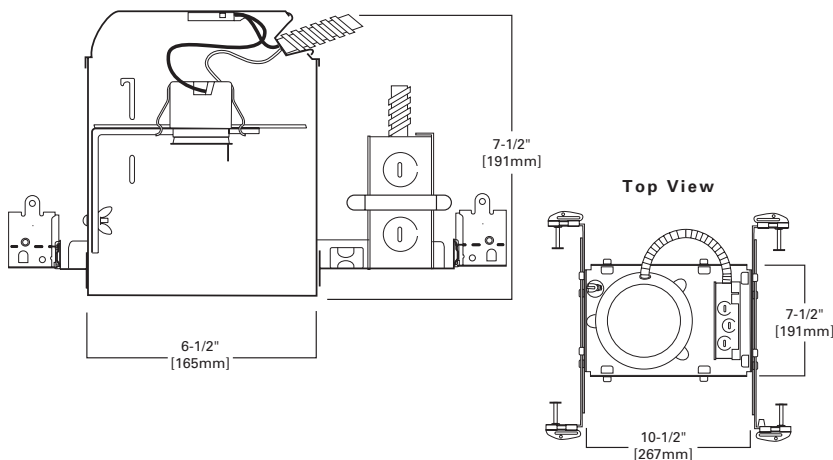
**H7ICAT**

**6" Insulated Ceiling Recessed Housing**

**6" TRIMS**

**FOR USE IN INSULATED CEILINGS**

**FOR DIRECT CONTACT WITH INSULATION\***



## ORDERING INFORMATION

SAMPLE NUMBER: H71CAT - 310W

## Housing

H71CAT=6" Aperture, New Construction, IC AIR-TITE™, 120V Line Voltage

## Trims

## Adjustables

376 Adjustable Gimbal - 30° Tilt, 50W PAR30, 50W PAR30L, OD: 7-1/4" [184mm]  
 376P=White Trim Ring, Black Baffle  
 376W=White Trim Ring, White Baffle

378 Adjustable with Splay - 25° Tilt, 35W PAR30L, OD: 7-1/4" [184mm]  
 378=White Trim with Clear Specular Splay  
 378P=White Trim with White Splay Trim

420 Regressed Eyeball - 30° Tilt, 50W PAR30L, 50W PAR30, 60W BR30, OD: 7-1/4" [184mm]

420P=White Trim with White Eyeball and Black Baffle

420PB=Polished Brass Trim with Polished Brass Eyeball and Black Baffle

420W=White Trim with White Eyeball and White Baffle

478 Adjustable with Splay - 25° Tilt, 45W PAR38, OD: 7-1/4" [184mm]  
 478=White Trim with Clear Specular Splay  
 478P=White Trim with White Splay

74 Eyeball - 30° Tilt, 75W PAR30, OD: 8" [203mm]  
 74P=White Trim and Eyeball

76 Adjustable Gimbal - 30° Tilt with screw base lamp, 45W PAR38, OD: 8" [203mm]  
 76P=White Trim with Gimbal Ring

77 Adjustable Eyeball - 30° Tilt, 50W PAR20, 75W R20, OD: 8" [203mm]  
 77P=White Trim with White Eyeball

78 Eyeball - 30° Tilt, 65W BR30, 75W R30, 75W PAR30L, OD: 8" [203mm]  
 78B=Satin Brass Trim with Satin Brass Eyeball

78P=White Trim with White Eyeball  
 78PAT=White Trim with White Eyeball - AIR-TITE™ Trim

78PB=Polished Brass Trim with Polished Brass Eyeball

78SN=Satin Nickel Trim with Satin Nickel Eyeball

78TBZ=Tuscan Bronze Trim with Tuscan Bronze Eyeball

90 Double Bubble Adjustable - 60° Tilt, 150W PAR38, OD: 8" [203mm]  
 90P=White Trim and Eyeball

## Baffles

30 Super Trim™ AIR-TITE™ Baffle, 40W A19, 65W BR30, 75W R30, 75W PAR30, 75W PAR30L, 65W PAR38, 90W BR40, OD: 7-1/4" [184mm]

30PAT=White Trim with Black Baffle and Clear Reflector

30SNAT=Satin Nickel Trim with Satin Nickel Baffle and Reflector

30TBZAT=Tuscan Bronze Trim with Tuscan Bronze Baffle and Reflector

30WAT=White Trim with White Baffle and White Reflector

30WATH=White Trim with White Baffle and Clear Reflector

310 Coilex® Baffle, 45W PAR38, 50W PAR30, 65W BR30, 75W R30, 75W PAR30L, 310W, P, SN, TBZ - OD: 7-1/4" [184mm], 310WG, PG - OD: 8" [203mm]

310P=White Trim with Black Coilex® Baffle

310PG=Wide White Trim Ring with Black Coilex® Baffle

310SN=Satin Nickel Trim with Black Coilex® Baffle

310TBZ=Tuscan Bronze Trim with Black Coilex® Baffle

310W=White Trim with White Coilex® Baffle

310WG=Wide White Trim Ring with White Coilex® Baffle

312 Coilex® Baffle, 50W PAR30, 65W BR30, 75W PAR30L, 75W R30, OD: 7-1/4" [184mm]

312P=White Trim with Black Baffle

312W=White Trim with White Baffle

353 Metal Baffle, 50W PAR30, 65W BR30, 75W PAR30L, 75W R30, OD: 7-1/4" [184mm]

353SN=Satin Nickel Trim with Satin Nickel Baffle

353TBZ=Tuscan Bronze Trim with Tuscan Bronze Baffle

## Lenses and Diffusers

170 Albalite Lens with Reflector, 40W A19, OD: 8" [203mm]

170P=White Trim with Frosted Albalite Glass Lens

170PS=White Trim with Frosted Albalite Glass Lens, Wet Location Listed and AIR-TITE™

171 Drop Opal Lens with Reflector, 40W A19, OD: 8" [203mm]

171P=White Trim with Drop Opal Glass Lens

171PS=White Trim with Drop Opal Glass Lens, Wet Location Listed and AIR-TITE™

172 Dome Lens with Reflector, 50W PAR30, 60W A19, OD: 7-3/4" [197mm]

172PS=White Trim with Frosted Glass Dome, Wet Location Listed and AIR-TITE™

172SNS=Satin Nickel Trim with Frosted Glass Dome, Wet Location Listed and AIR-TITE™

172TBZS=Tuscan Bronze Trim with Frosted Glass Dome, Wet Location Listed and AIR-TITE™

173 Fresnel Lens with Reflector, 40W A19, OD: 8" [203mm]

173P=White Trim with Glass Fresnel Lens

173PS=White Trim with Glass Fresnel Lens, Wet Location Listed and AIR-TITE™

## Open

300 Open Trim with Socket Support, 65W BR30, 75W PAR30, 75W PAR30L, OD: 7-1/4" [184mm]

300P=White Trim Ring

300SN=Satin Nickel Trim Ring

300TBZ=Tuscan Bronze Trim Ring

327 White Splay Trim, 65W BR30, 75W PAR30, 75W PAR30L, OD: 7-3/4" [197mm]  
 327P=White Splay Trim with Socket Support and Torsion Springs

328 White Splay Trim, 50W PAR30, 65W BR30, 75W R30, 75W PAR30L, OD: 7-3/4" [197mm]

328P=White Splay Trim

## Reflectors

30 Super Trim™ AIR-TITE™ Reflector, 60W A19, 65W BR30, 65W PAR38, 75W PAR30, 75W R30, 75W PAR30L, 90W BR40, OD: 7-1/4" [184mm]

30CAT=White Trim with Clear Specular Reflector

30HAT=White Trim with Haze Reflector

30RGAT=White Trim with Gold Reflector

30SBAT Super Trim™ AIR-TITE™ Reflector, 40W A19, 50W PAR30, 50W PAR38, 65W BR30, 75W PAR30L, 75W R30, OD: 7-1/4" [184mm]

30SBAT=Black Specular Reflector

404 Specular Reflector, 60W A19, OD: 7-1/4" [184mm]

404C=White Trim with Clear Specular Reflector

404H=White Trim with Haze Reflector

404RG=White Trim with Residential Gold Reflector

404SN=Satin Nickel Trim with Satin Nickel Reflector

404TBZ=Tuscan Bronze Trim with Tuscan Bronze Reflector

4041 Self Flanged White Reflector, 60W A19, OD: 7-1/4" [184mm]

4041P=White Self Flanged Reflector

426 Reflector Cone, 50W PAR30, 65W BR30, 75W R30, 75W PAR30L, OD: 7-1/4" [184mm]

426=White Trim Ring with Clear Specular Reflector Cone

426CG=White Trim with Champagne Gold Reflector Cone

426H=White Trim with Haze Reflector Cone

426MB=White Trim with Specular Black Reflector Cone

426RG=White Trim with Residential Gold Reflector Cone

426SN=Satin Nickel Trim with Satin Nickel Reflector Cone

426TBZ=Tuscan Bronze Trim with Tuscan Bronze Reflector Cone

4261 Self Flange White Reflector Cone, 45W PAR38, 50W PAR30, 75W R30, 75W PAR30L, OD: 7-1/4" [184mm]

4261P=White Self Flanged Reflector Cone

429 Dayform White Cone, 50W PAR30, 65W BR30, 75W R30, 75W PAR30L, OD: 7-1/4" [184mm]

429P=White Trim and Splay Reflector

## Wall Wash

430 Wall Wash with Baffle and Full Reflector, 40W A19, OD: 7-1/4" [184mm]

430P=White Trim with Black Baffle

430W=White Trim with White Baffle

## Accessories

## Designer Trim Rings

See Accessories for compatible trims.

TRM6C=Chrome

TRM6MB=Black Metal

TRM6P=White Metal

TRM6SN=Satin Nickel

TRM6TBZ=Tuscan Bronze

TRM7MB=Black Plastic

## Oversize Trim Rings

For use when ceiling opening is cut too large. See

Accessories for compatible trims.

OT400P=6" I.D. x 9 1/4" O.D. Oversized White Metal Trim Ring

OT403P=6" I.D. x 8" O.D. Oversized White Plastic Trim Ring

## R/PAR Aiming Mechanism

30° Tilt, 358° Rotation

H930=R/PAR Lamp Aiming Accessory for 310 and 426 Trims (Allows 30° tilt and 358° rotation. 50W PAR30.)

NOTES: Δ Not to be used in direct contact with spray foam insulation. Δ UL/CUL Listed for Wet Location with select trims.

\*Refer to Halo ML56 LED Light Module specification sheets for additional information.

Note: Specifications and Dimensions subject to change without notice.

Visit our web site at [www.cooperlighting.com](http://www.cooperlighting.com)

Customer First Center 1121 Highway 74 South Peachtree City, GA 30269 770.486.4800 FAX 770.486.4801  
 Cooper Lighting 5925 McLaughlin Rd. Mississauga, Ontario, Canada L5R 1B8 905.507.4000 FAX 905.568.7049