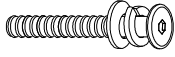
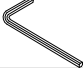


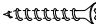
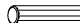


# ASSEMBLY INSTRUCTIONS

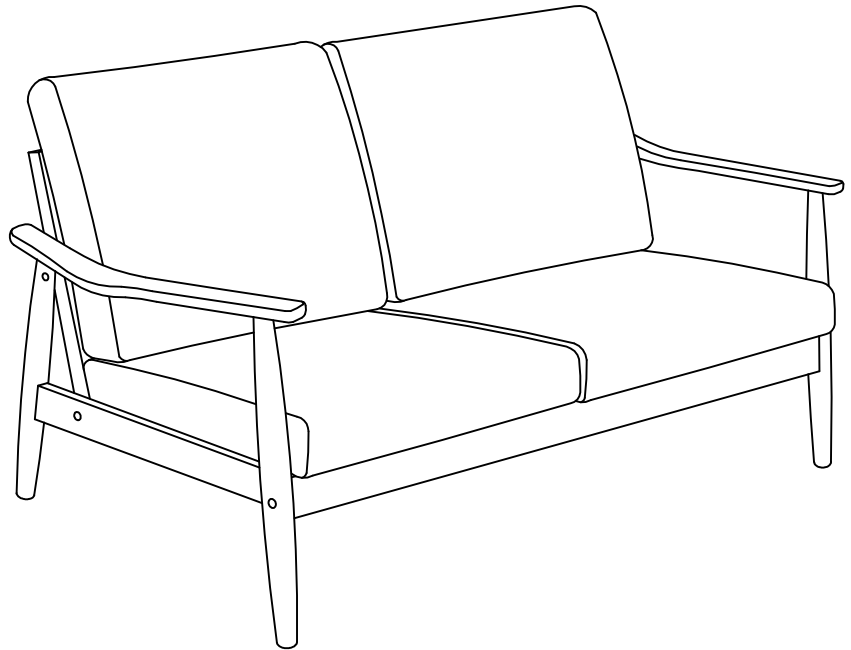
**MODEL :** SOFA - 2 SEATER

**IMPORTANT NOTE :**

- \* PLACE ALL WOODEN PARTS ON A CLEAN AND SMOOTH SURFACE SUCH AS A RUG OR CARPET TO AVOID THE PARTS FROM BEING SCRATCHED.
- \* BEFORE YOU BEGIN, KINDLY FOLLOW THE ASSEMBLY INSTRUCTIONS STEP BY STEP.

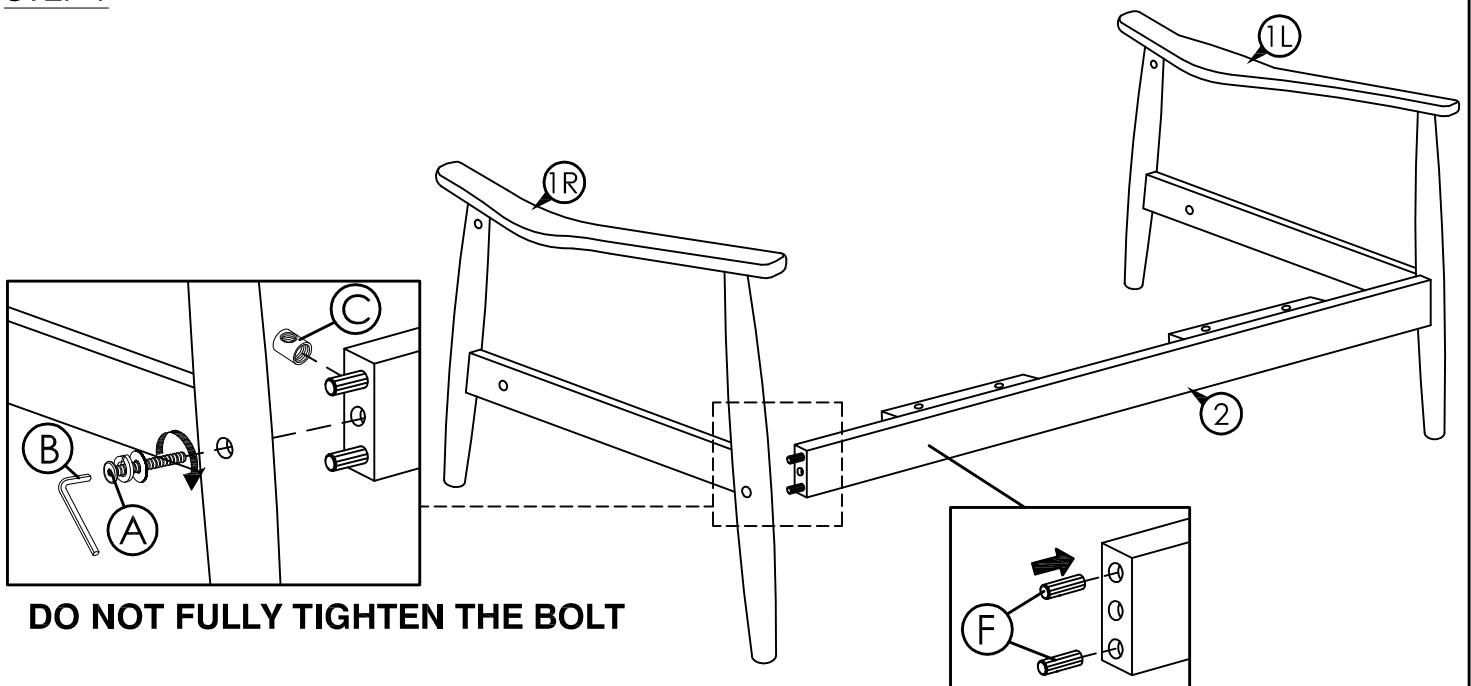
HARDWARE LIST		
A	JCBC M6 x 50mm + S/W M6 + F/W M6 x 13mm 	6PCS
B	ALLEN KEY M4 	1PC
C	BARREL NUT M6 x 13mm 	4PCS
D	WOOD BUTTON Ø 14.5 	6PCS
E	FH SCREW #8 X 32mm 	8PCS
F	WOOD DOWEL M10 x 40mm 	4PCS

PART LIST		
1	SOFA LEG (L/R)	2PCS
2	FRONT RAIL	1PC
3	BACK FRAME	1PC
4	SEAT FRAME	1PC
5	SOFA BACK REST	2PCS
6	SOFA SEAT REST	2PCS



COMPLETED SOFA ASSEMBLY.

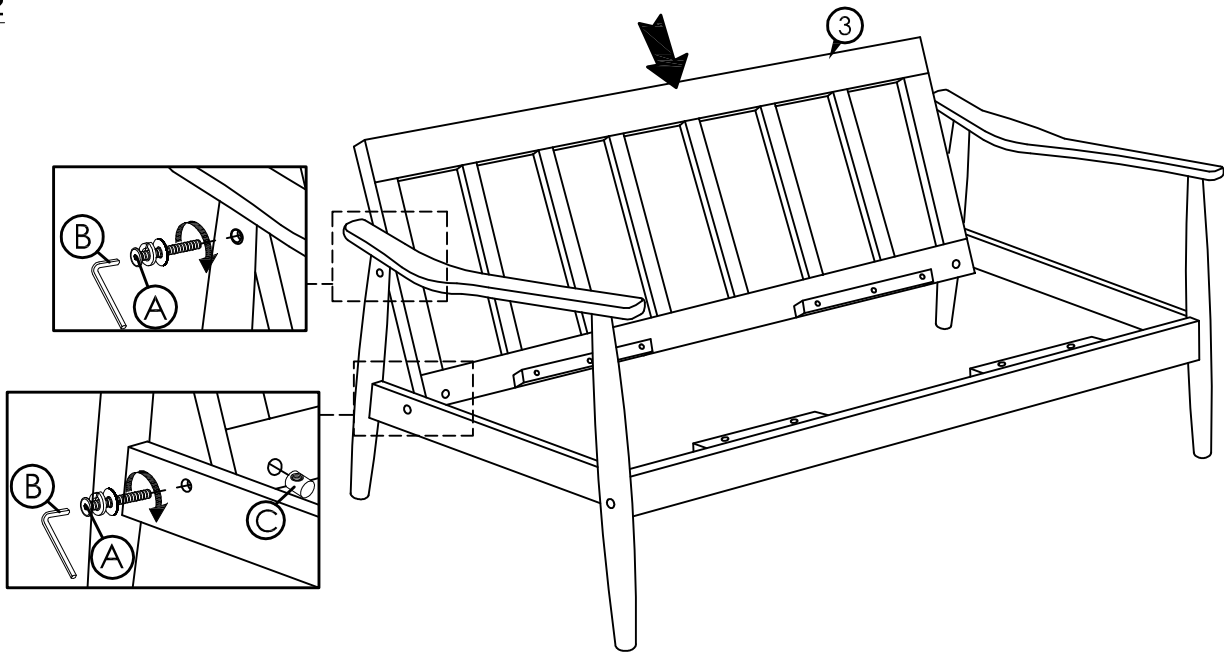
**STEP 1**



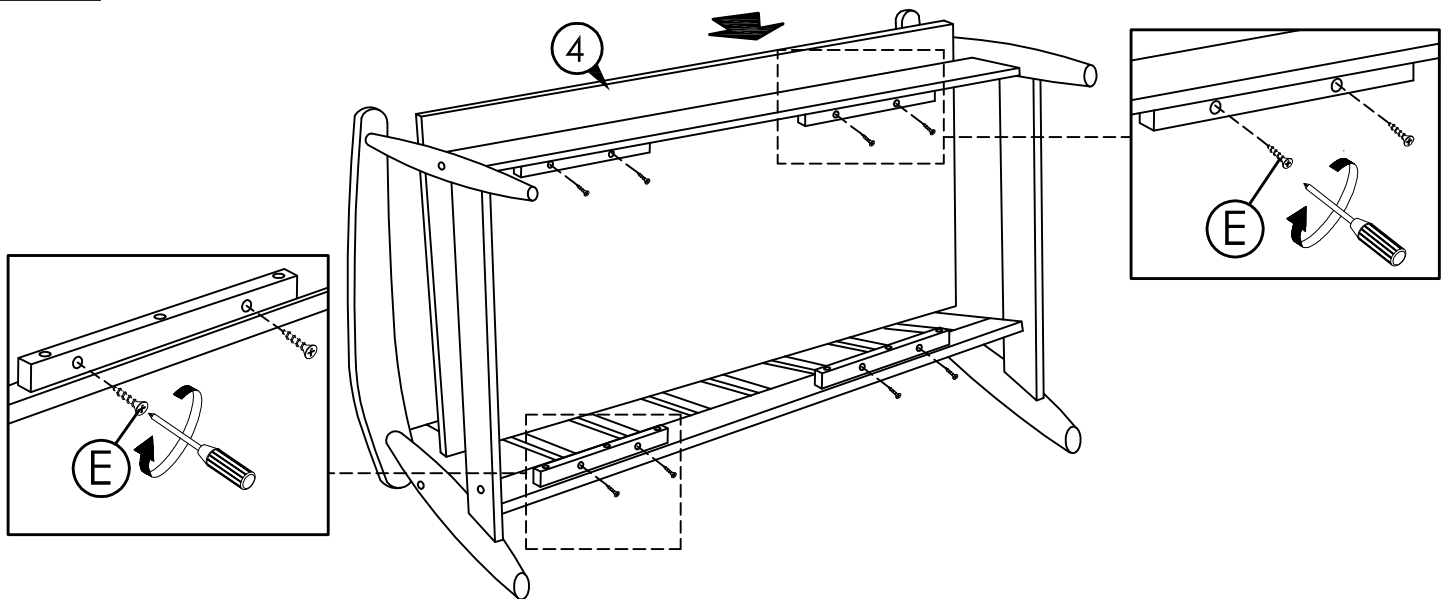
**DO NOT FULLY TIGHTEN THE BOLT**

# ASSEMBLY INSTRUCTIONS

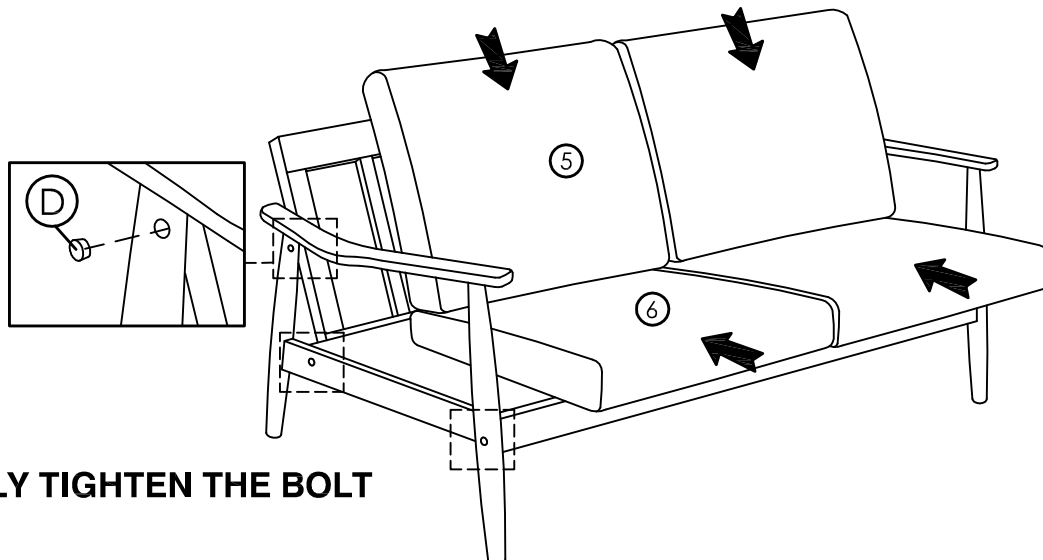
## STEP 2



## STEP 3



## STEP 4



**FULLY TIGHTEN THE BOLT**