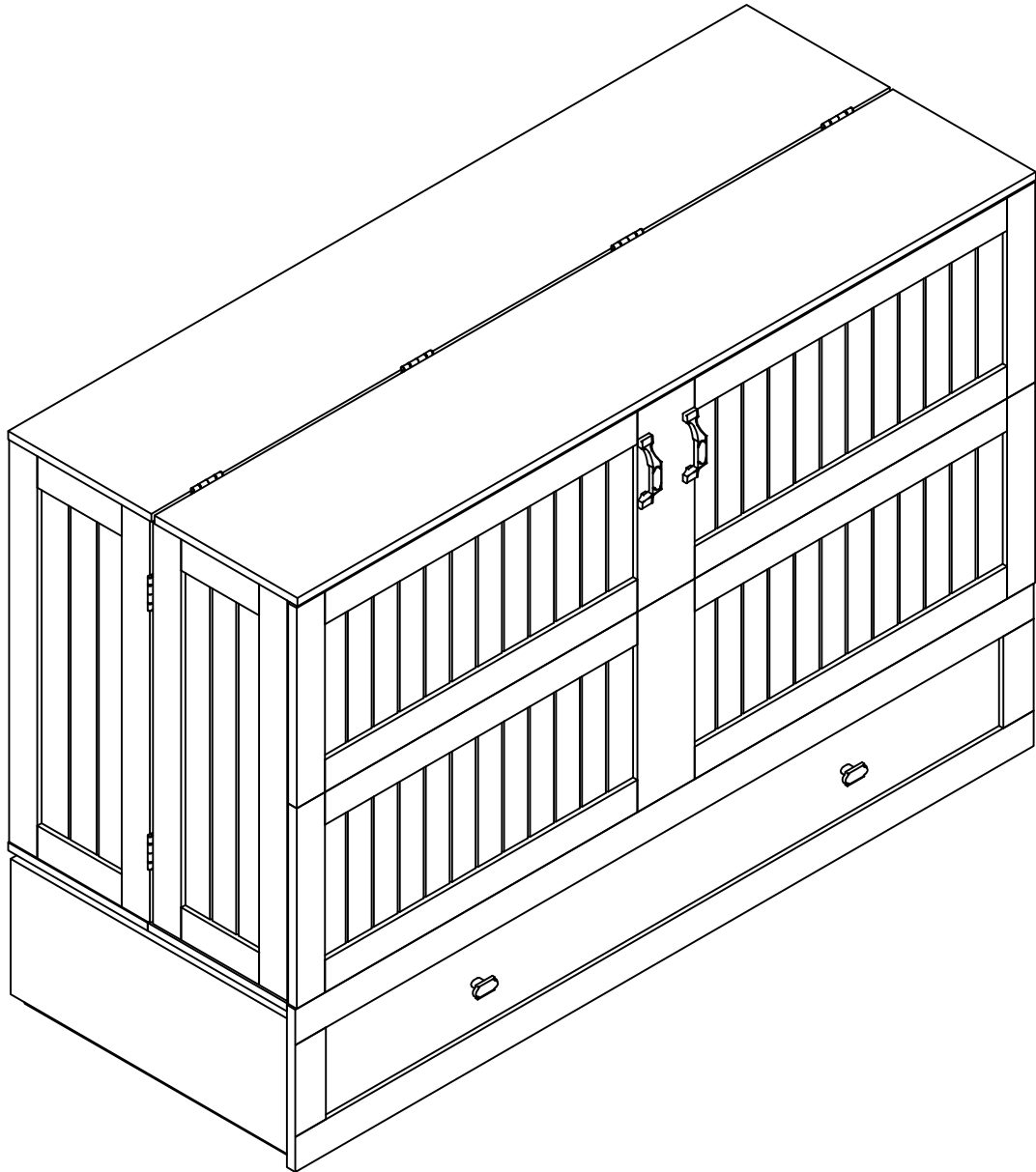


Murphy Bed



SKU:MFC-10
MFSKU:MFC-10
P0250409003
20250426

RETURNS

CHANGED YOUR MIND AND NEED TO RETURN YOUR ITEM?

PLEASE FOLLOW THE BELOW INSTRUCTIONS:

- If you have purchased and have simply changed your mind, follow the retailer's instructions for returns.

DEFECTIVE ITEMS

- If your item is defective in any way, i.e. it doesn't work but you can't identify why, in the first instance, please consult our FAQ section at wardrobe2023@163.com as there may be a simple solution to the issue.

DAMAGED ITEMS

- If you receive an order with obvious shipping damage from the retailer, then we suggest the delivery is refused. If the delivery has been accepted and then shipping damage is found, please follow the specific instructions advised by the retailer.

- In all circumstances, please save all packaging material and paperwork for the order.

- Please be aware that if you dispose of packaging material or attempt to return the merchandise without contacting the retailer, you jeopardize your chances of making a claim, and you may not receive a credit for the return.

EMAIL: wardrobe2023@163.com



(Installation Video)

WARRANTY

WARRANTY CLAIMS

- There is a 30-day warranty for broken furniture or any other problems that do not work properly. The warranty will start from the date of purchase which must be verified by proof of purchase.
- The product must be used in accordance with the instructions provided. For health reasons.
- For other reasons, if the furniture needs to be returned, it must be cleaned and dried and operated within 30 days of receipt.

Type of Warranty Claim

- Failure to follow the furniture instructions will invalidate the warranty. Attention please.
- Does not include damage during installation, but includes damage during transportation.

Scope of responsibility

- Shall not bear any responsibility for misuse or user damage and / or loss of parts during the installation of furniture.
- After using, the damage and scratches of the furniture are not covered by the warranty.

The Warranty Relates to All Bought in The Us and Covers The Following Areas

- Sheet parts: 1 month from the date of purchase.
- Electrical parts: 1 month from the date of purchase.

IMPORTANT INFORMATION!

•please read the entire manual before starting to assemble and/or using this product. follow the manual thoroughly and keep it for further reference.

AVOID SCRATCHES!

•In order to avoid scratching this furniture should be assembled on a soft layer-could be a rug.

IMPROVE EFFICIENCY !

•Try to find a partner to install with you, which can speed up the installation efficiency and shorten the time.

IMPORTANT !

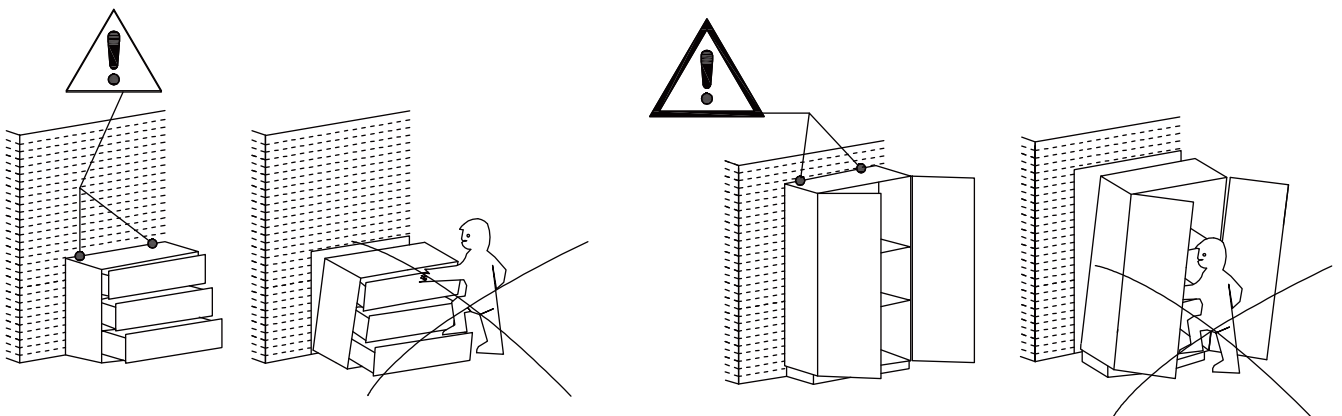
•It is important that any product which is assembled using any kind of screw is re-tightened 2 weeks after assembly, and once every 3 months - in order to assure stability through-out the lifespan of the product.

•For regular maintenance and cleaning of the product, for the frame, please use a rag dipped in neutral detergent to fully wipe it, and then dry it with a clean rag. For glass materials, wipe with a rag dampened with water glass cleaner, and then dry with a dry rag.

•Do not use an electric screwdriver, and do not use too much force when installing, because the board is easy to break.

ANTI-TOPPLE WARNING !

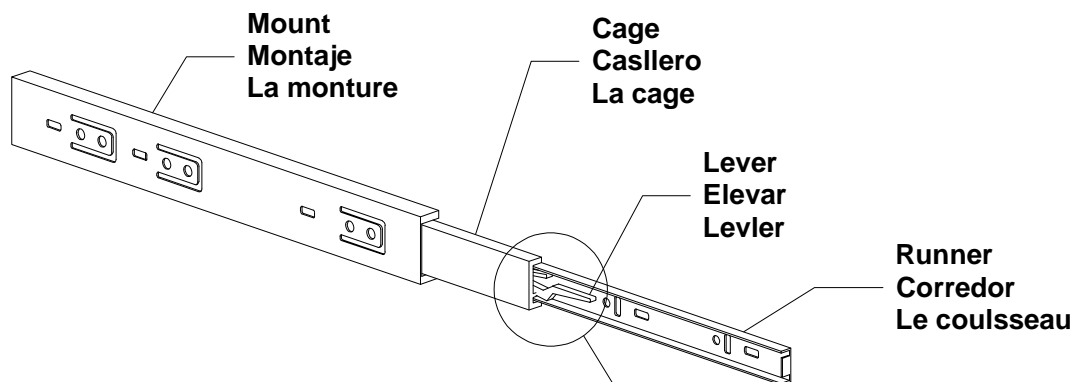
Overtured furniture can cause serious or fatal crush injuries. To prevent tipping over, be sure to use the wall attachment, if not included with this product. Please purchase the wall attachment that fit your wall. If unsure, seek professional advice. Please read and follow each step of the instructions carefully.



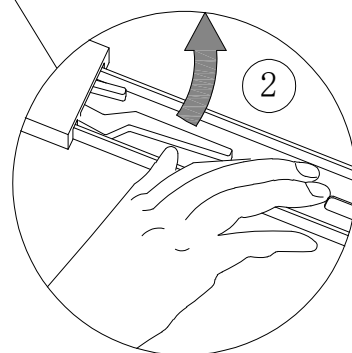
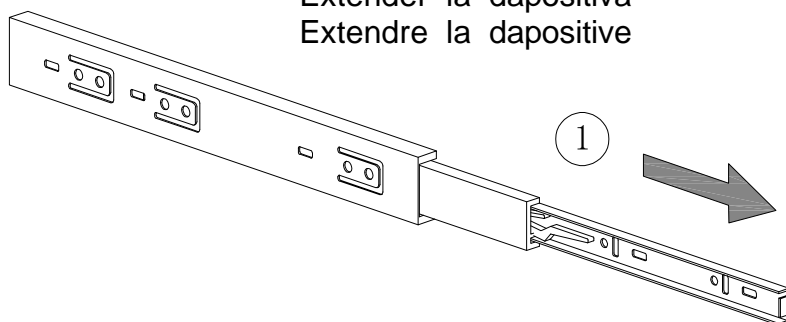
**Slides Must be Separated Before Assembly.
After Separated, Set Aside Until Needed for Assembly.**

Las diapositivas deben separarse antes del montaje.
Después de la separación, déjelo a un lado hasta que sea necesario.

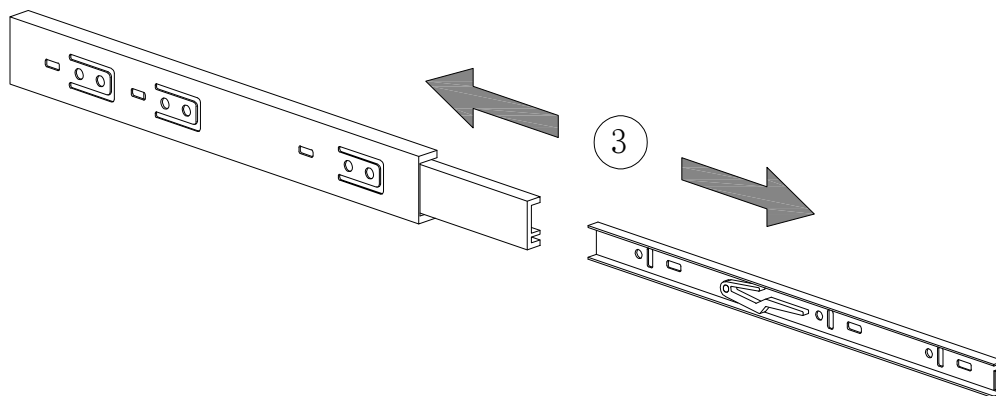
Les glissières doivent être séparées avant l'assemblage.
Après la séparation, mettez de côté jusqu'au moment de l'assemblage.



Step 1: Extend slide
Extender la dapositiva
Extendre la dapositive

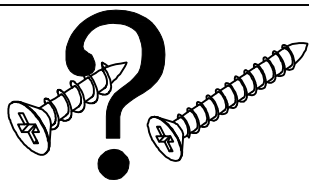
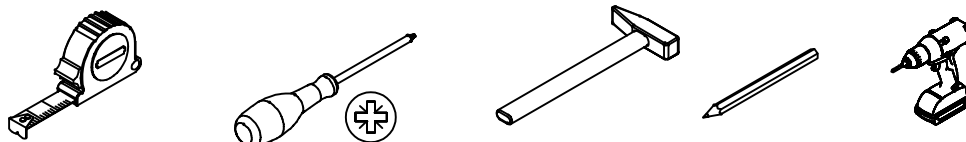


Step 3: Remove Runner
Quitar el corredor
Enlever le coureur



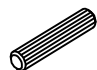
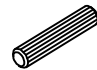
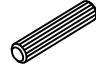
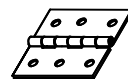
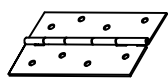



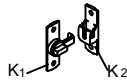
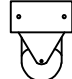



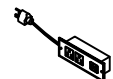
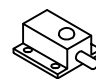










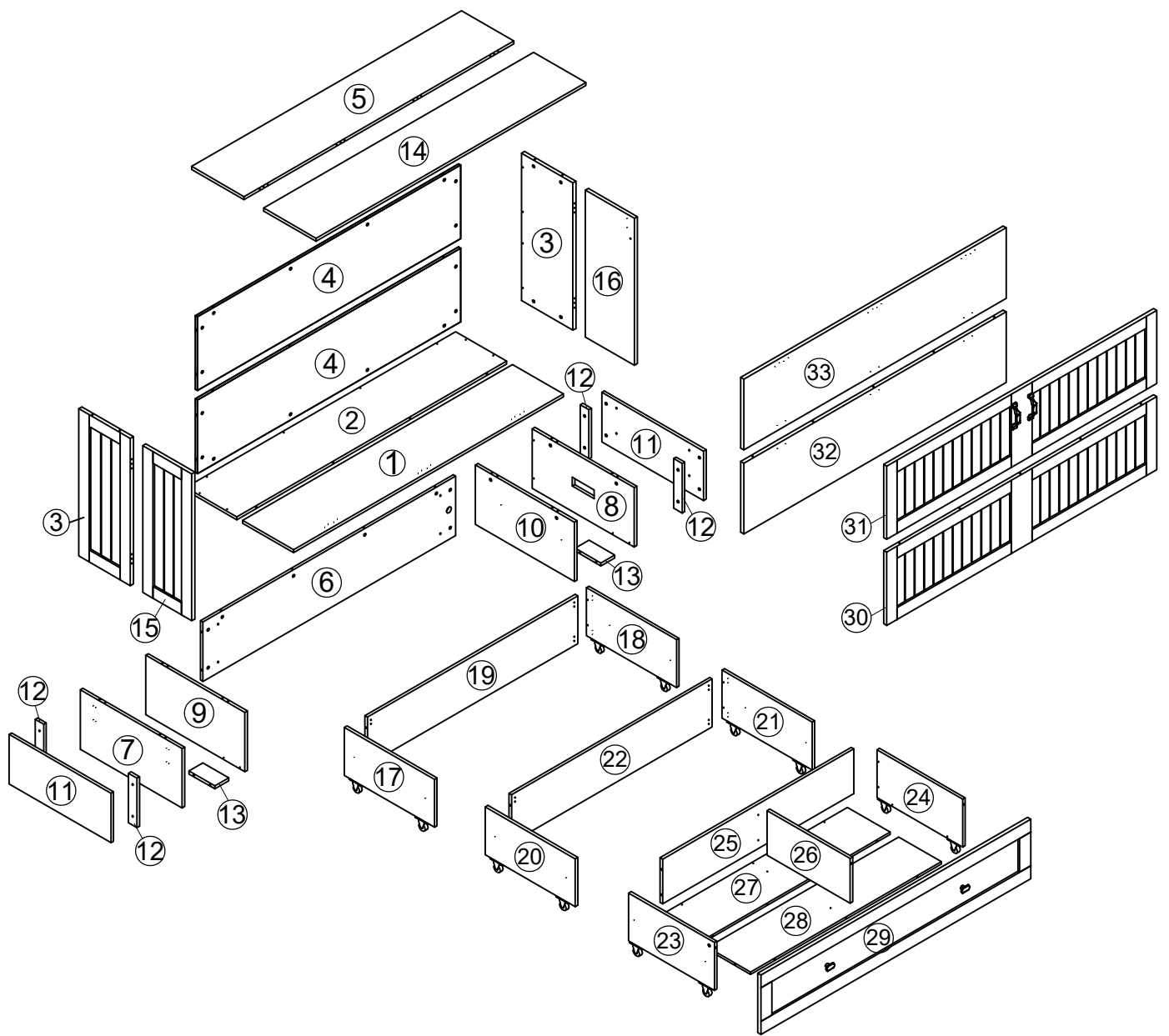
Step 2: Push Lever Up
Empujar hacia arriba
Lever le levier

Please prepare the following tools

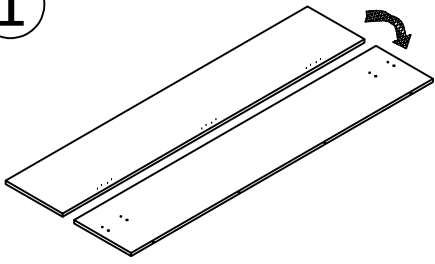
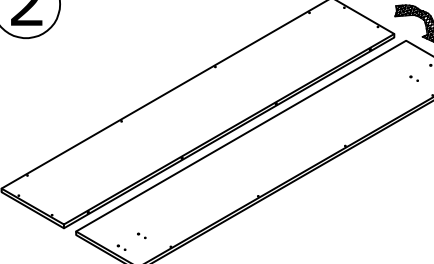
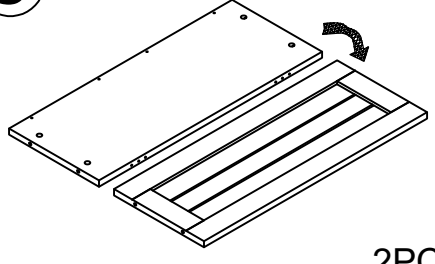
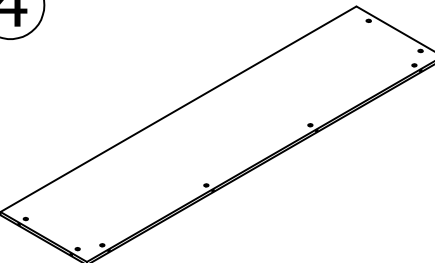
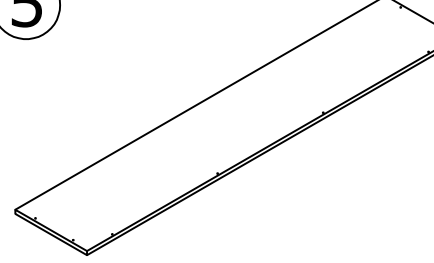
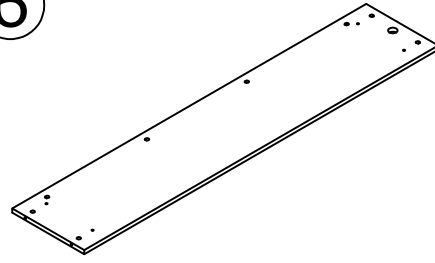
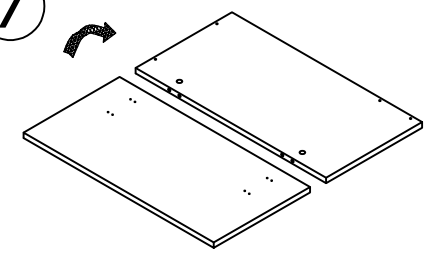
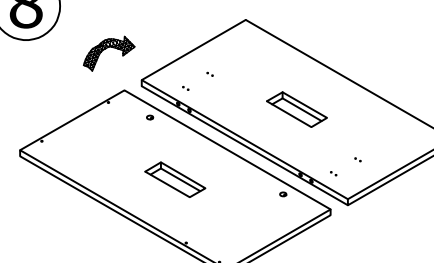
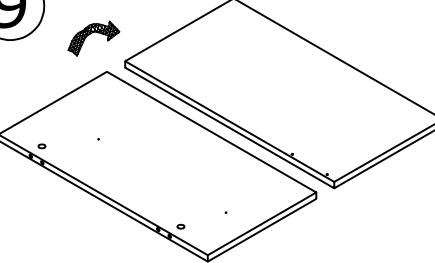
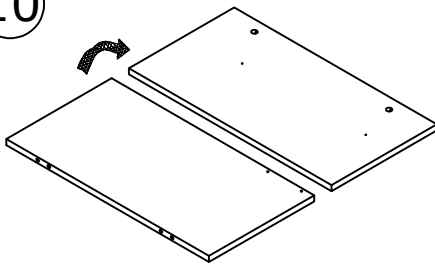
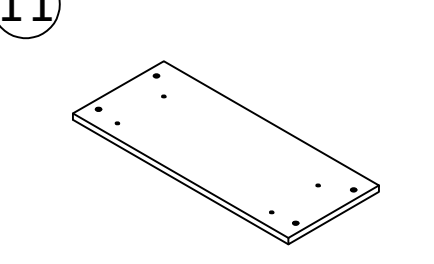
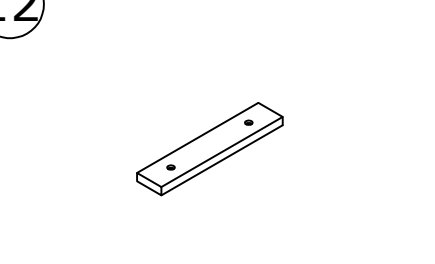
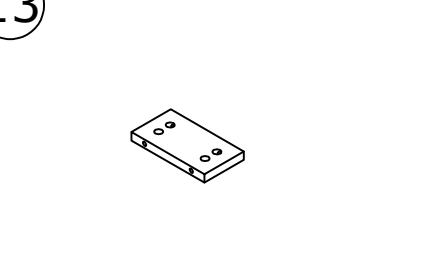
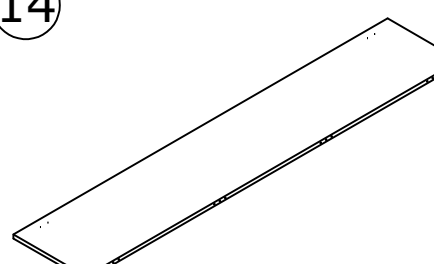
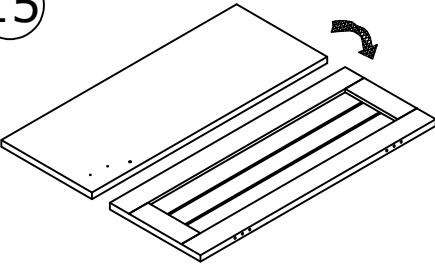
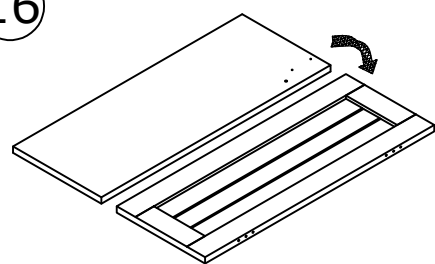
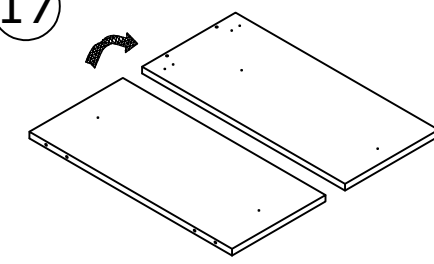
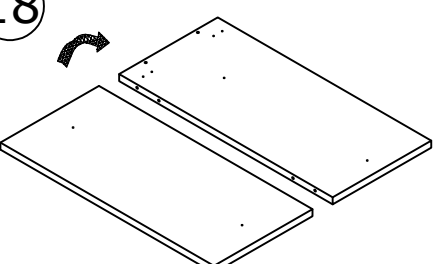


When installing, please carefully confirm whether each screw corresponds to the manual, accessories with similar shapes can be distinguished by size

<p>A x 77</p>  <p>Ø6 x 28mm</p>	<p>B x 77</p>  <p>Ø15 x 10mm</p>	<p>C x 8</p>  <p>Ø8 x 30mm</p>	<p>D x 14</p>  <p>Ø8 x 40mm</p>	<p>E x 8</p>  <p>Ø6 x 40mm</p>	<p>F x 8</p>  <p>60 x 38mm</p>
<p>G x 6</p>  <p>100*70mm</p>	<p>H x222</p>  <p>Ø3.5 x 14mm</p>	<p>I x 4</p>  <p>Ø7 x 38mm</p>	<p>J x 6</p>  <p>500mm</p>	<p>K x 2</p> 	<p>L x 12</p>  <p>H52mm</p>
<p>M x 24</p>  <p>Ø3.5 x 25mm</p>	<p>N x 8</p>  <p>25 x 15 x 15mm</p>	<p>O x 4</p>  <p>195 x110 x 30mm</p>	<p>P x 1</p>  <p>161X54X40mm</p>	<p>Q x 2</p>  <p>37X36X17mm</p>	<p>R x 2</p>  <p>300 x 25mm</p>
<p>S x 6</p>  <p>Ø80 x 2mm</p>	<p>T x 8</p>  <p>Ø6x 20mm</p>	<p>U x 1</p> 	<p>V x 2</p>  <p>Ø4 x 14mm</p>	<p>W x 4</p>  <p>Ø4 x 22mm</p>	<p>X x 2</p> 
<p>Y x 2</p>  <p>96mm</p>					

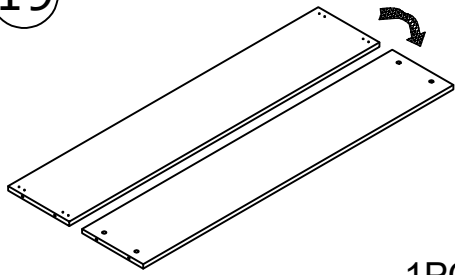


Parts list

<p>①</p>  <p>1PC</p>	<p>②</p>  <p>1PC</p>	<p>③</p>  <p>2PCS</p>
<p>④</p>  <p>2PCS</p>	<p>⑤</p>  <p>1PC</p>	<p>⑥</p>  <p>1PC</p>
<p>⑦</p>  <p>1PC</p>	<p>⑧</p>  <p>1PC</p>	<p>⑨</p>  <p>1PC</p>
<p>⑩</p>  <p>1PC</p>	<p>⑪</p>  <p>2PCS</p>	<p>⑫</p>  <p>4PCS</p>
<p>⑬</p>  <p>2PCS</p>	<p>⑭</p>  <p>1PC</p>	<p>⑮</p>  <p>1PC</p>
<p>⑯</p>  <p>1PC</p>	<p>⑰</p>  <p>1PC</p>	<p>⑱</p>  <p>1PC</p>

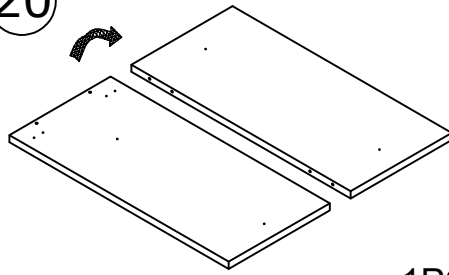
Parts list

19



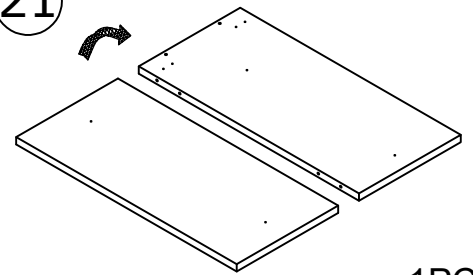
1PC

20



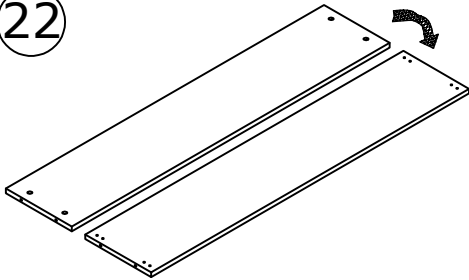
1PC

21



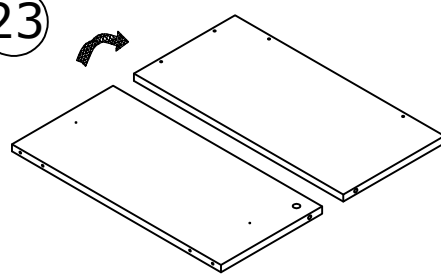
1PC

22



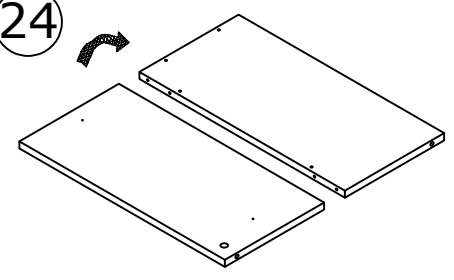
1PC

23

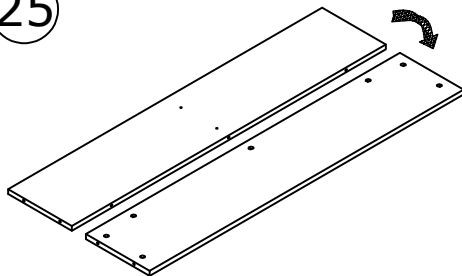


1PC

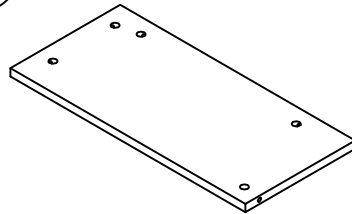
24



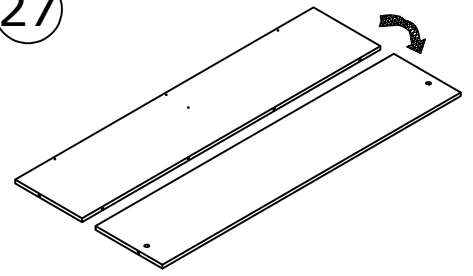
25



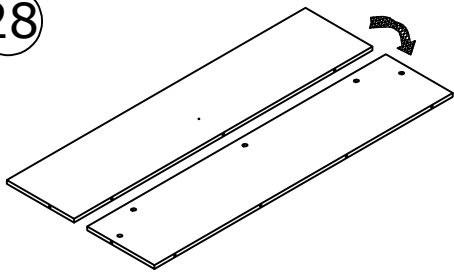
26



27

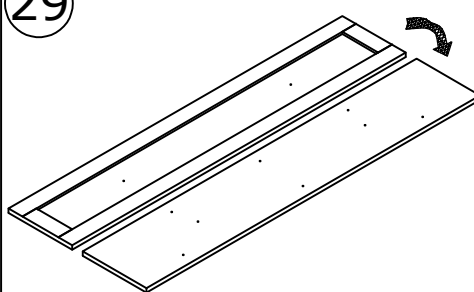


28

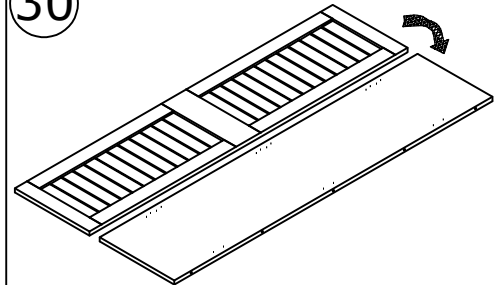


1PC

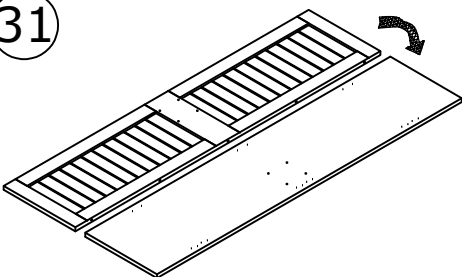
29



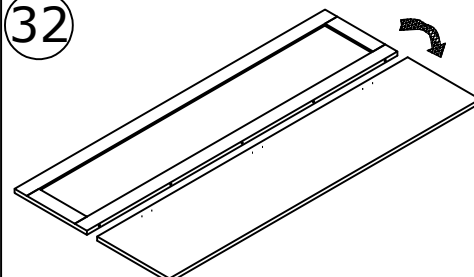
30



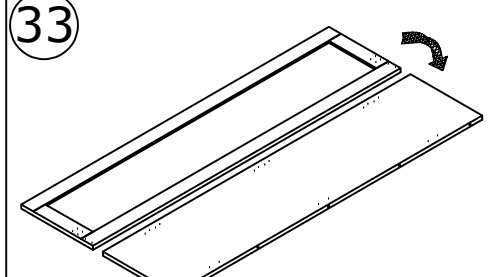
31




32

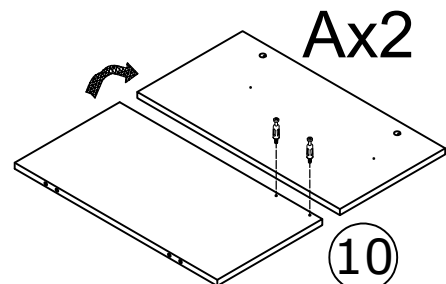
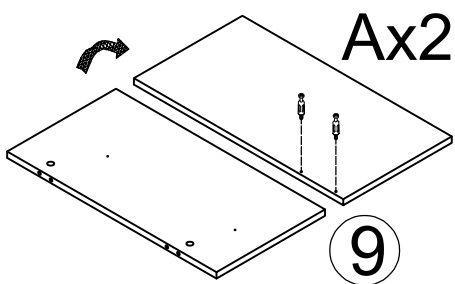
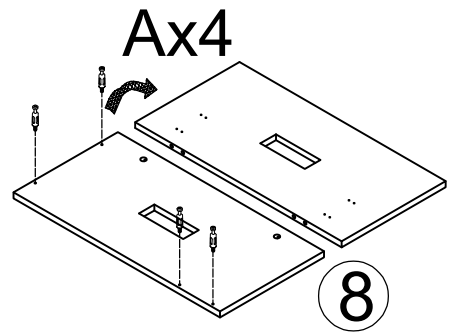
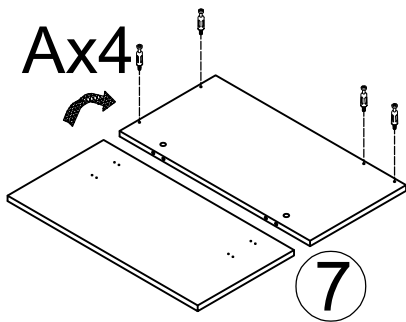
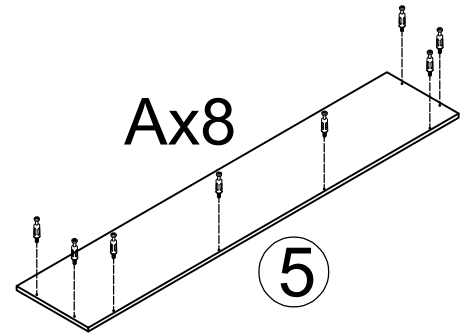
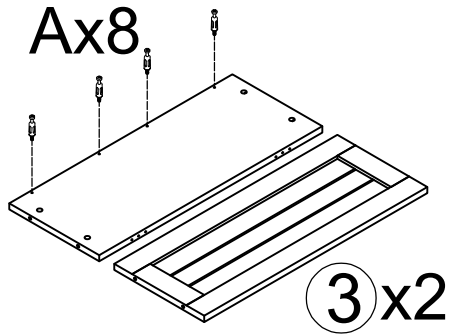
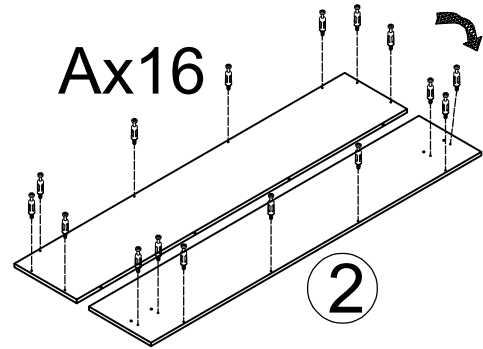
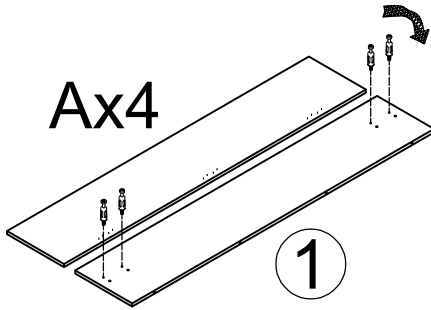
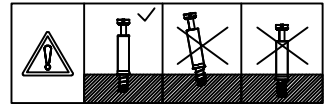
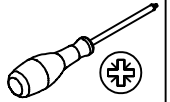


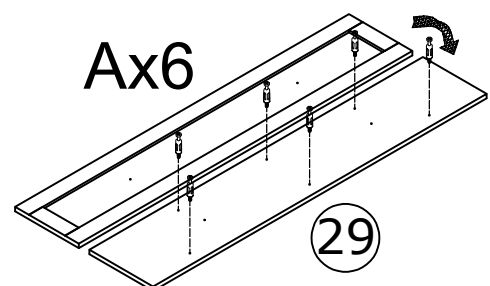
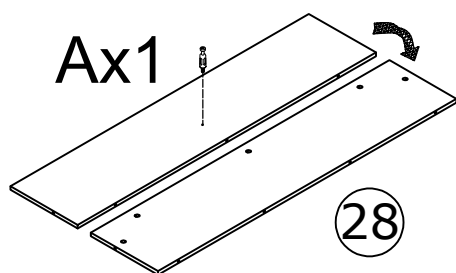
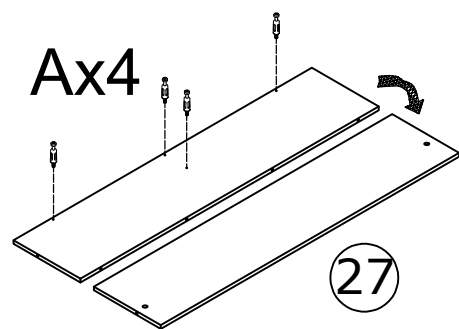
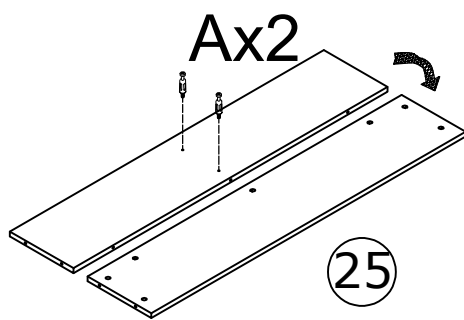
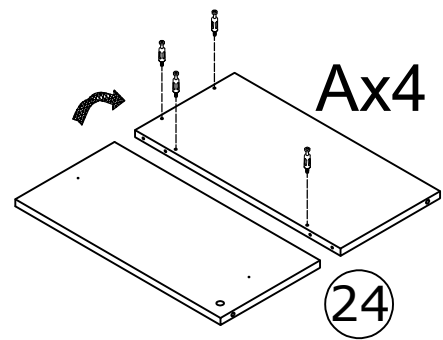
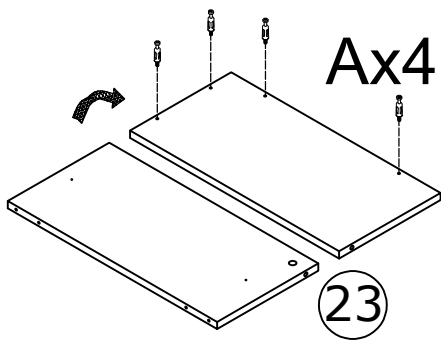
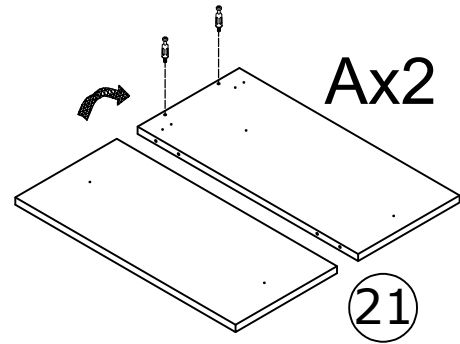
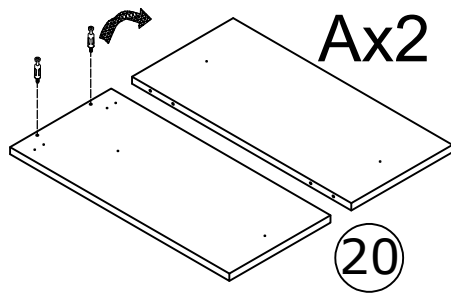
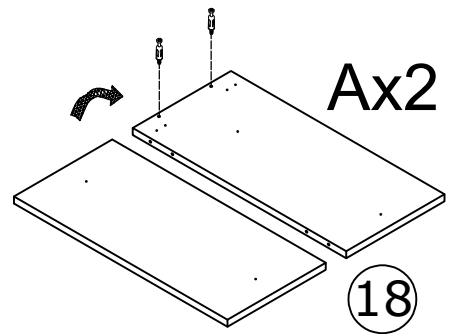
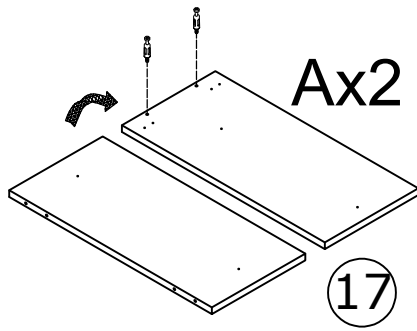
33



1

A x 77

Ø6 x 28mm



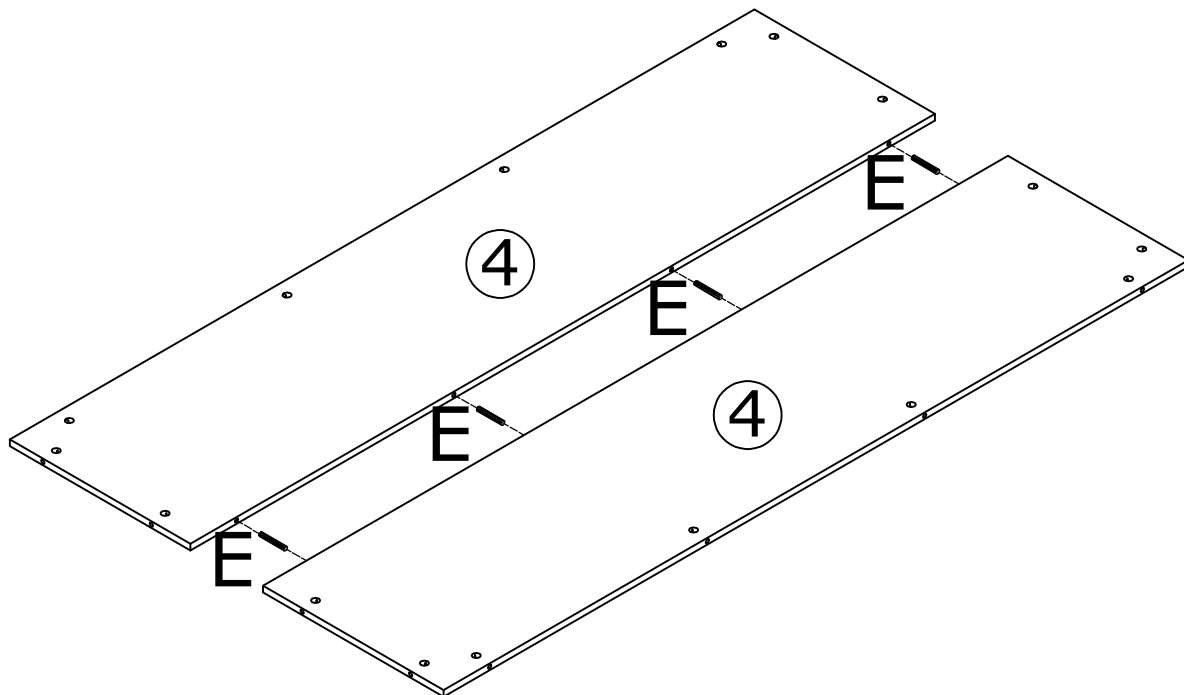
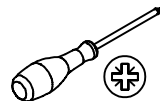


2

E x 4



Ø6 x 40mm

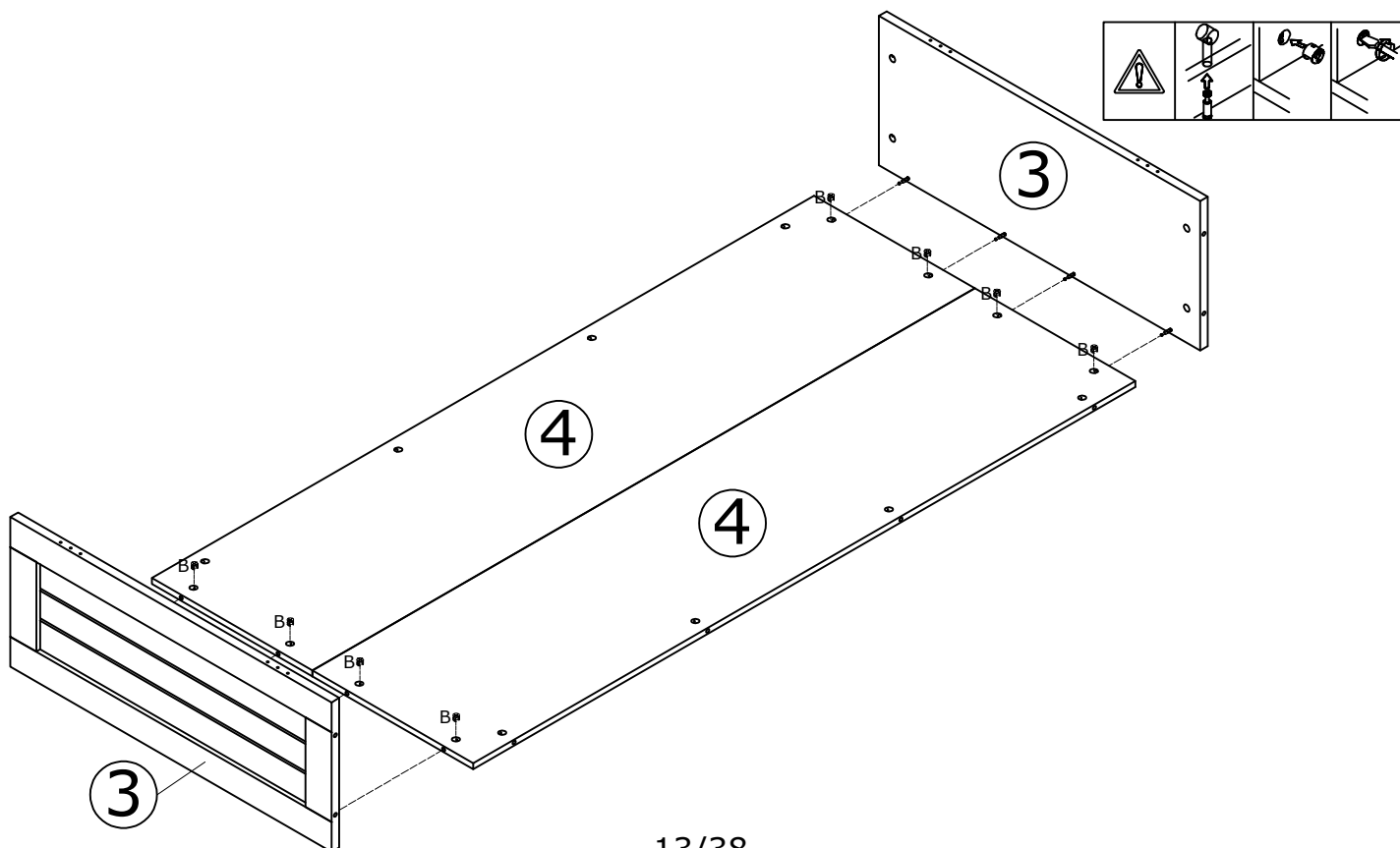
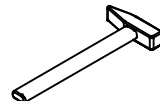
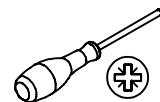


3

B x 8



Ø15 x 10mm

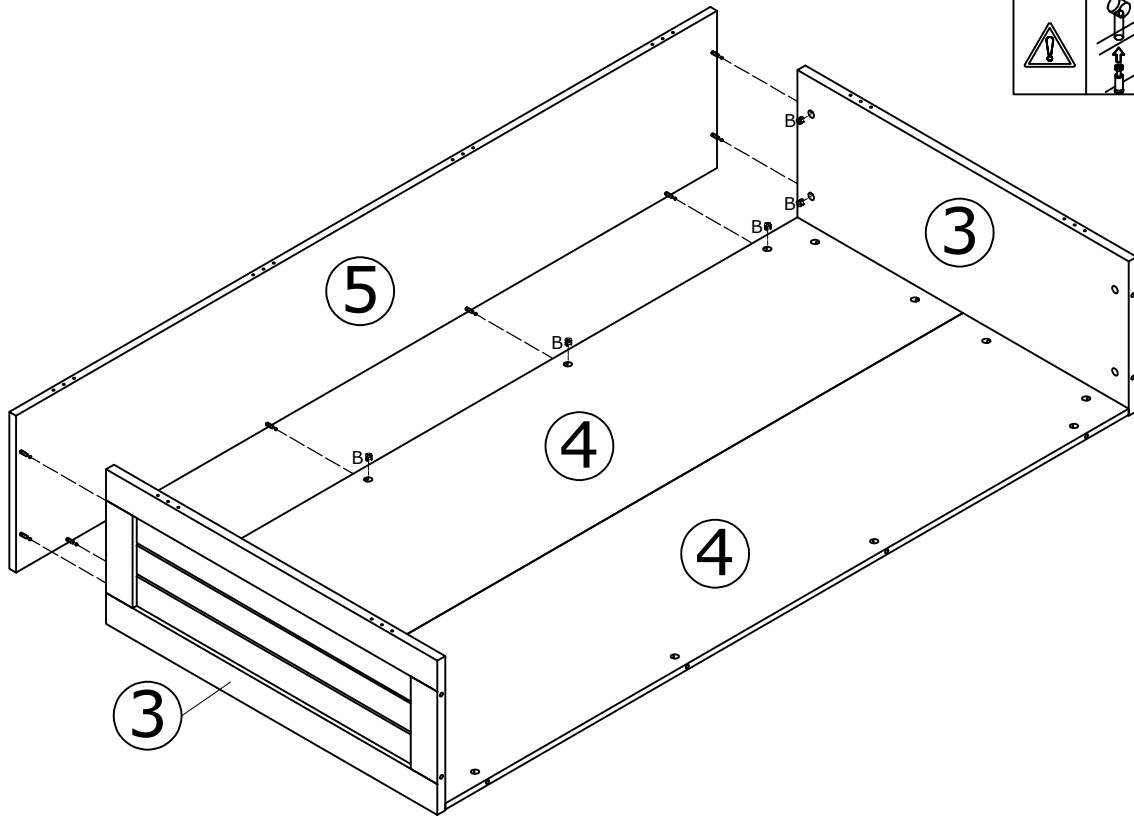
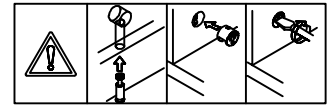
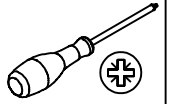


4

B x 8



Ø15 x 10mm

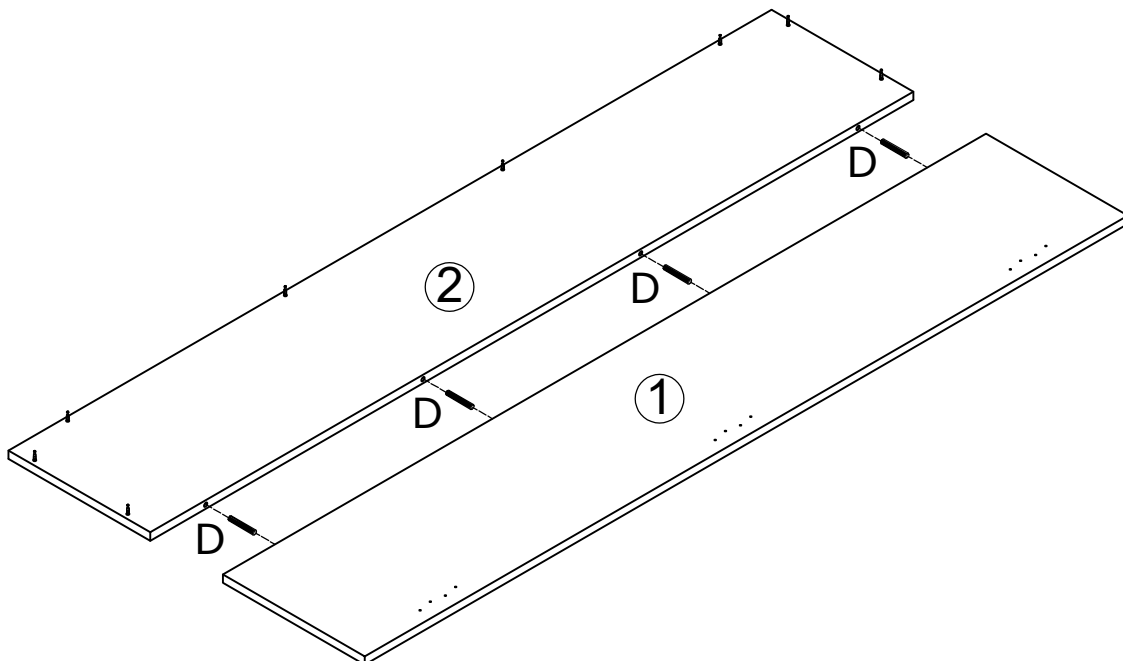
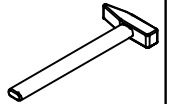
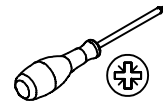


5

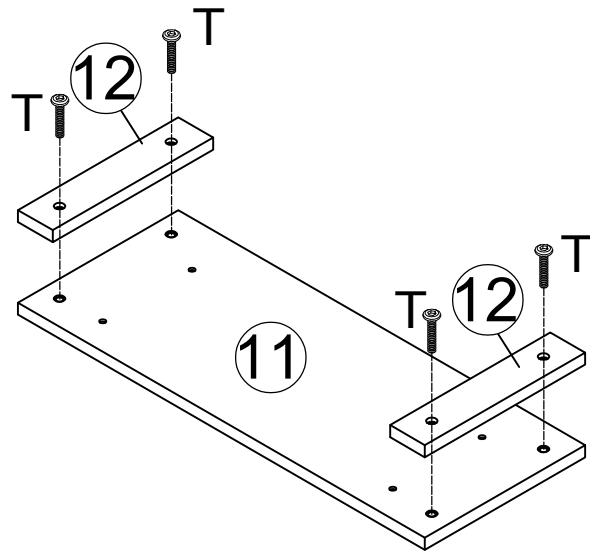
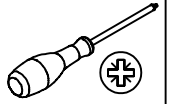
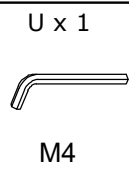
D x 4



Ø8 x 40mm

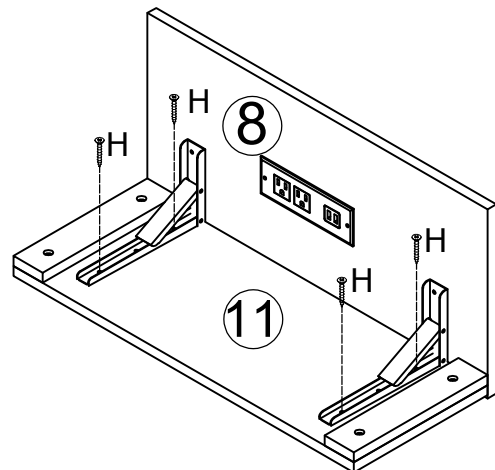
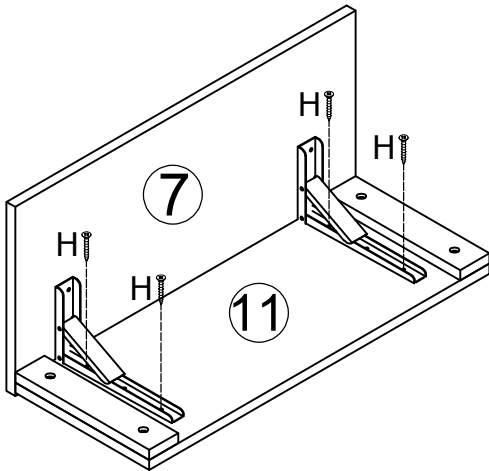
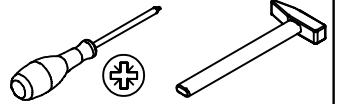
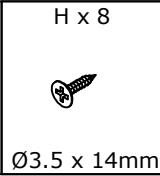


8



x2

9



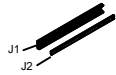
10

H x 8

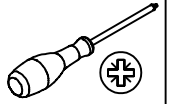


Ø3.5 x 14mm

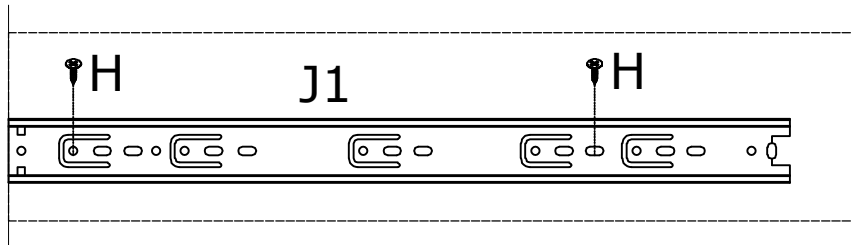
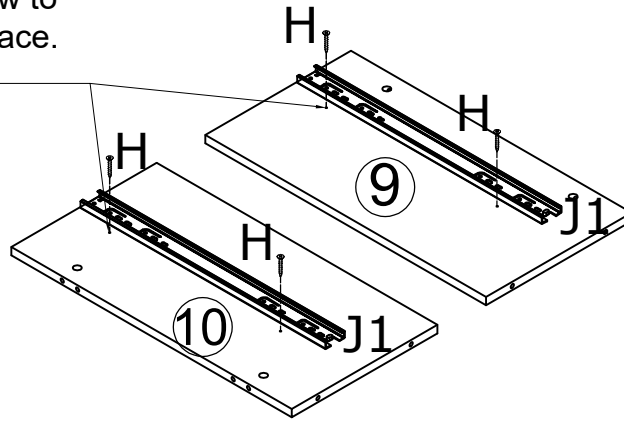
J x 2



500 mm



Start by this drilling the hole,
and then use the screw to
position and secure it in place.

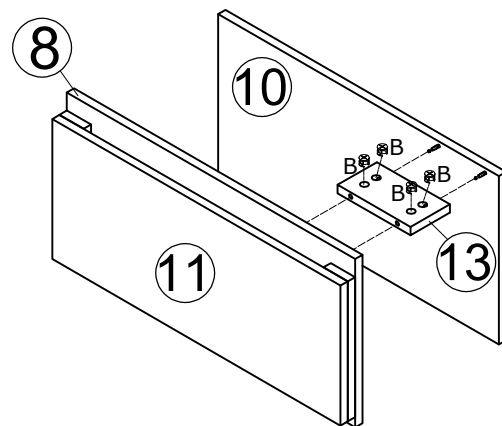
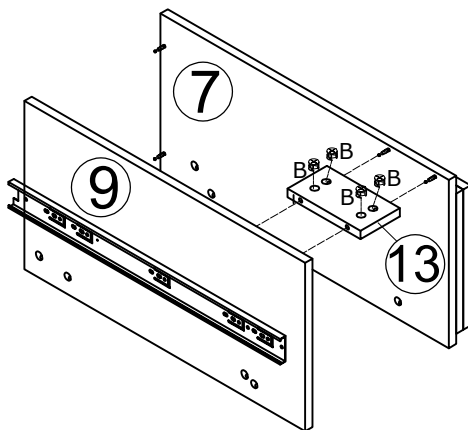
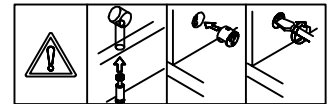
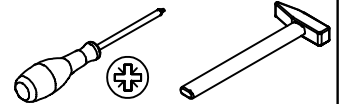


11

B x 8



Ø15 x 10mm

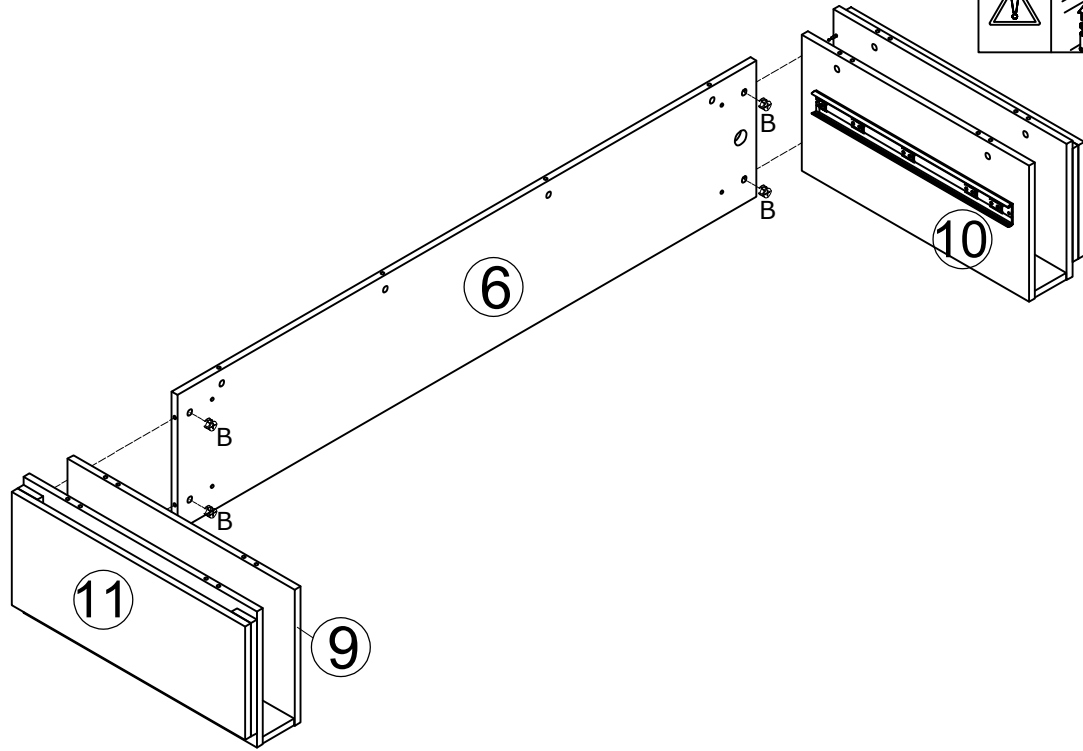
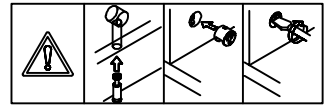
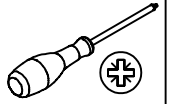


12

B x 4



Ø15 x 10mm

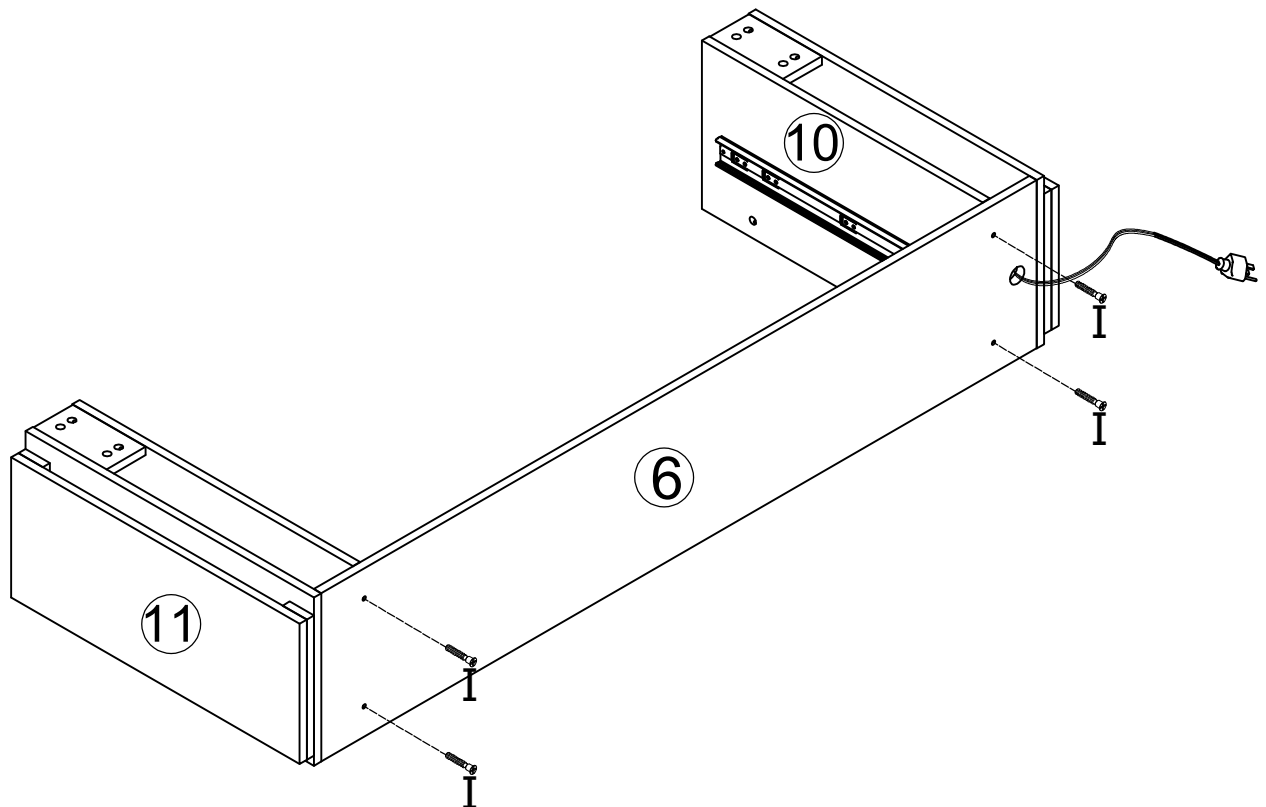
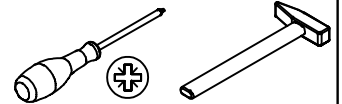


13

I x 4



Ø7 x 38mm



14

B x 12

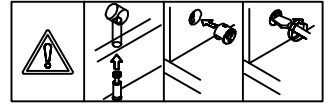
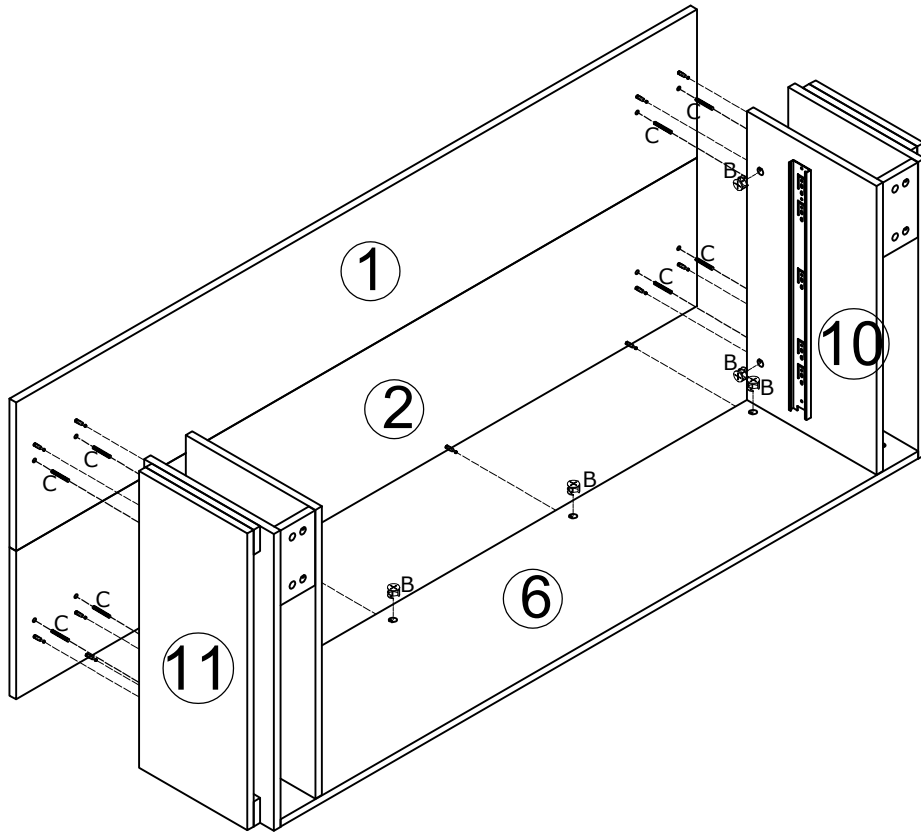
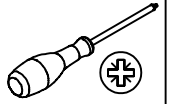


Ø15 x 10mm

C x 8



Ø8 x 30mm

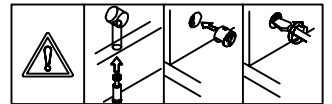
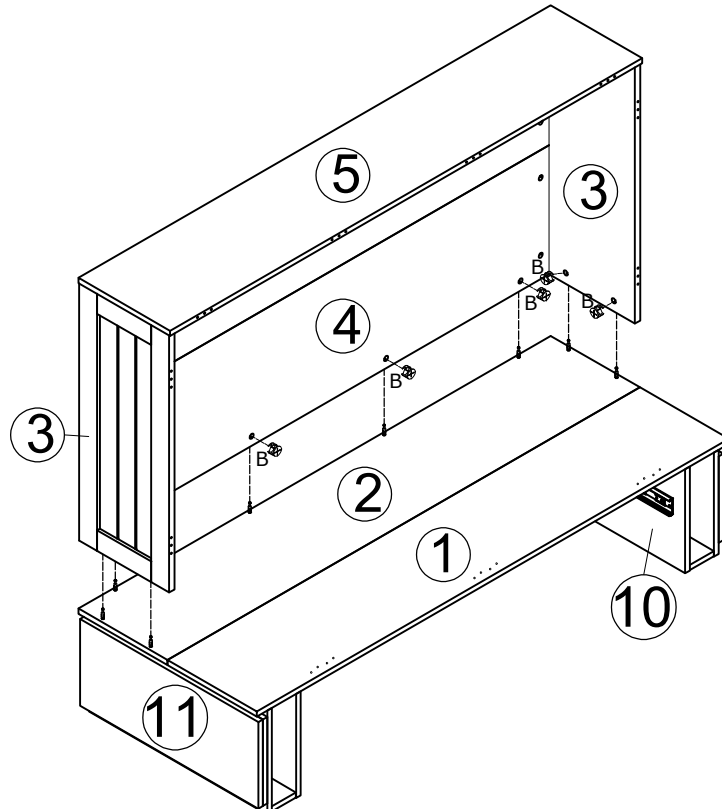
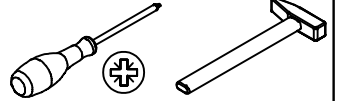


15

B x 8



Ø15 x 10mm



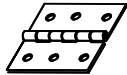
16

H x 24

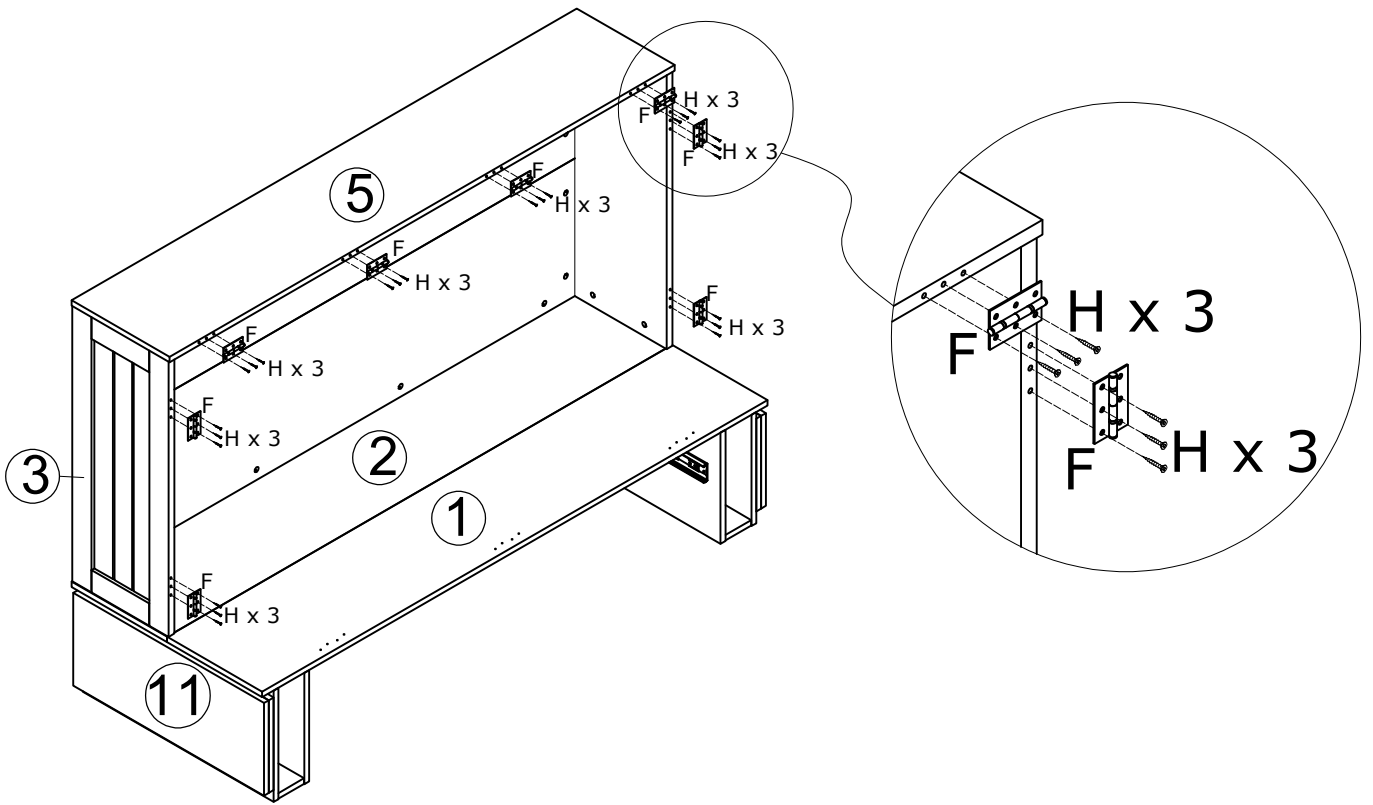
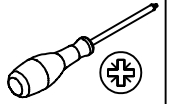


Ø3.5 x 14mm

F x 8



60 x 38mm



17

H x 4

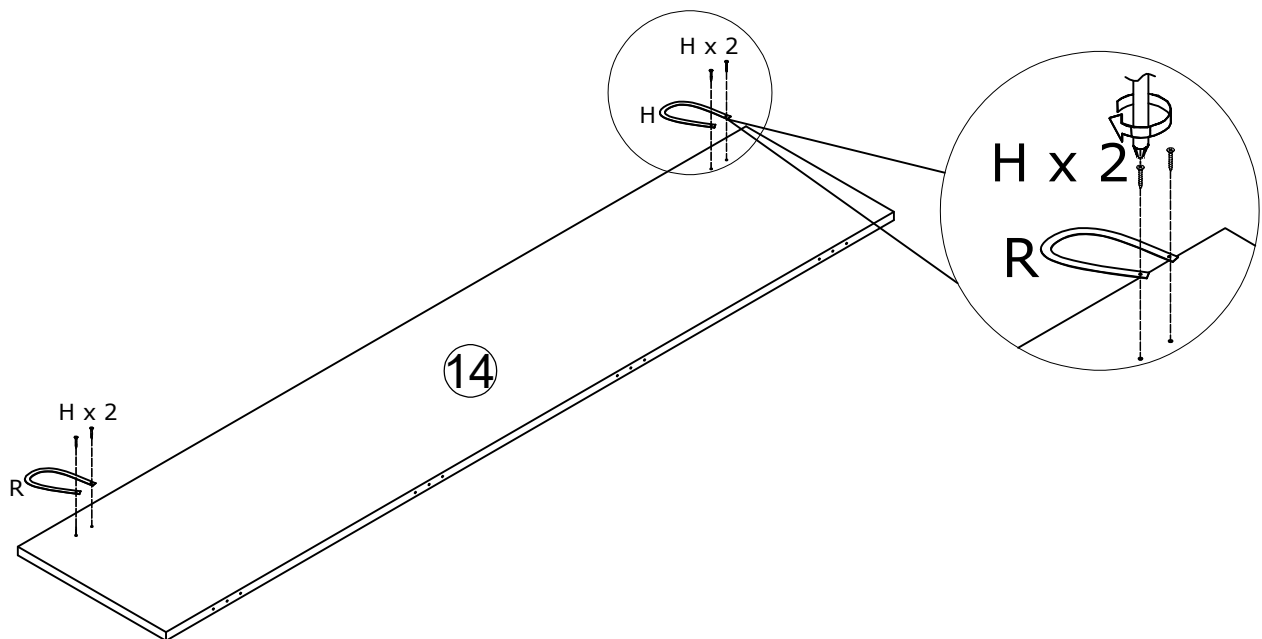
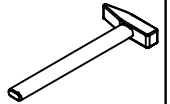
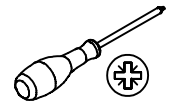


Ø3.5 x 14mm

R x 2



300 x 25mm



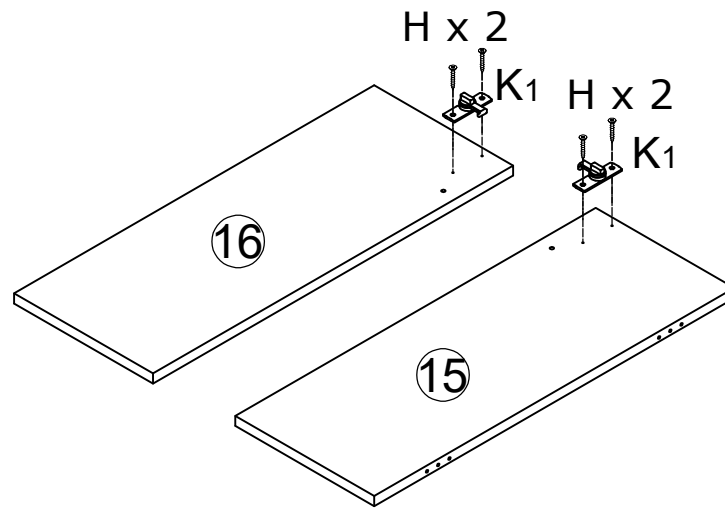
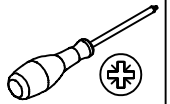
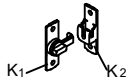
18

H x 8



Ø3.5 x 14mm

K x 2

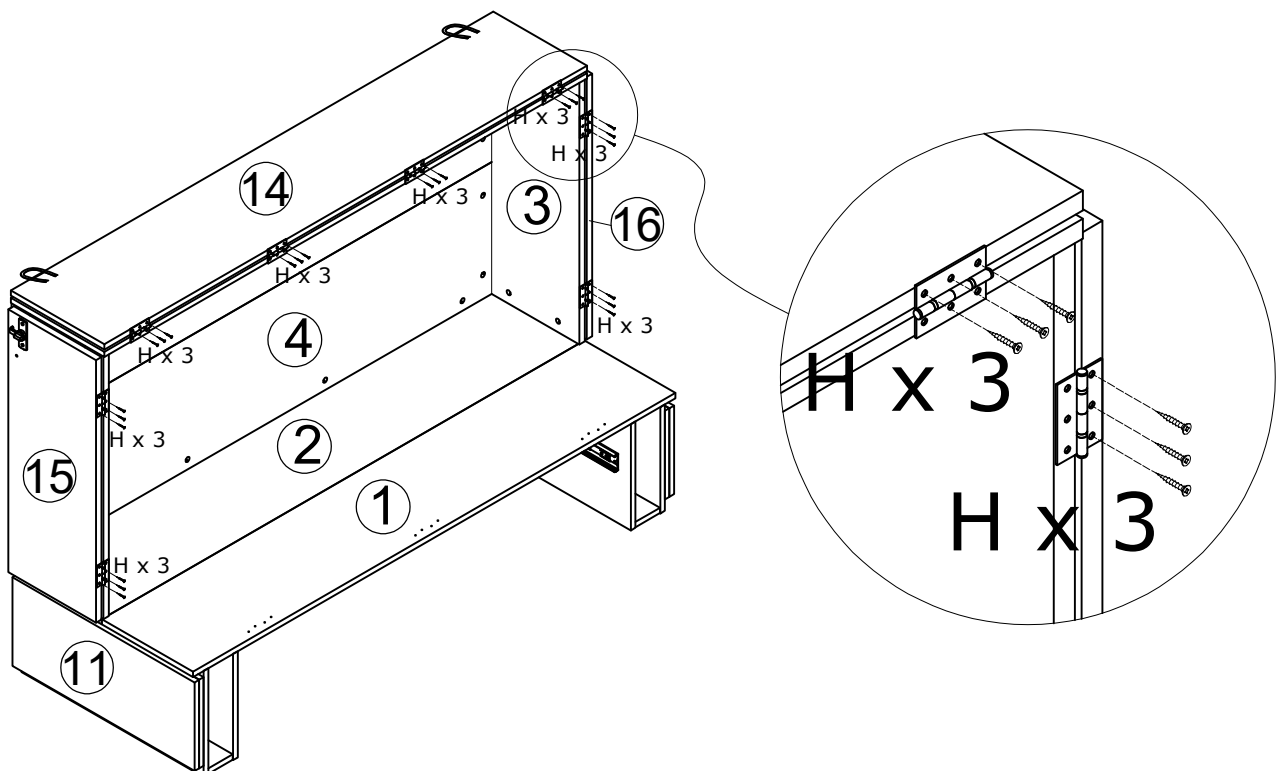
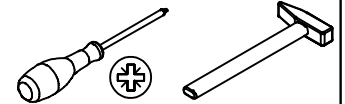


19

H x 24



Ø3.5 x 14mm



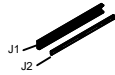
20

H x 4

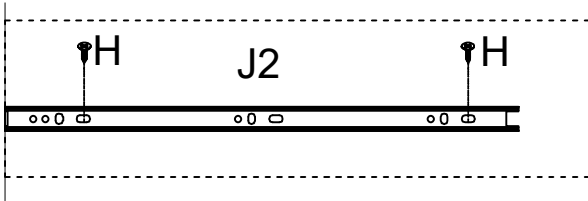
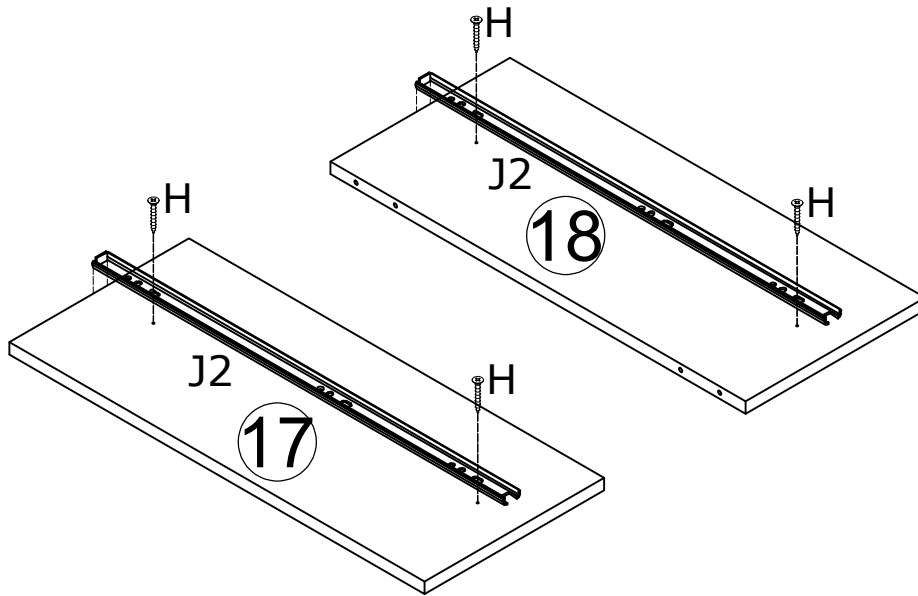
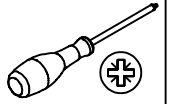


Ø3.5 x 14mm

J x 2



500 mm



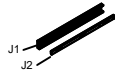
21

H x 4

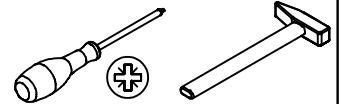


Ø3.5 x 14mm

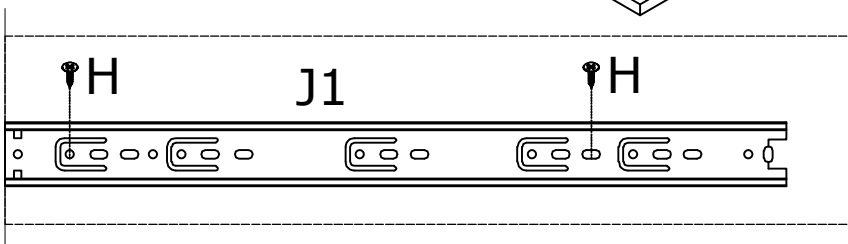
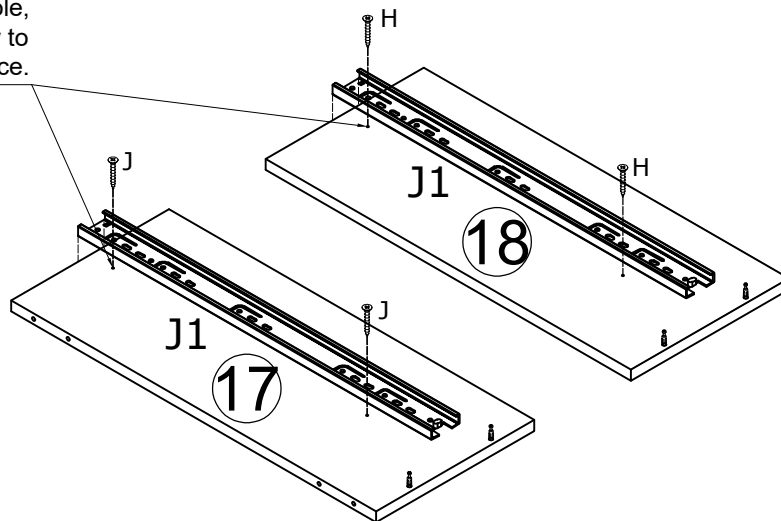
J x 2



500 mm



Start by this drilling the hole,
and then use the screw to
position and secure it in place.

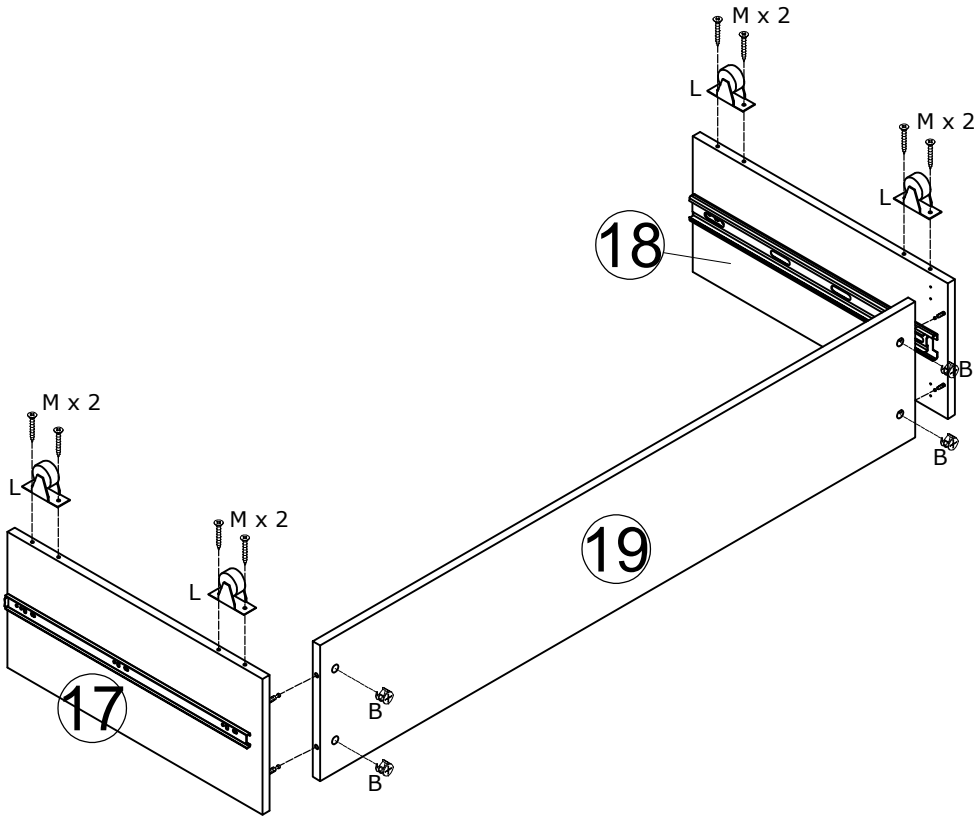
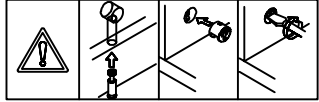
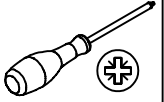


22

B x 4
Ø15 x 10mm

L x 4
H52mm

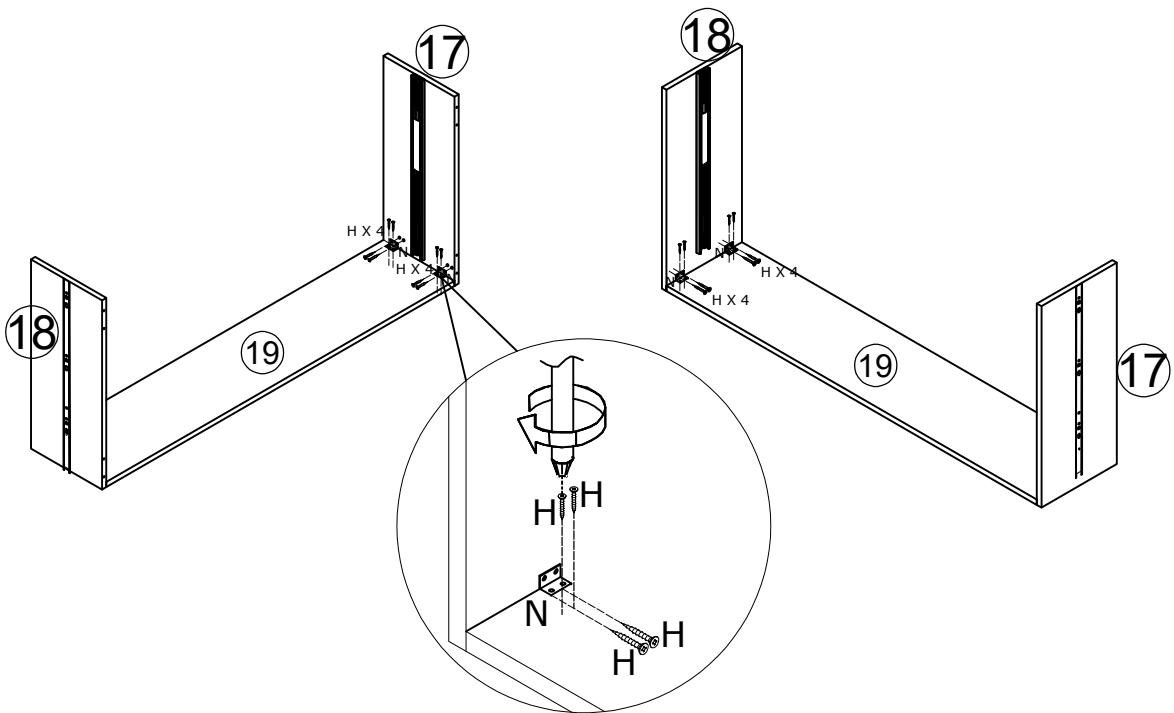
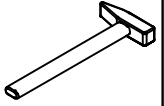
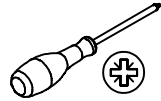
M x 8
Ø3.5 x 25mm



23

H x 4
Ø3.5 x 14mm

N x 4
25 x 15 x 15mm



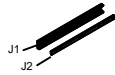
24

H x 4

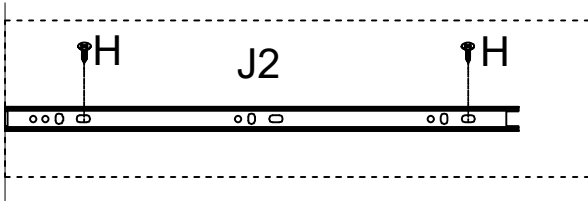
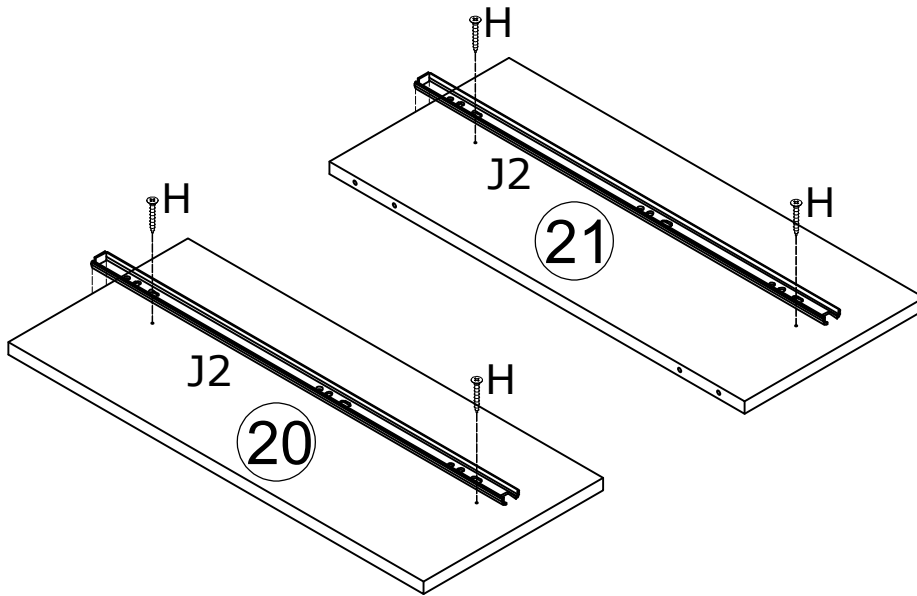
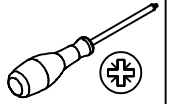


Ø3.5 x 14mm

J x 2



500 mm



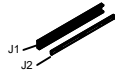
25

H x 4

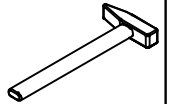
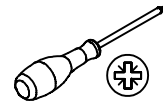


Ø3.5 x 14mm

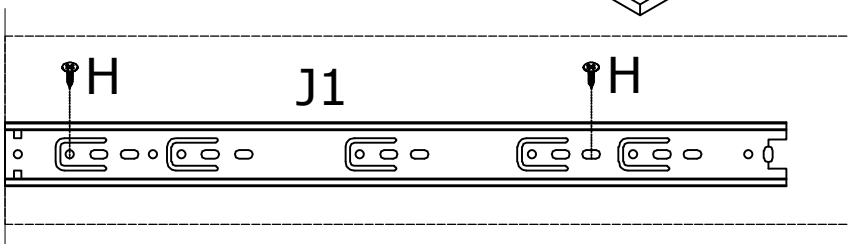
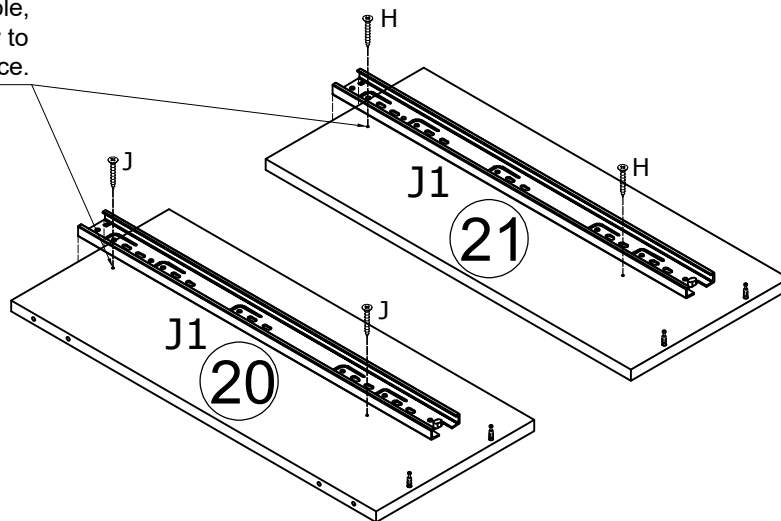
J x 2



500 mm



Start by this drilling the hole,
and then use the screw to
position and secure it in place.



26

B x 4



Ø15 x 10mm

L x 4

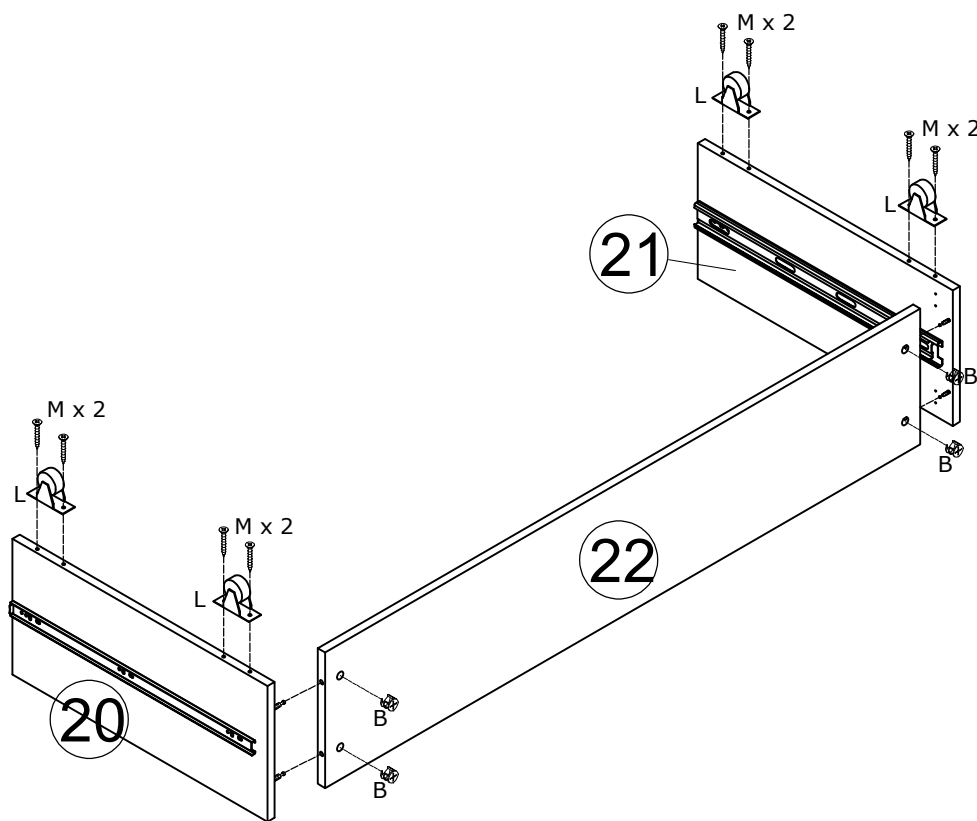
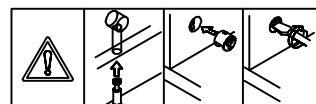


H52mm

M x 8



Ø3.5 x 25mm



27

H x 4

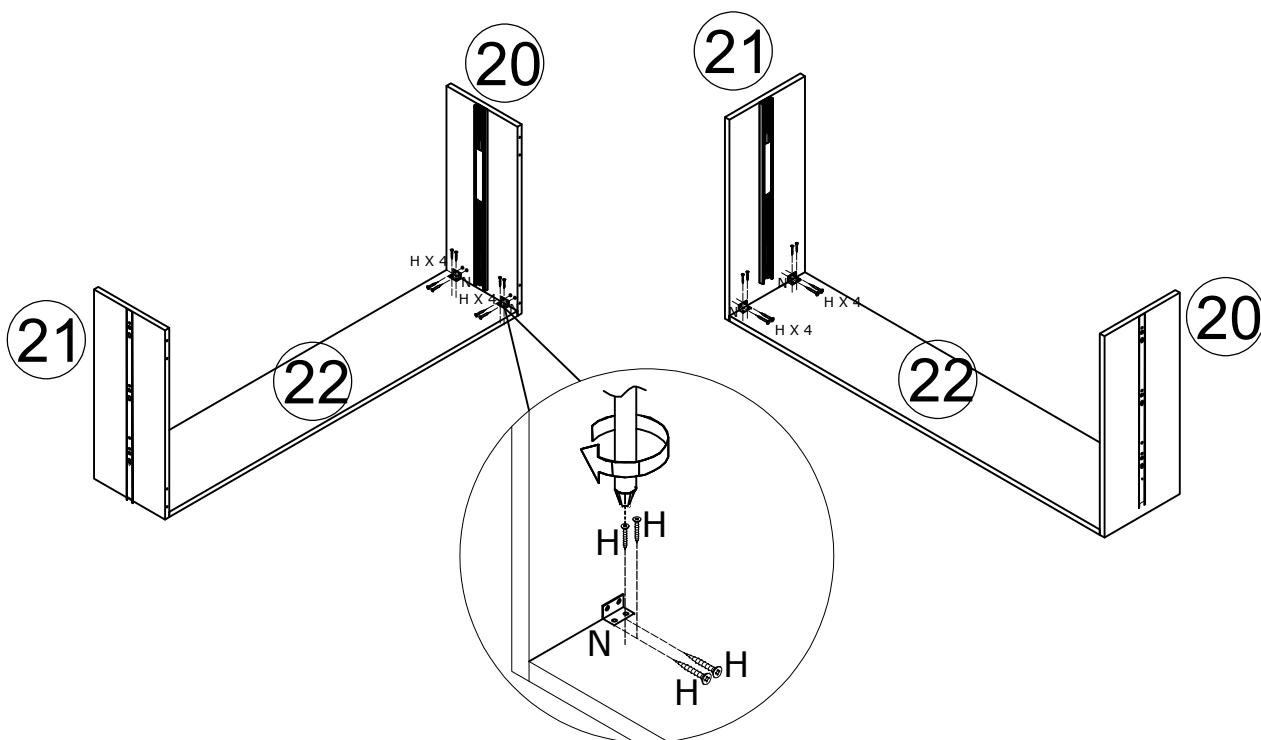
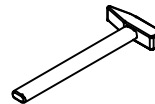
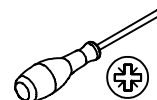


Ø3.5 x 14mm

N x 4



25 x 15 x 15mm

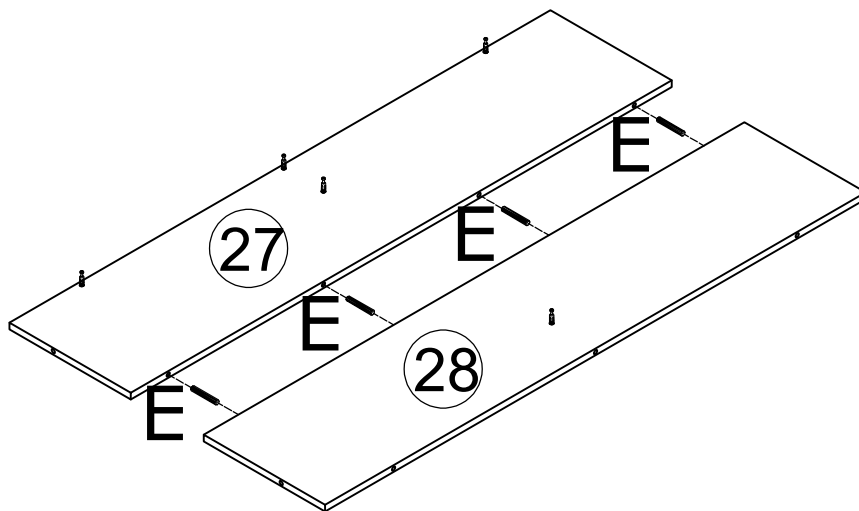
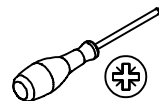


28

E x 4



Ø6 x 40mm

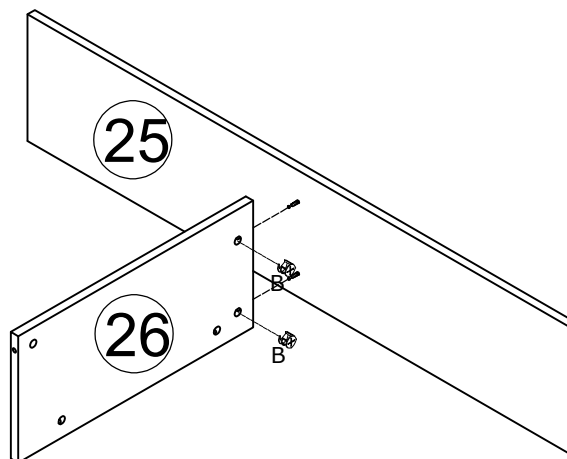
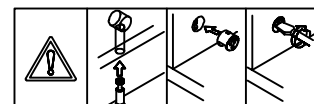
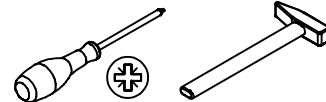


29

B x 2



Ø15 x 10mm

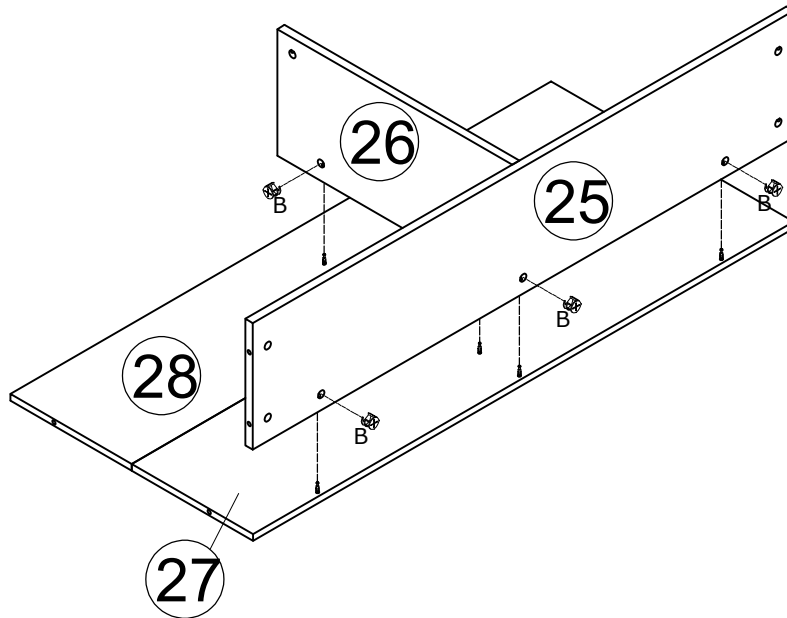
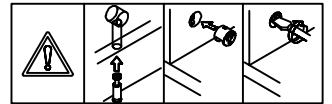
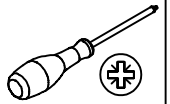


30

B x 5



Ø15 x 10mm



31

H x 4

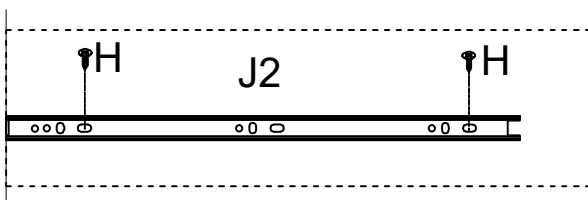
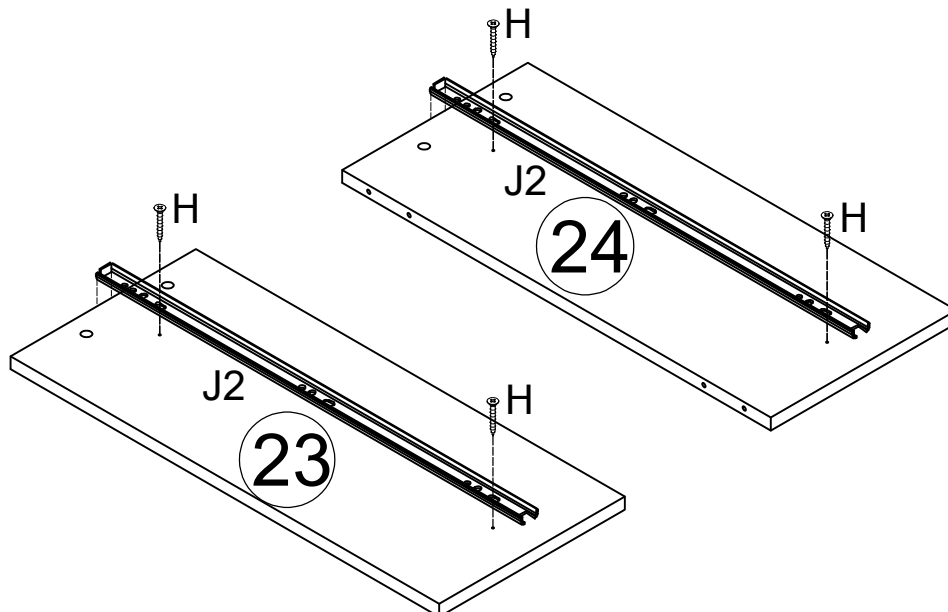
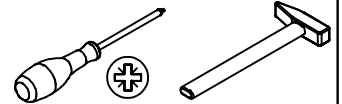


Ø3.5 x 14mm

J x 2



500 mm

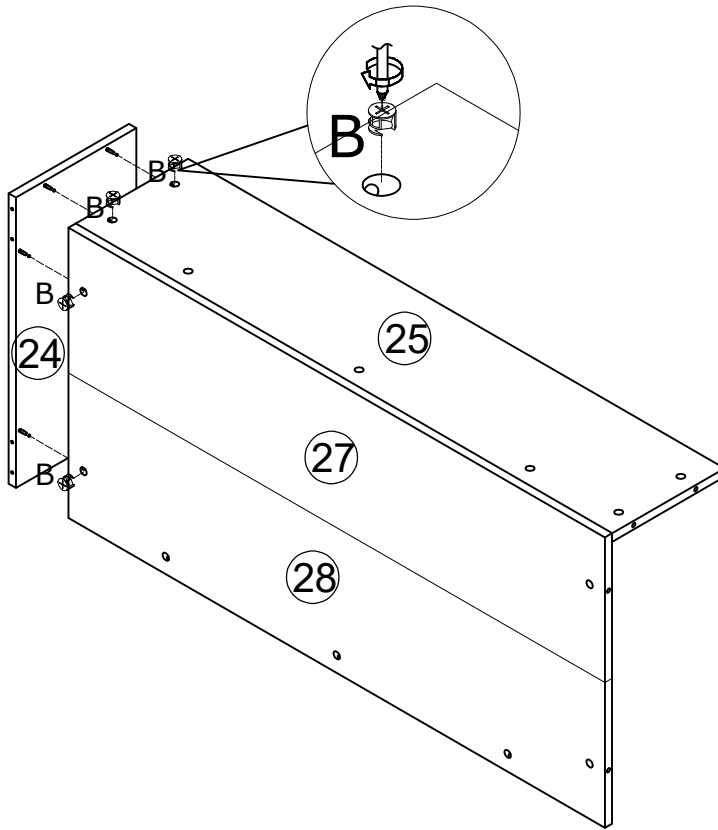
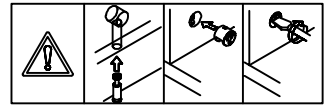
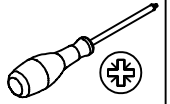


32

B x 4



Ø15 x 10mm

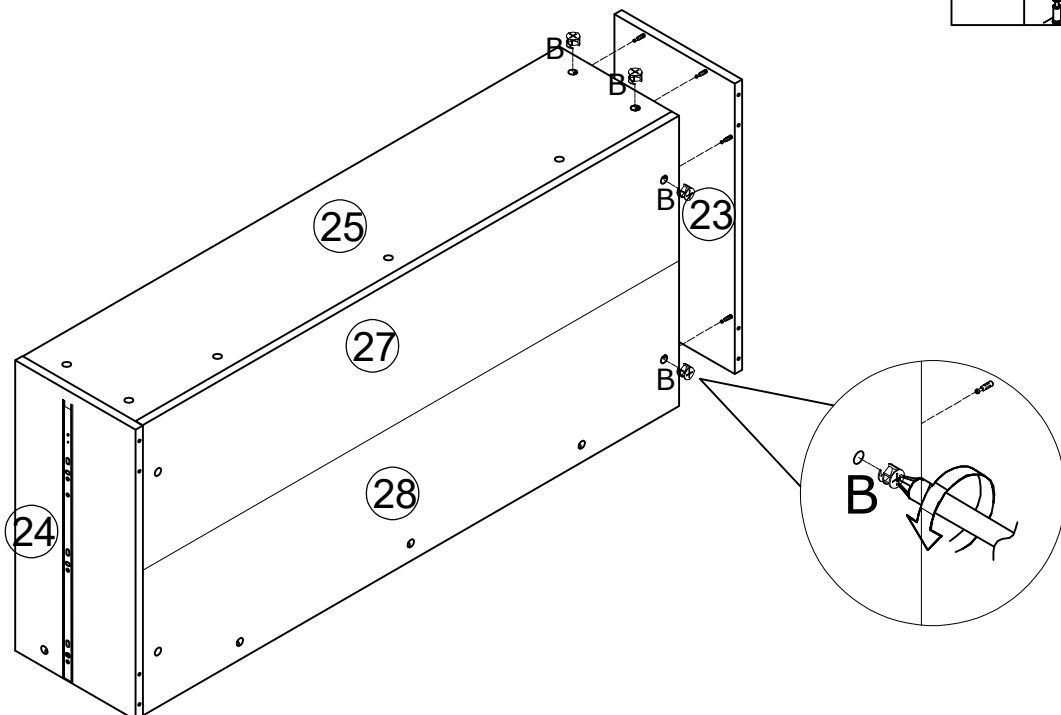
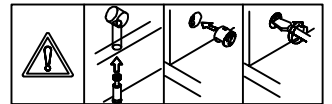
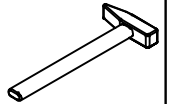
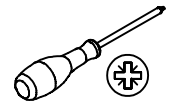


33

B x 4



Ø15 x 10mm

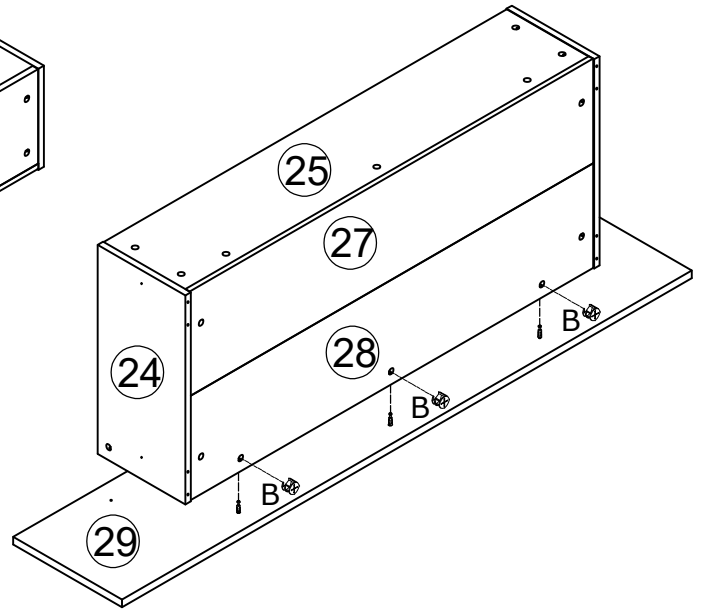
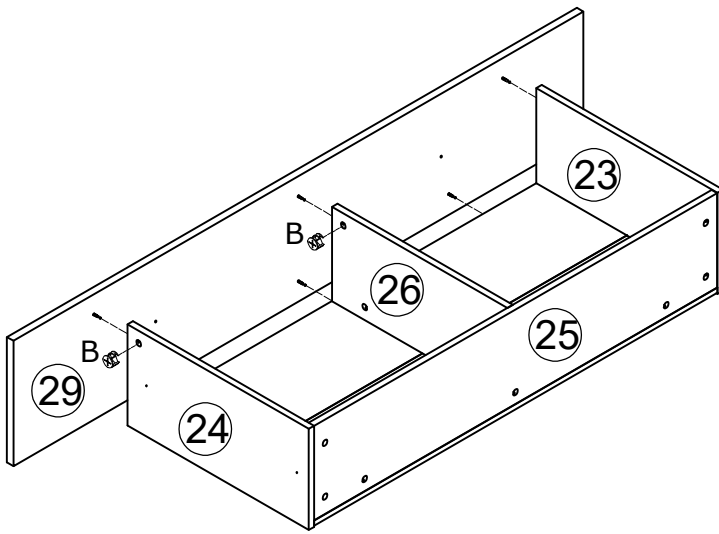
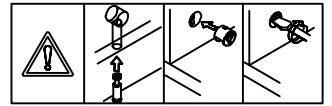
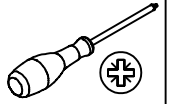


34

B x 6



Ø15 x 10mm



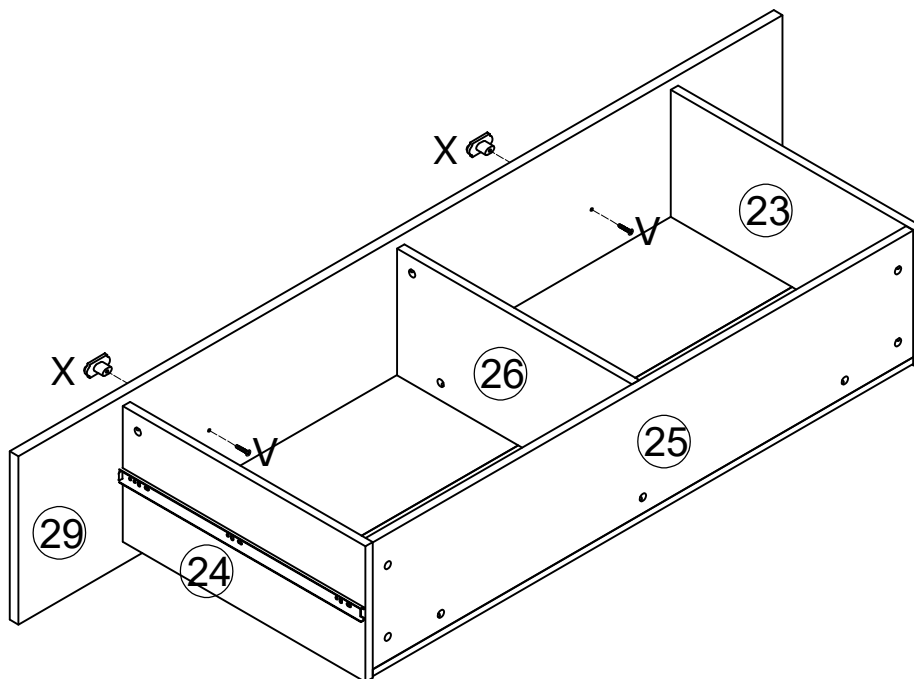
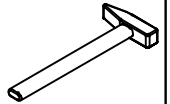
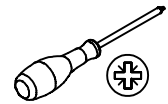
35

V x 2



Ø4 x 14mm

X x 2



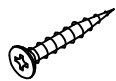
36

L x 4

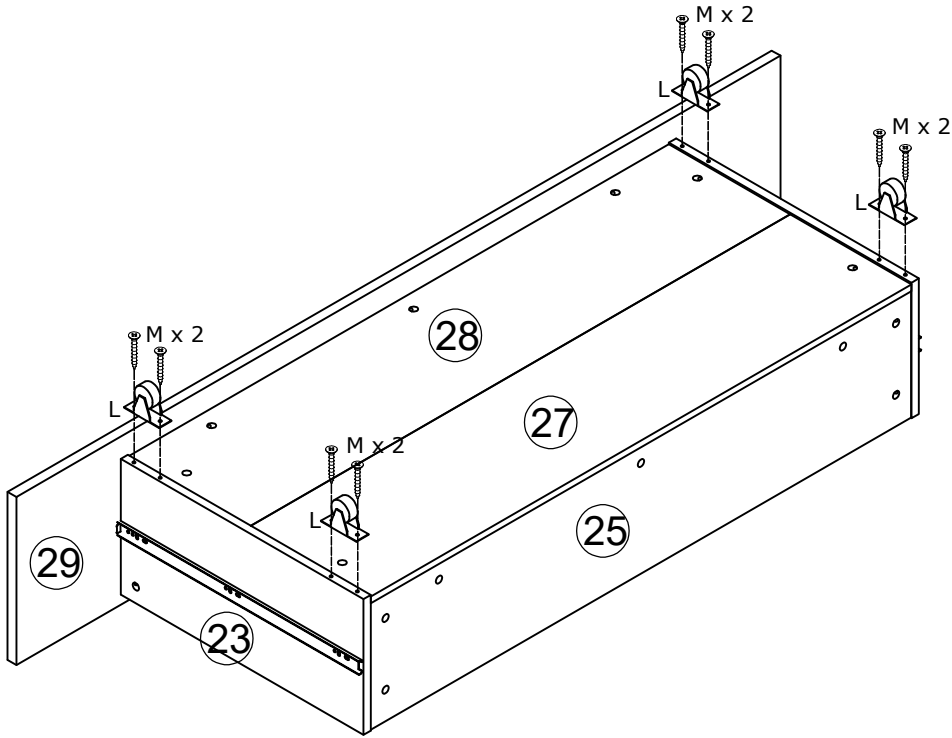
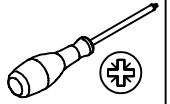


H52mm

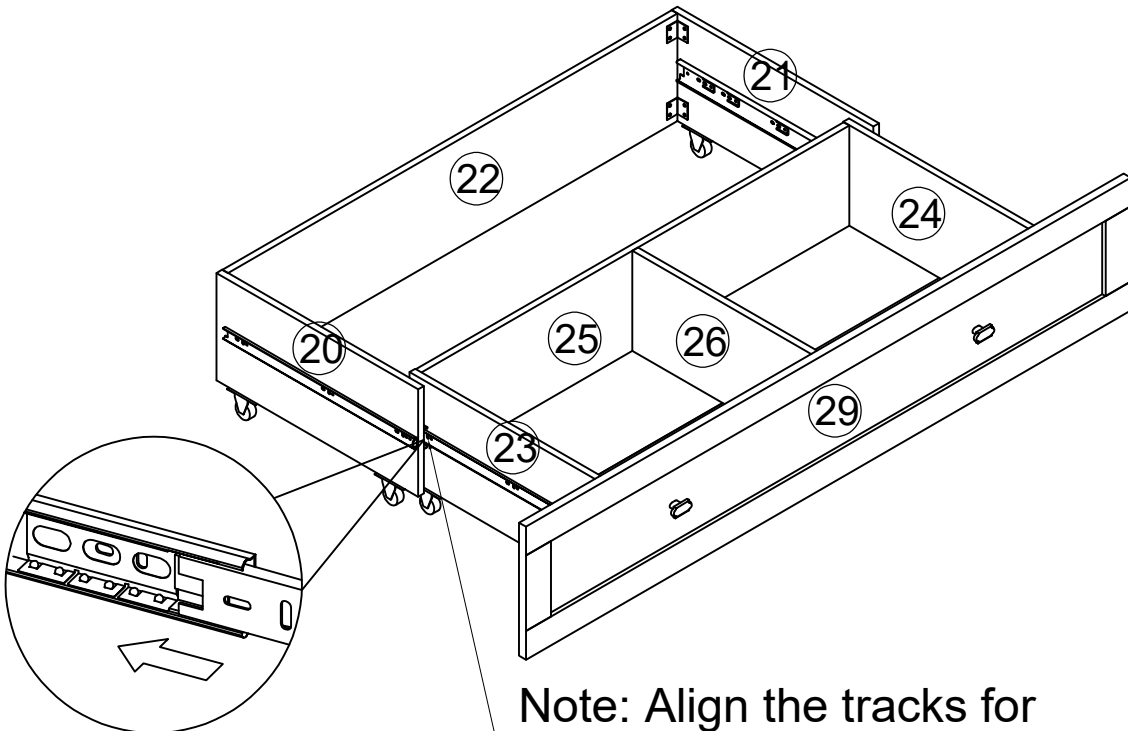
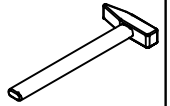
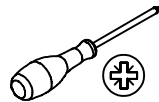
M x 8



Ø3.5 x 25mm

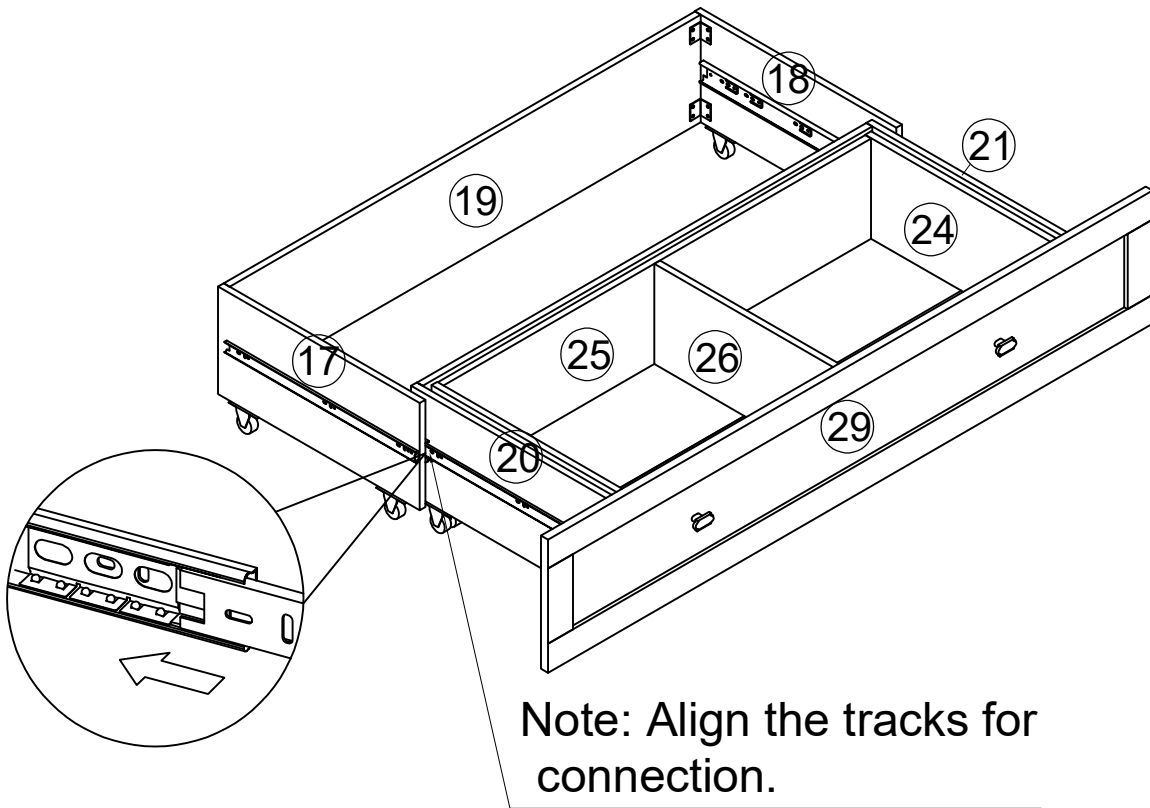
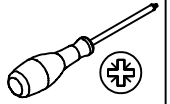


37



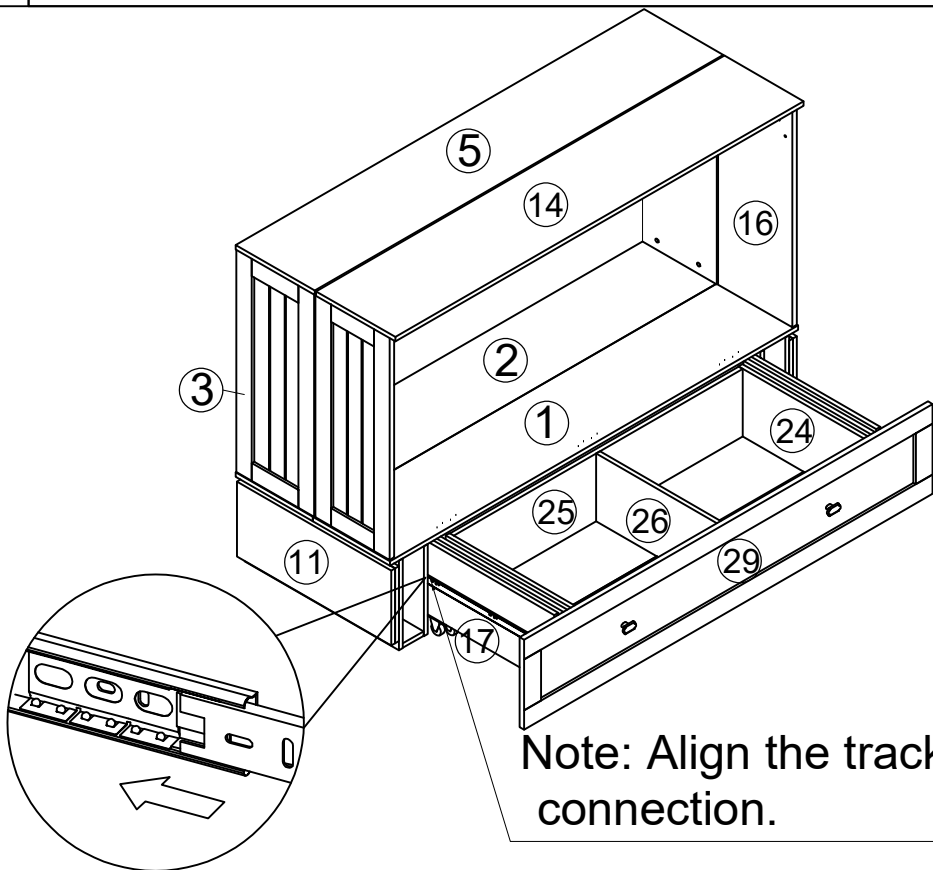
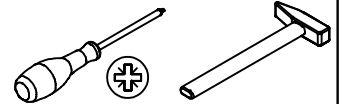
Note: Align the tracks for connection.

38



Note: Align the tracks for connection.

39



Note: Align the tracks for connection.

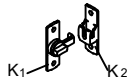
40

H x 24



Ø3.5 x 14mm

K x 2



Q x 2



37 X 36 X 17mm

D x 5

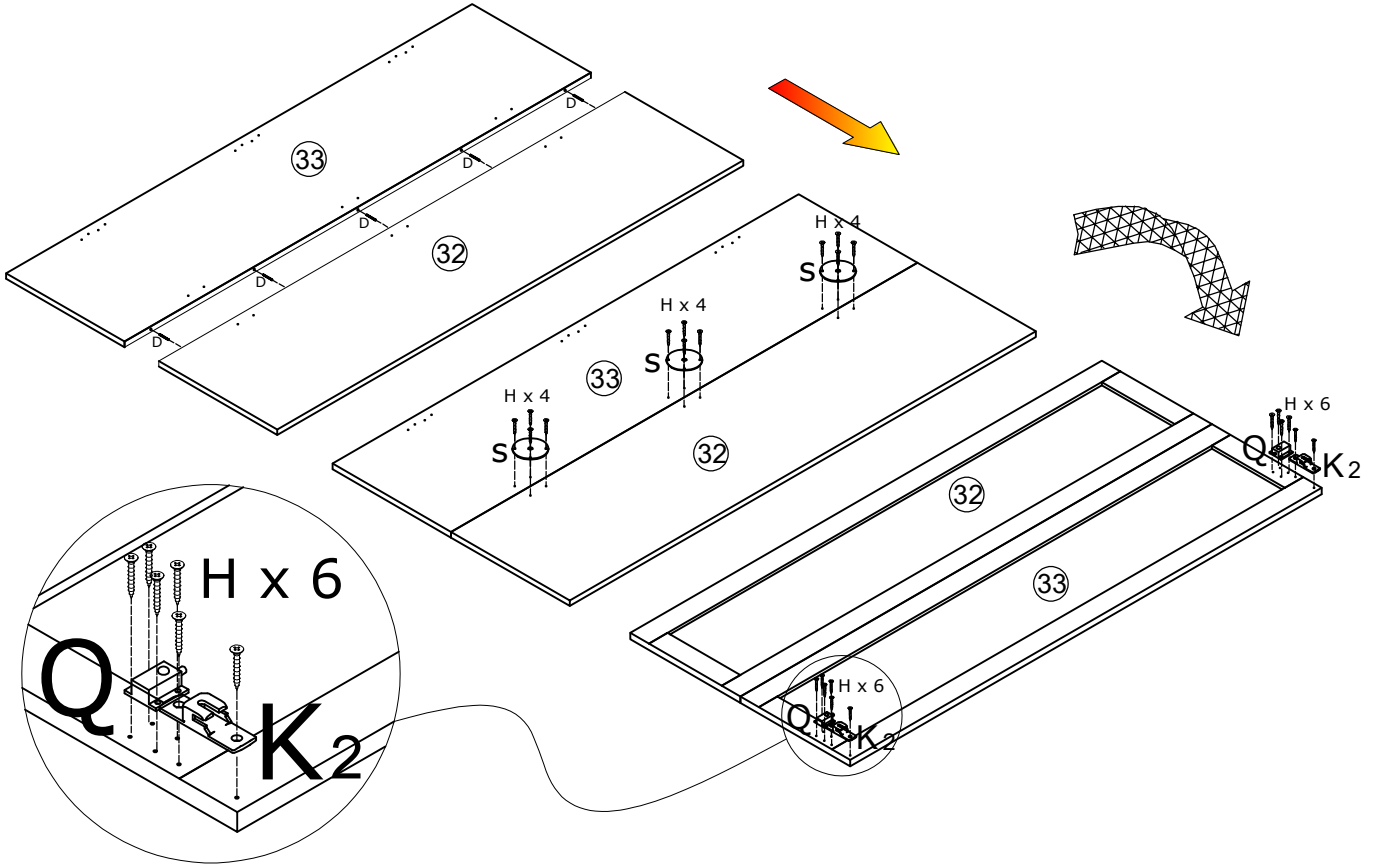
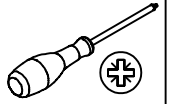


Ø8 x 40mm

S x 3



Ø80 x 2mm



41

w x 4

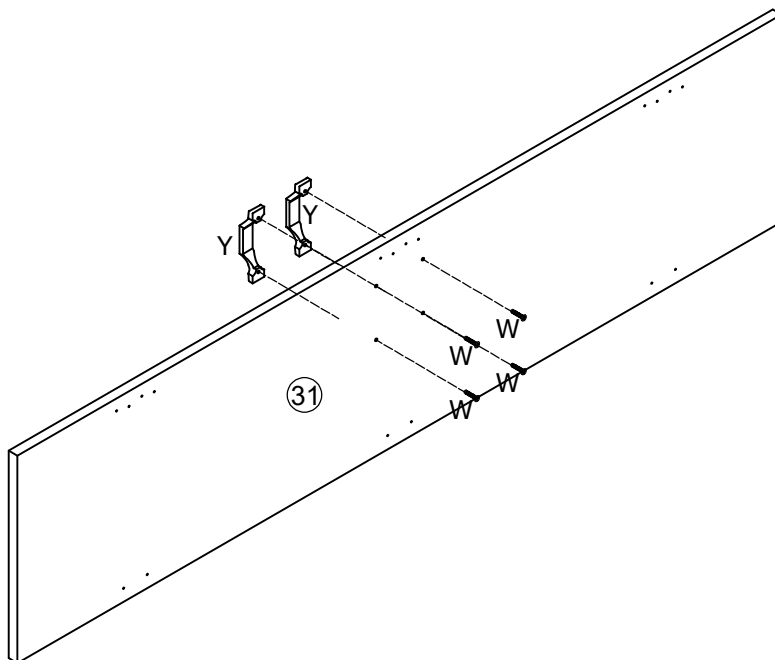
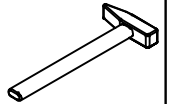
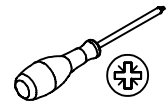


Ø4 x 22mm

Y x 2



96mm



42

D x 5



Ø8 x 40mm

H x 12

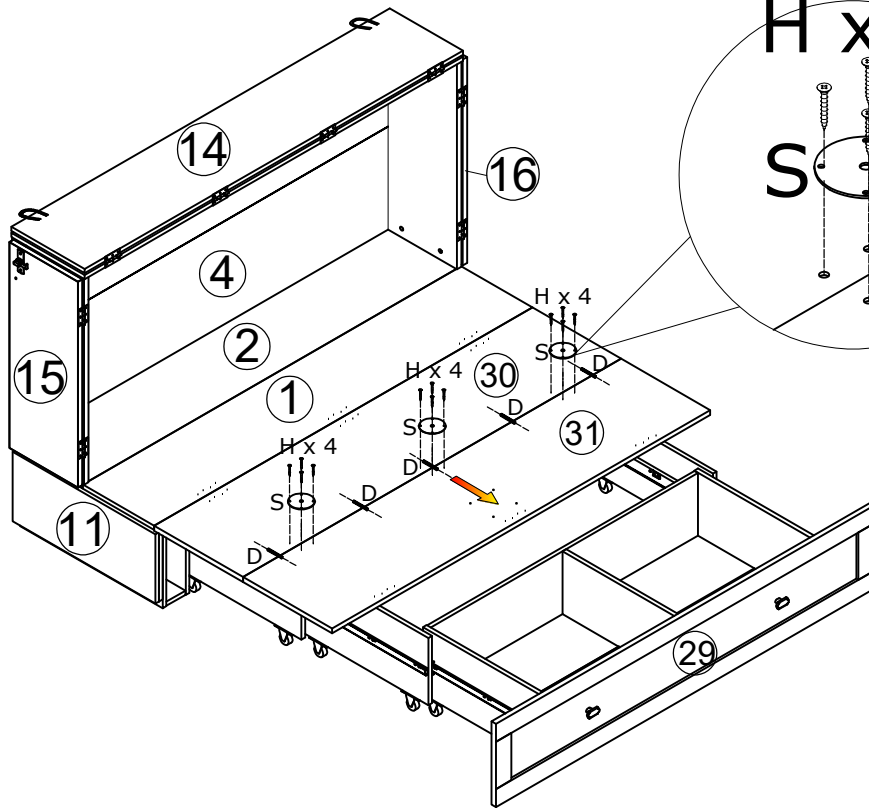
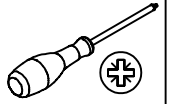


Ø3.5 x 14mm

S x 3



Ø80 x 2mm



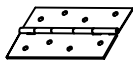
43

H x 48

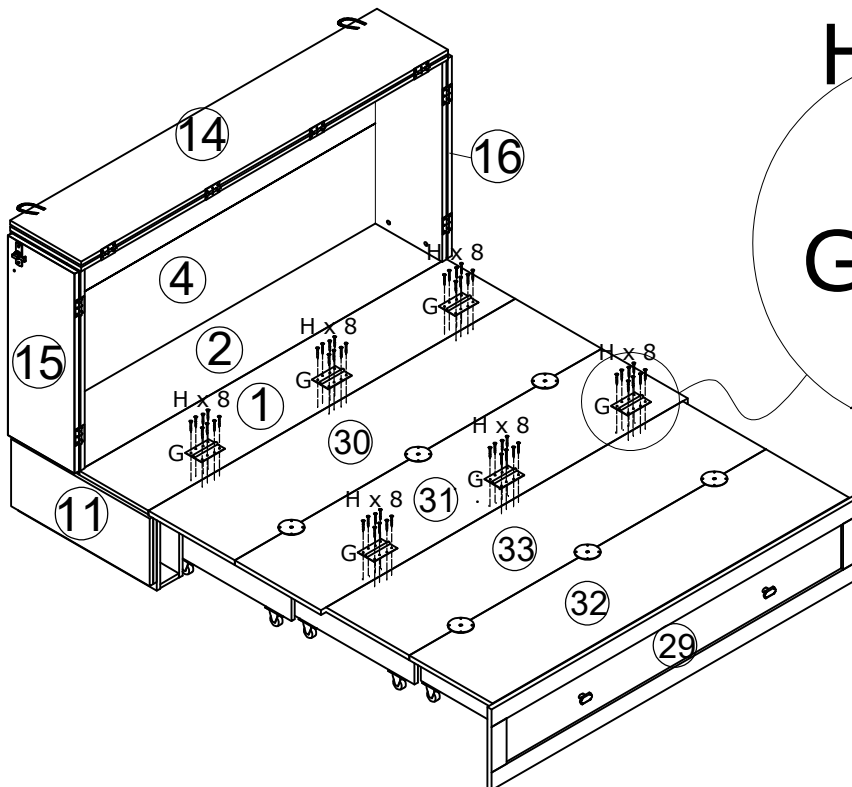
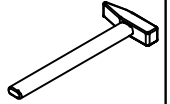
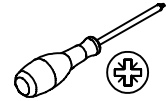


Ø3.5 x 14mm

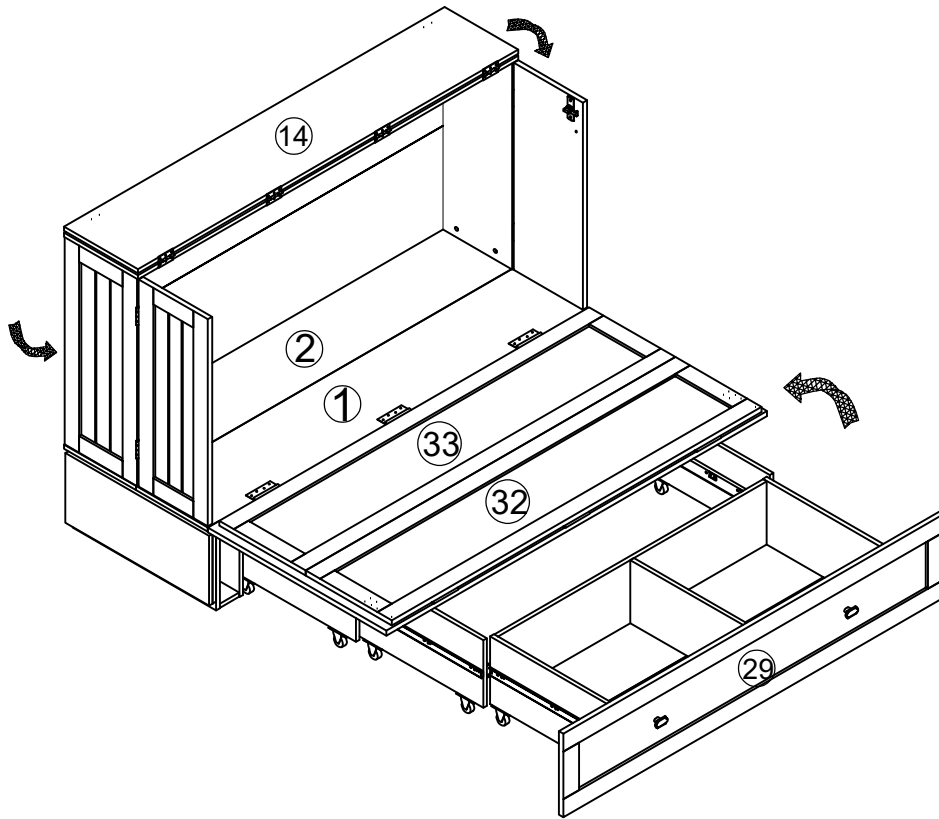
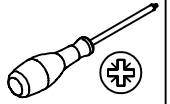
G x 6



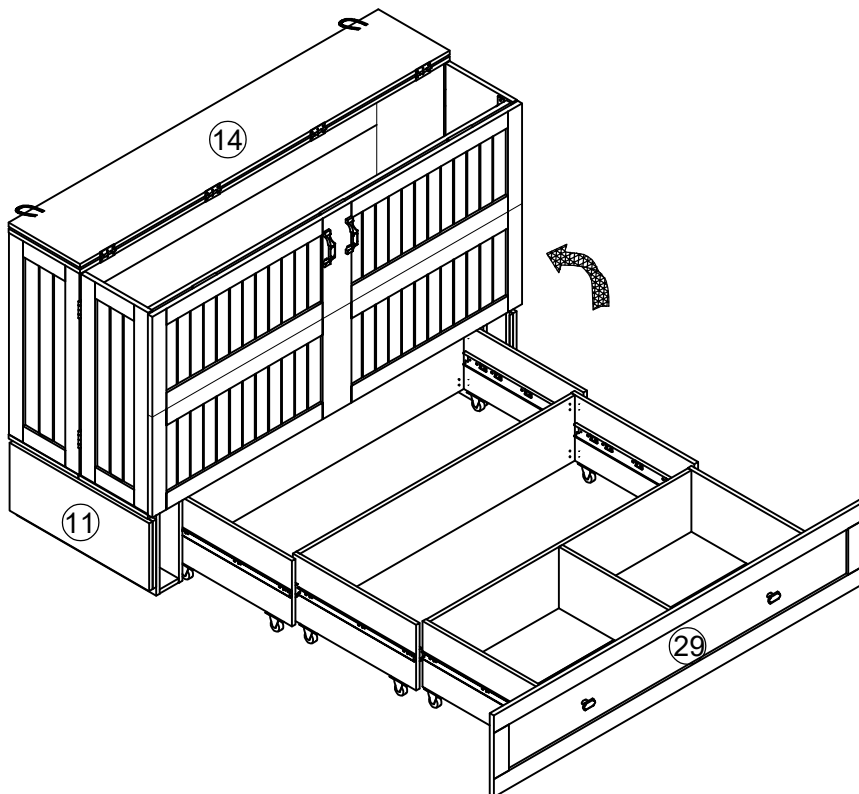
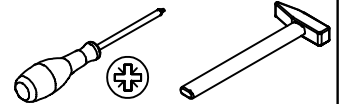
100 x 70mm



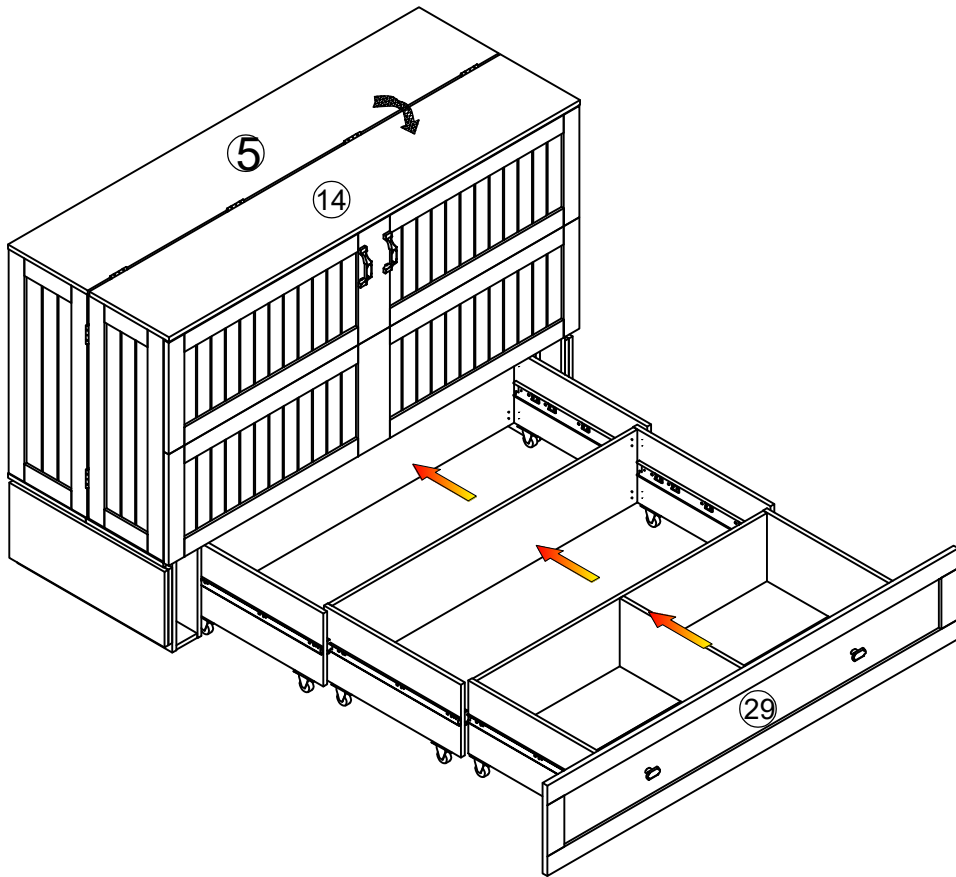
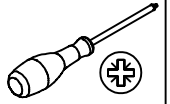
44



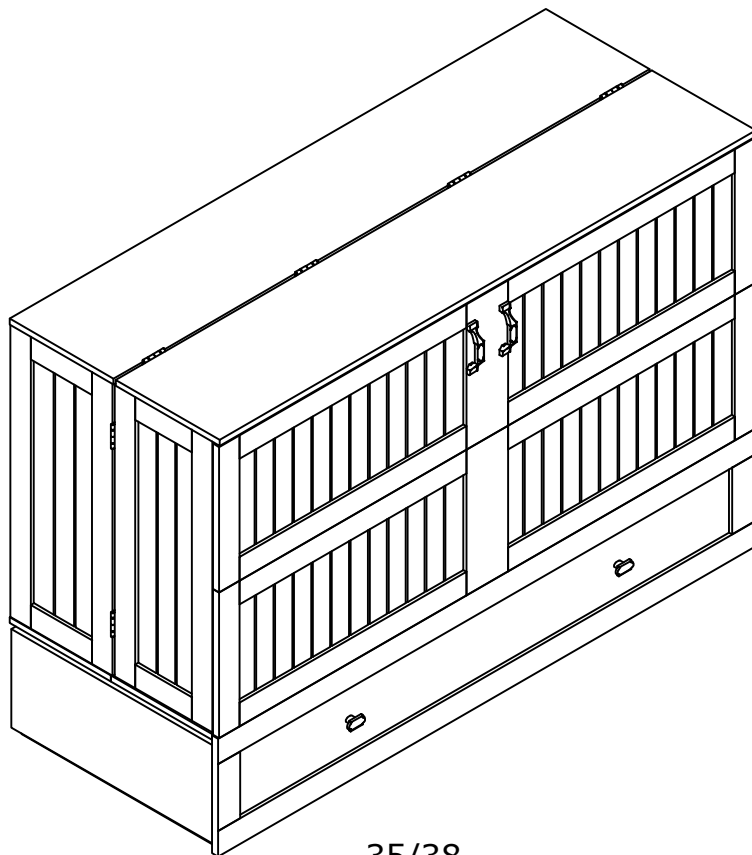
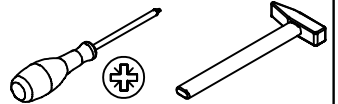
45



46



47

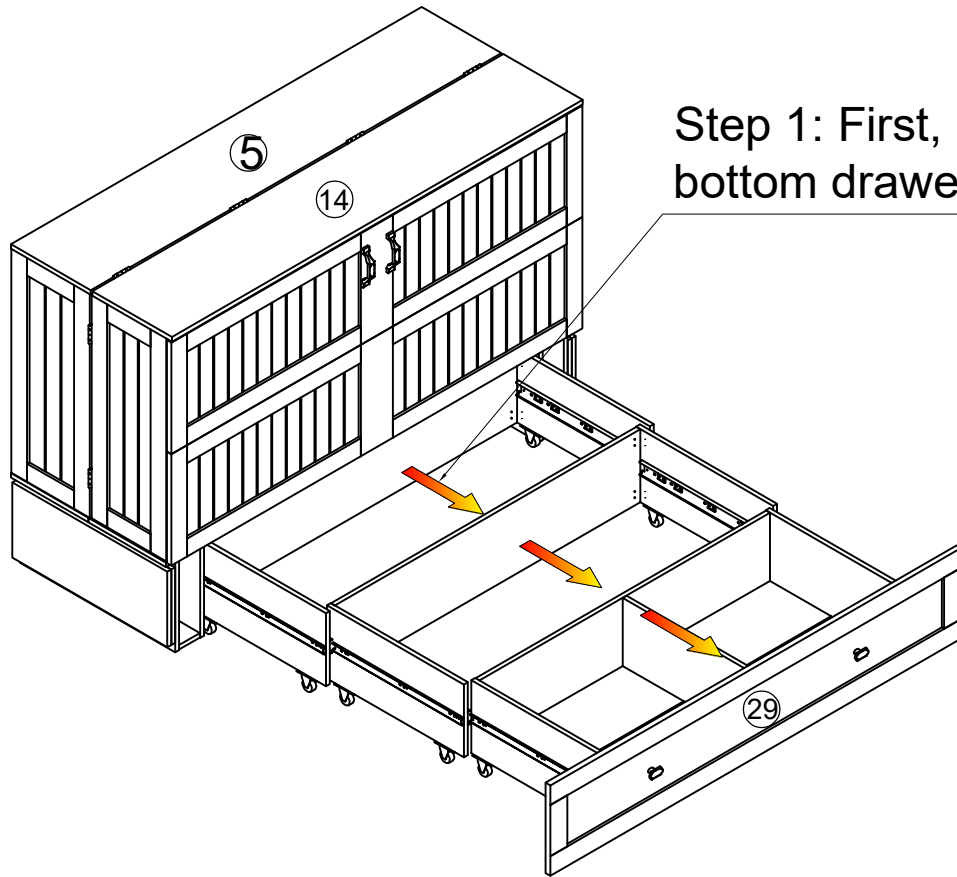
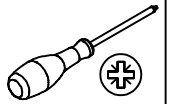


35/38

OK

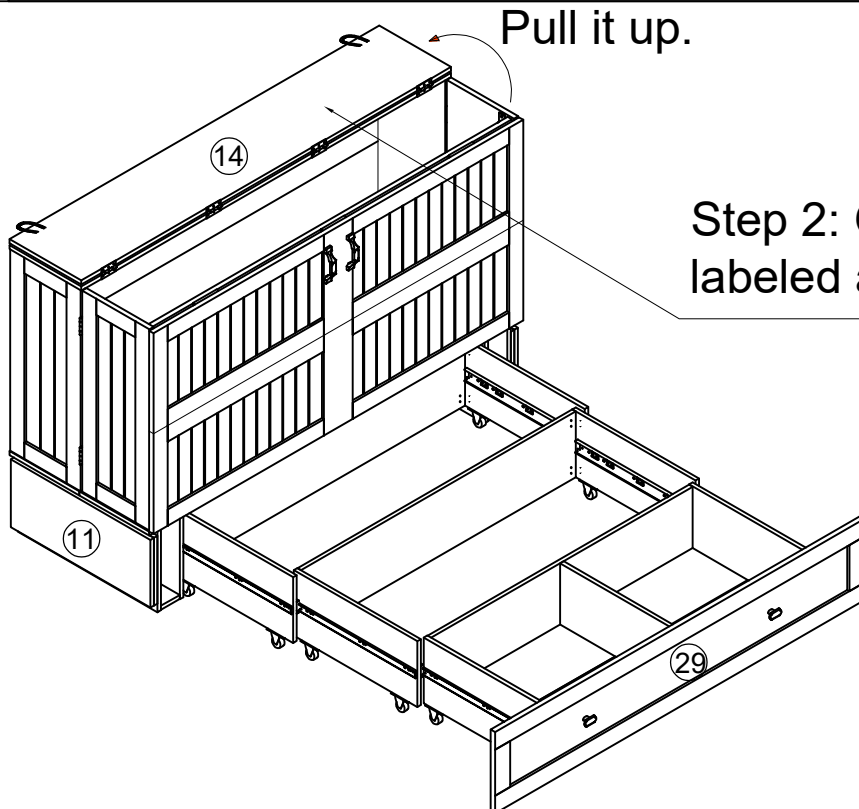
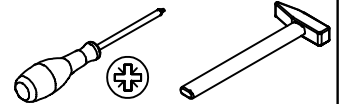
48

Instructions for use



Step 1: First, pull out the bottom drawer.

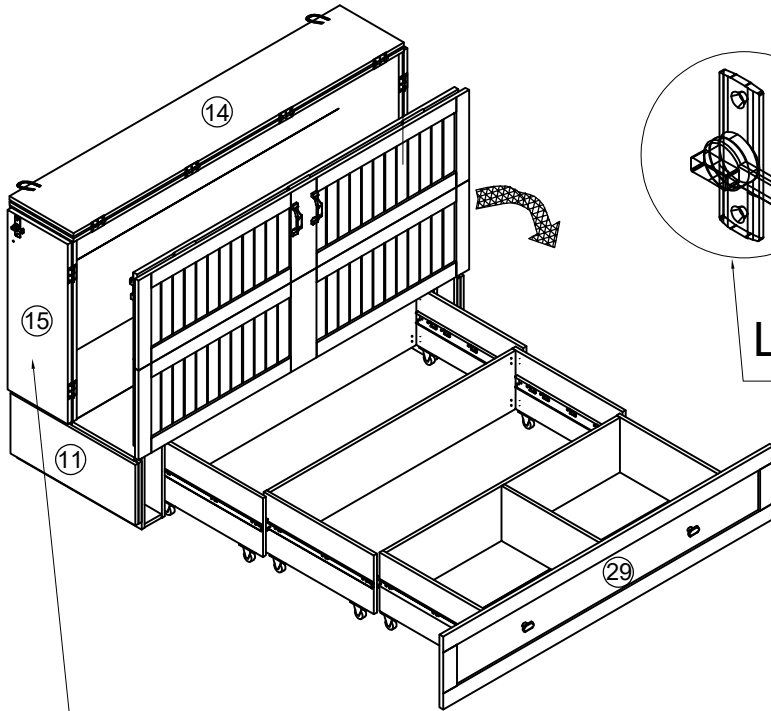
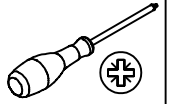
49



Pull it up.

Step 2: Open the top cover, labeled as (14).

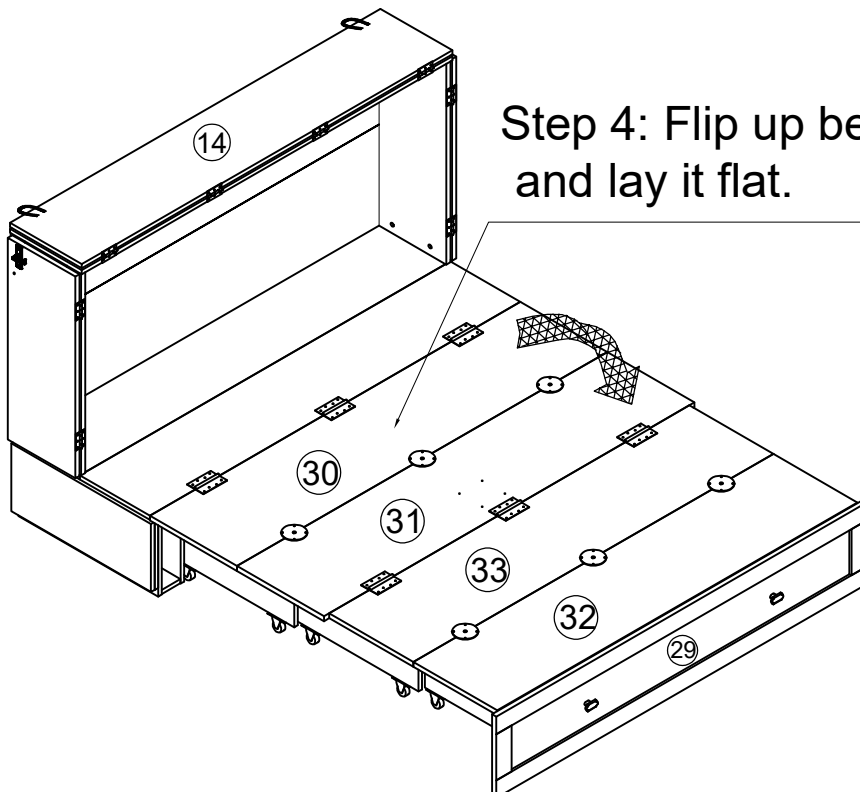
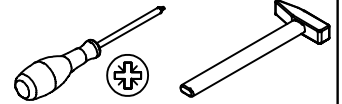
50



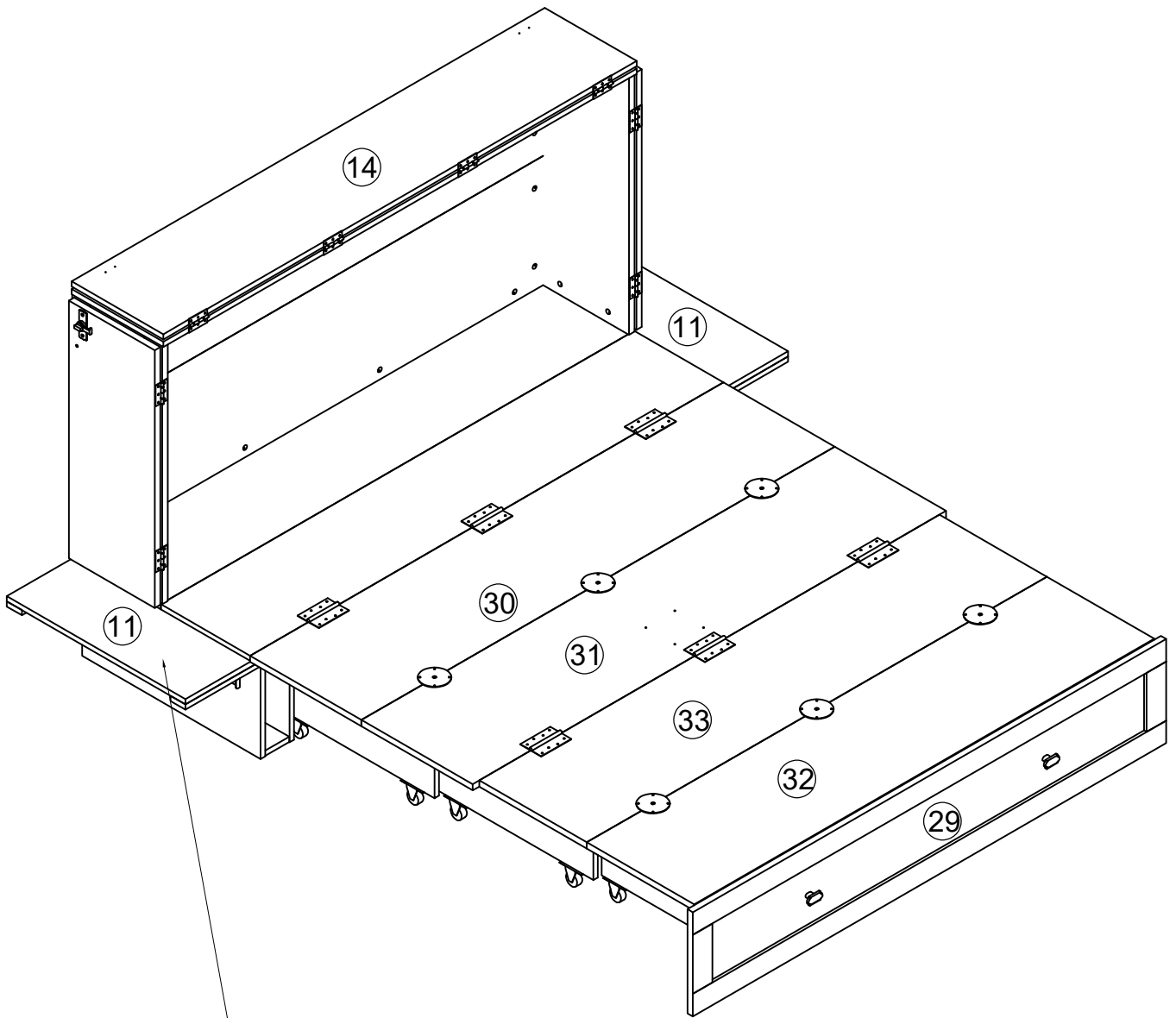
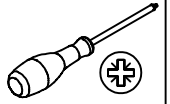
Lift the latch cover and open it.

Step 3: Open the side doors (labeled as 15 and 16) simultaneously, and gently place them on the bed board (labeled as 30.31 and 32.33).

51



Step 4: Flip up bed board (30.31) and lay it flat.



Step 5: Pull up supports 11 to prop up.

Note: When folding up supports 11, follow step 6, press the switch, lift up, and lower down.