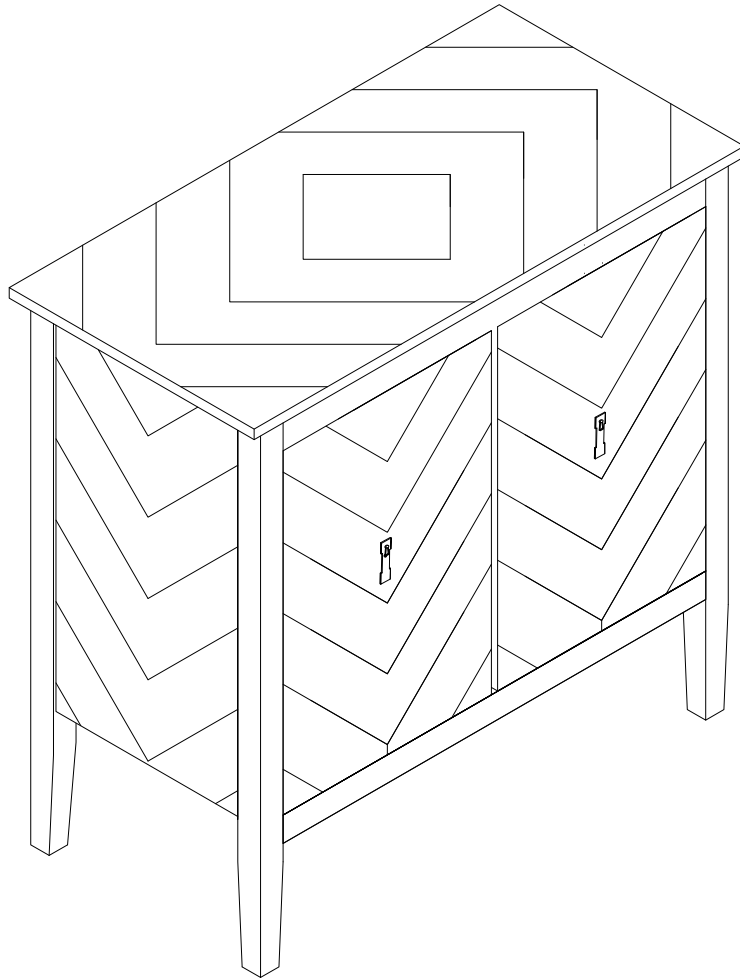


# Installation Instruction



Product name

---

**2 Door Cabinet**

Ver.1.0 20220512

# Assembling

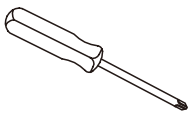
Estimated time for assembly



**30:00**

What you need

- Use the packaging carton as a working surface to prevent product damage during assembly
- Phillips head screwdriver



Weight Limitation



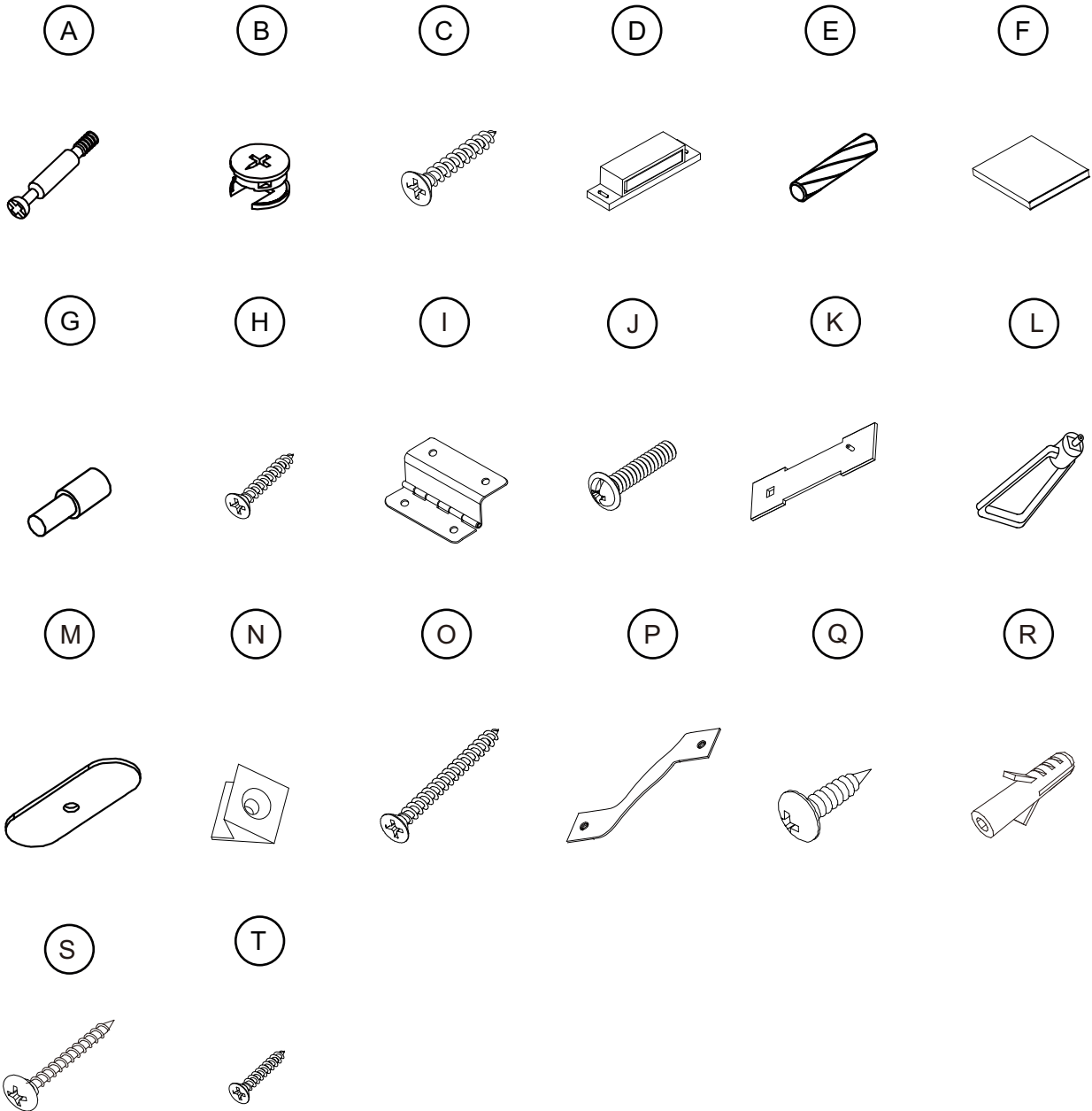
**44**  
lbs table top

**22**  
lbs per shelf

## What's included

Code	Description	Qty
A	Cam Bolt M6X35MM	20
B	Cam Lock 15X10MM	20
C	Screw 3x14MM	10
D	Magnetic Door Catcher	1
E	Wooden Dowel 8X30MM	14
F	Foot Pad	4
G	Metal Support	4
H	Screw 3X12MM	16
I	Hinge	4
J	Bolt 4X12MM	4
K	Handle Metal Plate	2
L	Handle	2
M	Metal Plate	2
N	Plastic Corner Support	8
O	Screw 4X35MM	2
P	Nylon Strap	2
Q	Screw 4X12MM	2
R	Anchor	2
S	Screw 4X40MM	3
T	Screw 2.5X12MM	2

# The Hardwares



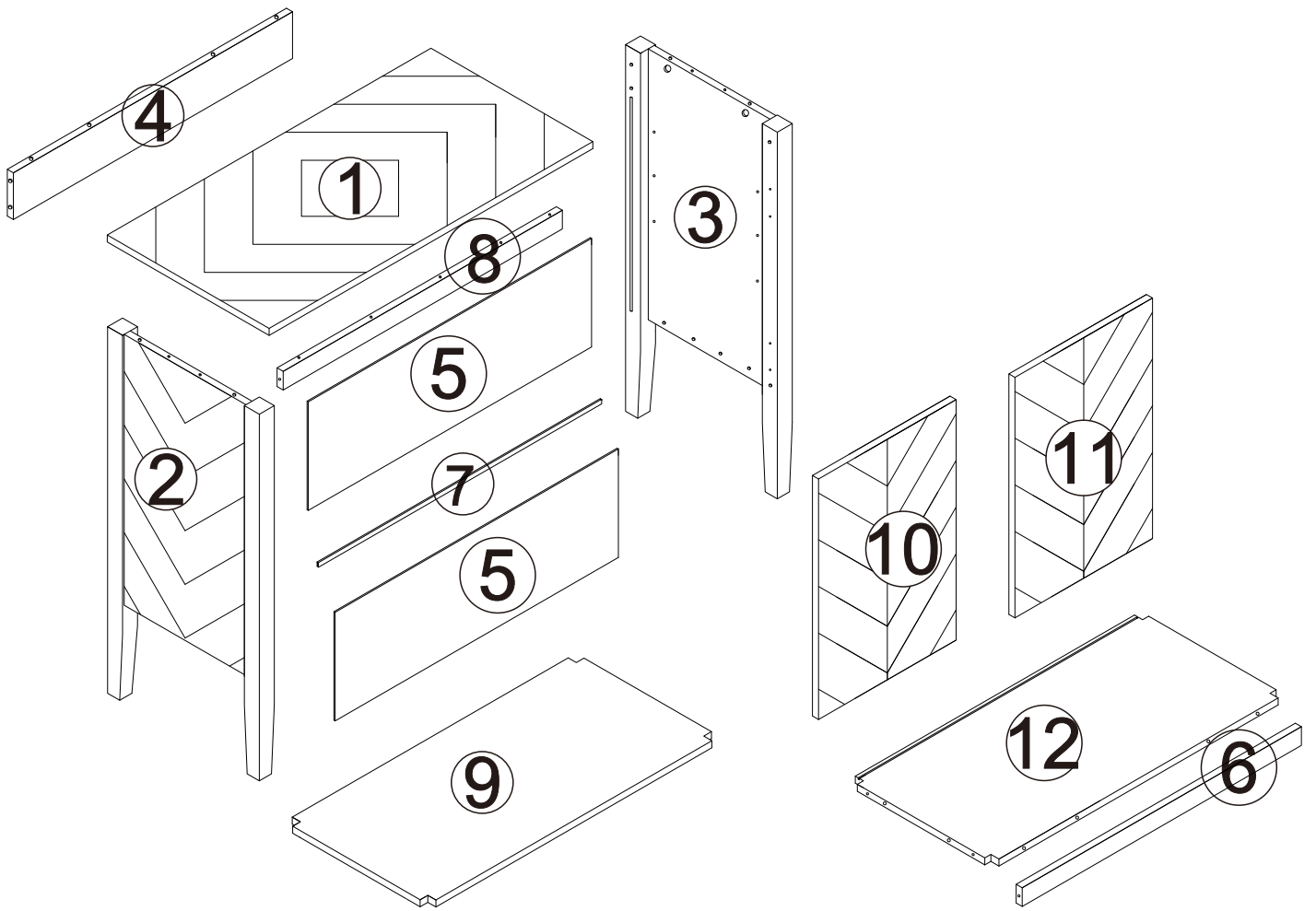
## IMPORTANT:

1. Do not tighten bolts / screws completely until all bolts / screws are lined up and inserted into holes.
2. Do not over tighten screws and bolts to avoid stripping.
3. Please use hand tools to assemble this product. Do not use power tools.

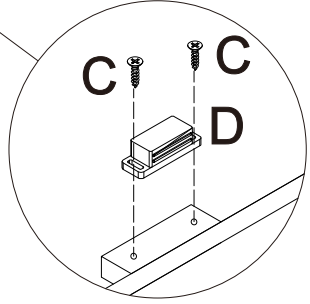
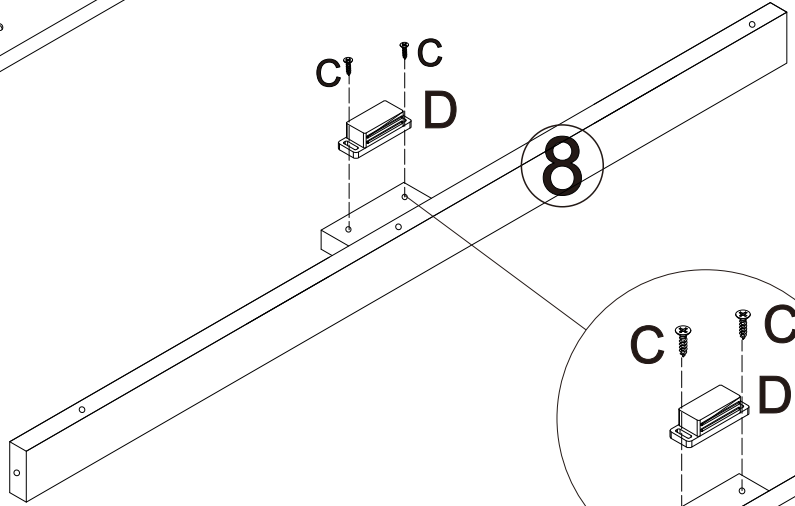
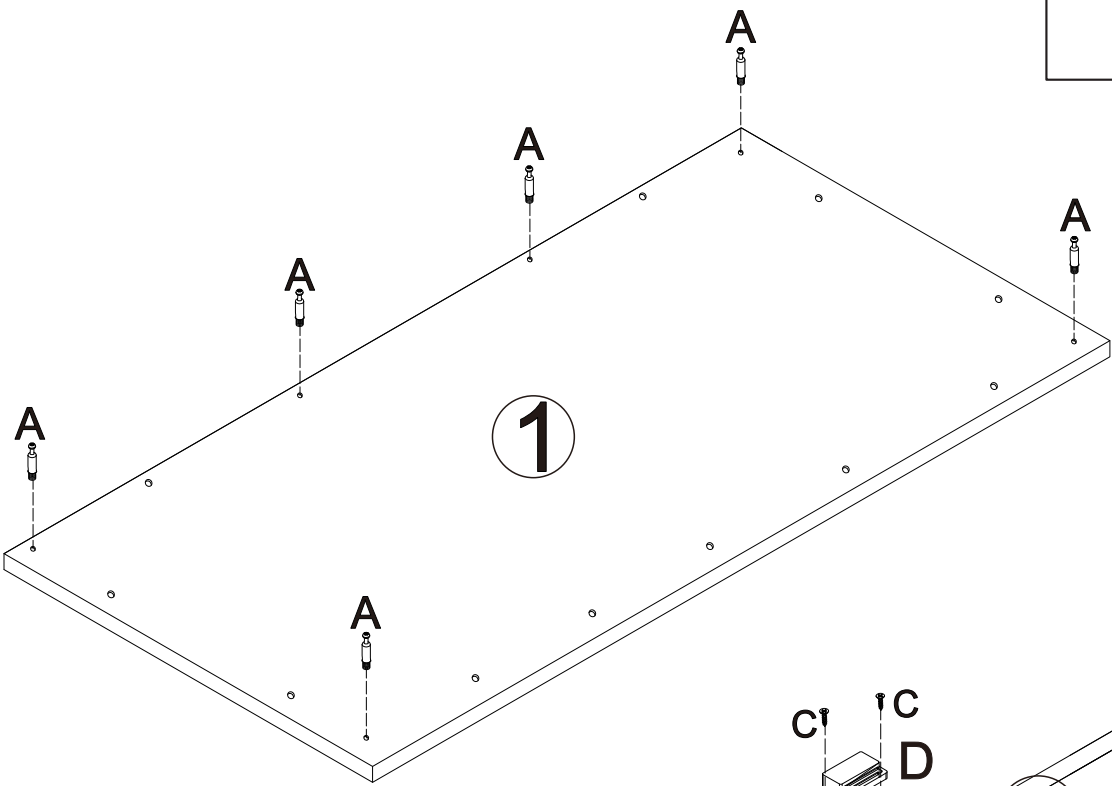
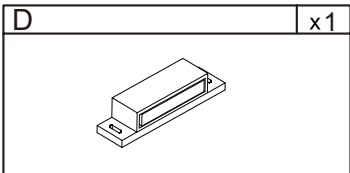
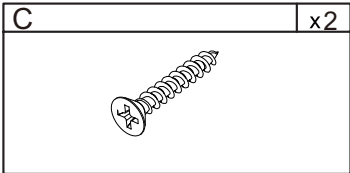
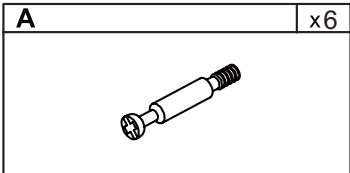
# Included Accessories

Code	Description	Qty
1	Cabinet Top	1
2	Left Side Panel	1
3	Right Side Panel	1
4	Top Back Stretcher	1
5	Back Panel	2
6	Bottom Stretcher	1
7	Plastic Strip	1
8	Top Stretcher	1
9	Shelf	1
10	Left Front Panel	1
11	Right Front Panel	1
12	Bottom Panel	1

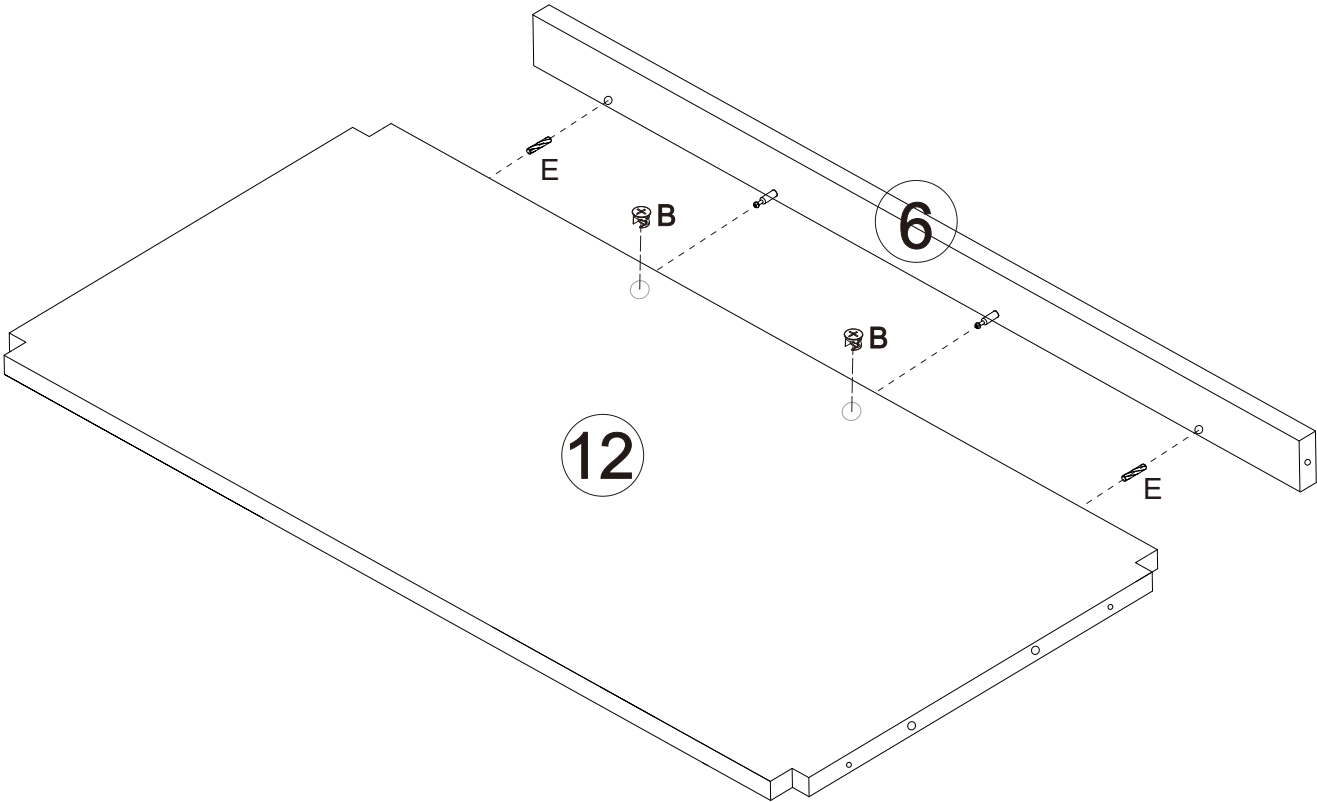
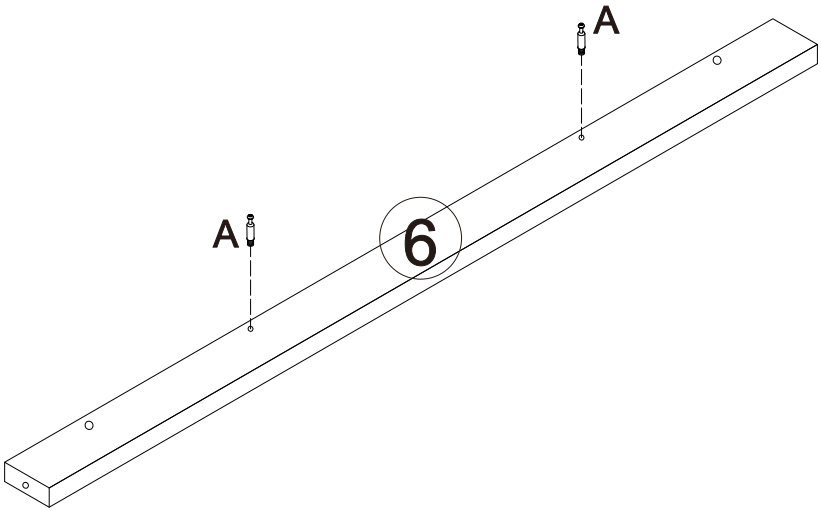
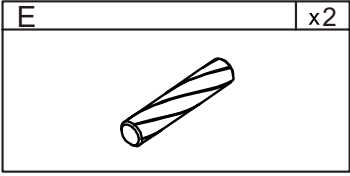
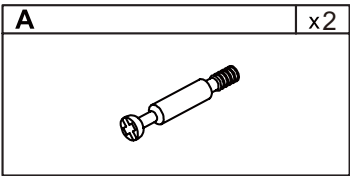
# The Accessoriess



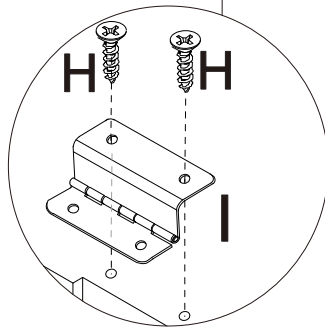
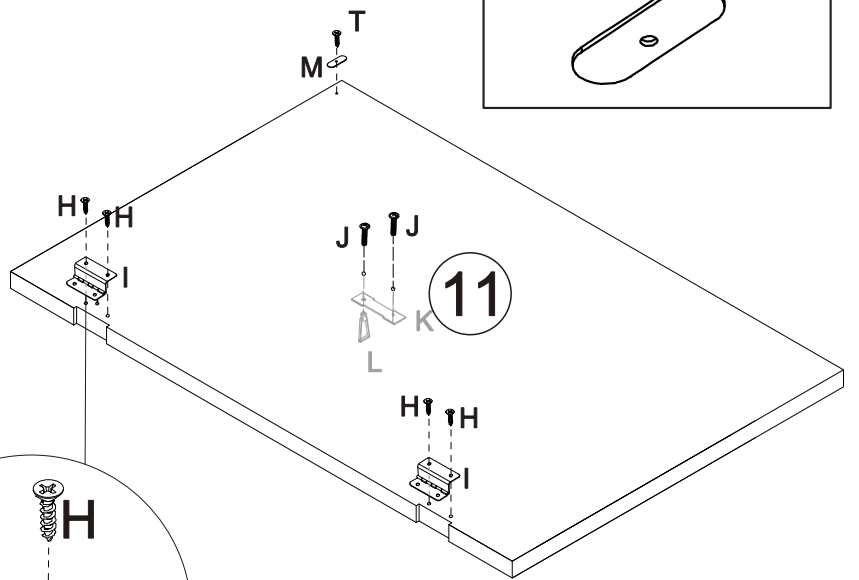
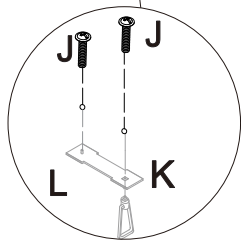
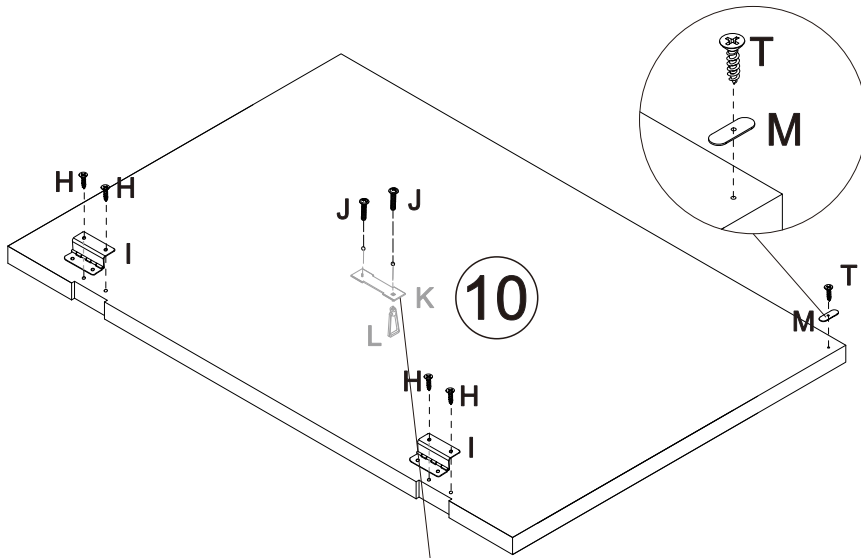
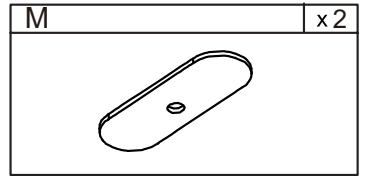
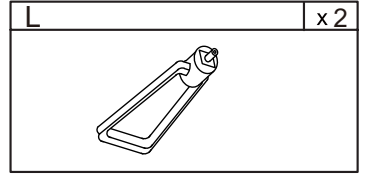
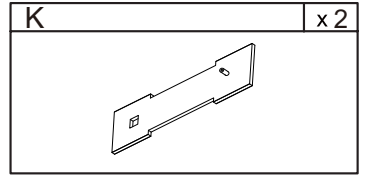
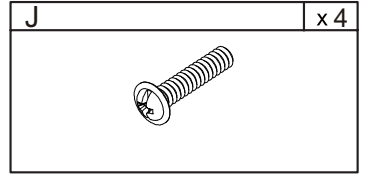
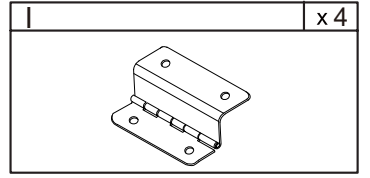
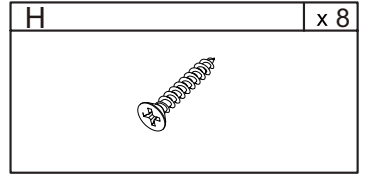
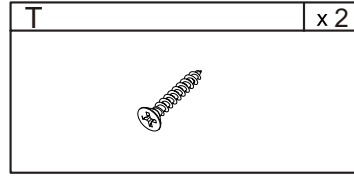
# Step 1



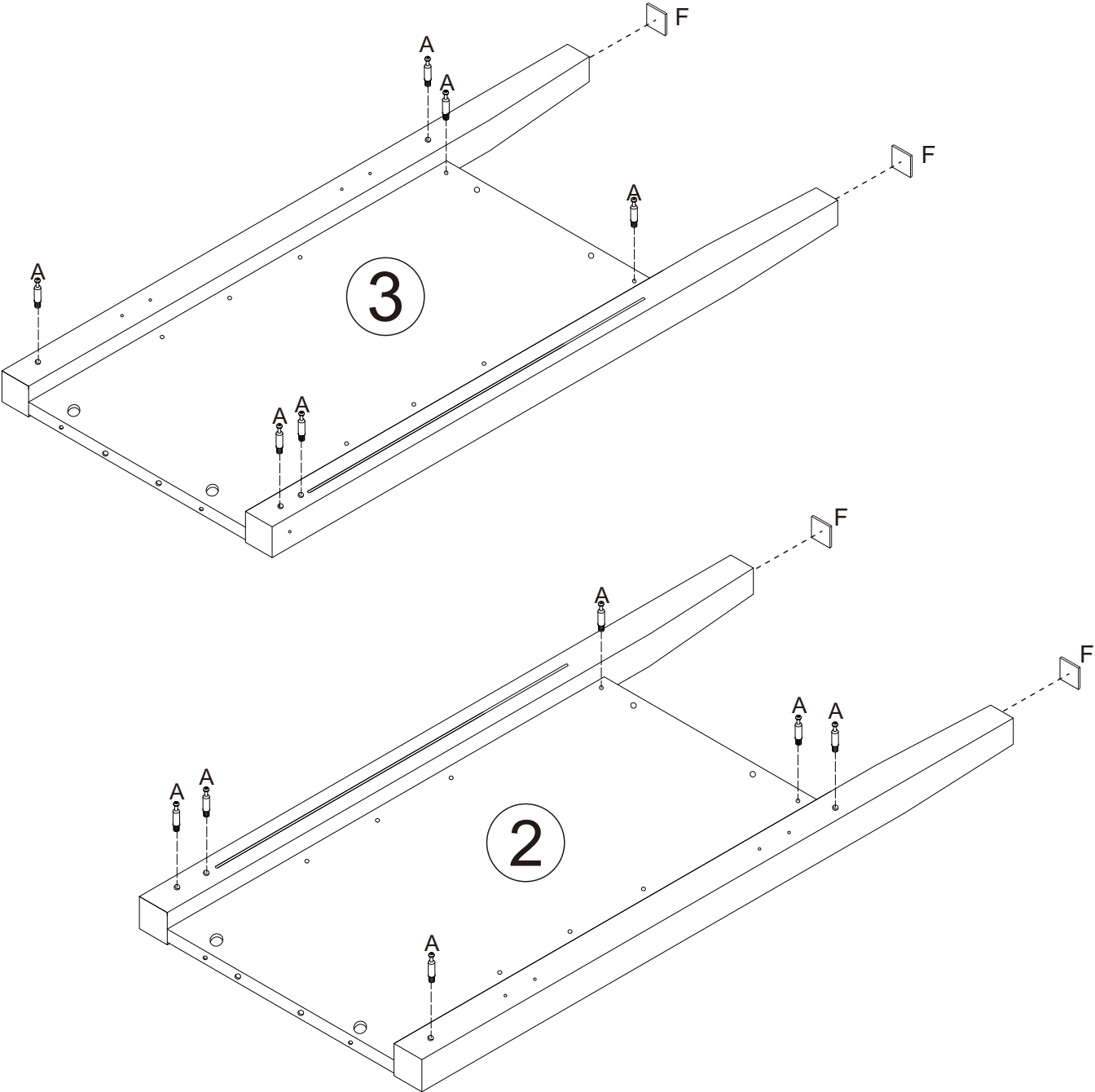
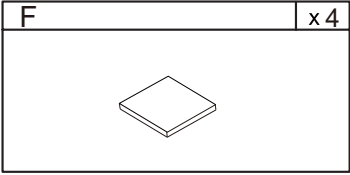
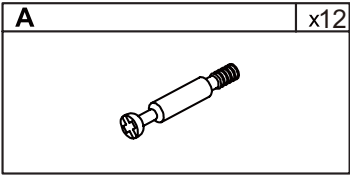
# Step 2



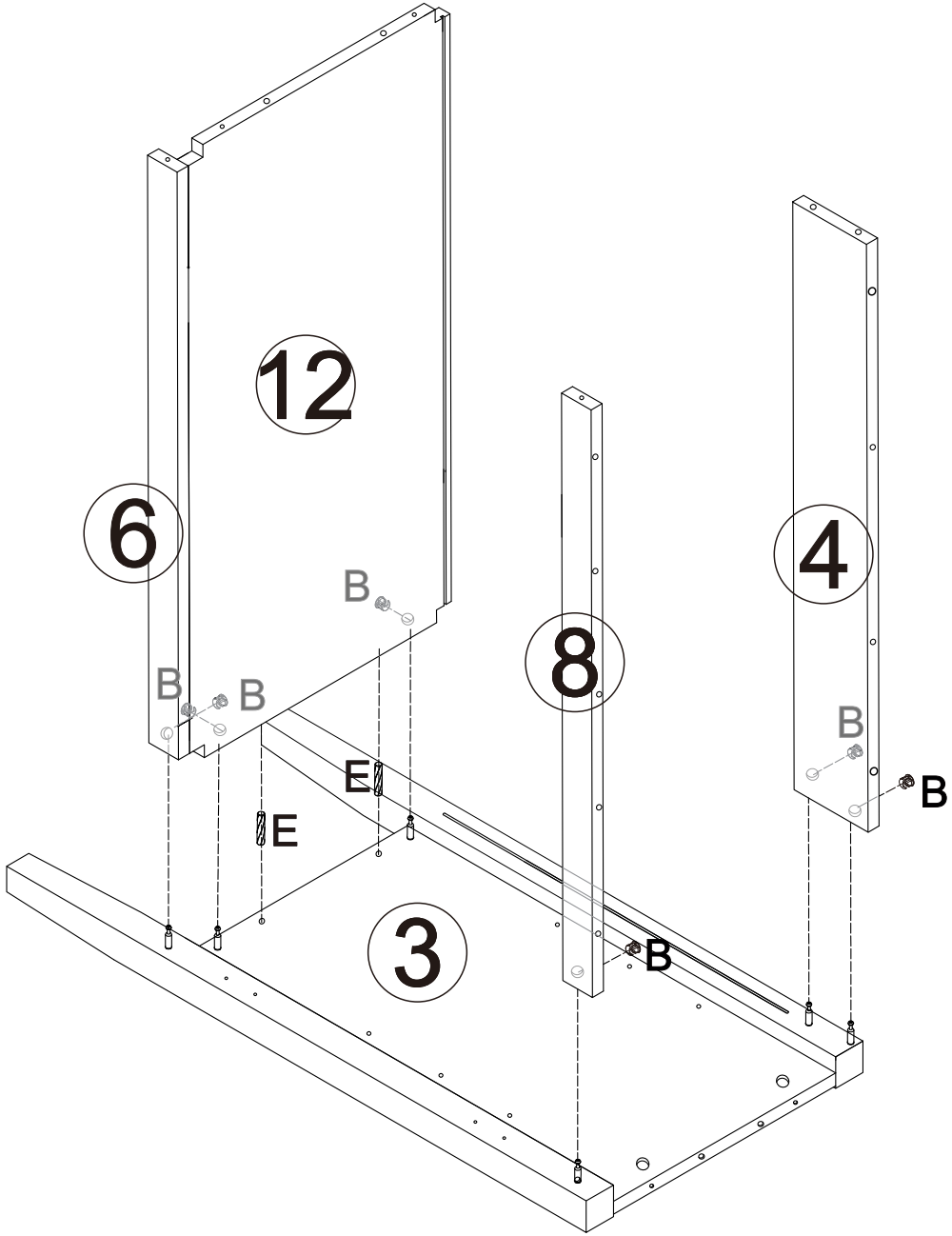
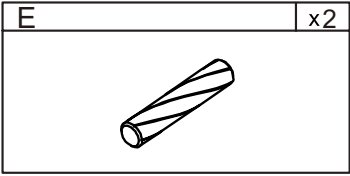
# Step 3



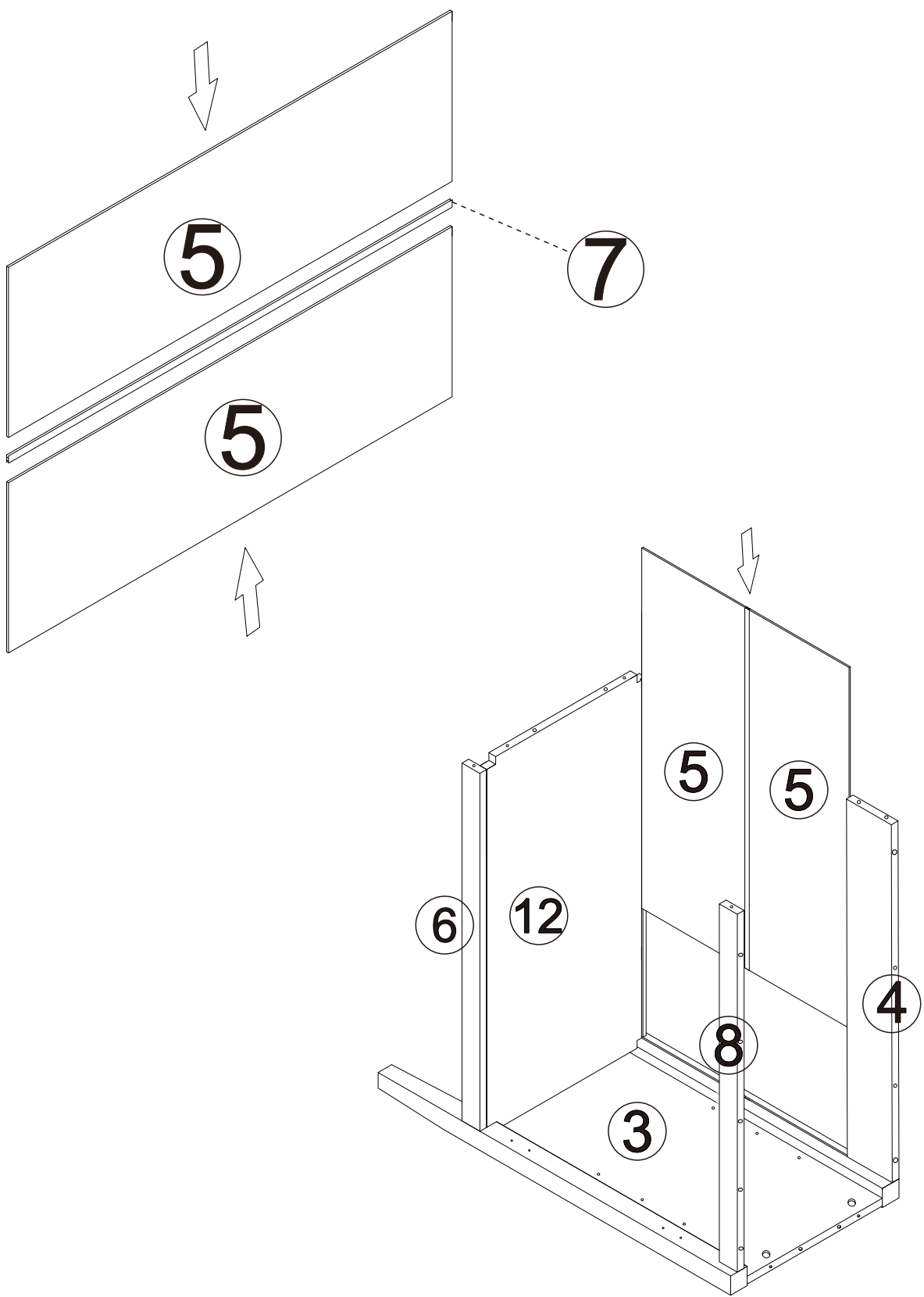
# Step 4



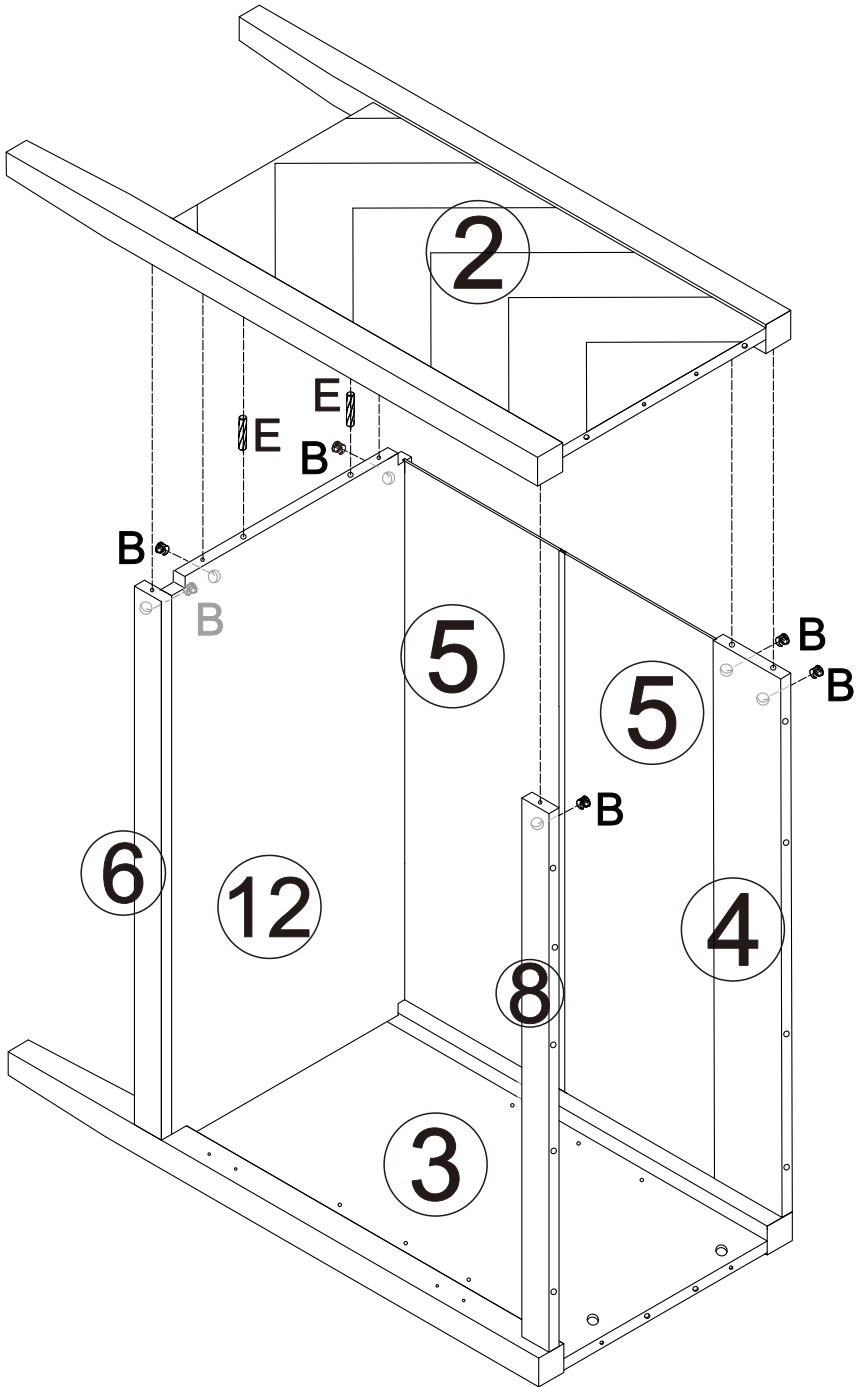
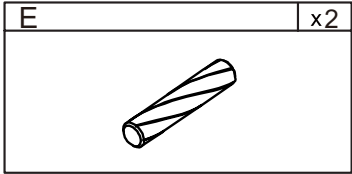
# Step 5



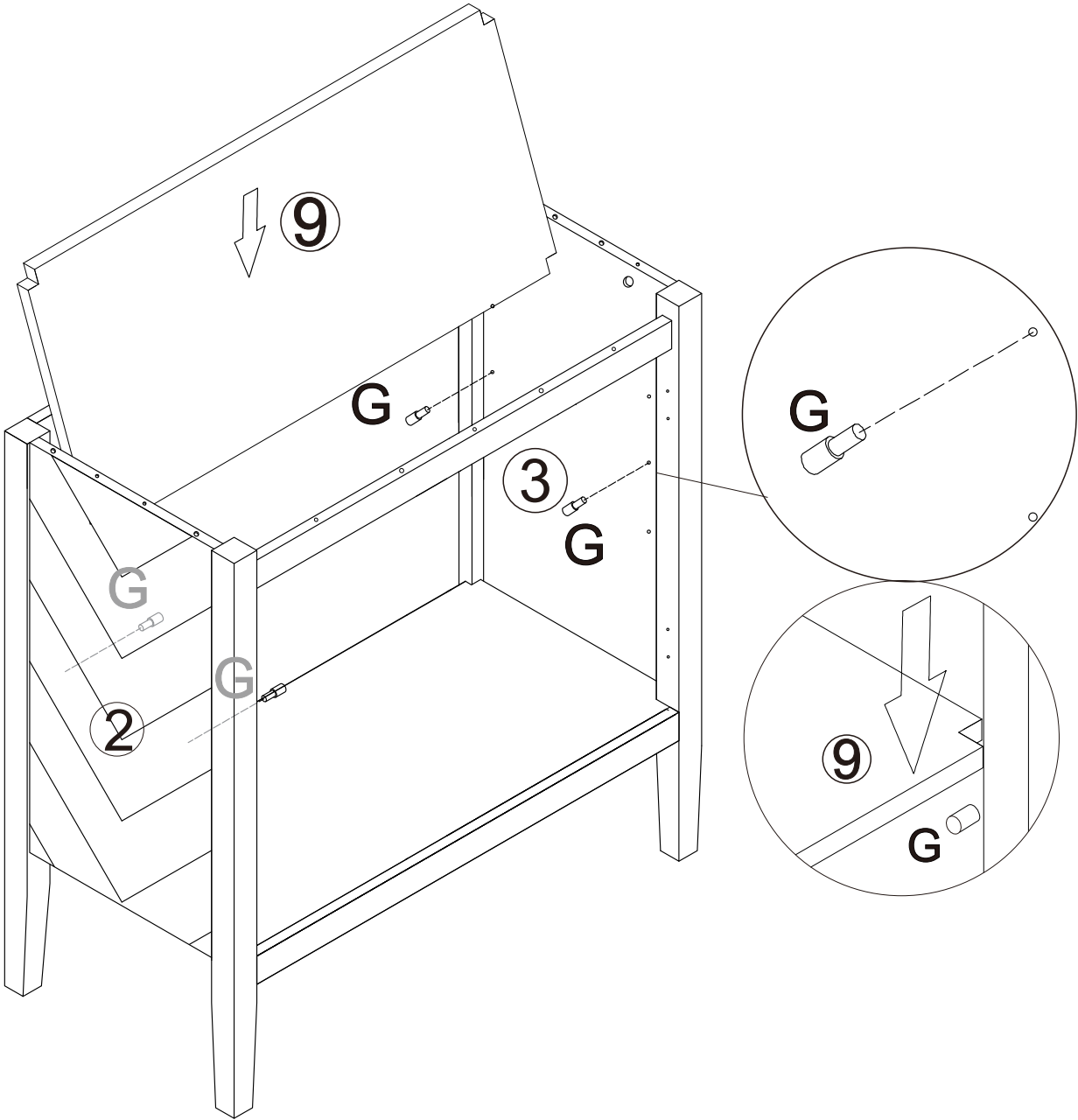
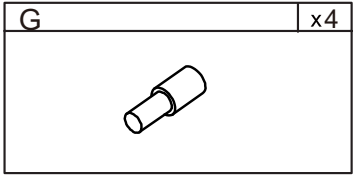
# Step 6



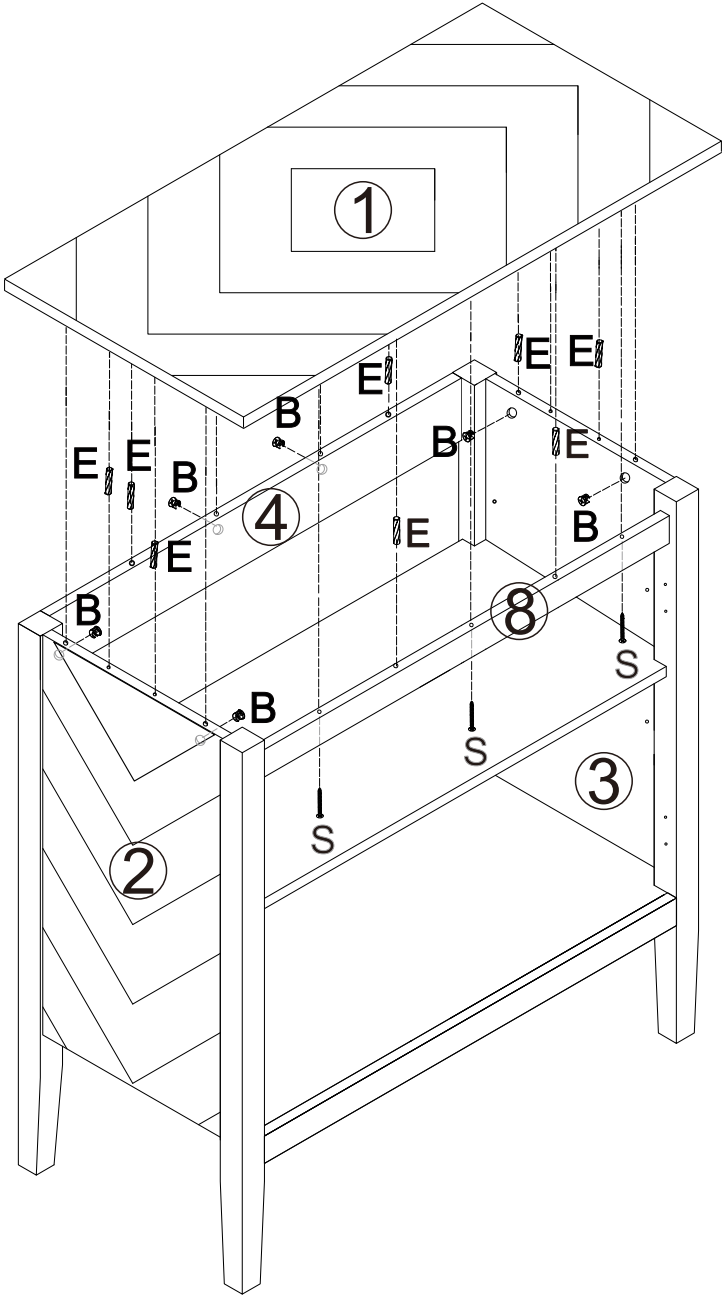
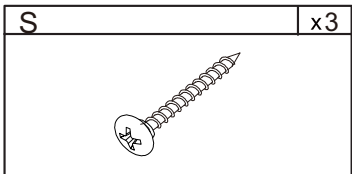
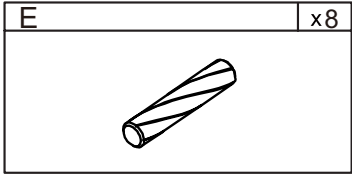
# Step 7



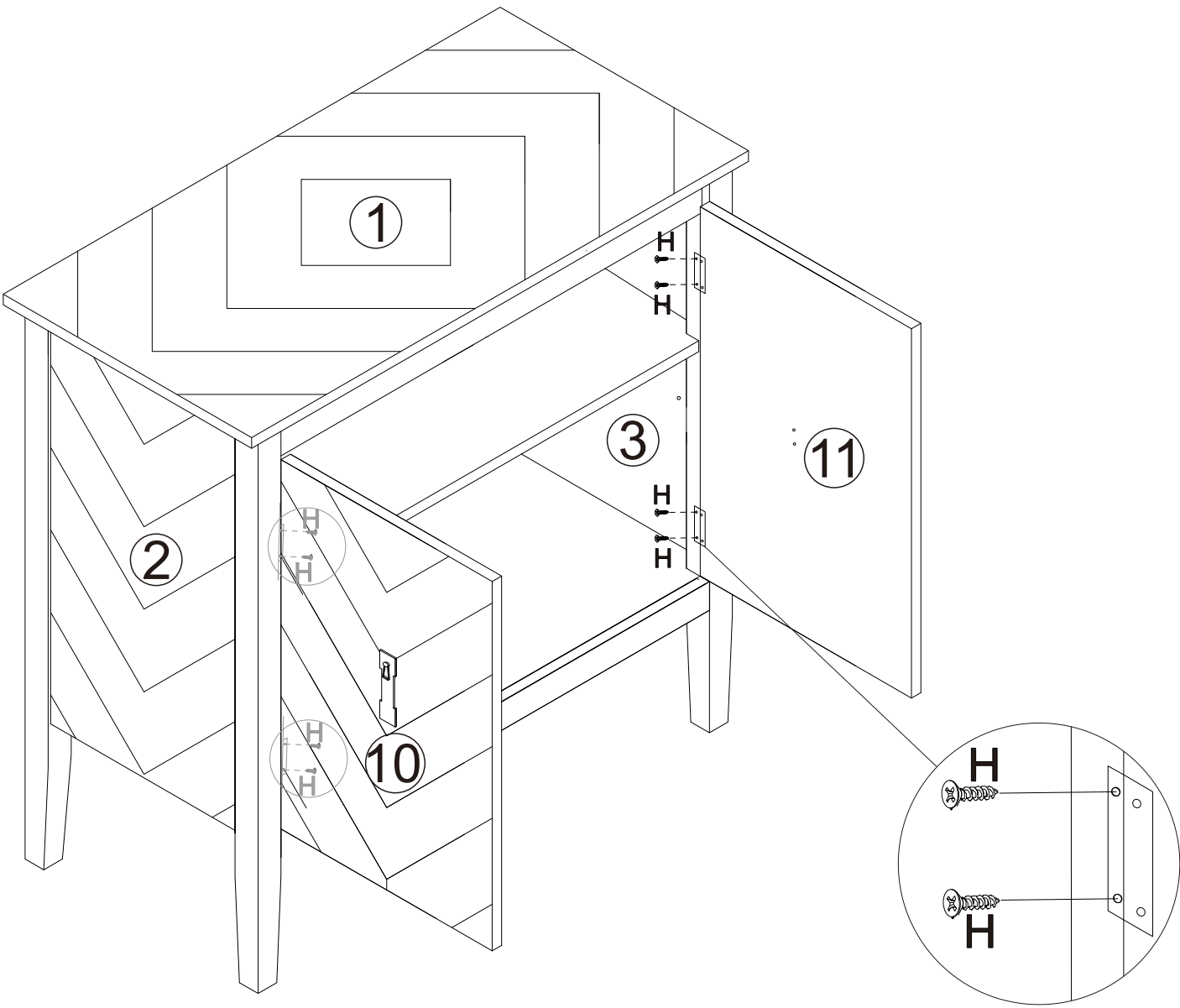
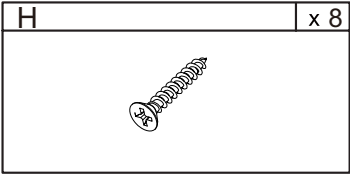
# Step 8



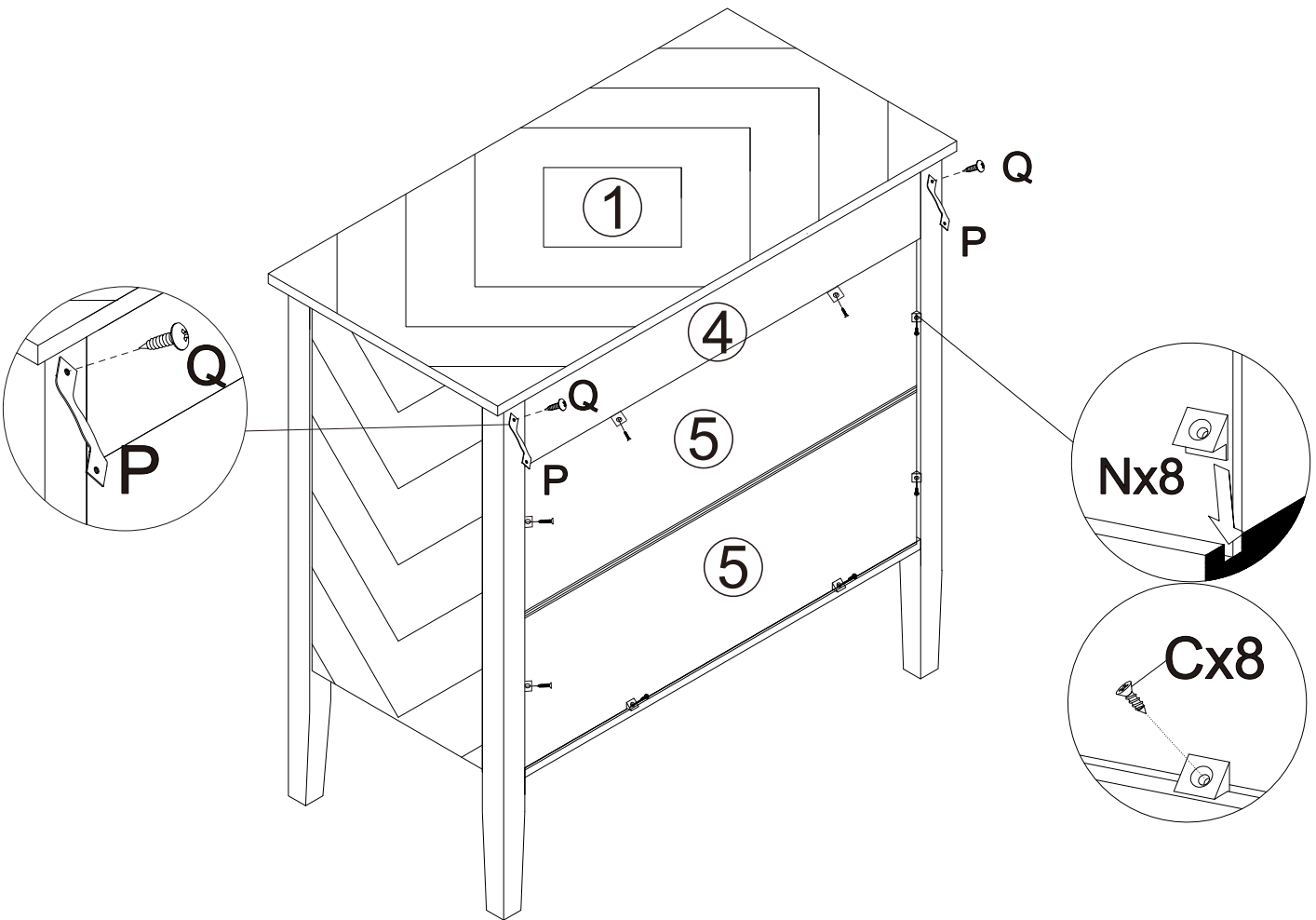
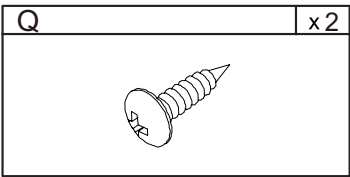
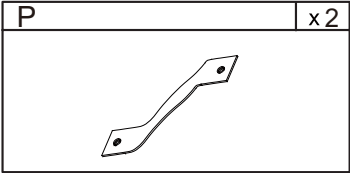
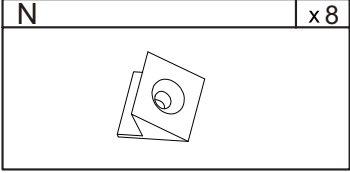
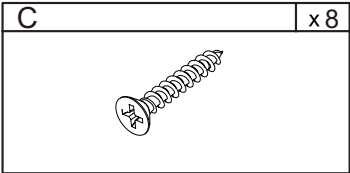
# Step 9



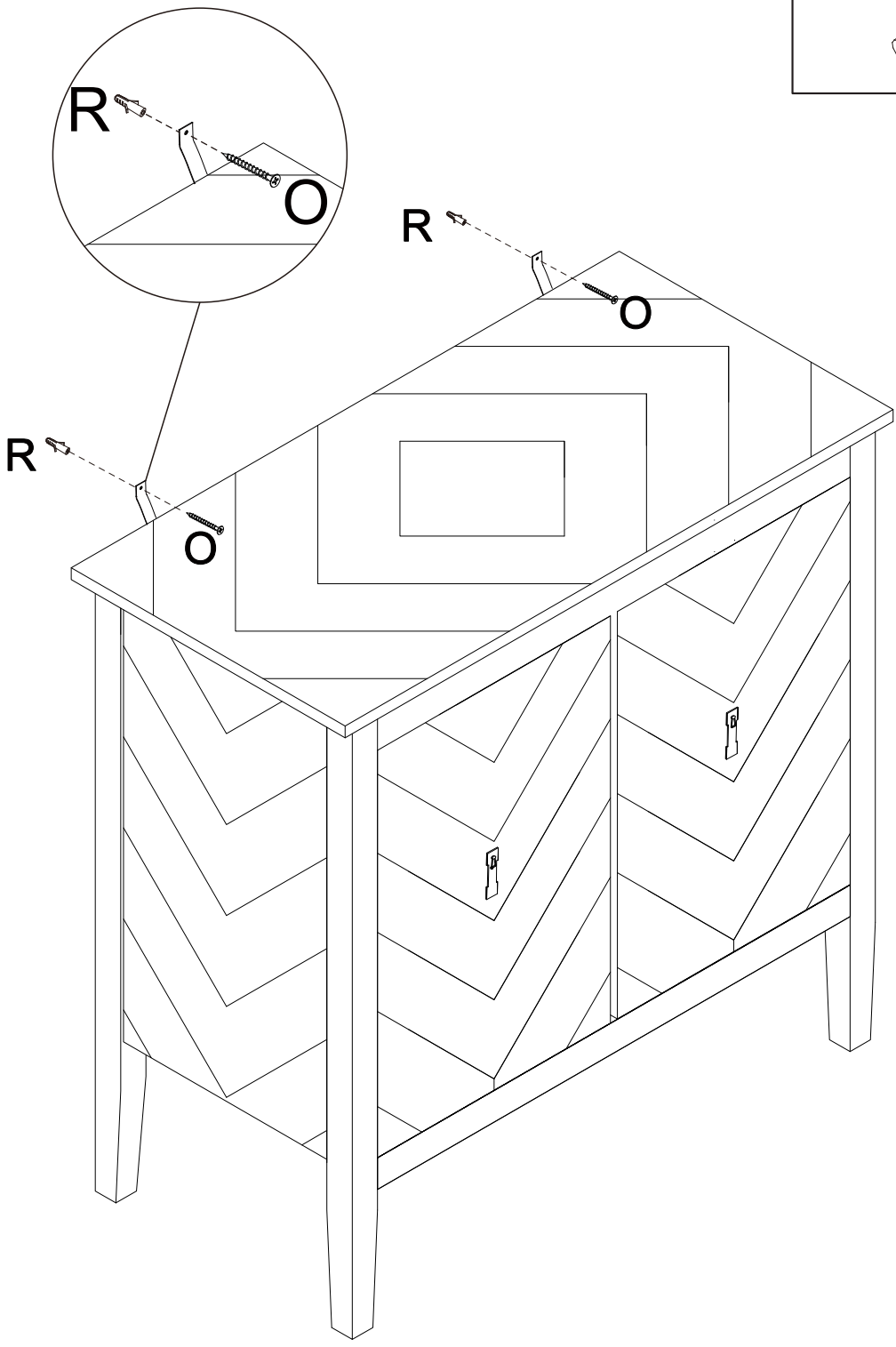
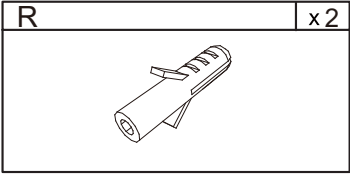
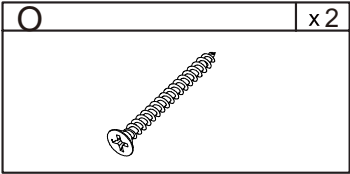
# Step 10



# Step 11



# Step 12



# Proper Use

- DO NOT use for commercial purposes
- DO NOT use as a step stool or stand on table
- DO NOT put hot serving liquid directly on the table top
- DO NOT leave spilled liquid on the table top
- DO NOT use table if damaged
- DO NOT exceed weight limit
- DO NOT make temporary repairs
- DO NOT use outdoor

Dear Customer:

Thank you for purchasing our product,we wish you satisfy our service,if you have any further questions or any quality issues,please show the belows number and don't hesitate to contact our Customer Service People;

**W688202304**