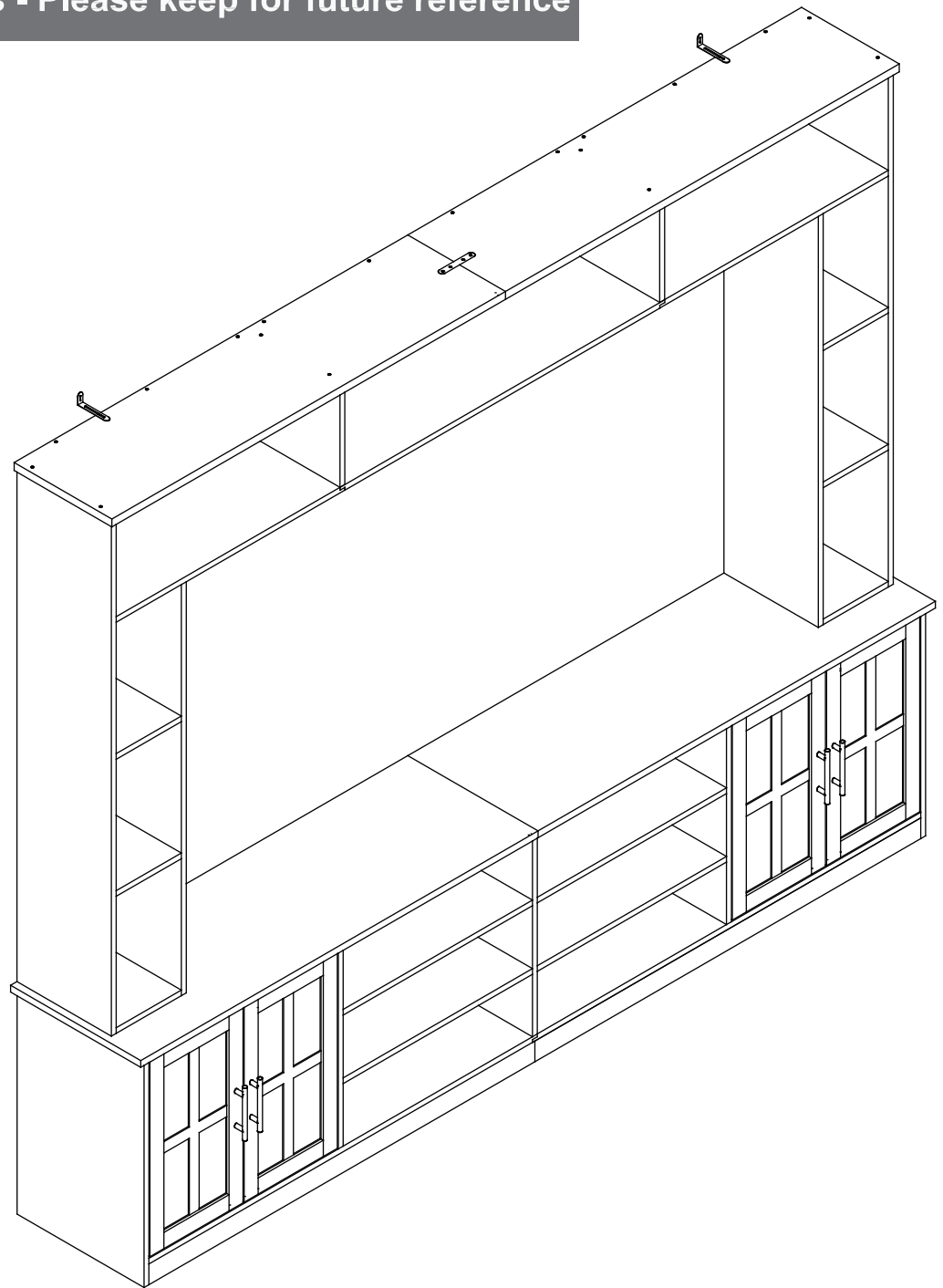


Hall Tree

Assembly Instructions - Please keep for future reference



Dimensions

Width- 95.5inch

Depth-15.75inch

Height-78.75inch

Important – Please read these instructions fully before starting assembly



Safety and Care Advice

Important – Please read these instructions fully before starting assembly

- Check you have all the components and tools listed on the following pages.
- Remove all fittings from the plastic bags and separate them into their groups.
- Keep children and animals away from the work area, small parts could choke if swallowed.
- Make sure you have enough space to layout the parts before starting.

- During assembly do not stand or put weight on the product, this could cause damage.
- Assemble the item as close to its final position (in the same room) as possible.
- Assemble on a soft level surface to avoid damaging the unit or your floor.
- Parts of the assembly will be easier with 2 people.



power drill is set on a low torque setting.

- To reduce the likelihood of damaging your product please ensure that your

Care and maintenance

- Only clean using a damp cloth and mild detergent, do not use bleach or abrasive cleaners.
- From time to time check that there are no loose screws on this unit.
- This product should not be discarded with household waste. Take to your local authority waste disposal centre.

Handy Hints

- Assemble all parts and bolts loosely during assembly, only once the product is complete should you fully tighten the bolts
- Regularly check and ensure That all bolts and fittings are tightend properly.

WARNING
In order to help prevent overturning – please follow these instructions

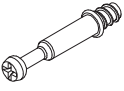


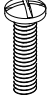
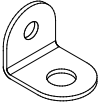
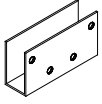

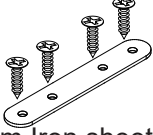

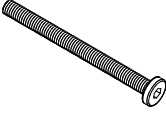
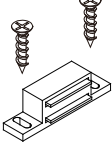

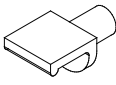
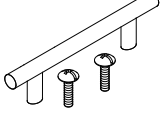
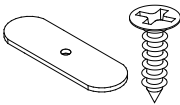
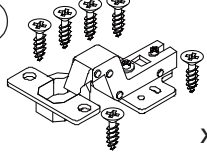
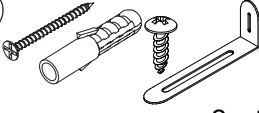

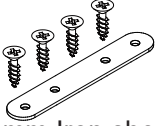
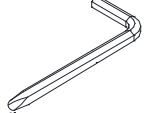
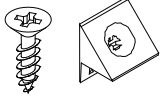
To help prevent product toppling over please follow the below steps:-

- Use the anti tip stap or wall fixing method provided (if applicable)
- Do not allow children to climb or hang on the furniture
- Do not open more than one drawer at a time
- Do not place heavy items in the top drawers
- Do not place heavy items on top of the furniture, unless the furniture has been designed for this purpose

Components - Fittings

Please check you have all the panels listed below

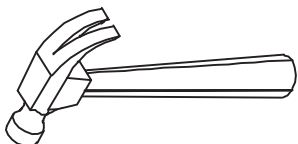
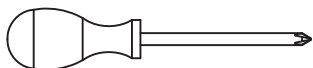
Note: The quantities below are the correct amount to complete the assembly. In some cases more fittings may be supplied than are required

<p>(A) </p> <p>Cam Bolt x 82+2</p>	<p>(B) </p> <p>6*30mm Dowel x 82+2</p>	<p>(C) </p> <p>Cam lock x 82+2</p>	<p>(D) </p> <p>5*16mm Screw x 10+1</p>
<p>(E) </p> <p>x 8</p>	<p>(F) </p> <p>Iron pipe fitting x 1</p>	<p>(G) </p> <p>4*12mm Screw x 8+1</p>	<p>(H) </p> <p>3*12mm Iron sheet x 4</p>
<p>(I) </p> <p>4*40mm Screw x 50+2</p>	<p>(J) </p> <p>6*50mm Screw x 4</p>	<p>(K) </p> <p>x 2set</p>	<p>(L) </p> <p>6*40mm Dowel x 4</p>
<p>(M) </p> <p>Laminate support x 8+1</p>	<p>(N) </p> <p>Handle x 4set</p>	<p>(O) </p> <p>x 4set</p>	<p>(P) </p> <p>x 8set</p>
<p>(Q) </p> <p>2set</p>	<p>(R) </p> <p>Perfect fit x 40</p>	<p>(S) </p> <p>3.5*14mm Iron sheet x 5</p>	<p>(T) </p> <p>Allen key x 1</p>
<p>(U) </p> <p>x 36set</p>			

Tools required Not Included



Phillips screwdriver
(medium & large)



Using Camlocks

Step 1

Connect the male camlock as directed in the assembly instructions using a screwdriver.

1

DO NOT OVER TIGHTEN.
NE PAS SERRER EXCESSIVEMENT.



Step 2

Push the male camlock into the entry hole.

2

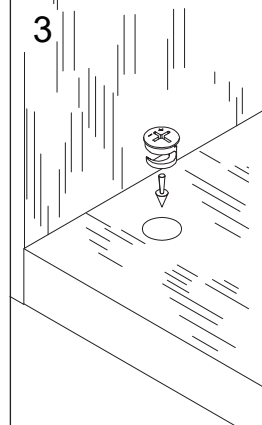


Step 3

Insert the female camlock as shown in the instruction.

Note: ensure that the arrow on the top of the camlock points towards the entry hole for the male camlock.

3



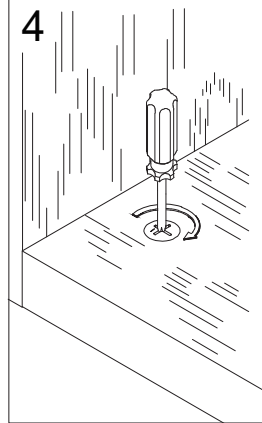
Step 4

Turn the female camlock clockwise with a screwdriver.

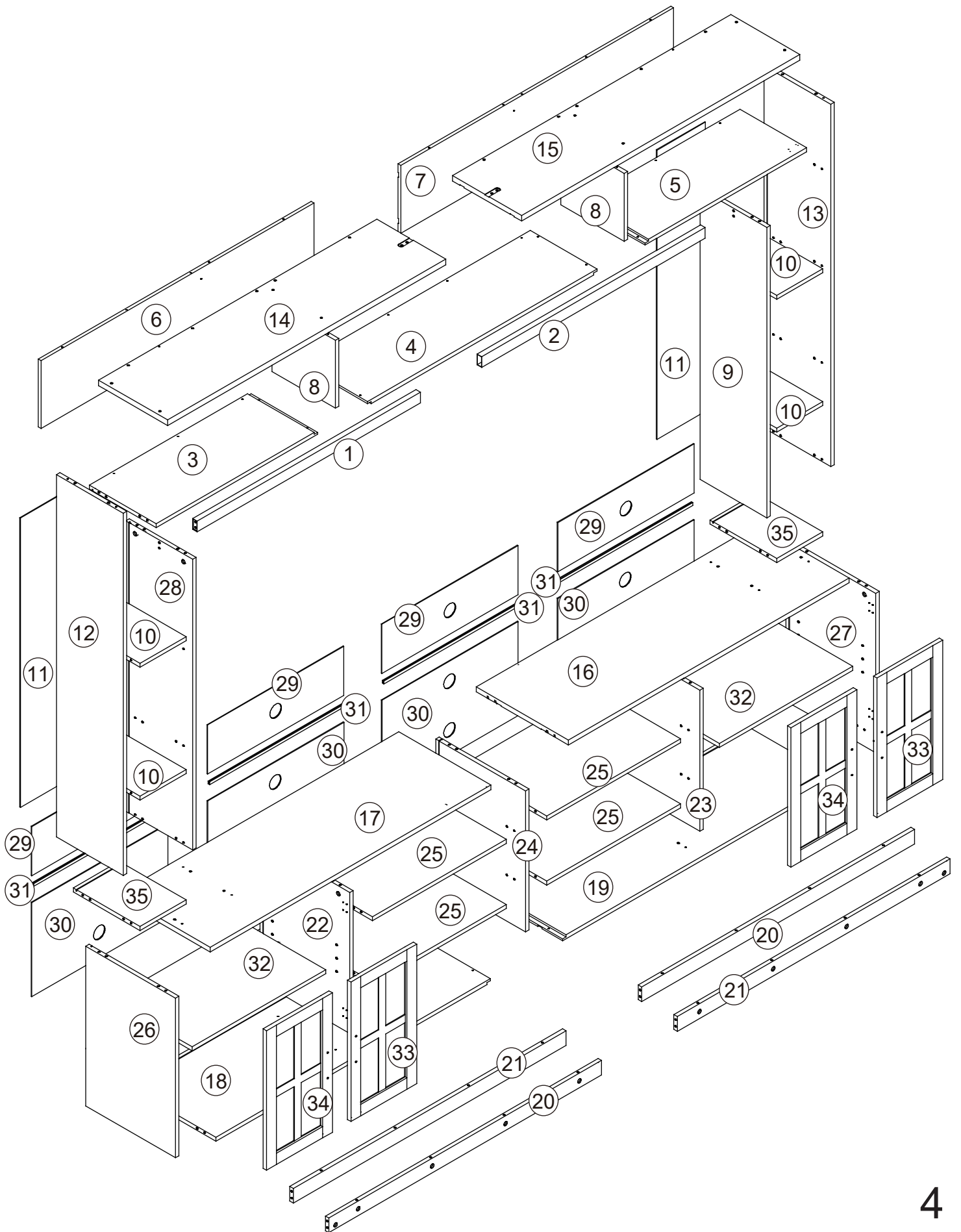
You should feel a click when the camlock is locked in place.

The joint is now secure.

4



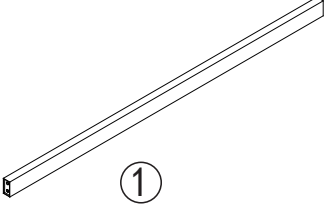
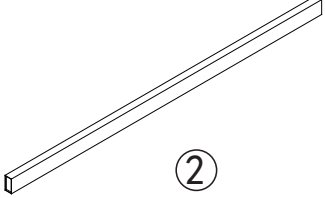
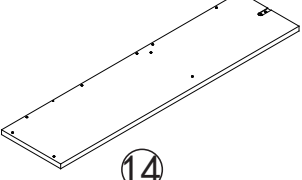
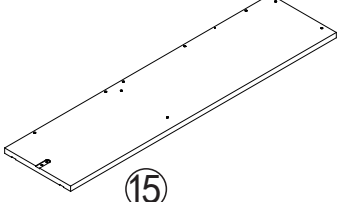
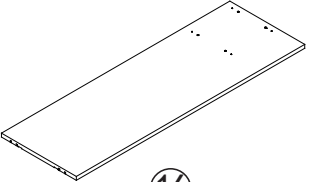
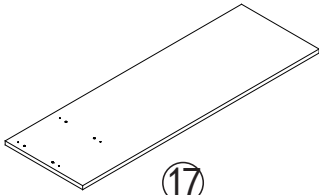
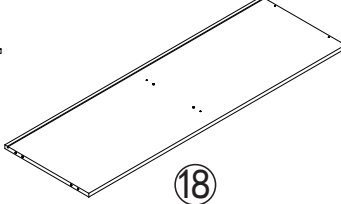
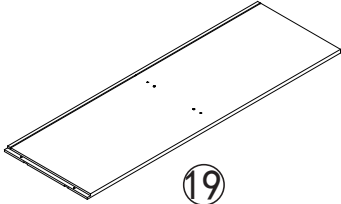
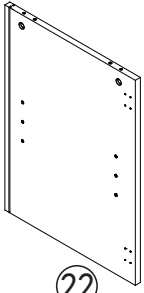
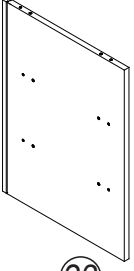
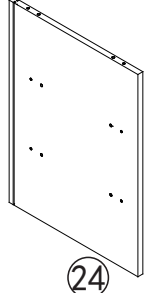
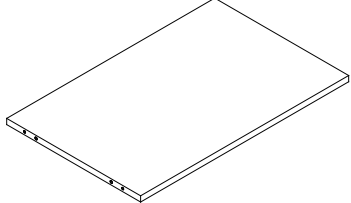
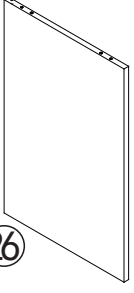
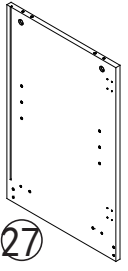
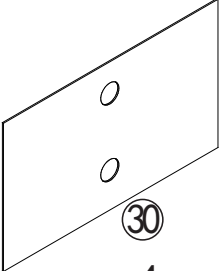
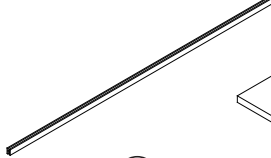
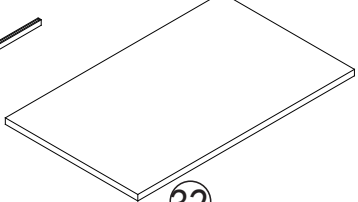
Assembly Instructions



PART LIST

This product comes in 2 box.

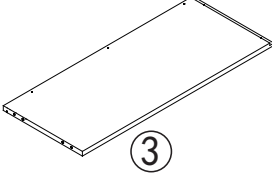
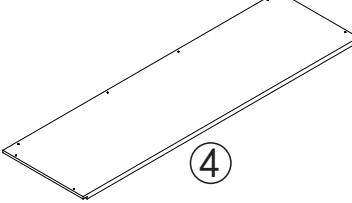
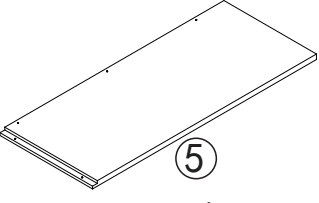
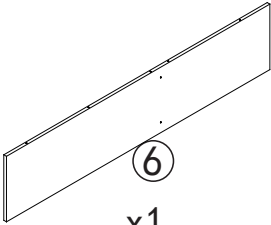
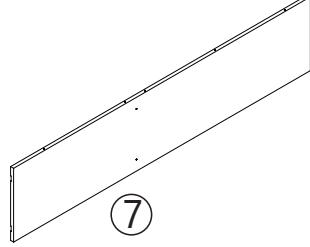
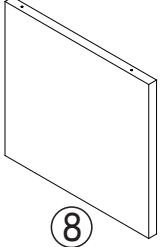
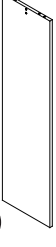
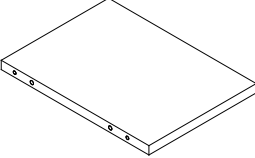
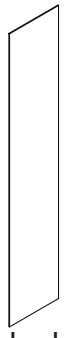


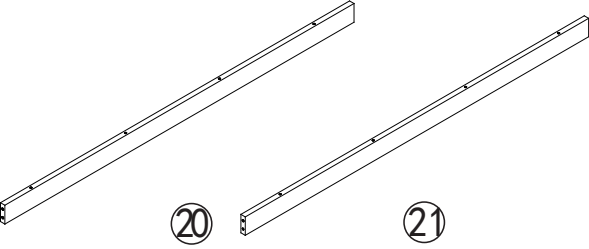

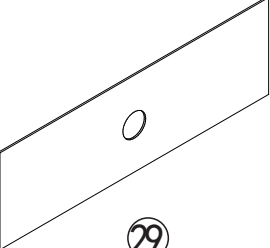
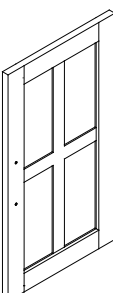
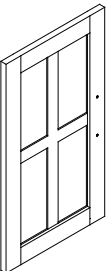
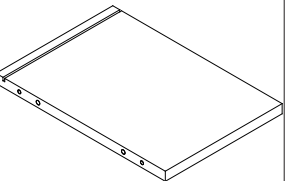
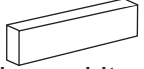
Box 1

 <p>① x1 iron pipe 970.5x40x20mm</p>	 <p>② x1 iron pipe 970.5x40x20mm</p>	 <p>⑭ x1 Top plate 1209x300x18mm</p>	 <p>⑮ x1 Top plate 1209x300x18mm</p>	
 <p>⑯ x1 Lower middle large panel 1220x400x18mm</p>	 <p>⑰ x1 Lower middle large panel 1220x400x18mm</p>	 <p>⑱ x1 Dase 1190x390x15mm</p>	 <p>⑲ x1 Dase 1190x390x15mm</p>	
 <p>⑳ x1 Bottom vertical version 530x390x15mm</p>	 <p>㉑ x1 Bottom vertical version 530x390x15mm</p>	 <p>㉒ x1 Bottom vertical version 530x390x15mm</p>	 <p>㉓ x4 Lower fixed layer board 581x374x15mm</p>	 <p>㉔ x1 Lower left panel 600x390x15mm</p>
 <p>㉗ x1 Lower right panel 600x390x15mm</p>	 <p>㉘ x4 Lower back panel 590x350x3mm</p>	 <p>㉙ x4 Backplane strip</p>	 <p>㉚ x2 Movable Shelf 579x374x15mm</p>	

PART LIST

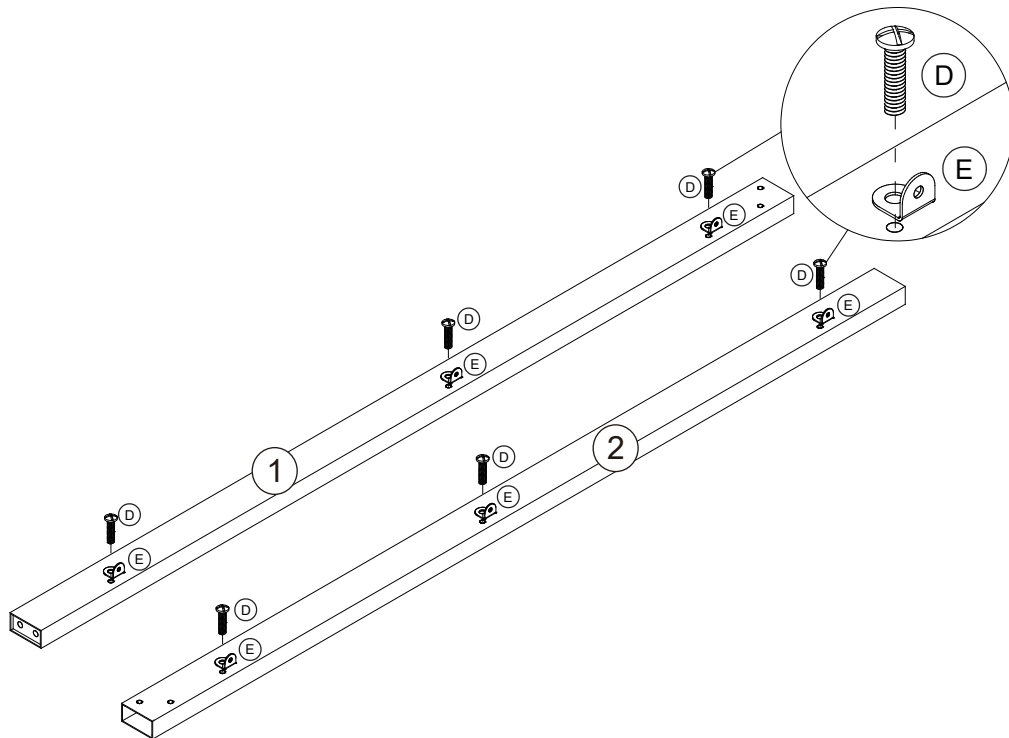
This product comes in 2 box.

Box 2

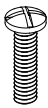
 <p>③ x1</p> <p>Upper left layer board 701x290x15mm</p>	 <p>④ x1</p> <p>Upper middle layer board 997x290x15mm</p>	 <p>⑤ x1</p> <p>Upper right layer board 701x290x15mm</p>	 <p>⑥ x1</p> <p>Upper back plate 1184.5x255x12mm</p>	
 <p>⑦ x1</p> <p>Upper back plate 1184.5x255x12mm</p>	 <p>⑧ x2</p> <p>Upper, middle and vertical version 278x255x15mm</p>	 <p>⑨ x1</p> <p>Upper inner right side panel 1094x290x15mm</p>	 <p>⑩ x4</p> <p>Upper fixed layer board 274x200x15mm</p>	
 <p>⑪ x2</p> <p>Upper back plate 1103x209x3mm</p>	 <p>⑫ x1</p> <p>Upper left panel 1634x290x15mm</p>	 <p>⑬ x1</p> <p>Upper right panel 1634x290x15mm</p>	 <p>⑳ x2 ㉑ x2</p> <p>Drain water before and after 1185x55x15mm</p> <p>Drain water before and after 1185x55x15mm</p>	
 <p>⑳ x1</p> <p>Upper inner right side panel 1094x290x15mm</p>	 <p>㉑ x4</p> <p>Upper back plate 590x181x3mm</p>	 <p>㉓ x2</p> <p>Lower door panel 524x286x15mm</p>	 <p>㉔ x2</p> <p>Lower door panel 524x286x15mm</p>	 <p>㉕ x2</p> <p>Upper fixed layer board 290x200x15mm</p>
 <p>Hardware kit x1</p>				

Assembly Instructions

Step 1

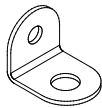


D



5*16mm Screw x 6

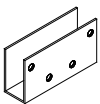
E



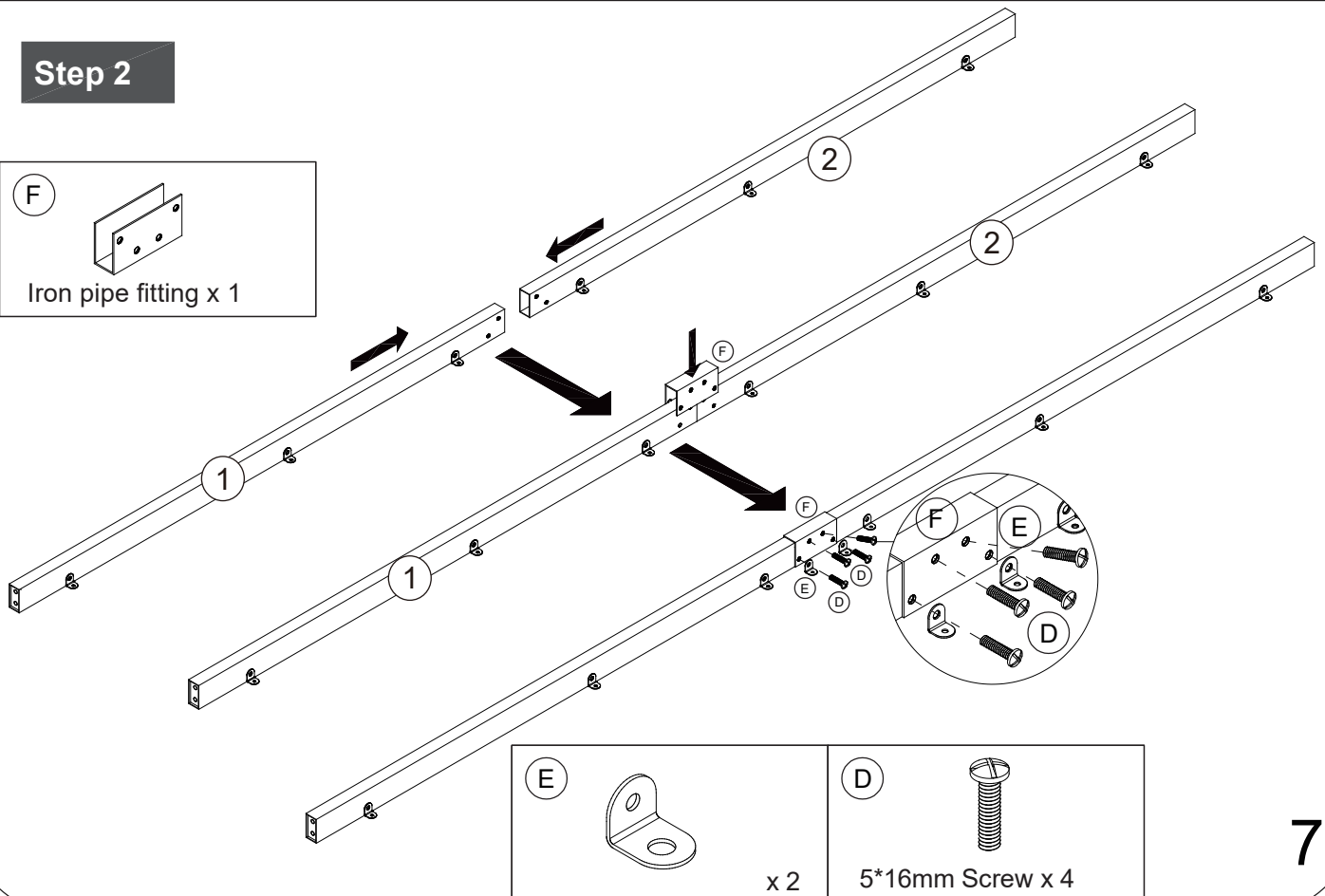
x 6

Step 2

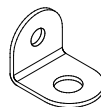
F



Iron pipe fitting x 1

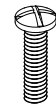


E



x 2

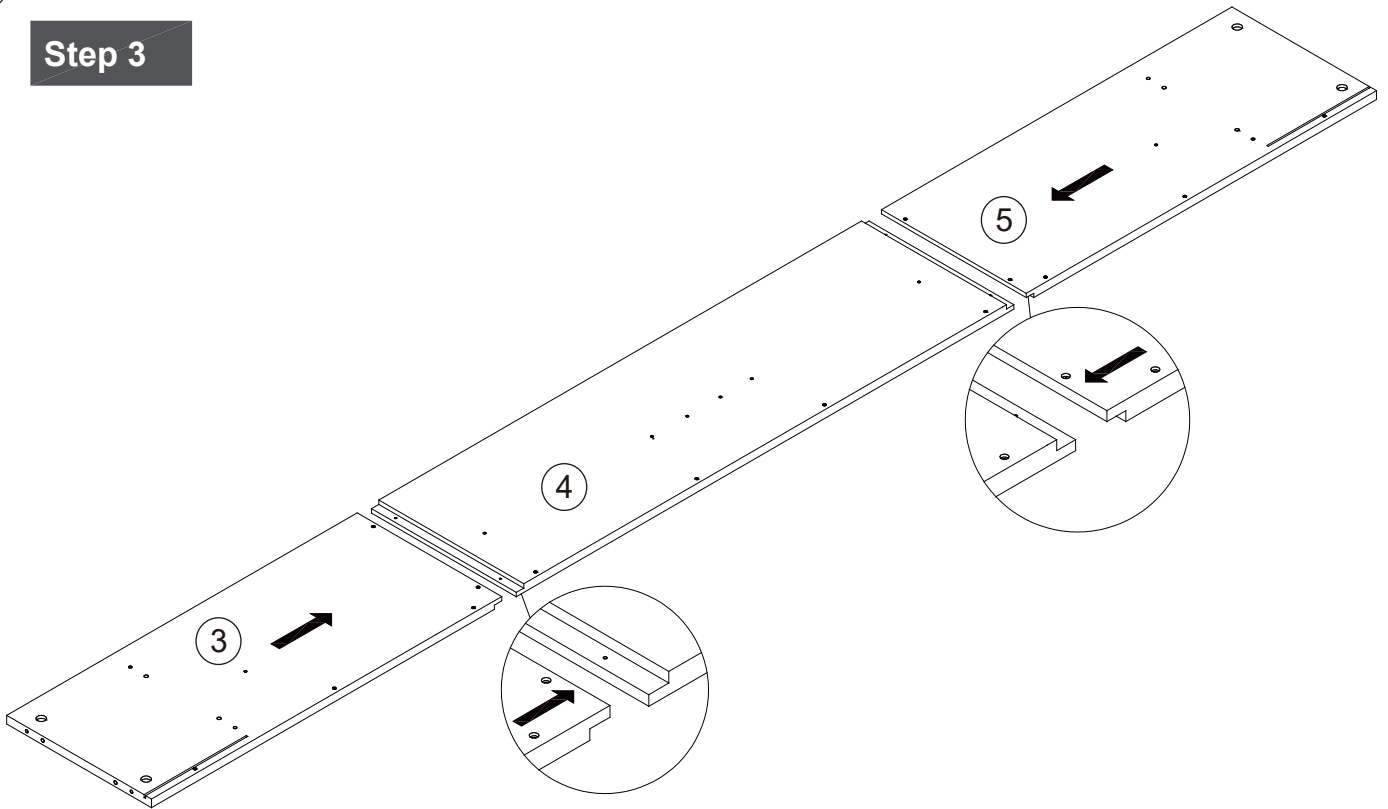
D



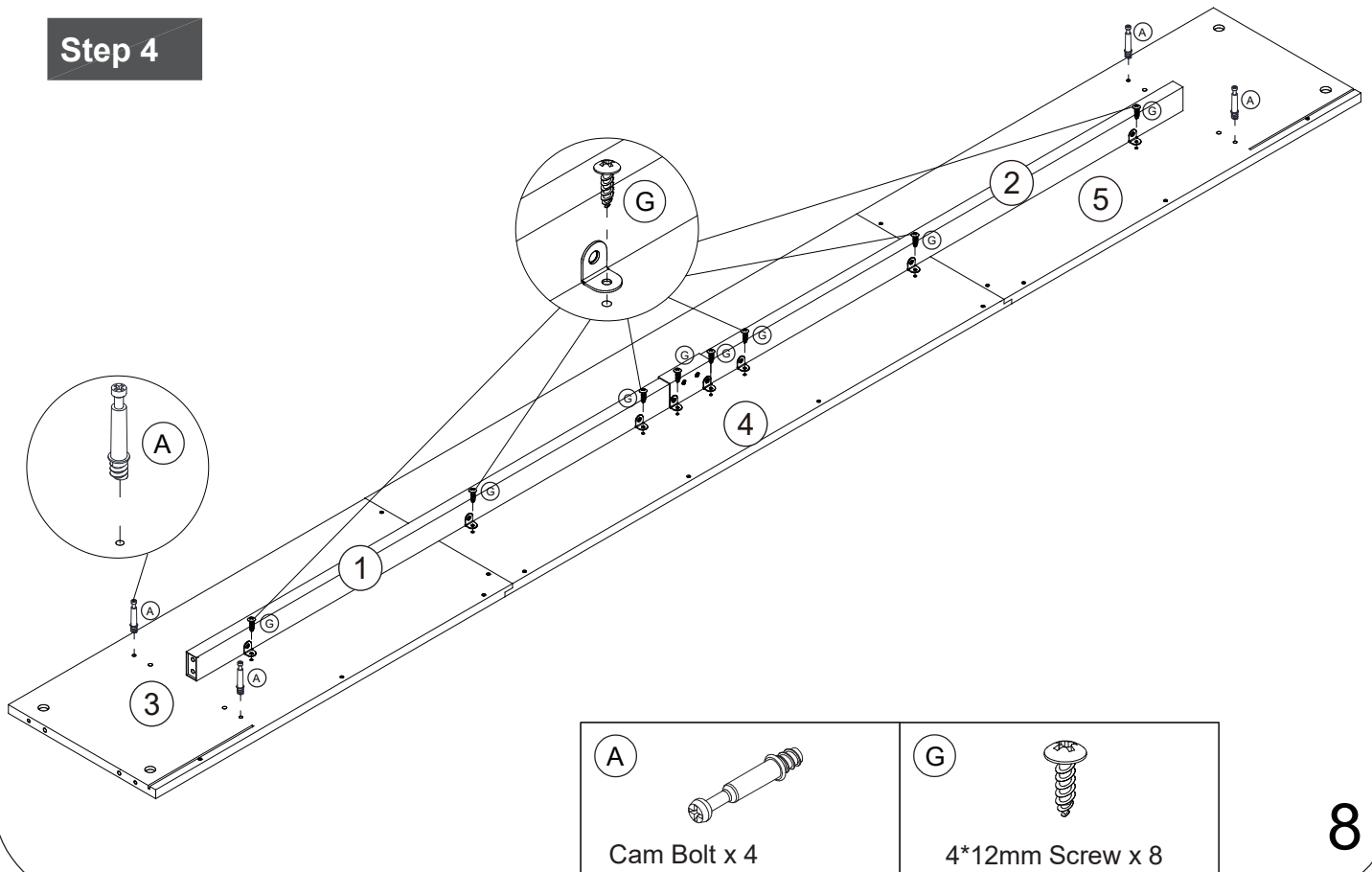
5*16mm Screw x 4

Assembly Instructions

Step 3

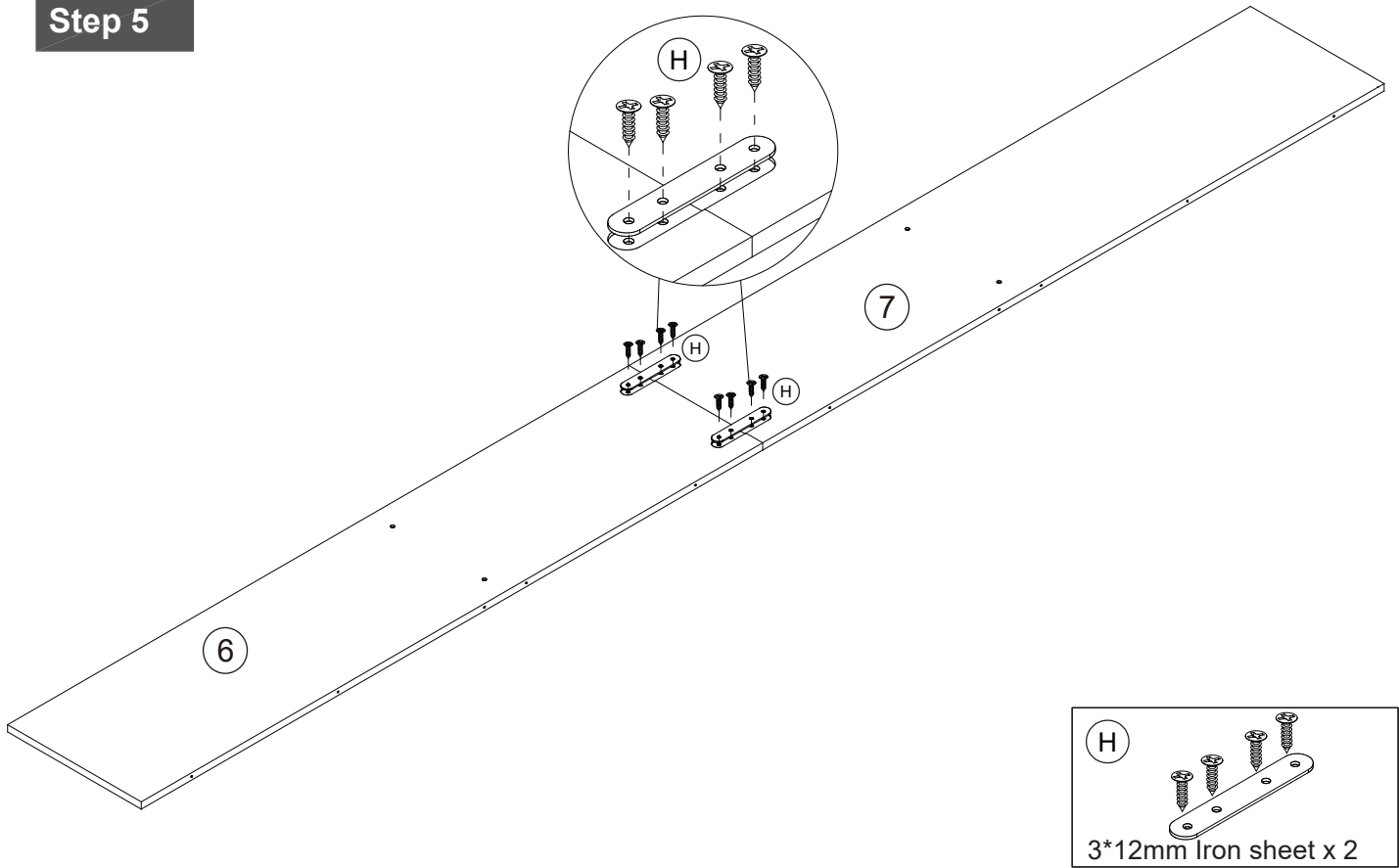


Step 4

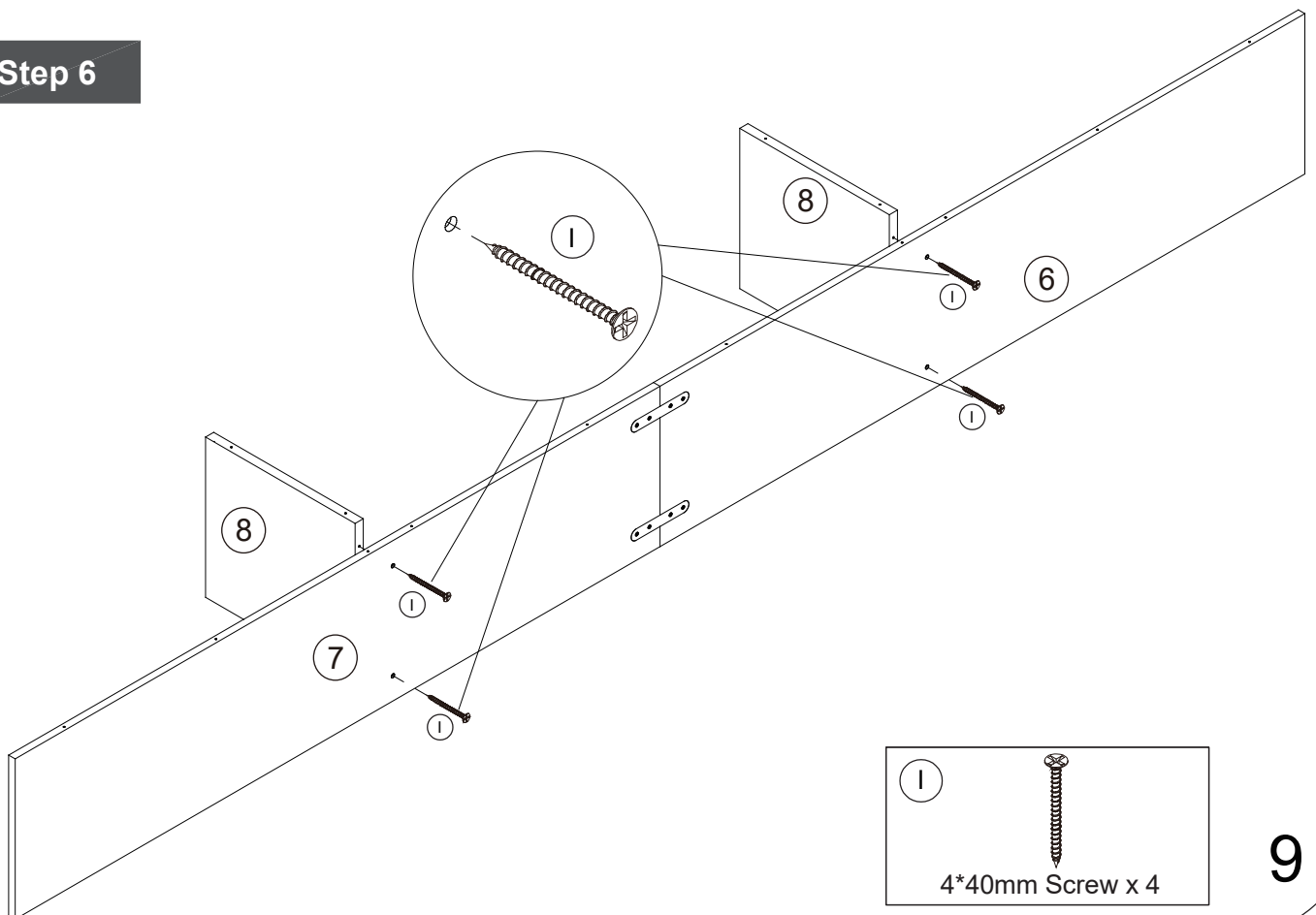


Assembly Instructions

Step 5

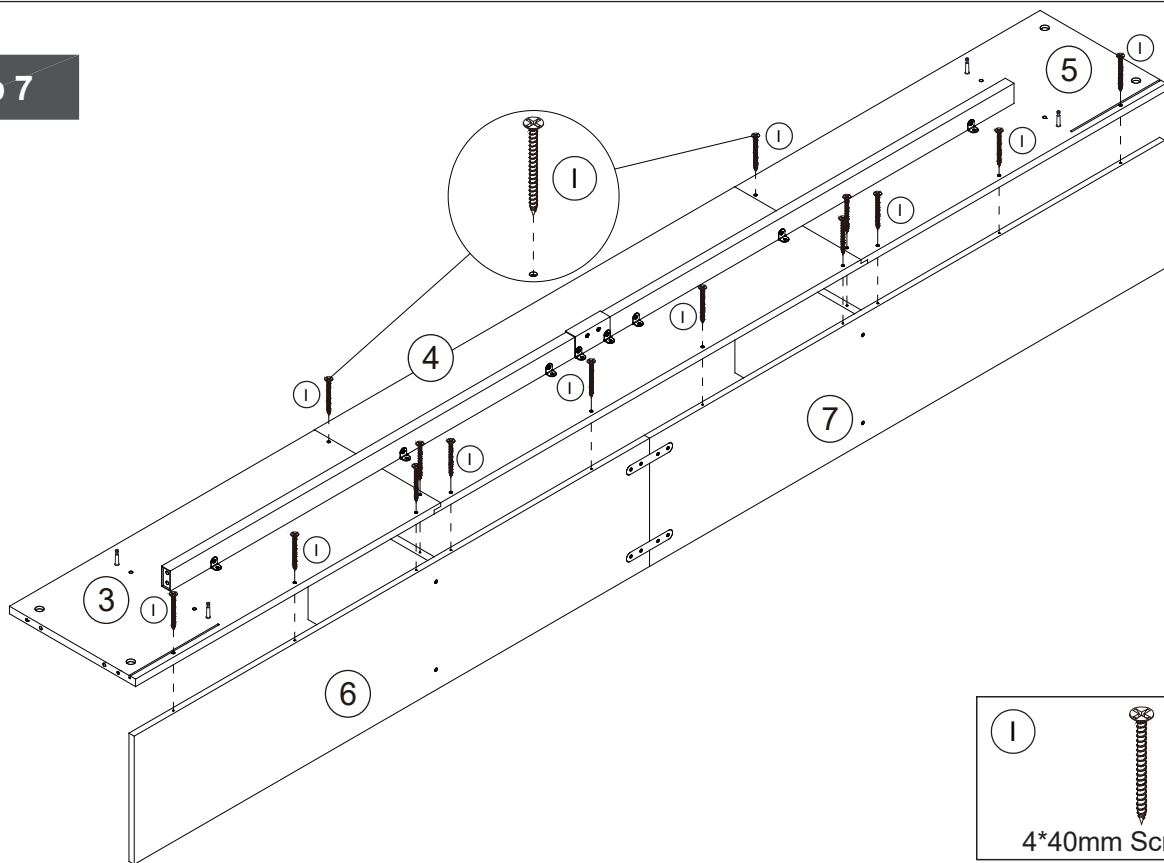


Step 6

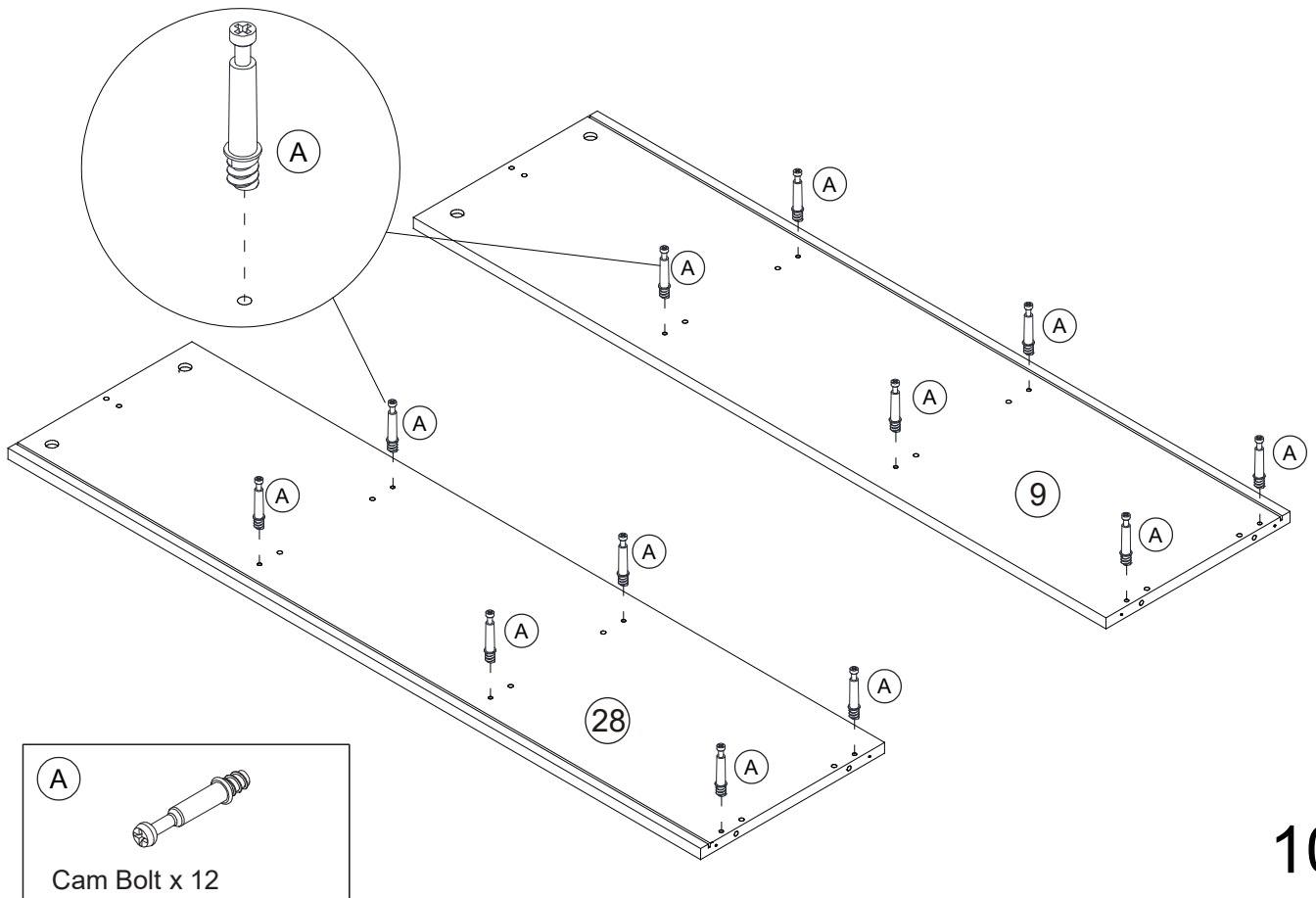


Assembly Instructions

Step 7

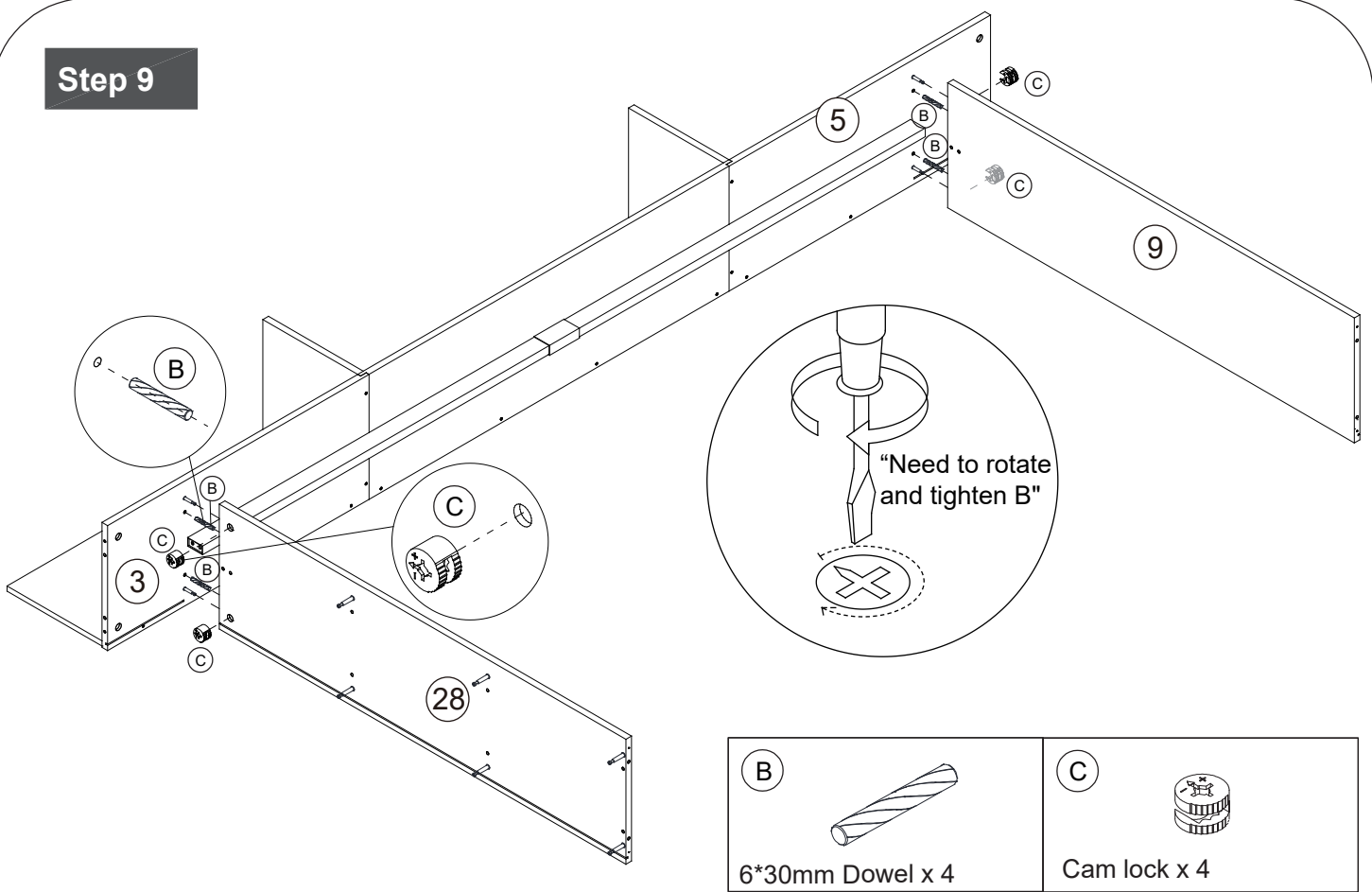


Step 8

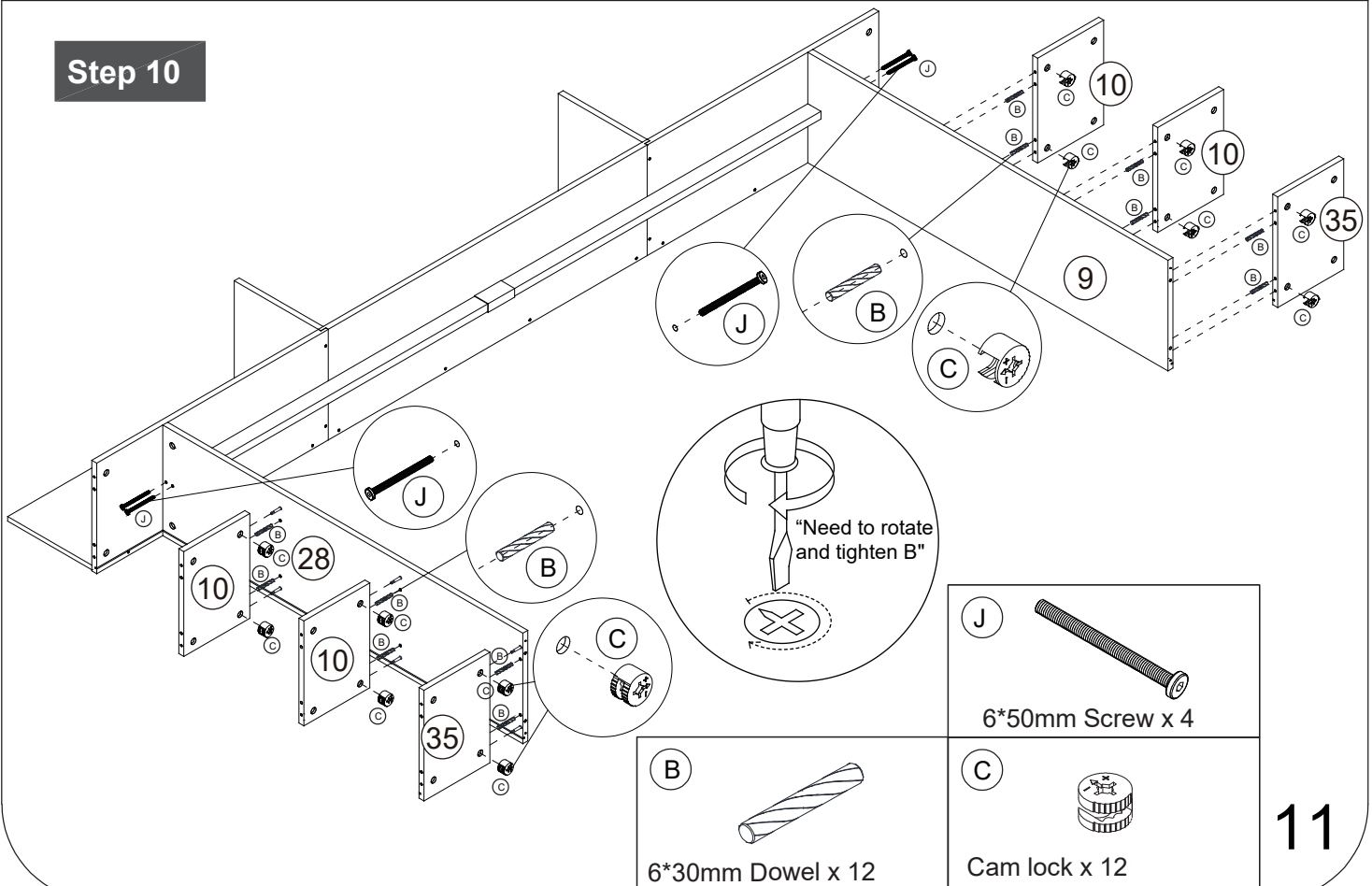


Assembly Instructions

Step 9

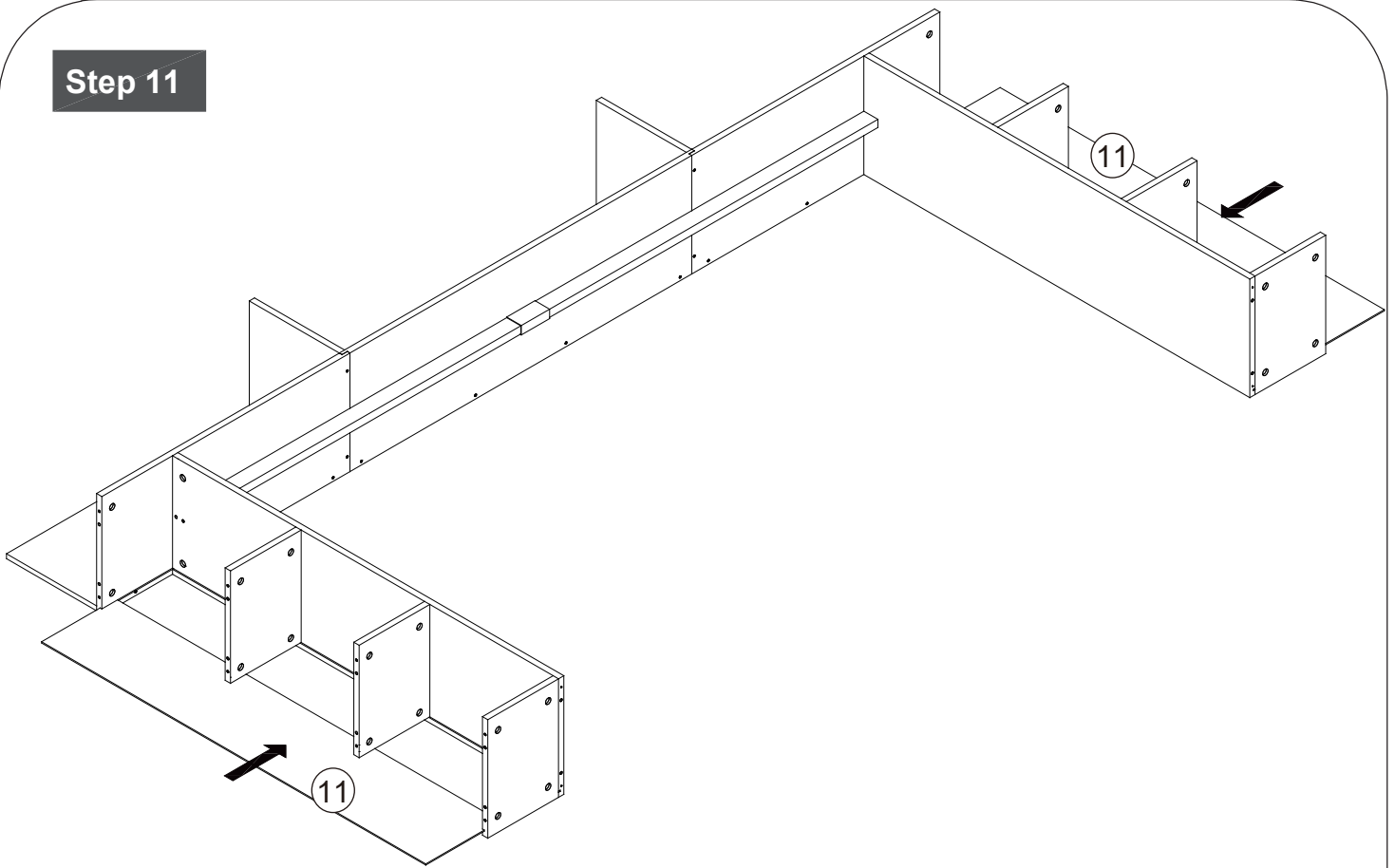


Step 10

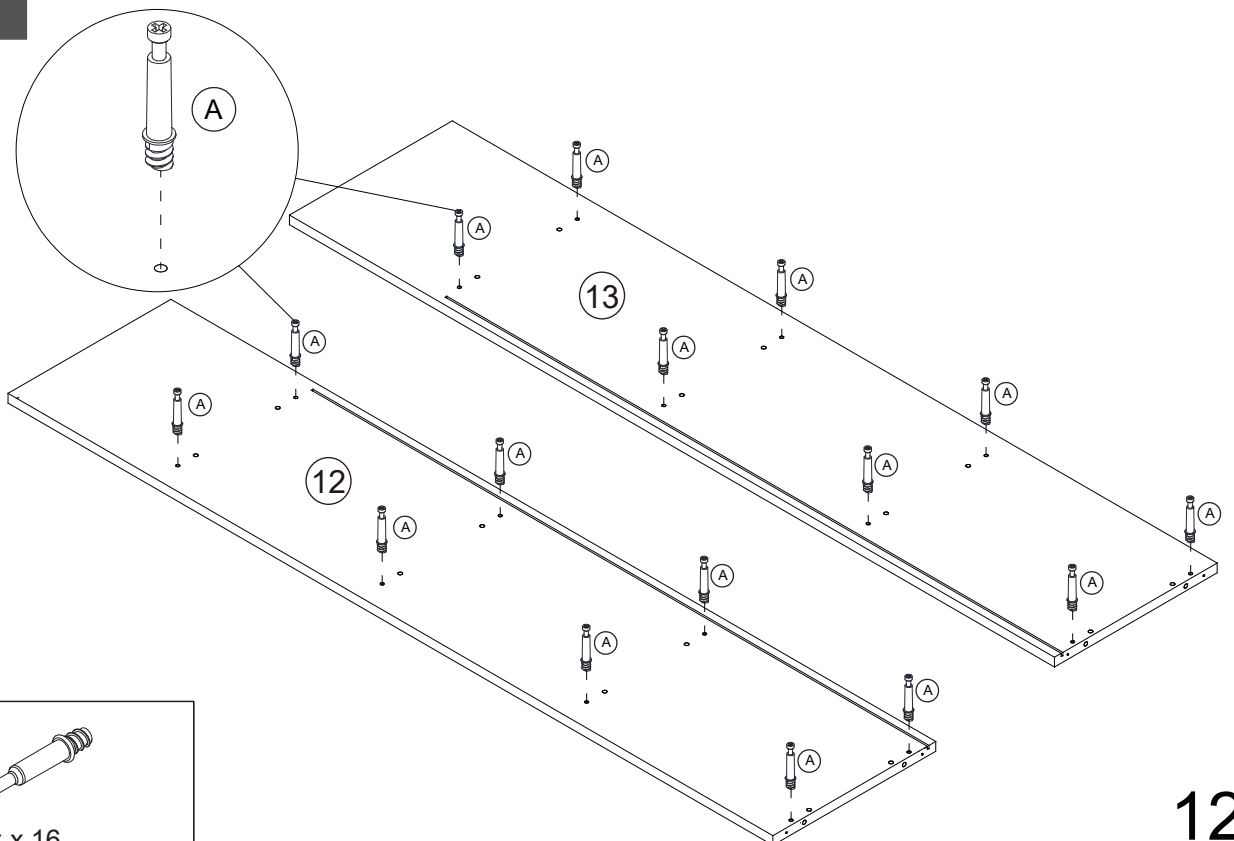


Assembly Instructions

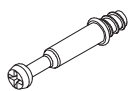
Step 11



Step 12



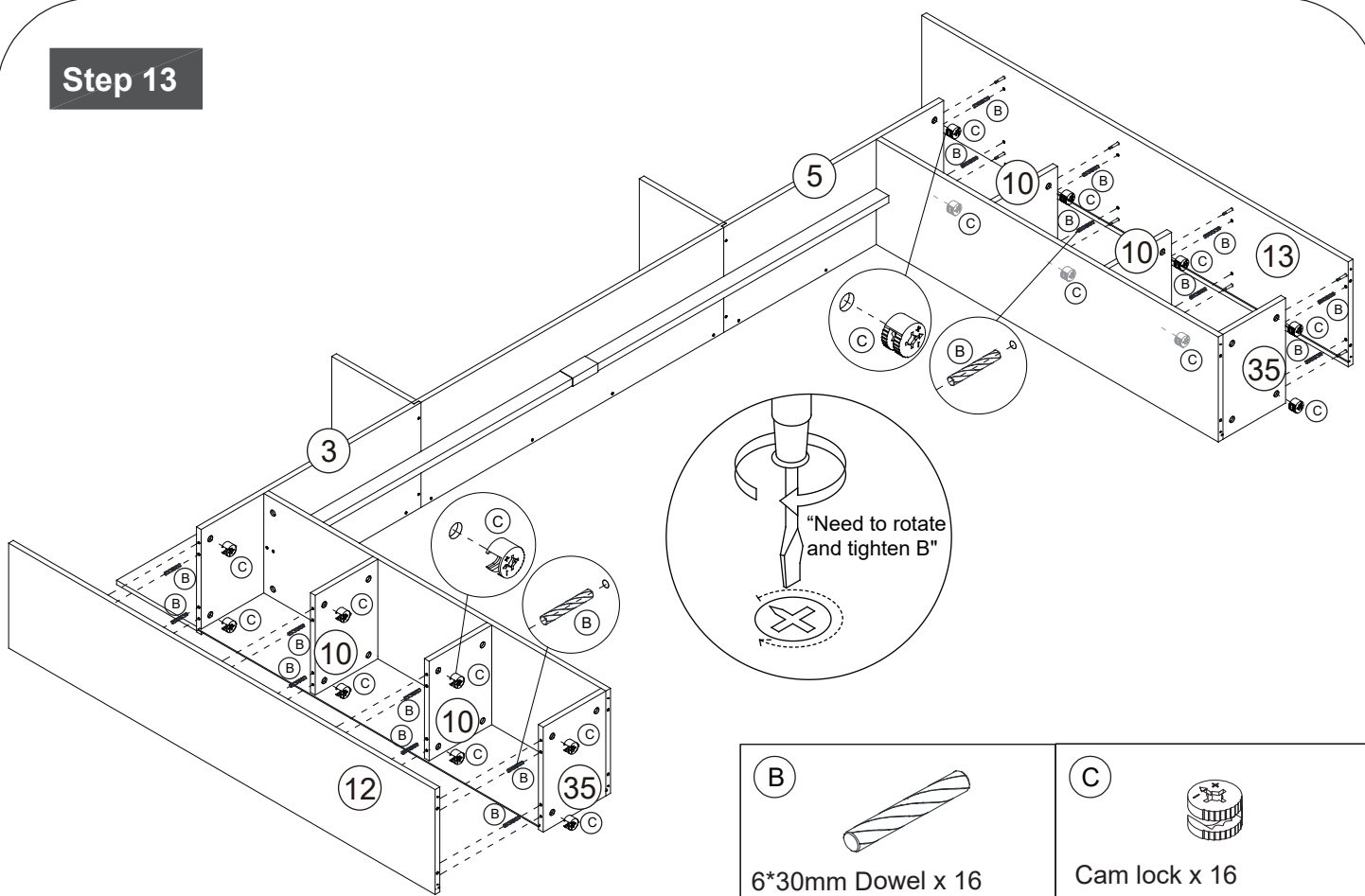
A



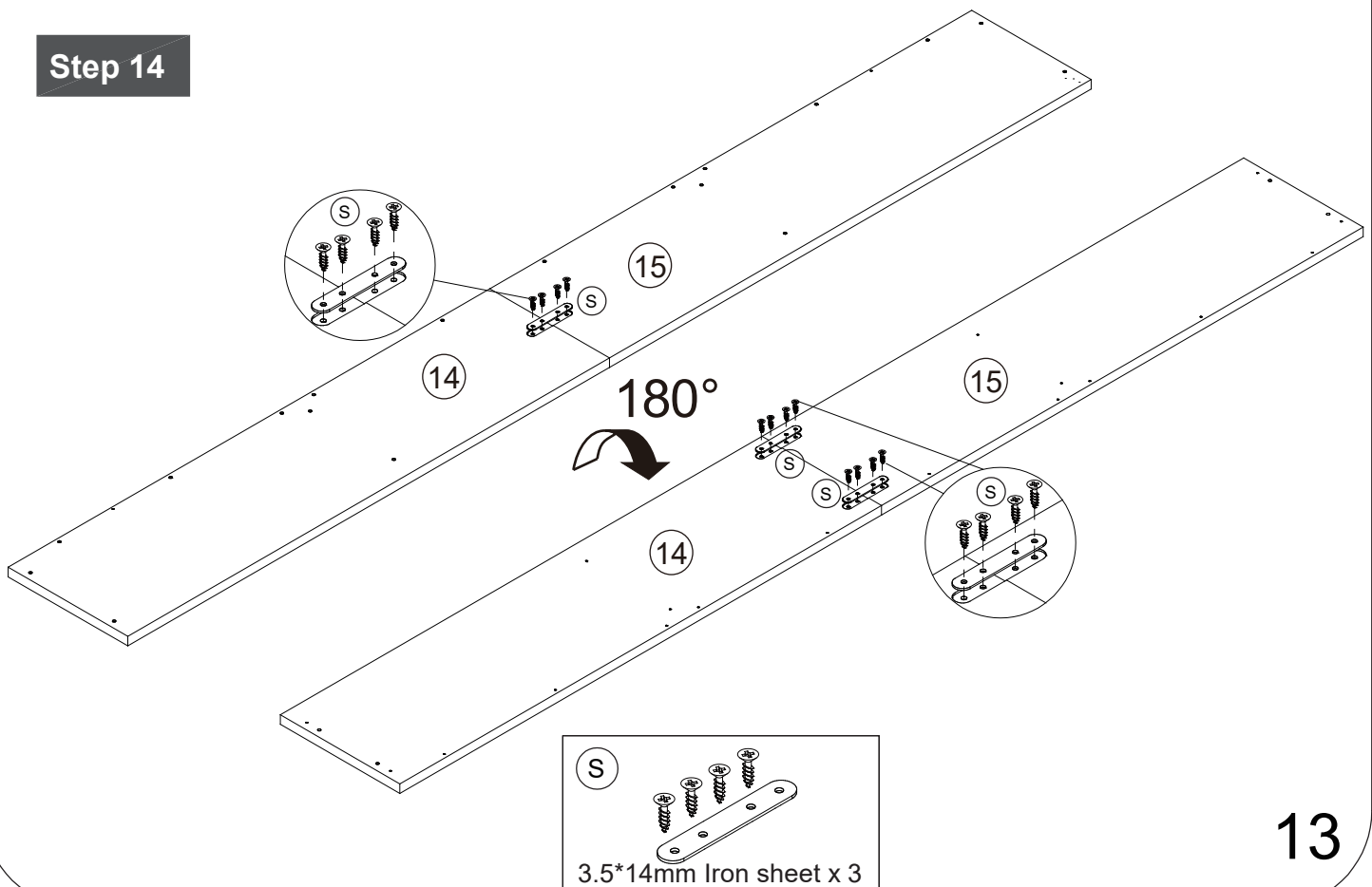
Cam Bolt x 16

Assembly Instructions

Step 13

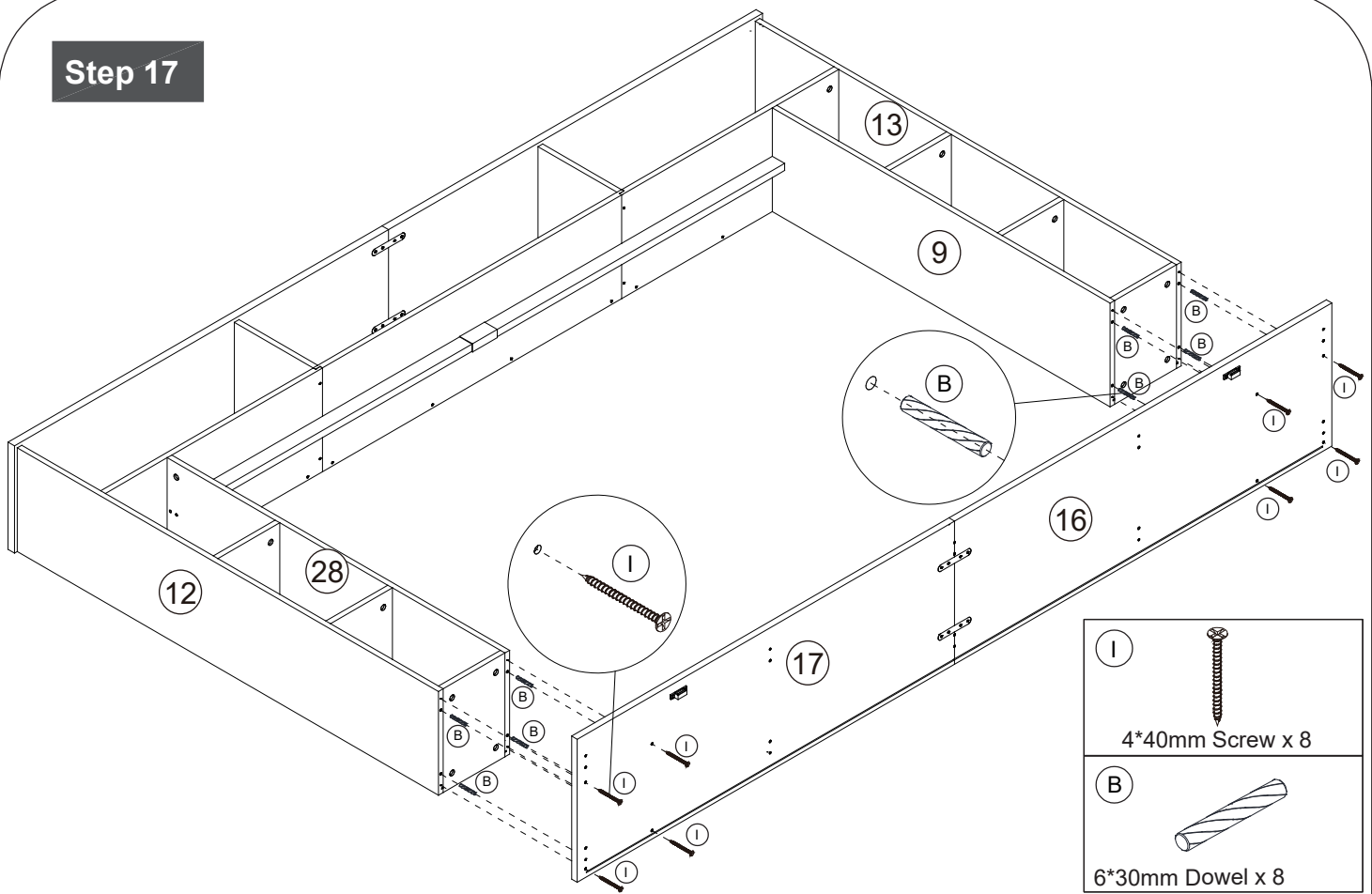


Step 14

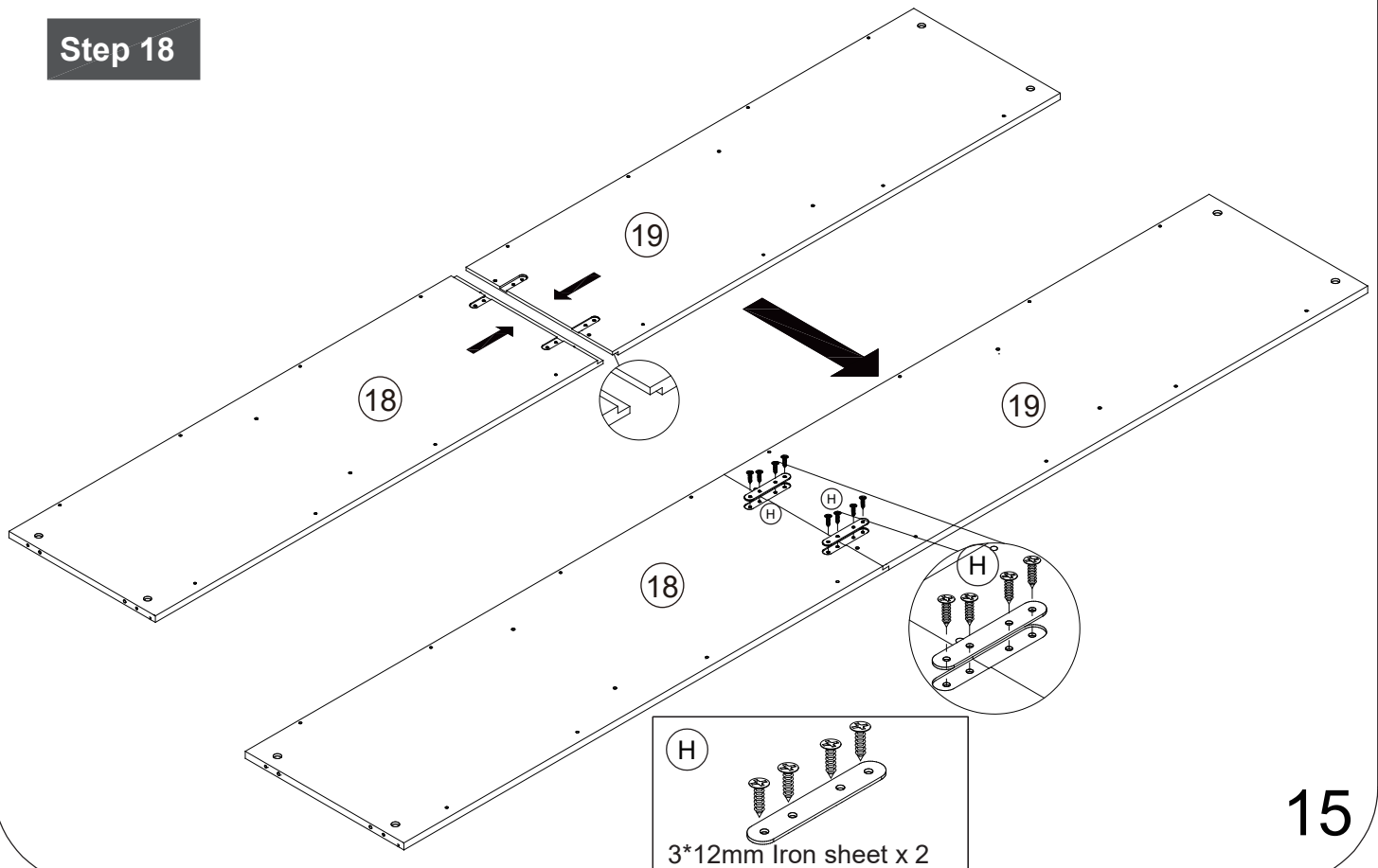


Assembly Instructions

Step 17

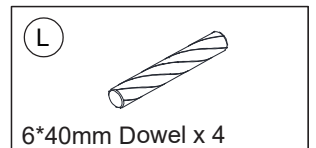
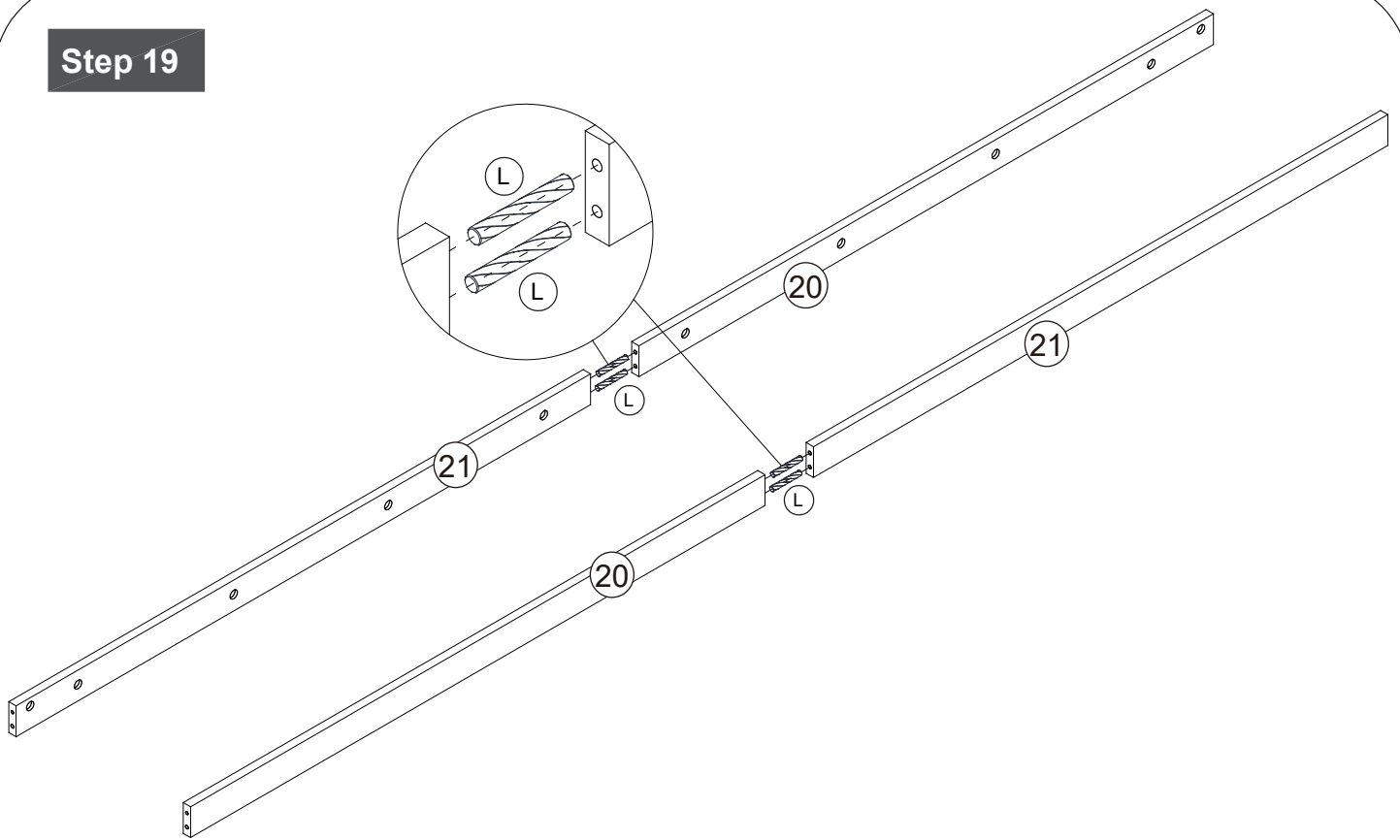


Step 18

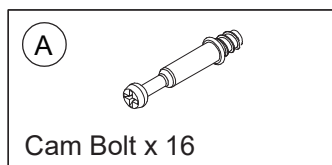
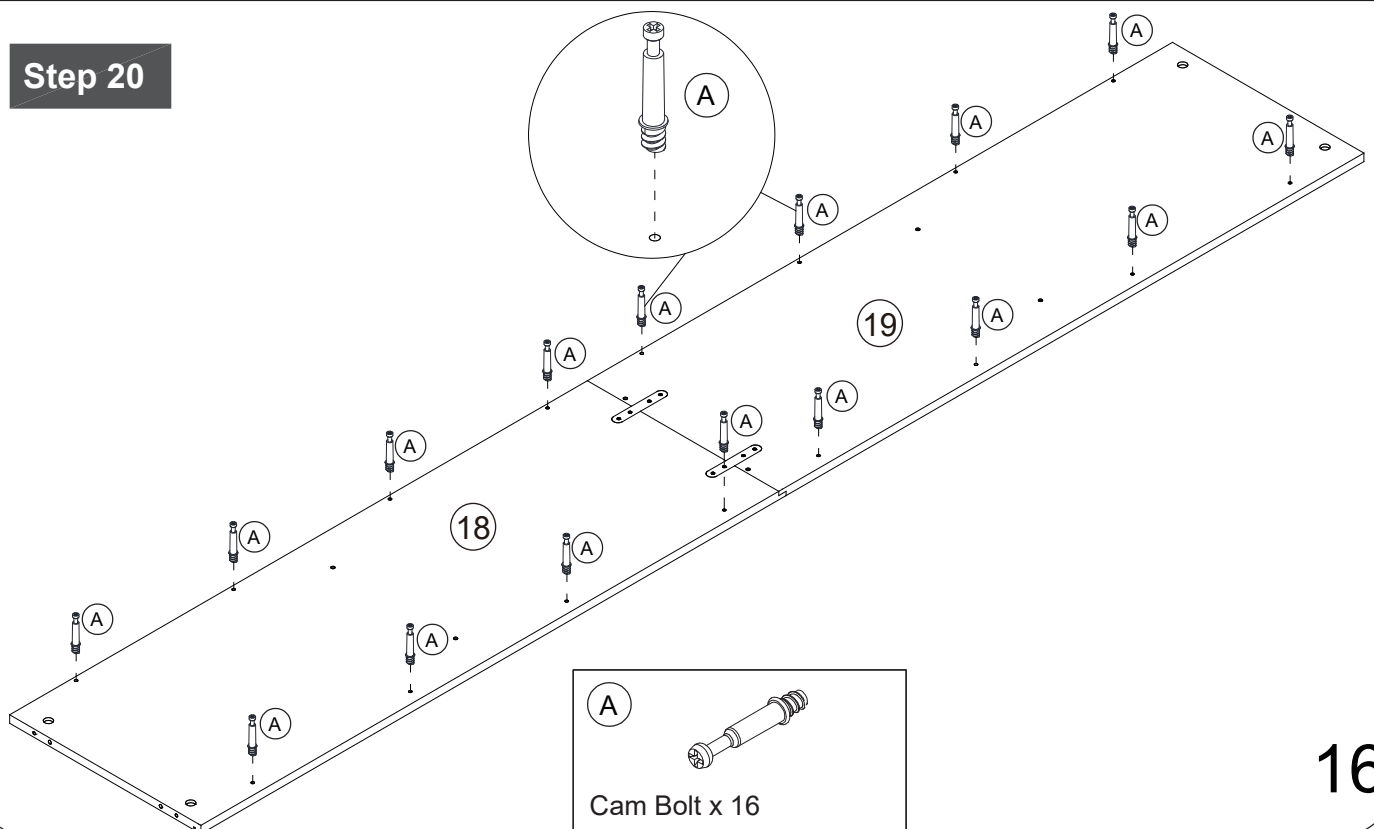


Assembly Instructions

Step 19

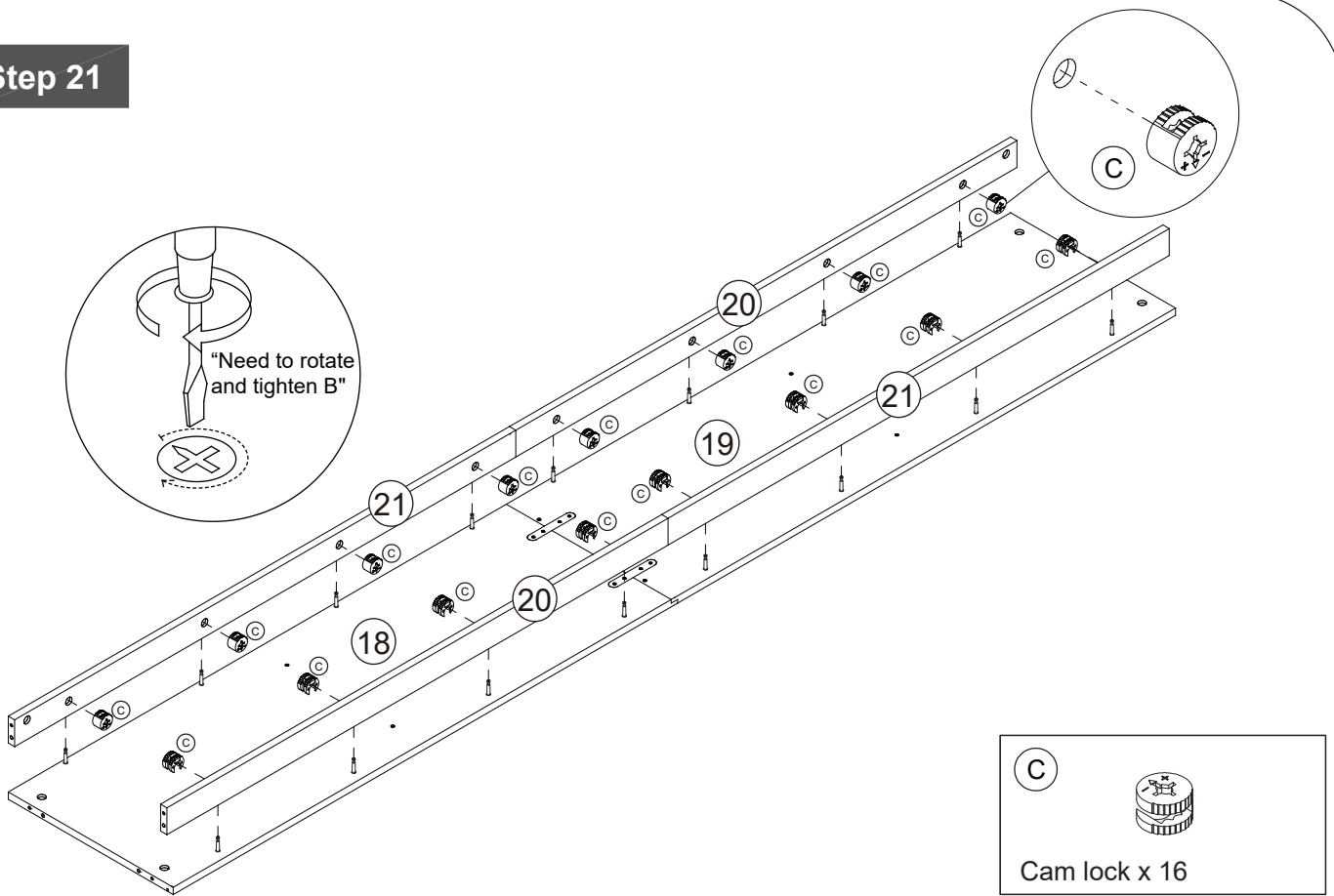


Step 20

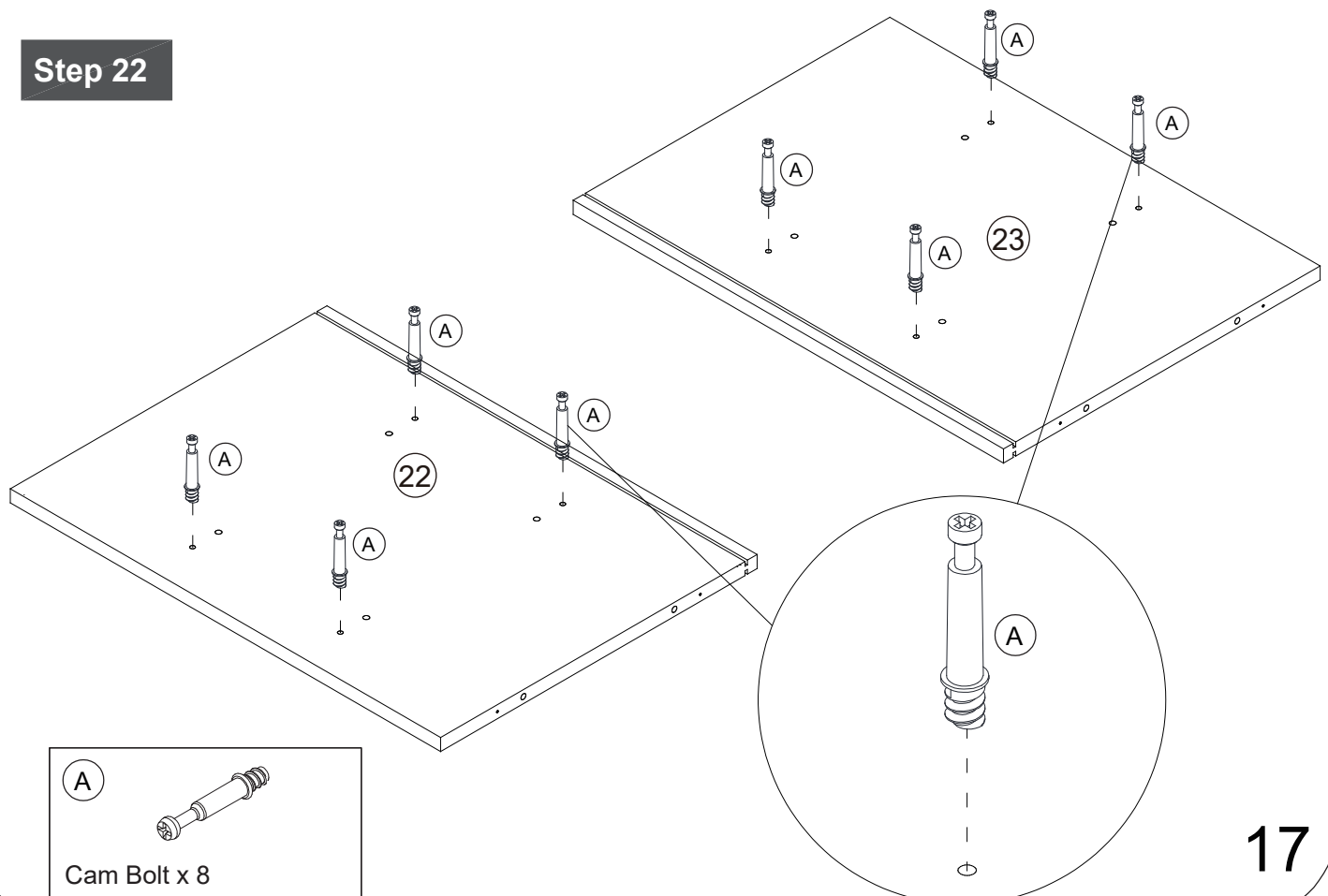


Assembly Instructions

Step 21

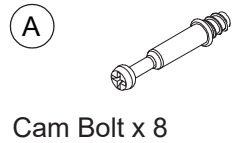
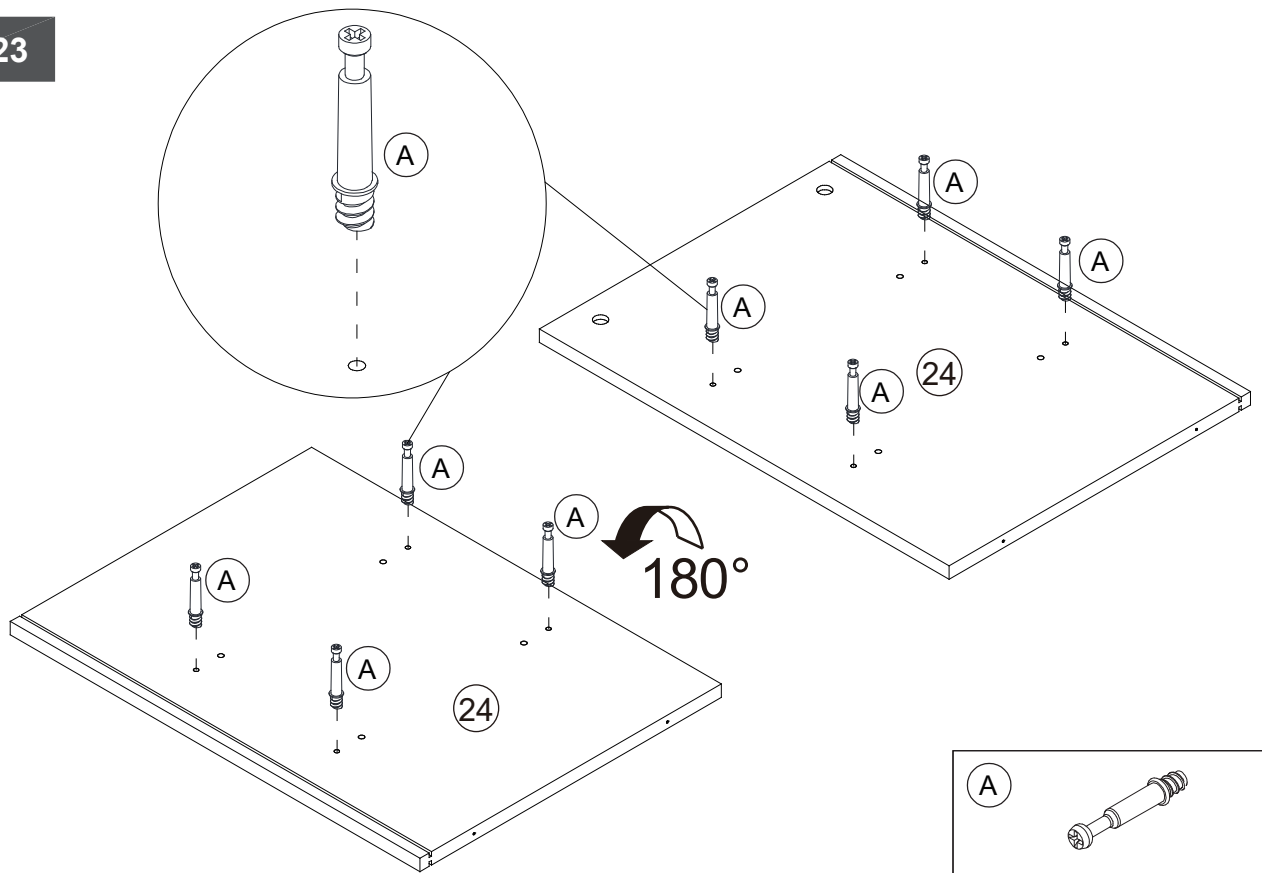


Step 22

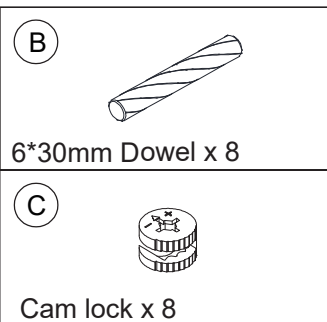
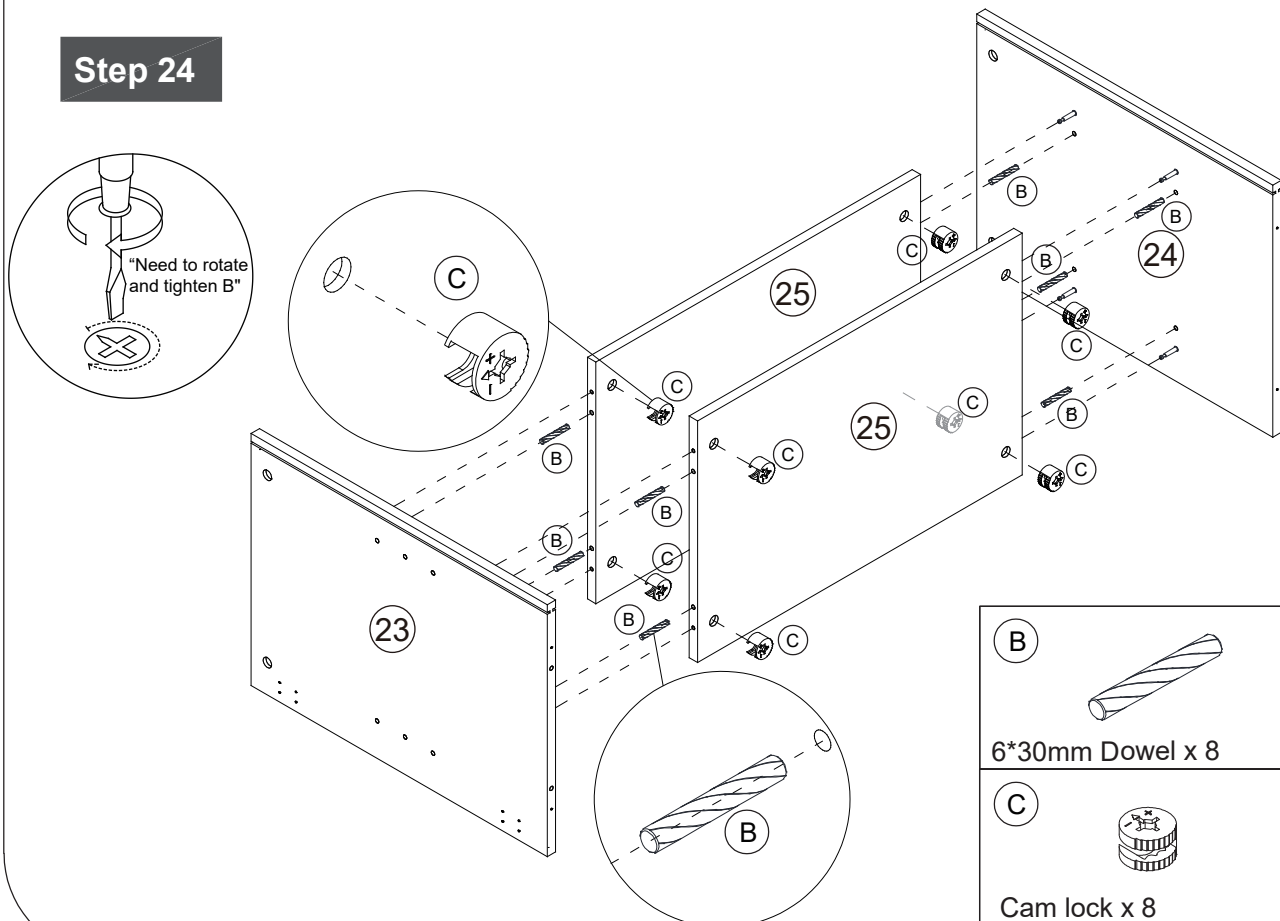


Assembly Instructions

Step 23

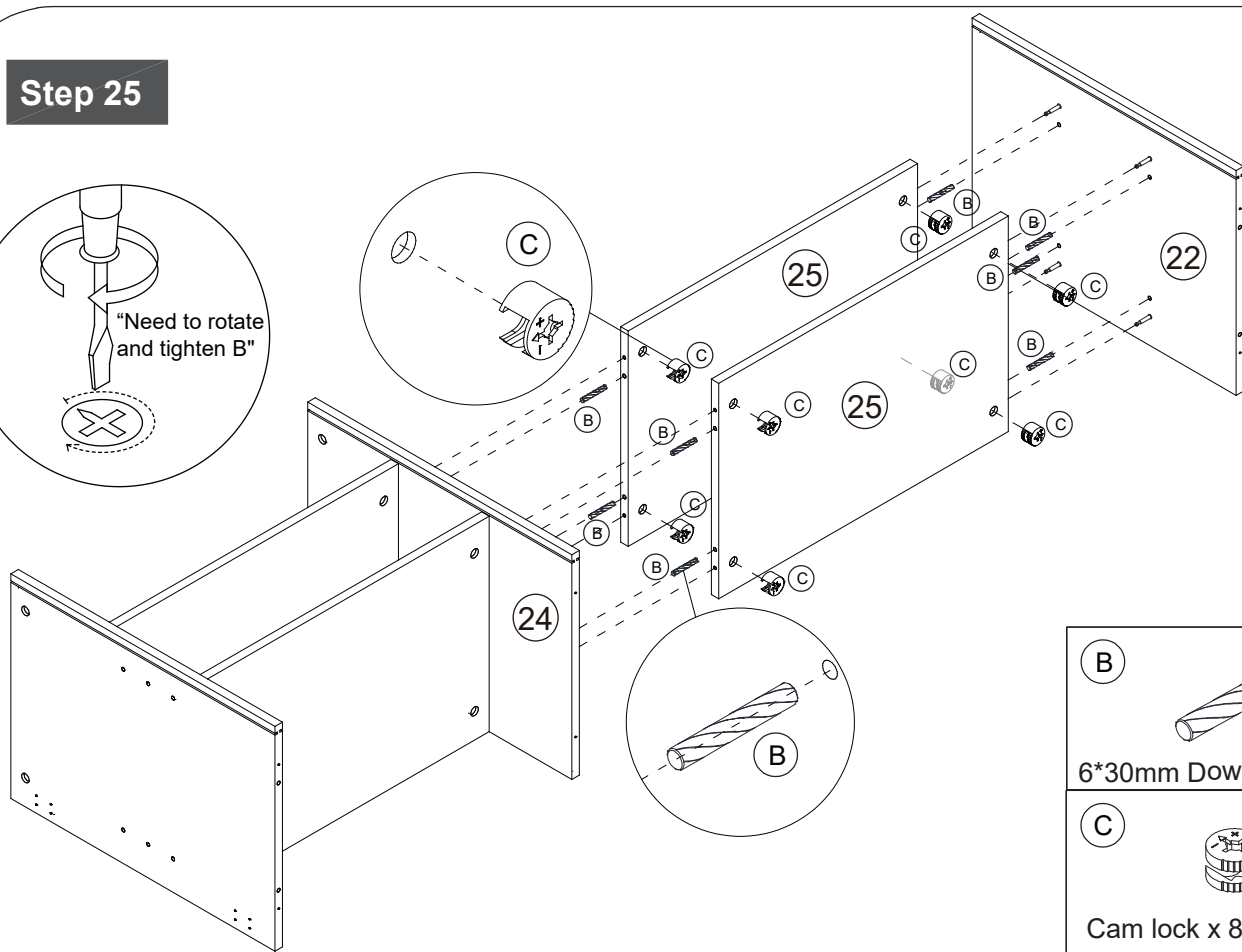
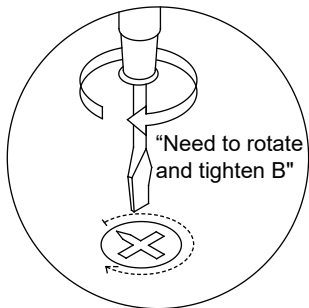


Step 24



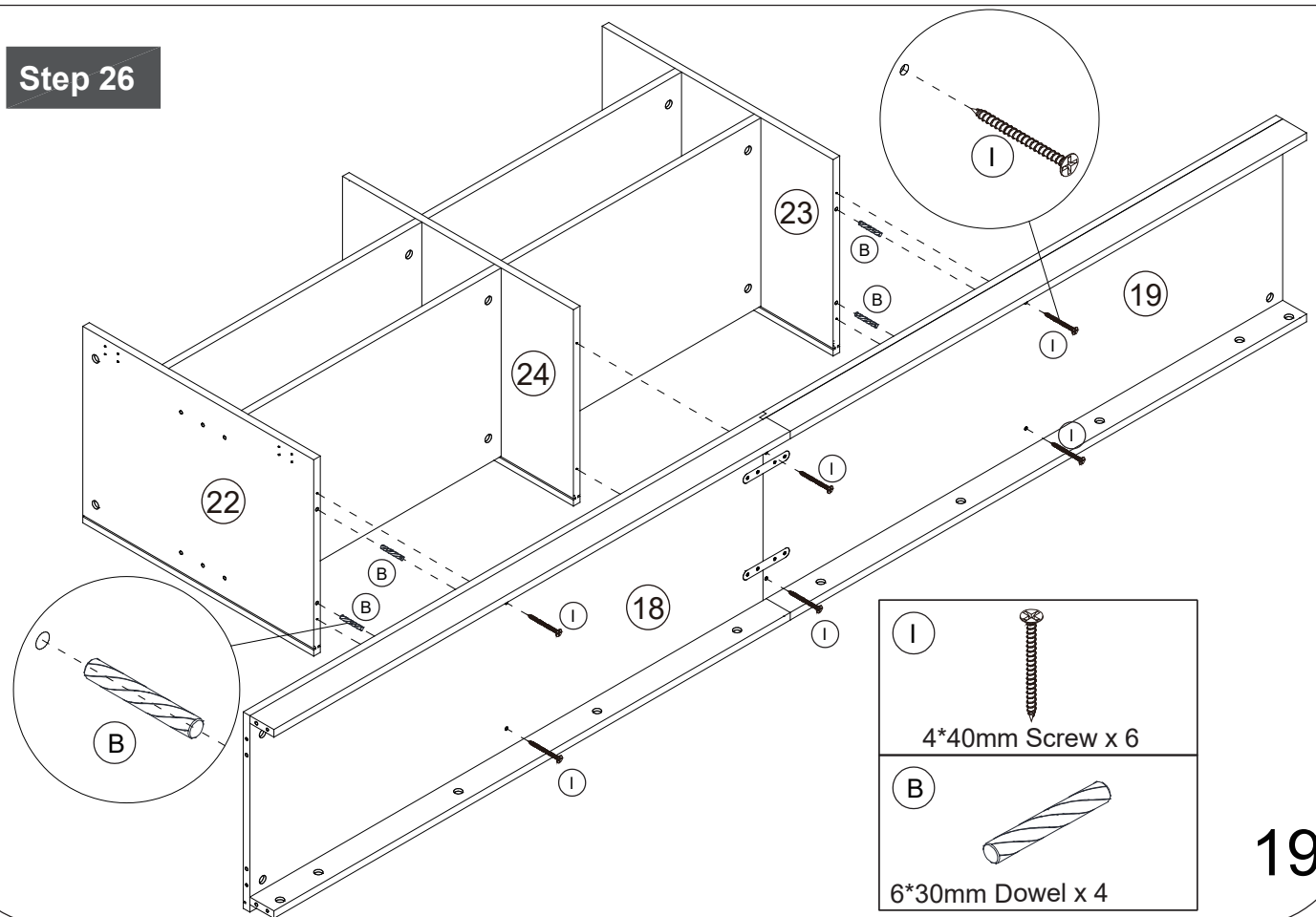
Assembly Instructions

Step 25



- | | |
|-----|--|
| (B) | |
| (C) | |

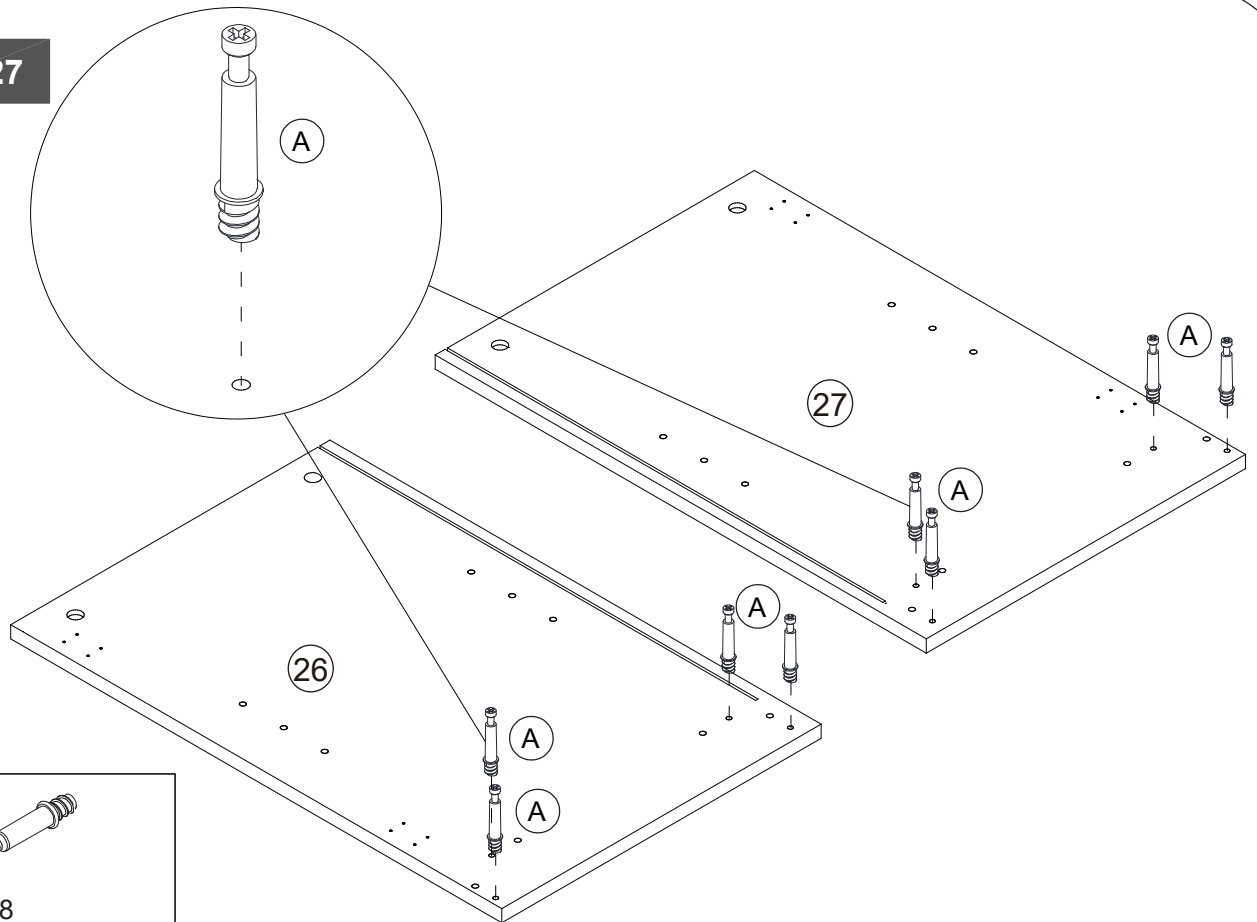
Step 26



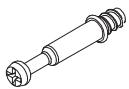
- | | |
|-----|--|
| (I) | |
| (B) | |

Assembly Instructions

Step 27

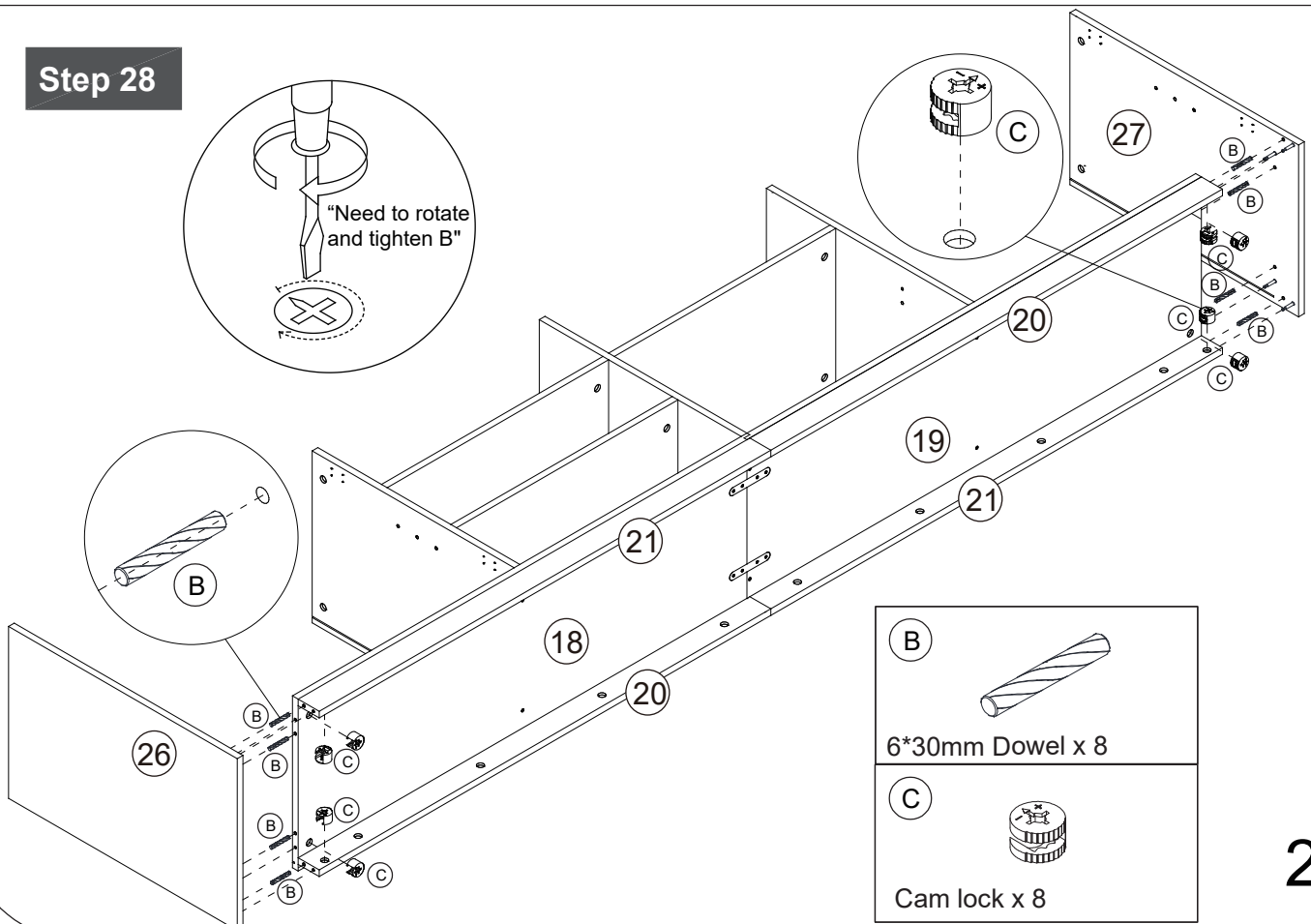


A



Cam Bolt x 8

Step 28



26

B

B

B

B

B

B

B

B

B

B

B

B

B

B

B

B

B

B

B

B

B

B

B

B

B

B

B

B

B

B

B

B

B

B

B

B

B

B

B

B

B

B

B

B

B

B

B

B

B

B

B

B

B

B

B

B

B

B

B

B

B

B

B

B

B

B

B

B

B

B

B

B

B

B

B

B

B

B

B

B

B

B

B

B

B

B

B

B

B

B

B

B

B

B

B

B

B

B

B

B

B

B

B

B

B

B

B

B

B

B

B

B

B

B

B

B

B

B

B

B

B

B

B

B

B

B

B

B

B

B

B

B

B

B

B

B

B

B

B

B

B

B

B

B

B

B

B

B

B

B

B

B

B

B

B

B

B

B

B

B

B

B

B

B

B

B

B

B

B

B

B

B

B

B

B

B

B

B

B

B

B

B

B

B

B

B

B

B

B

B

B

B

B

B

B

B

B

B

B

B

B

B

B

B

B

B

B

B

B

B

B

B

B

B

B

B

B

B

B

B

B

B

B

B

B

B

B

B

B

B

B

B

B

B

B

B

B

B

B

B

B

B

B

B

B

B

B

B

B

B

B

B

B

B

B

B

B

B

B

B

B

B

B

B

B

B

B

B

B

B

B

B

B

B

B

B

B

B

B

B

B

B

B

B

B

B

B

B

B

B

B

B

B

B

B

B

B

B

B

B

B

B

B

B

B

B

B

B

B

B

B

B

B

B

B

B

B

B

B

B

B

B

B

B

B

B

B

B

B

B

B

B

B

B

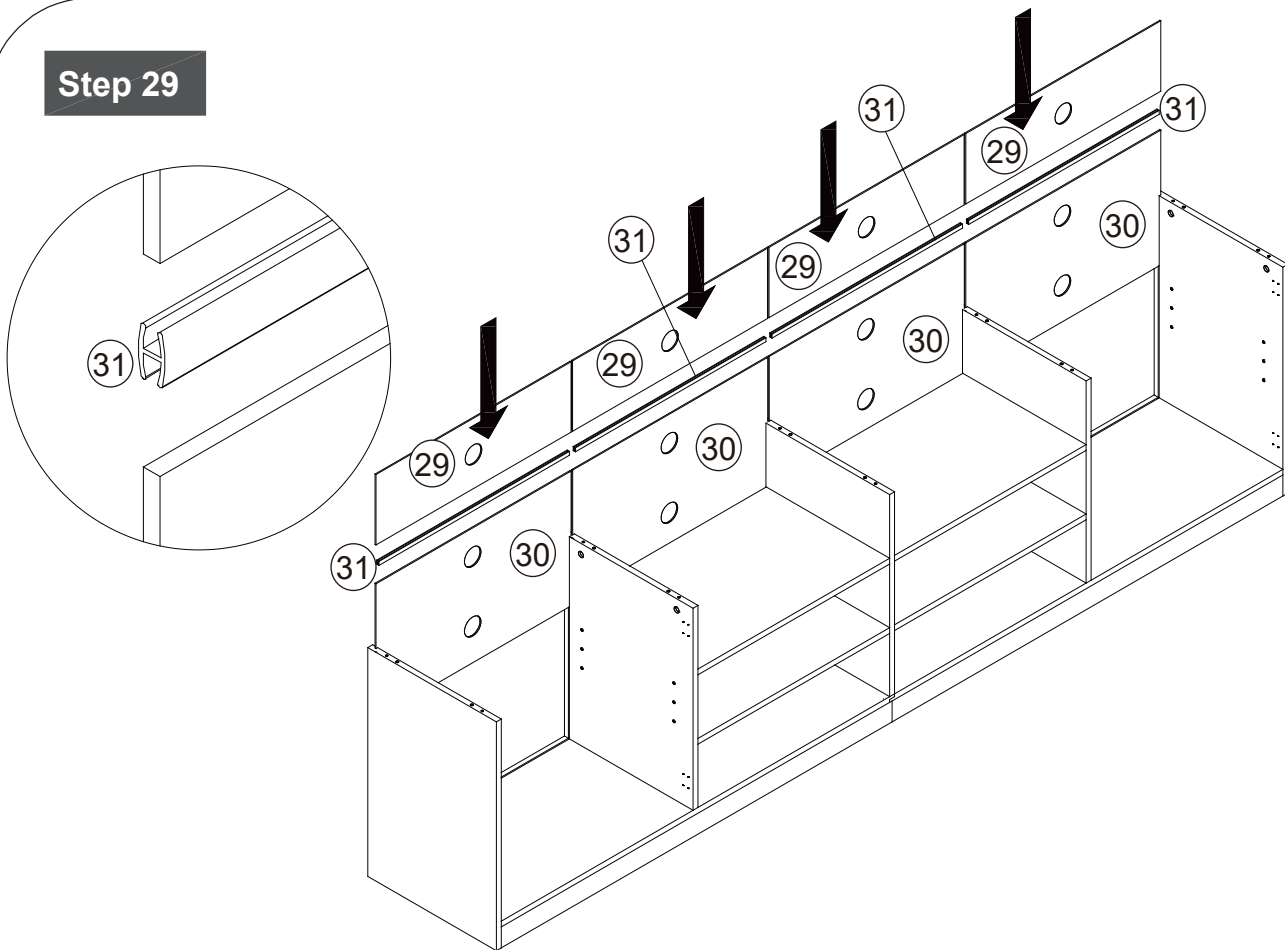
B

B

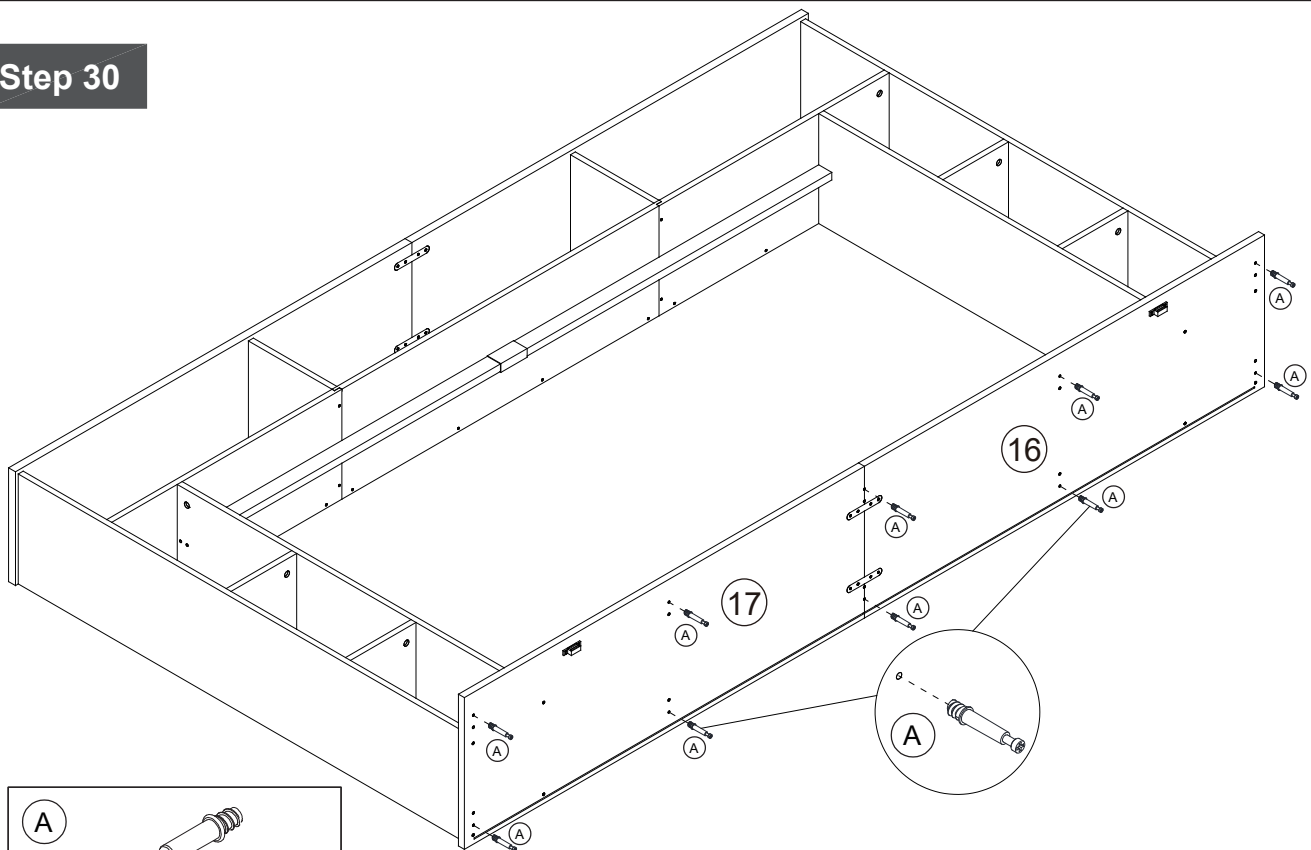
B

Assembly Instructions

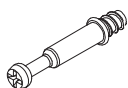
Step 29



Step 30



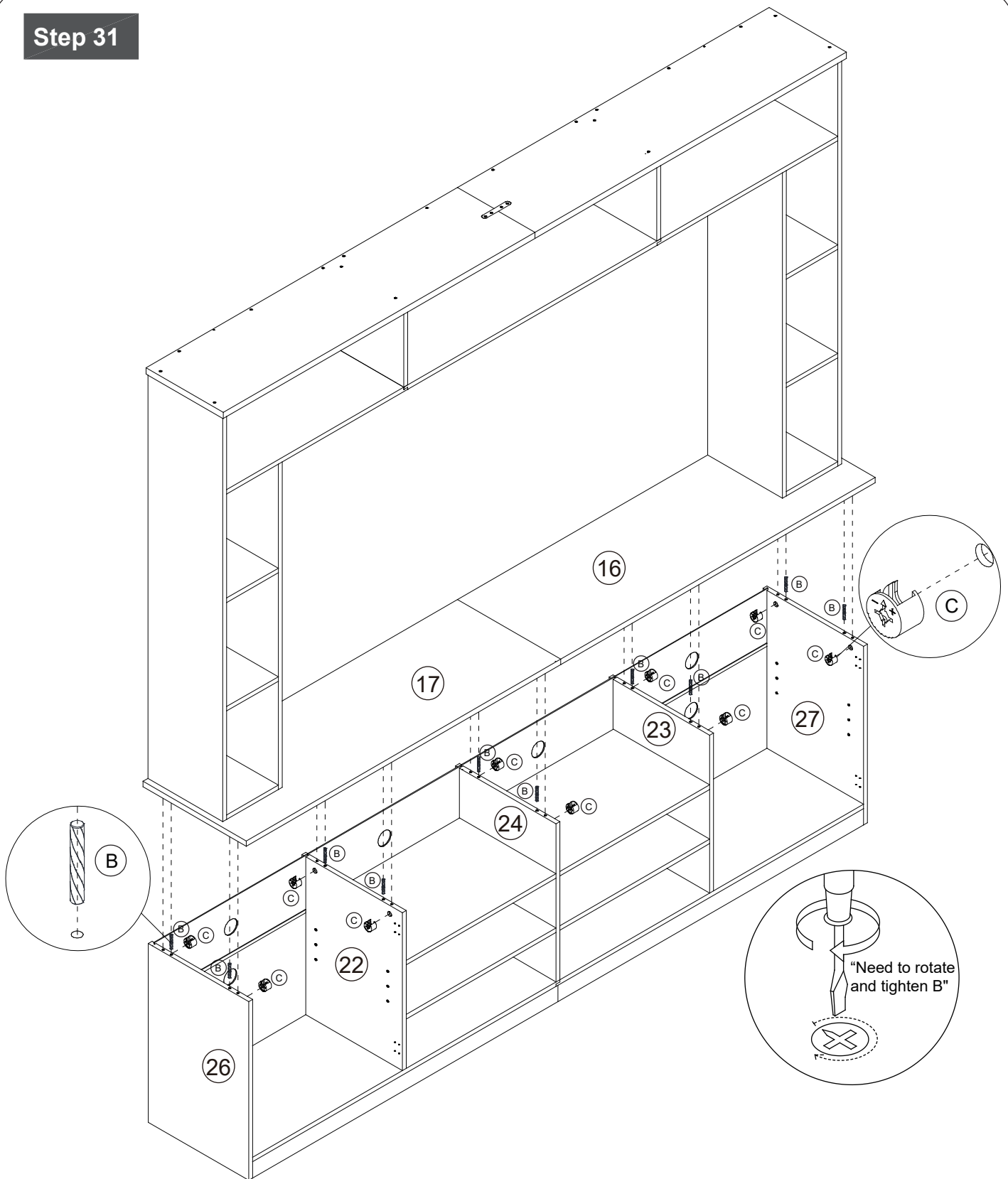
A





Cam Bolt x 10

Assembly Instructions

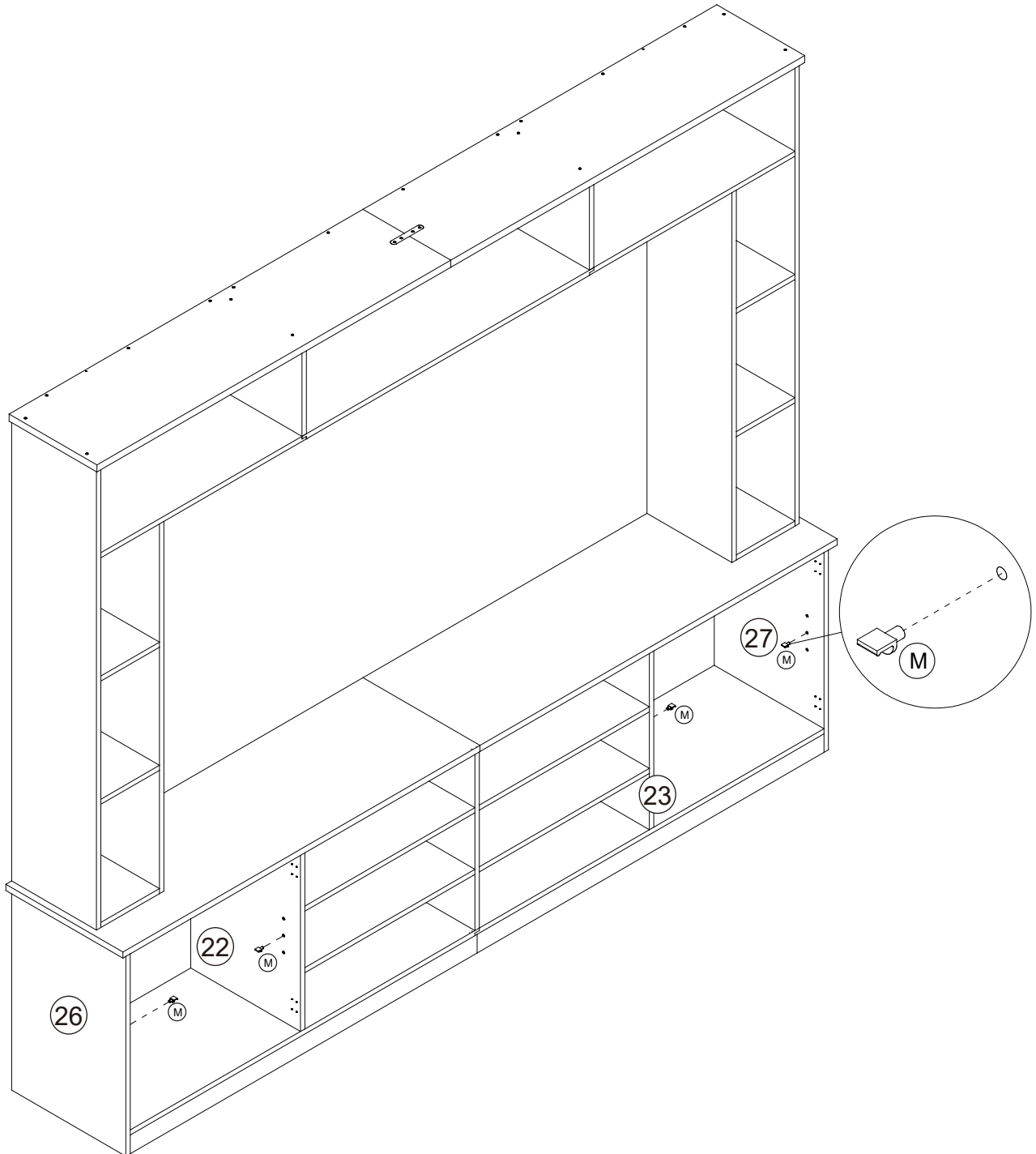
Step 31



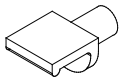
<p>B</p>  <p>6*30mm Dowel x 10</p>	<p>C</p>  <p>Cam lock x 10</p>
--	--

Assembly Instructions

Step 32



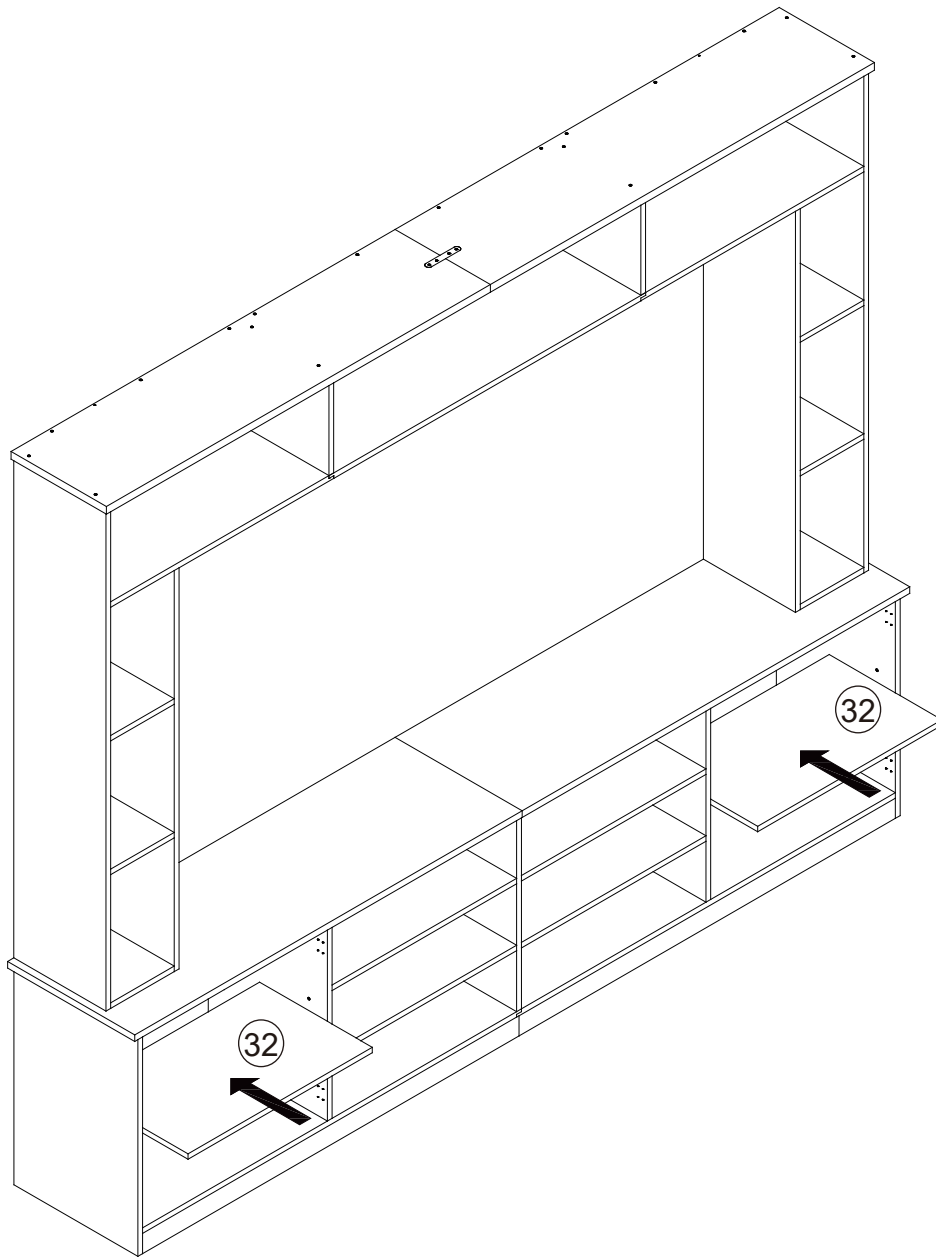
(M)



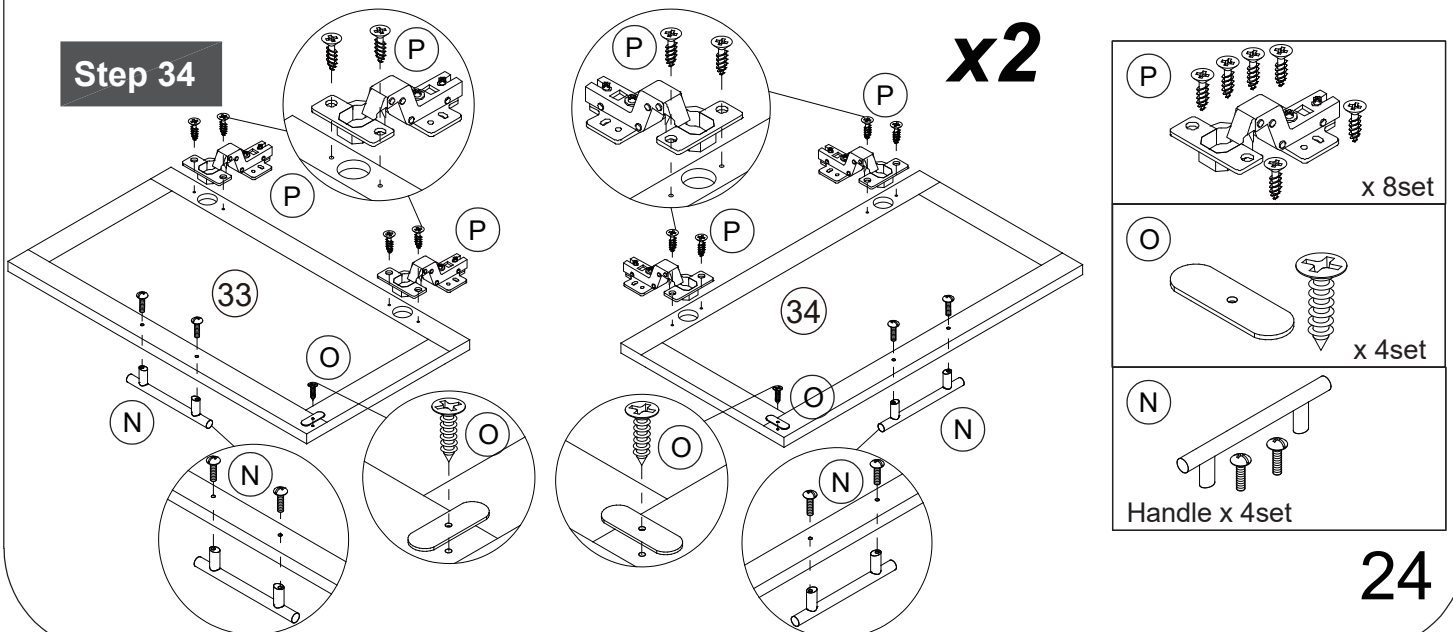
Laminate support x 8

Assembly Instructions

Step 33

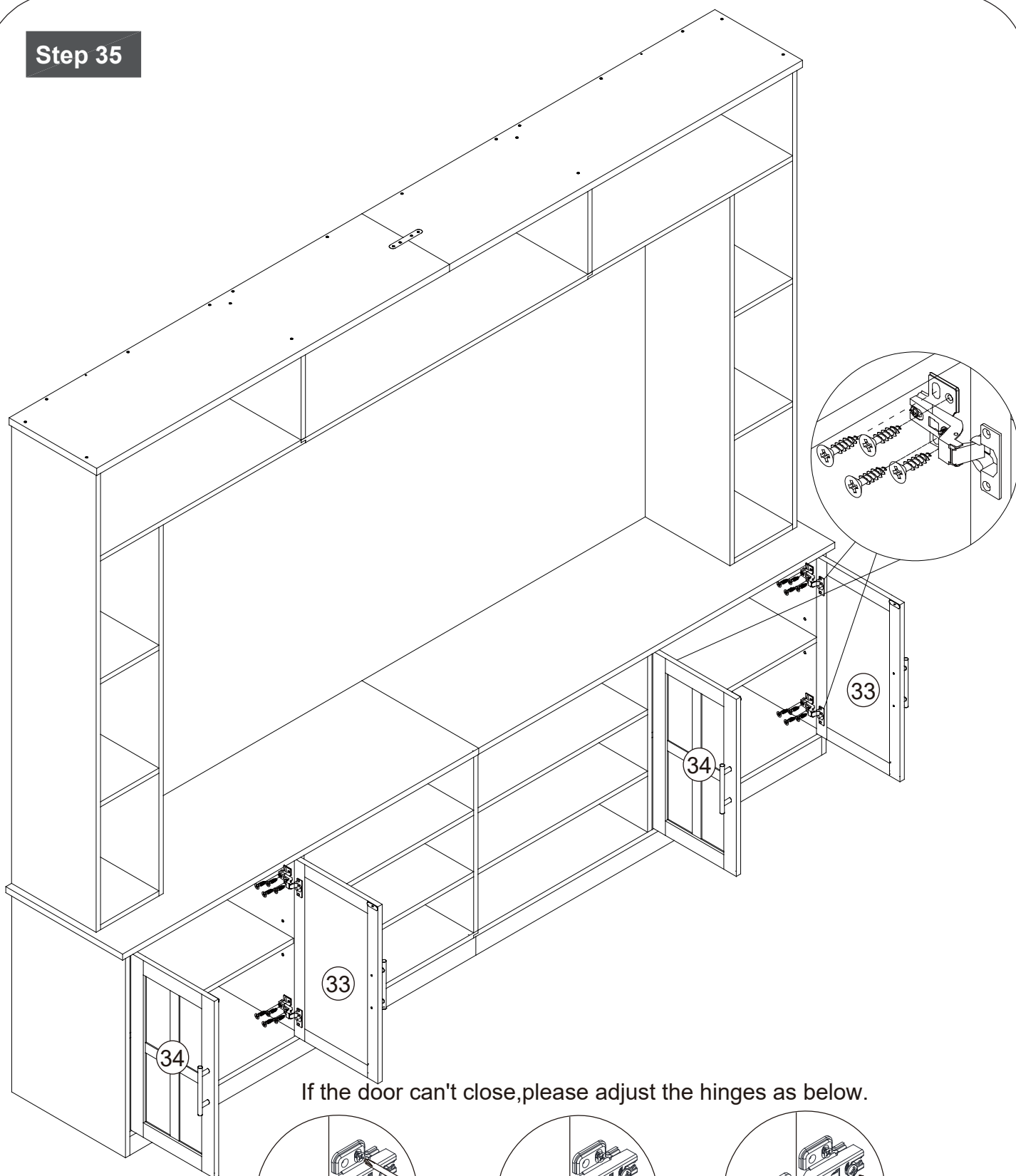


Step 34

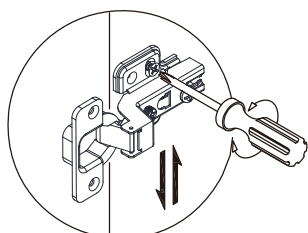


Assembly Instructions

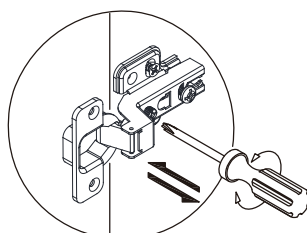
Step 35



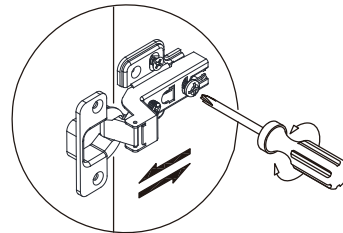
If the door can't close, please adjust the hinges as below.



This is used to adjust the door panel in the up and down direction.



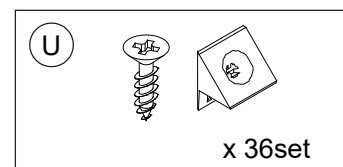
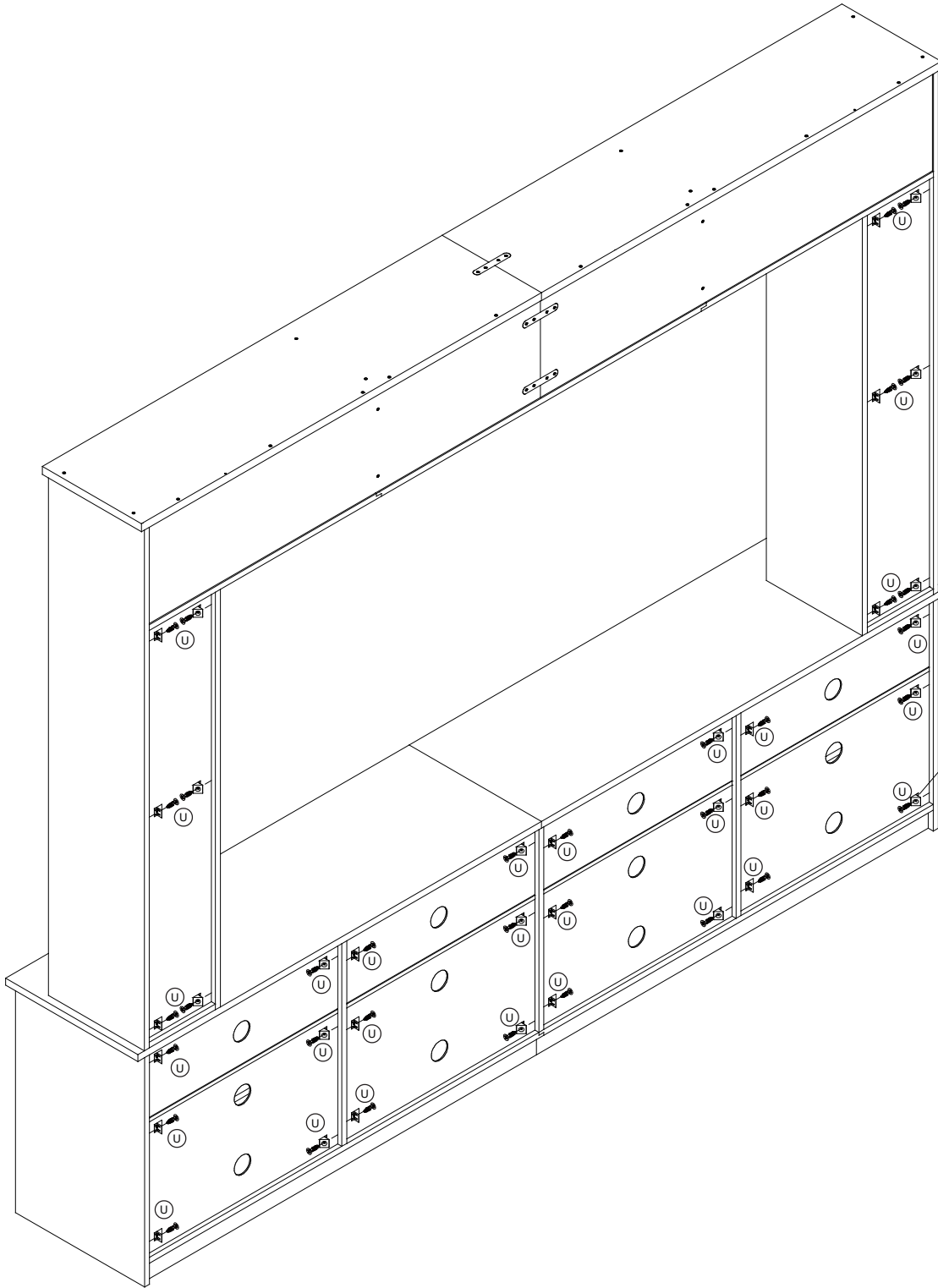
This is used to adjust the door panel in the left and right direction.



This is used to adjust the door panel in the front and rear.

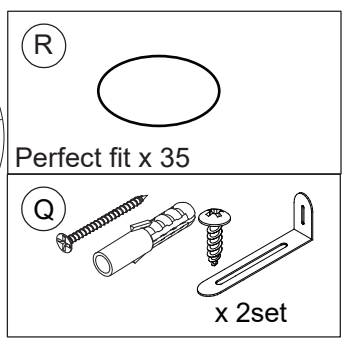
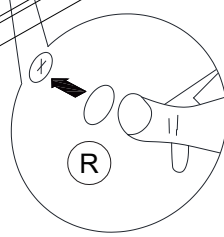
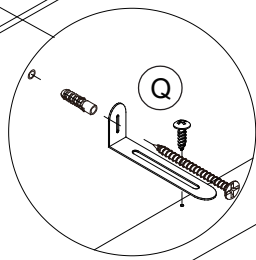
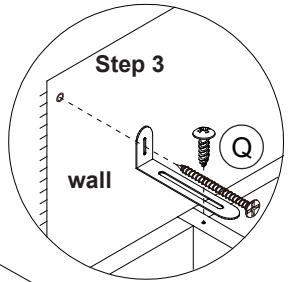
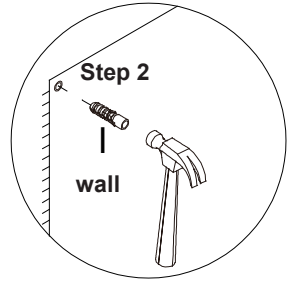
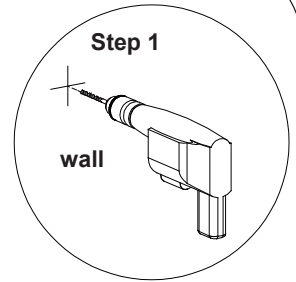
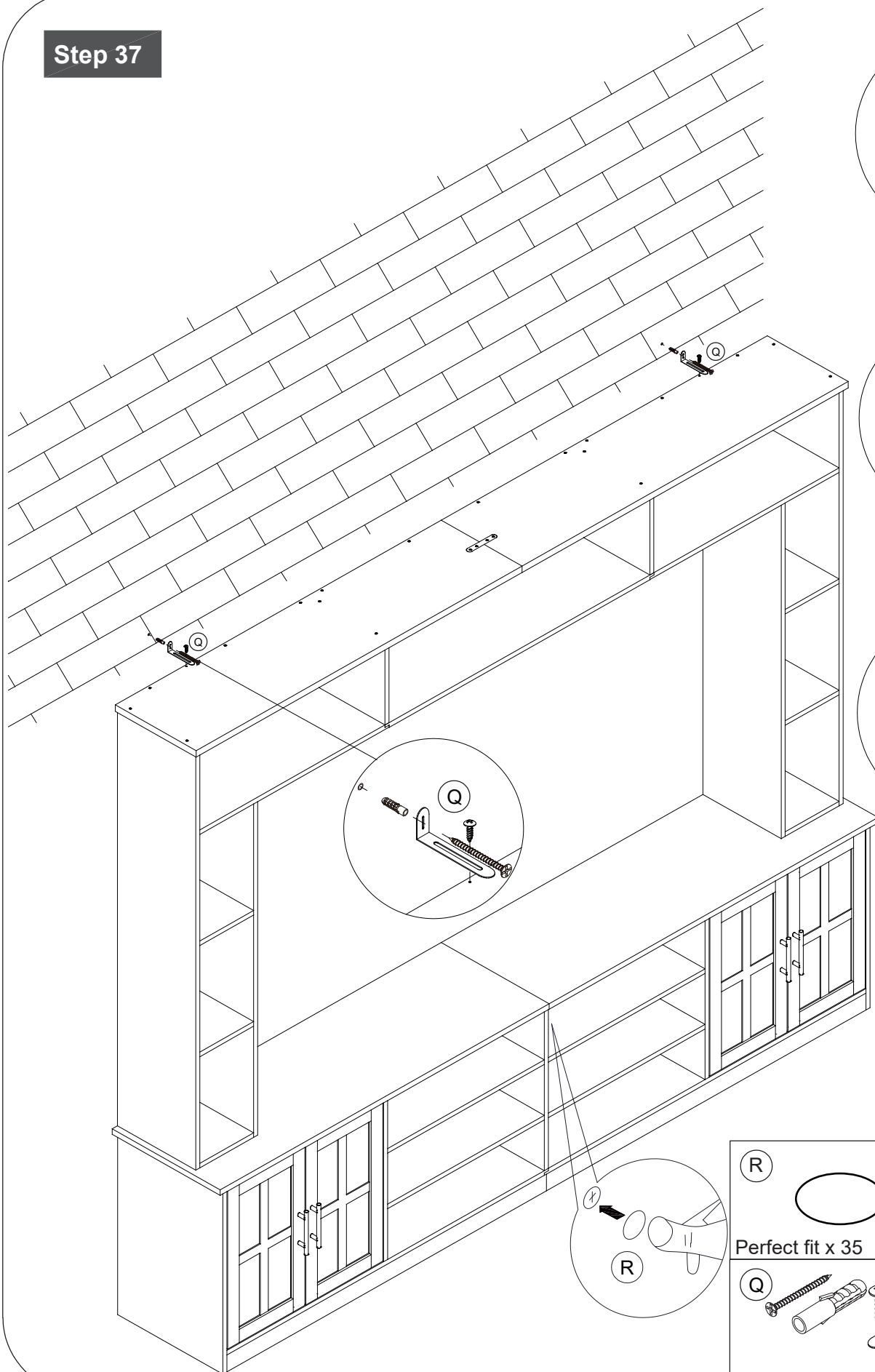
Assembly Instructions

Step 36



Assembly Instructions

Step 37



Assembly Instructions

Step 38

