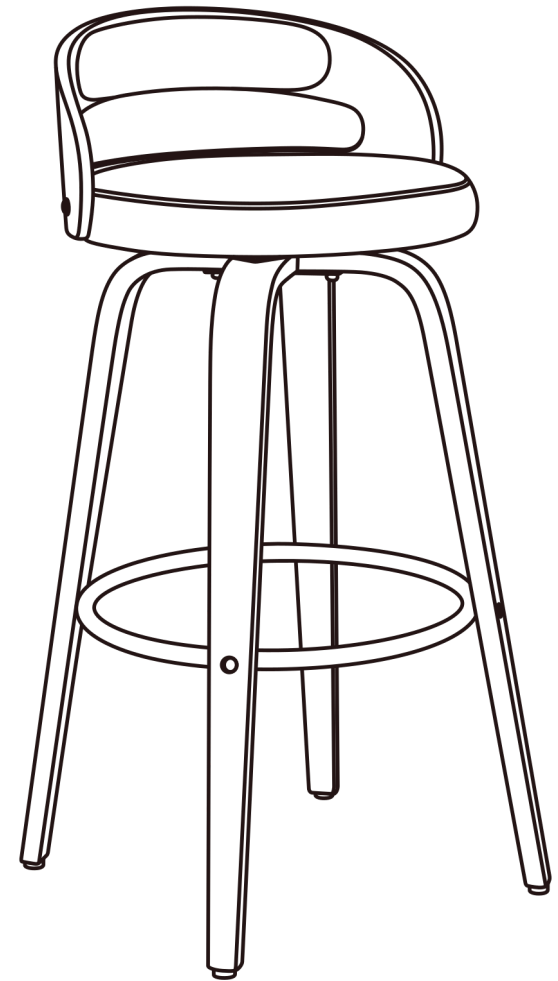




Modern Barrel Swivel Counter Stool



> > assembly instructions

Congratulations on your latest purchase.

Now what? Don't start sweating over this box of parts. This will be easy. We did the hard work for you. All you need to do is follow our simple instructions and you'll be on your way to transforming your room in no time. Good luck — though we're confident you won't need it.

before you begin:

1. Customers can email to order missing supplies.
2. Gather all tools prior to assembly.

assembly tips:

1. Remove hardware from box and sort by size.
2. Please check to see that all hardware and parts are present prior to start of assembly.
3. Please follow attached instructions in the same sequence as numbered to ensure fast & easy assembly.

warning:

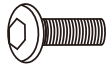
1. Don't attempt to repair or modify parts that are broken or defective please contact our service department immediately.
2. This product is for home use only and not intended for commercial use.

table of contents

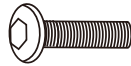
introduction	2
hardware	4
Assembly	5-9

hardware

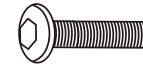
(F) Turnplate and
Seat Joint
M6*18MM(4PCS)



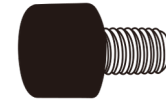
(G) 4PCS for Metal Plate and Wood legs Joint
4PCS for Turnplate and Wood legs Joint
M6*20MM(8PCS)



(H) Wood legs and
Foot Ring Joint
M6*25MM (4PCS)



(I) Solid Wood Leg nail(4PCS)



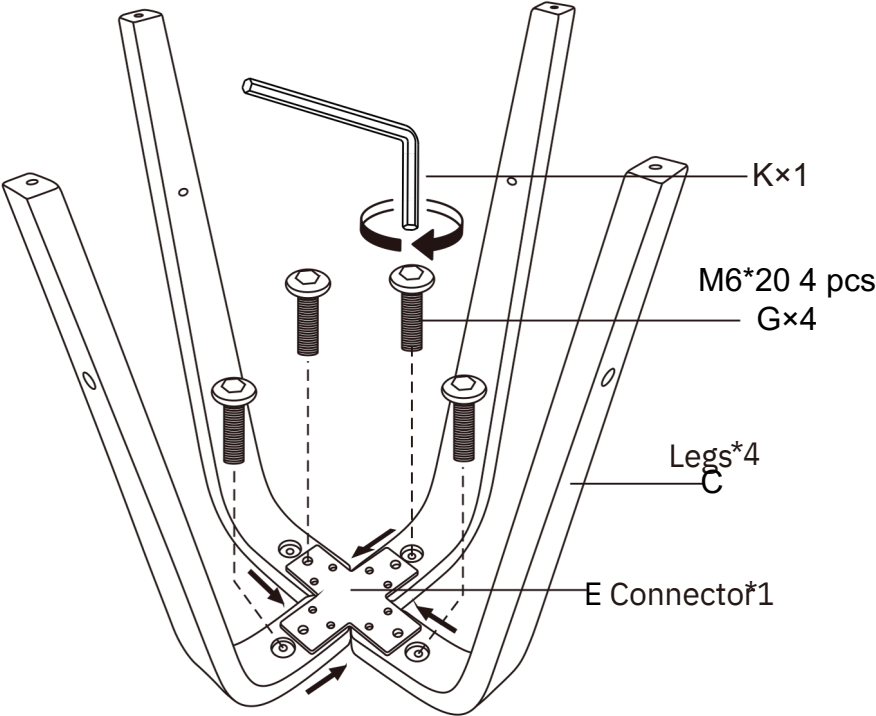
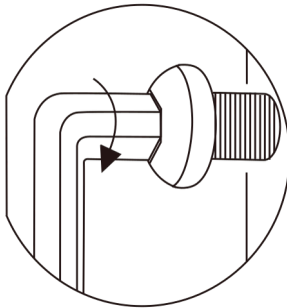
(J) Cap for Wood Legs(4PCS) (K) M6 Allen Key(1PCS)



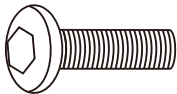
ITEM DESCRIPTION QUANTITY

C Legs 4pcs

E Connector 1pcs



(G) X 4
bolt(M6x20mm)

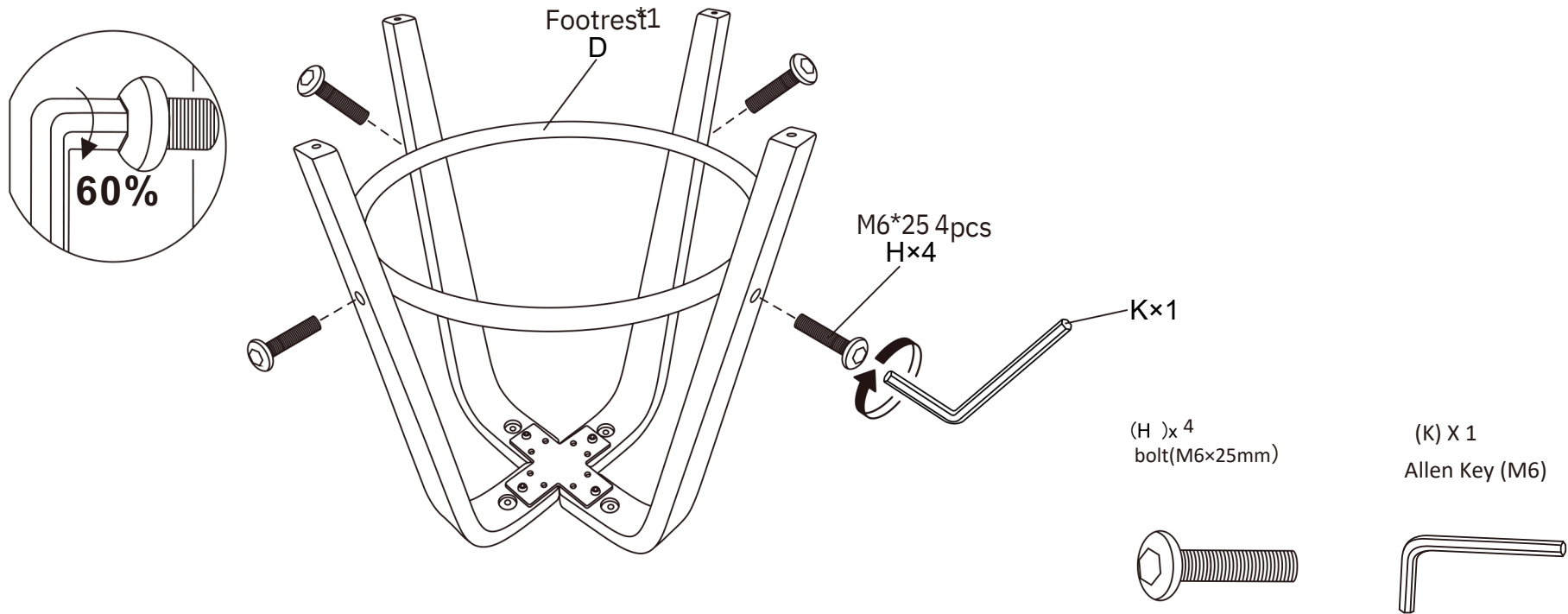


(K) X 1
Allen Key (M6)



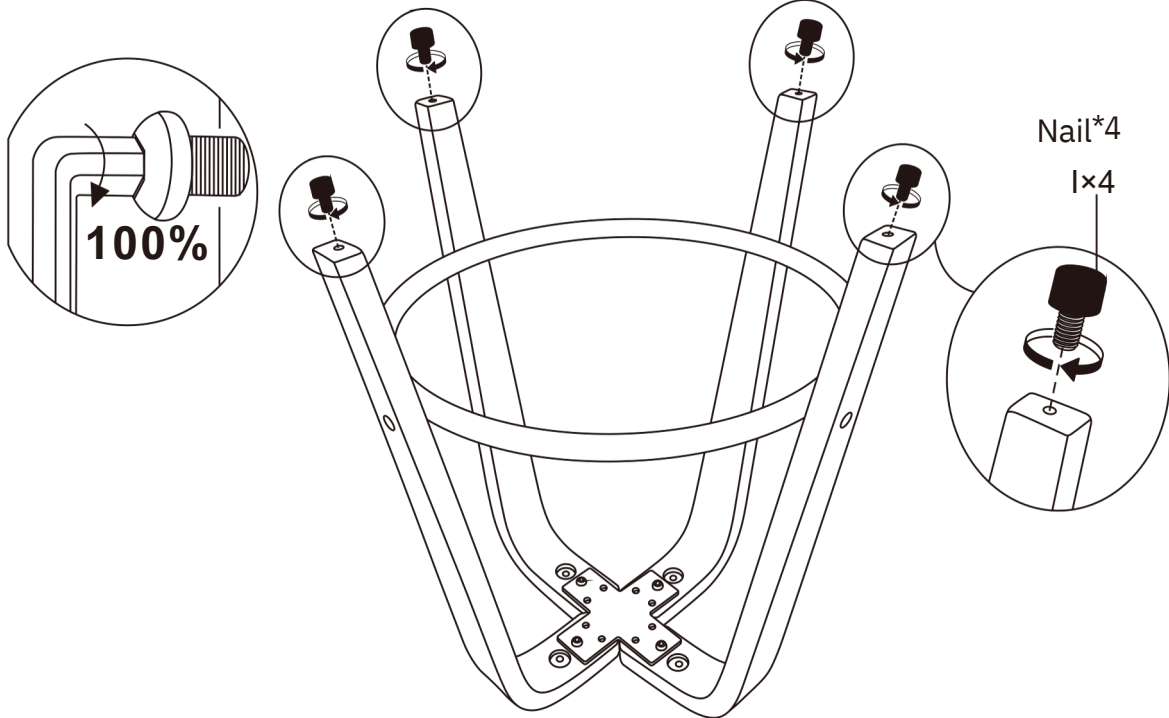
ITEM DESCRIPTION QUANTITY

D Footrest 1 pcs



Additional note about safety: Bolts may loosen during normal everyday use. They should be periodically inspected and re-tightened to prevent damage or injury. Remember to save your wrench to use to tighten.

ITEM DESCRIPTION QUANTITY

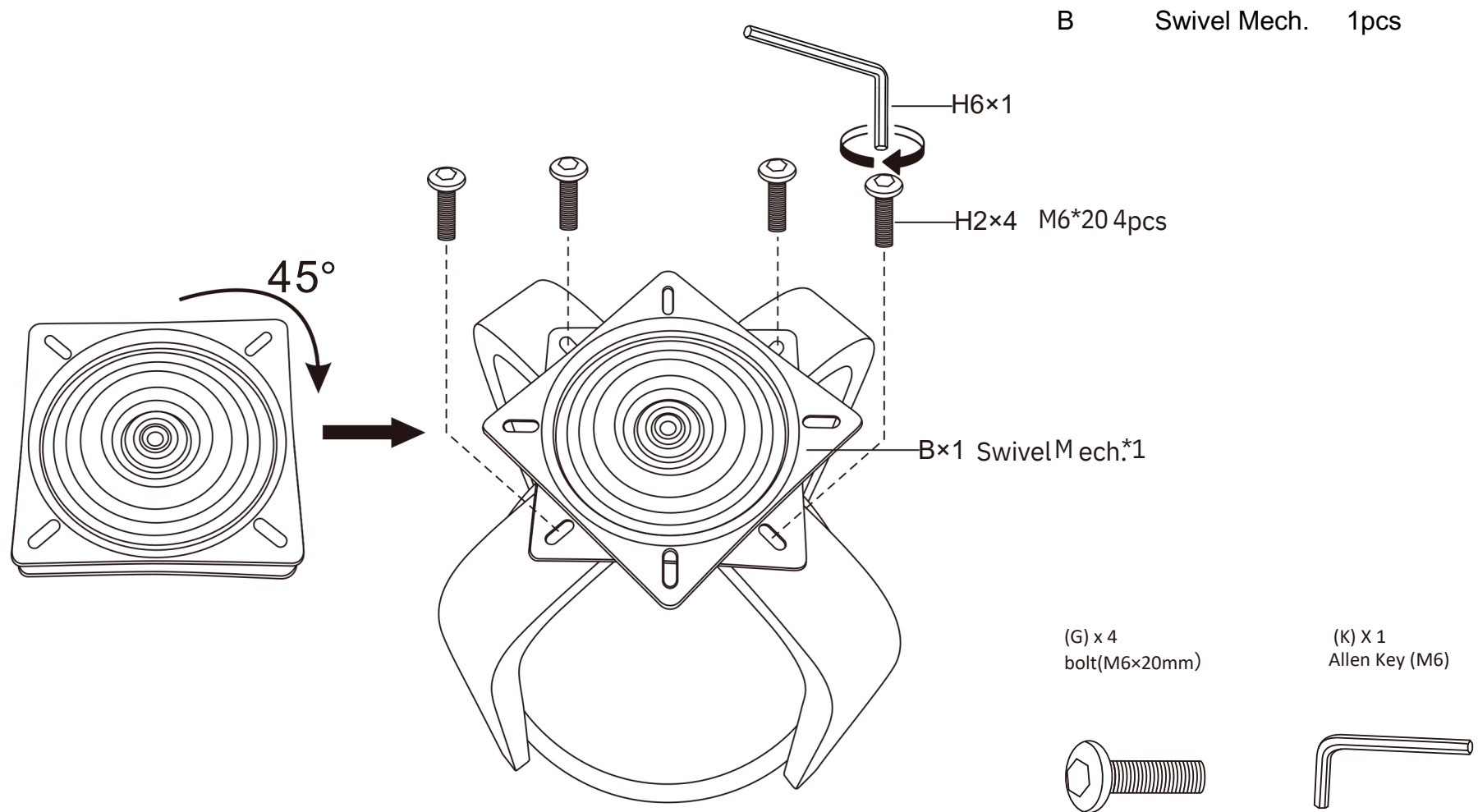


(I) Nail x 4



Additional note about safety: Bolts may loosen during normal everyday use. They should be periodically inspected and re-tightened to prevent damage or injury. Remember to save your wrench to use to tighten.

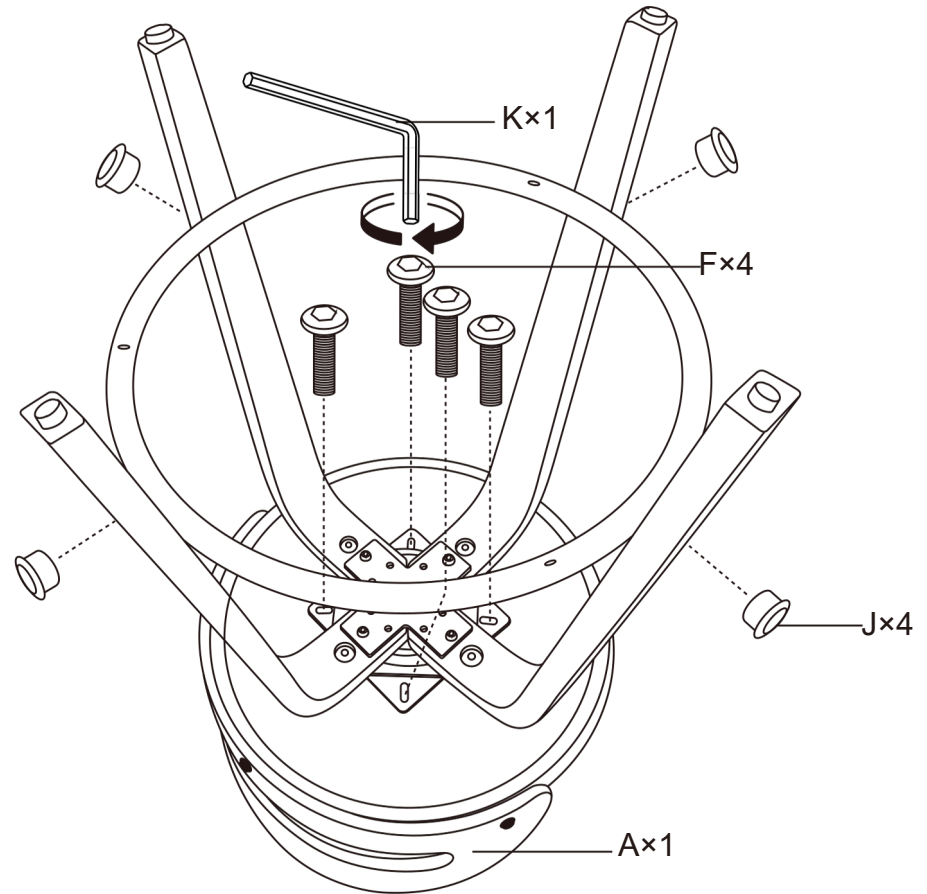
ITEM DESCRIPTION QUANTITY



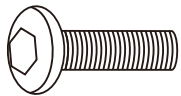
Additional note about safety: Bolts may loosen during normal everyday use. They should be periodically inspected and re-tightened to prevent damage or injury. Remember to save your wrench to use to tighten.

ITEM DESCRIPTION QUANTITY

A Seat 1 pcs



(F) x 4
bolt(M6x18mm)



(J) Cap x 4



(K) X 1
Allen Key (M6)



Additional note about safety: Bolts may loosen during normal everyday use. They should be periodically inspected and re-tightened to prevent damage or injury. Remember to save your wrench to use to tighten.