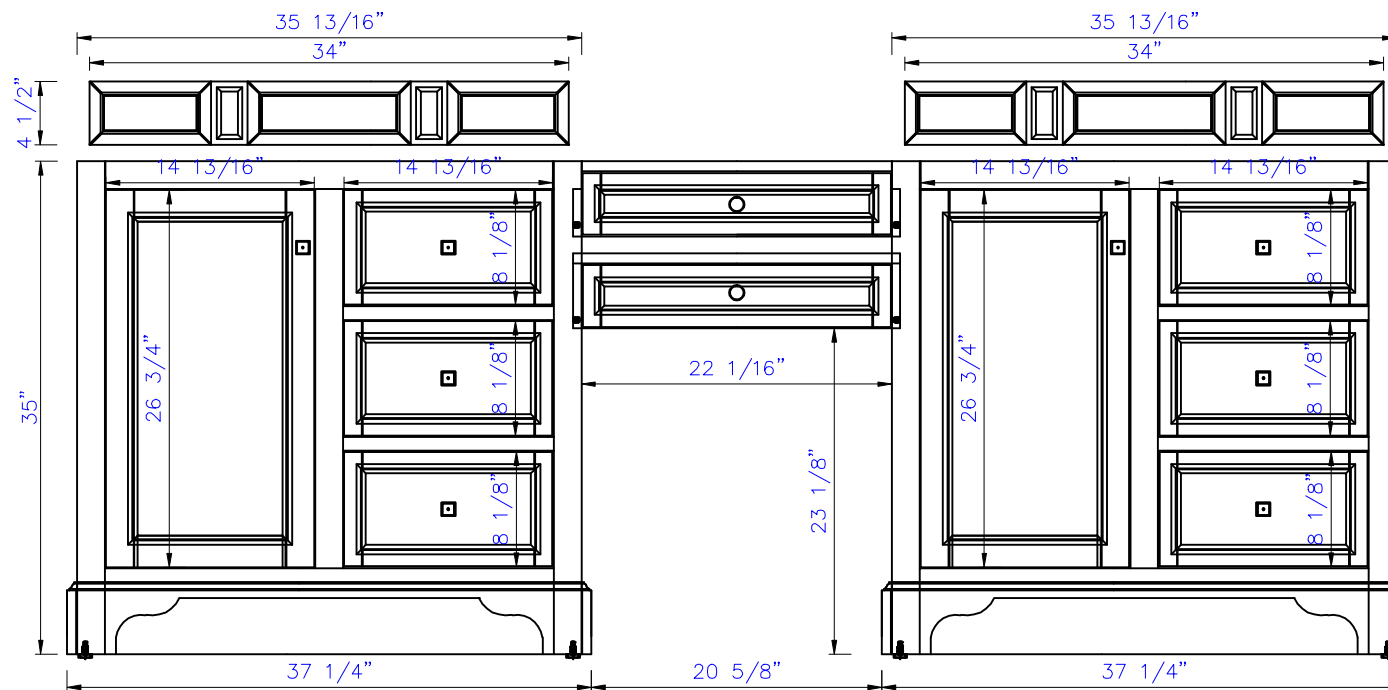


93 11/16"

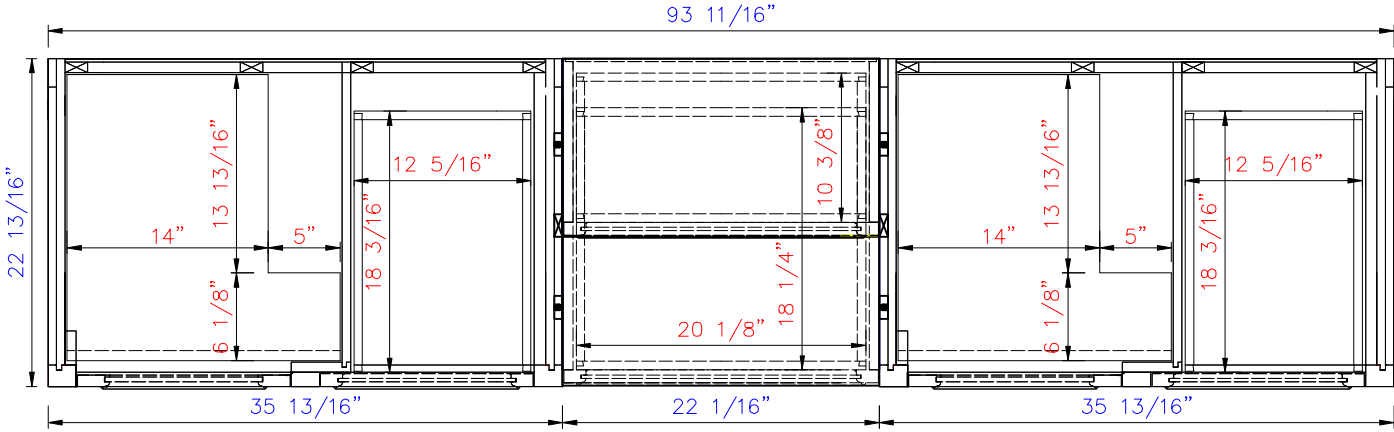


NOTE ONE: Countertops are not shown in these diagrams (Cabinet Only)

NOTE TWO: Wood Backsplash (Shown) is designed for the molding detail to align with sinks in the Optional Countertops.

Customers own countertops and sinks may align differently.

93 11/16"



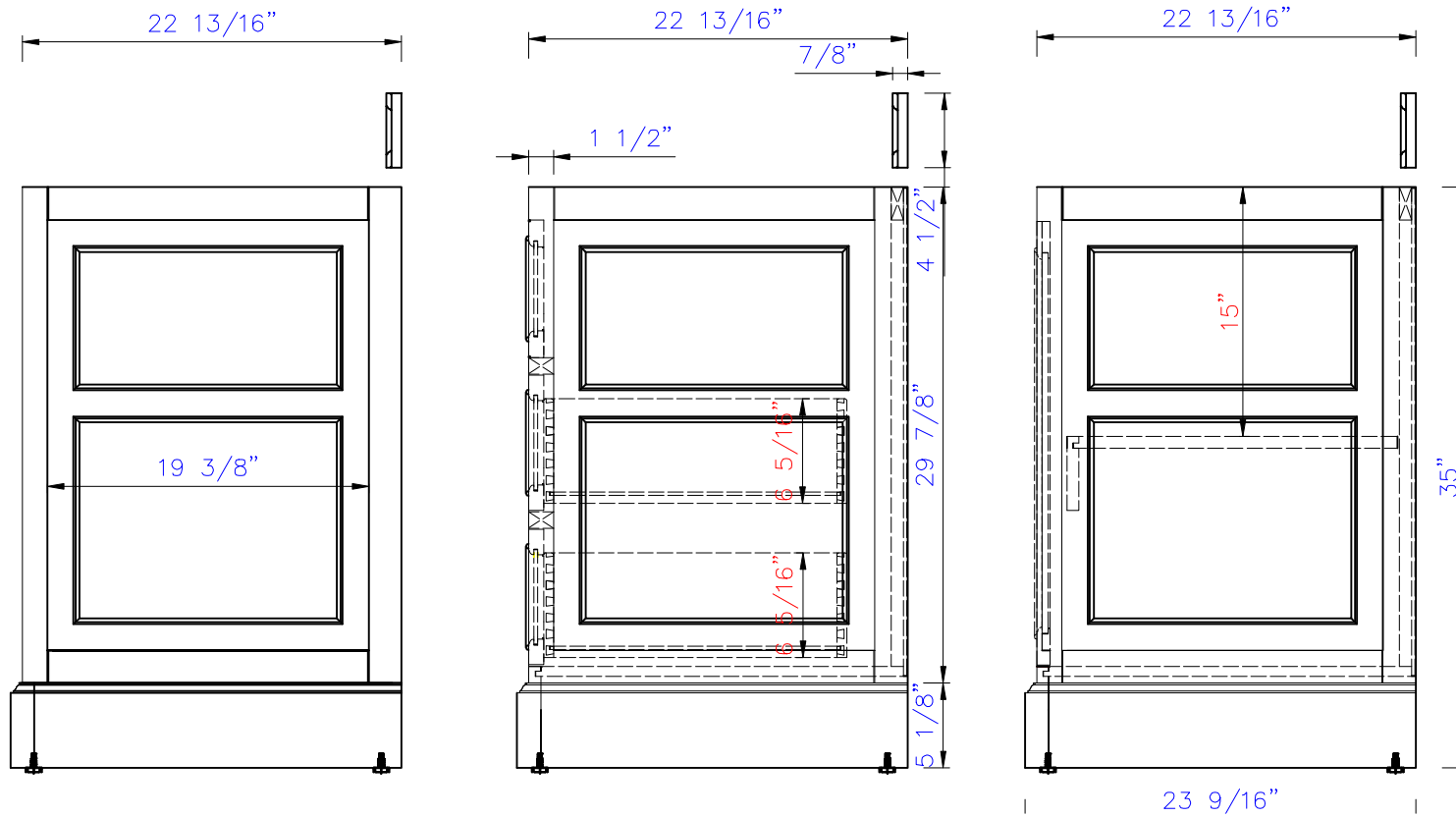
NOTE ONE: Countertops are not shown in these diagrams (Cabinet Only)

NOTE TWO: Internal Shelves (Shown) are designed to align with sinks in the Optional Countertops.

Customers' own countertops and sinks may align differently, and modification may be required.

93 11/16"

Diagrams with Dimensions
page 03 of 03



NOTE ONE: Countertops are not shown in these diagrams (Cabinet Only)

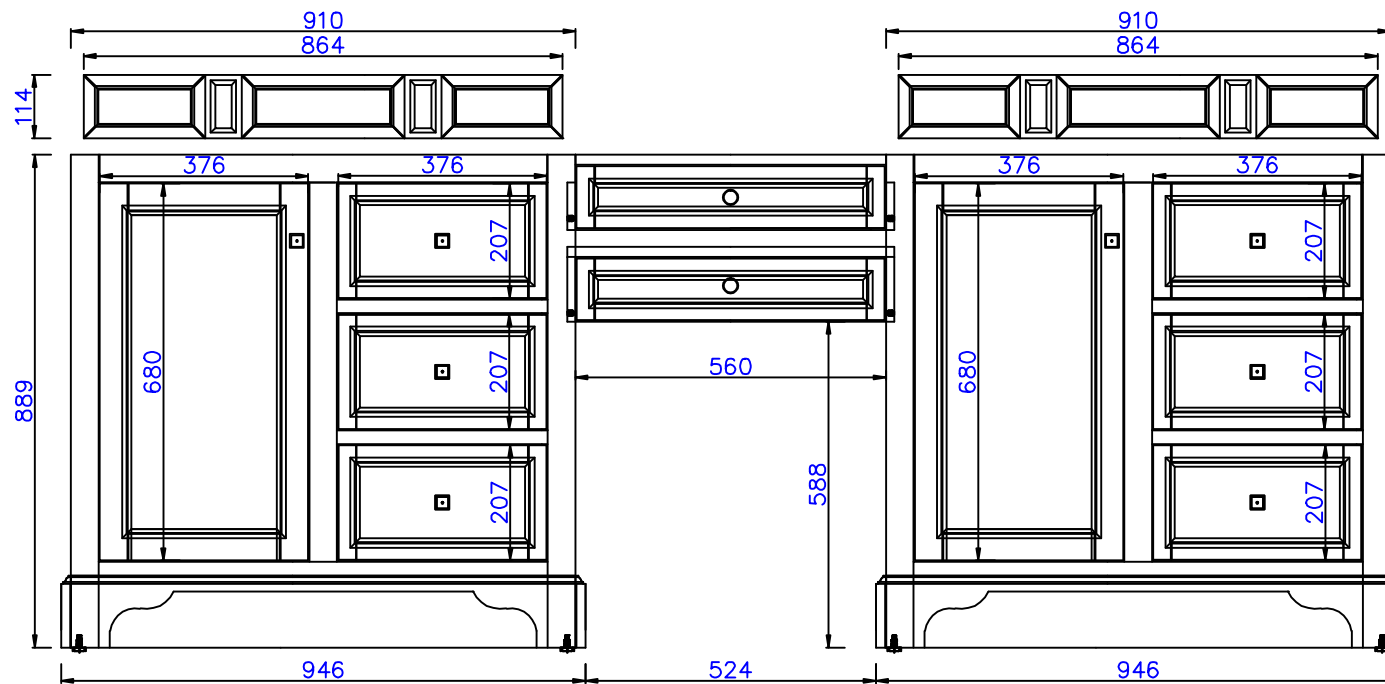
NOTE TWO: Wood Backsplash (Shown) is designed for the molding detail to align with sinks in the Optional Countertops.

Customers' own countertops and sinks may align differently.

Version: 201906

2380mm

Diagrams with Dimensions
page 01 of 03

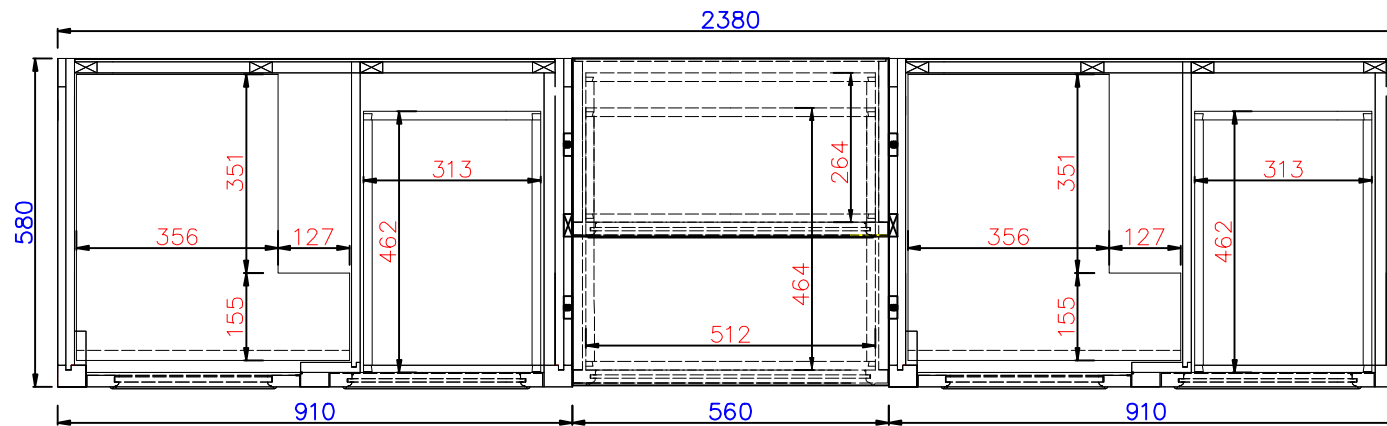


NOTE ONE: Countertops are not shown in these diagrams (Cabinet Only)

NOTE TWO: Wood Backsplash (Shown) is designed for the molding detail to align with sinks in the Optional Countertops.

Customers own countertops and sinks may align differently.

2380mm

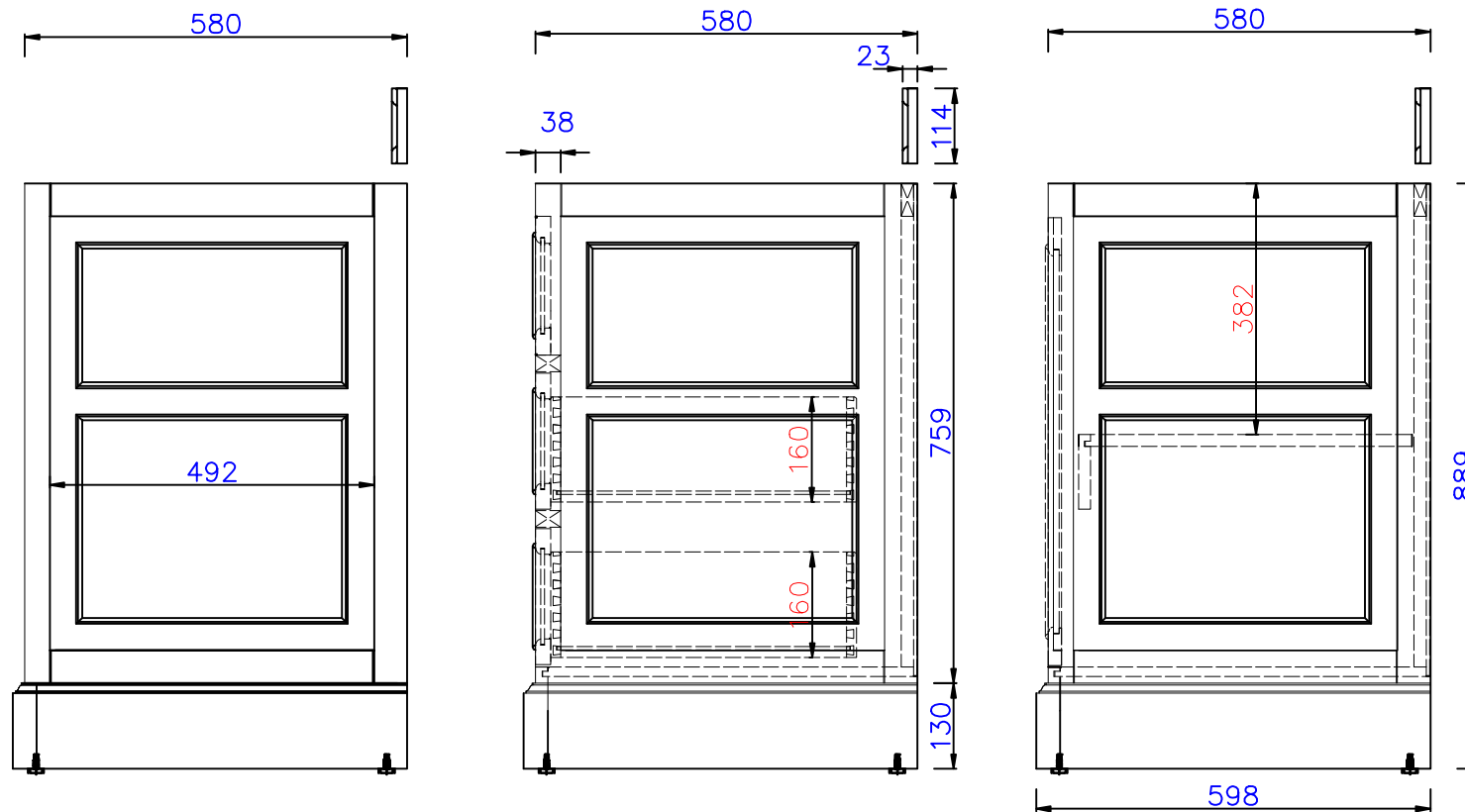


NOTE ONE: Countertops are not shown in these diagrams (Cabinet Only)

NOTE TWO: Internal Shelves (Shown) are designed to align with sinks in the Optional Countertops.

Customers' own countertops and sinks may align differently, and modification may be required.

2380mm



NOTE ONE: Countertops are not shown in these diagrams (Cabinet Only)

NOTE TWO: Wood Backsplash (Shown) is designed for the molding detail to align with sinks in the Optional Countertops.

Customers' own countertops and sinks may align differently.

