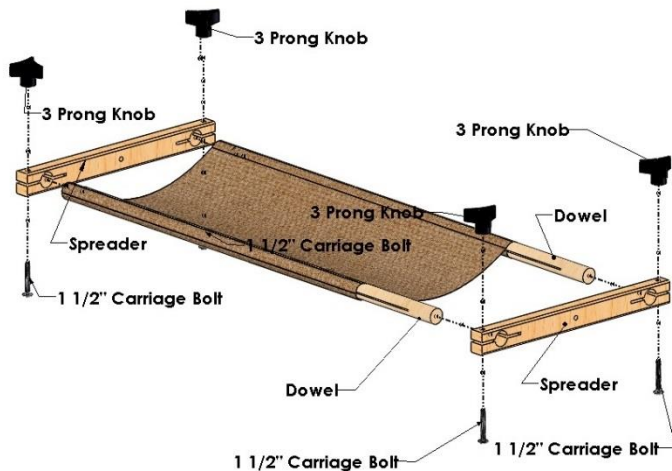


# Stitcher's Wonder #6115

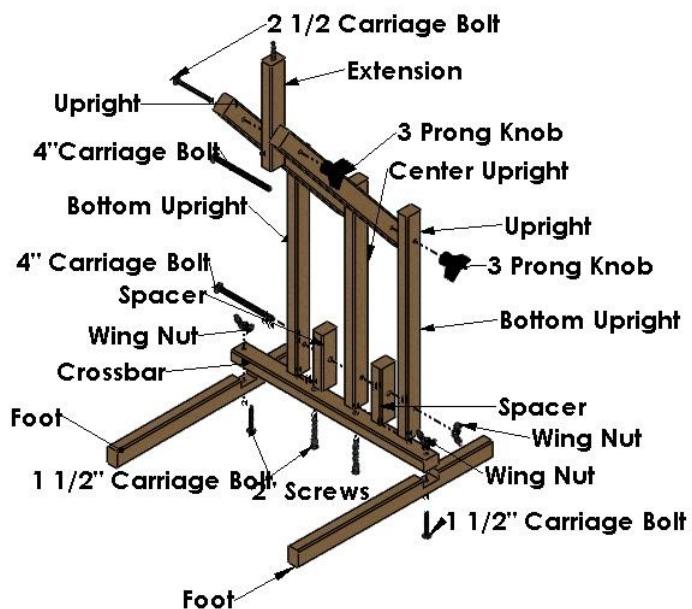
## Assembly Instruction

### Scroll Frame Assembly



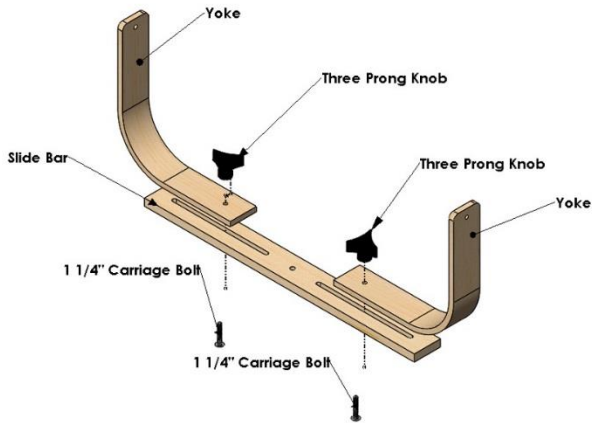
- 1) Insert your project into slit in dowel rod assuring the project is straight when you begin to roll.
- 2) Insert four 1 1/2" Carriage Bolts in the smaller holes on the ends of the spreaders. Loosely secure with 3 Prong Knobs.
- 3) Place one end of Dowel into the large hole in one Spreader. Slide the Spreader to the projects edge.
- 4) Repeat the assembly on the other end of Dowel to the other Spreader. Slide the Spreader to the projects edge.
- 5) Insert bottom of project into the slit of the remaining Dowel. Insert both ends of the Dowel into the large holes in the other Spreader.
- 6) Roll bottom edge of project until it is slightly taut making sure to keep the project straight.
- 7) Tighten Knob at the bottom of the project.
- 8) Turn top Dowel until project is taut and tighten 3 Prong Knobs
- 9) Advance as necessary.

### Base Assembly



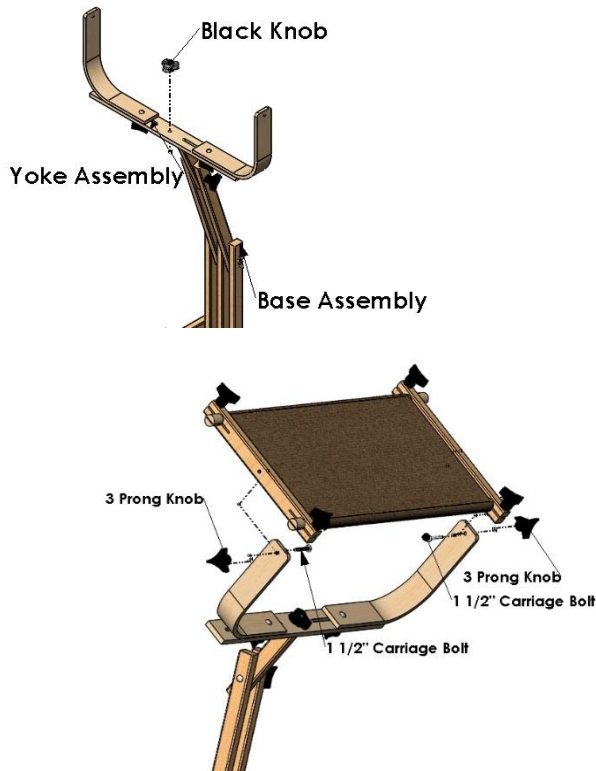
- #### Base Assembly
- 1) Position the Crossbar in the notched area of the feet and secure with 1 1/2" Carriage Bolt and Wing Nuts on both ends.
  - 2) Insert 2" Screws through the Crossbar and into the ends of the Bottom Uprights. The Bottom Uprights have holes in the bottom.
  - 3) Position two Spacers and one Center Upright between the Bottom Uprights which were attached to the Crossbar in Step 2.
  - 4) Insert 4" Carriage bolt through all the Uprights and Spacers. Secure with a Wing Nuts.
  - 5) Position the remaining two Uprights between the three Uprights now Attached. Insert 4" Carriage Bolt and secure with a 3 Prong Knob.
  - 6) Place the Extension between the Uprights bolt side up. Secure with 2 1/2" Carriage Bolt and a 3 Prong Knob.

# Yoke Assembly



- Yoke Assembly**
- 1) Position one Yoke onto the Slide Bar with the square corners down and secure with a 1" Carriage Bolt and 3 Prong Knob. Do not tighten
  - 2) Repeat on opposite side.

## Final Assembly



- Final Assembly**
- 1) Attach the Yoke Assembly to the Base Assembly by inserting the bolt from the Extension through the center hole in the Slide Bar.
  - 2) Secure with the Large Knob
  - 3) Attach the Scroll Frame Assembly to the Yoke Assembly by inserting two 1 1/2" Carriage Bolts through the center holes in the Spreader and the hole in the top of the Yoke.
  - 4) Secure with two 3 Prong Knobs.

## Parts List

