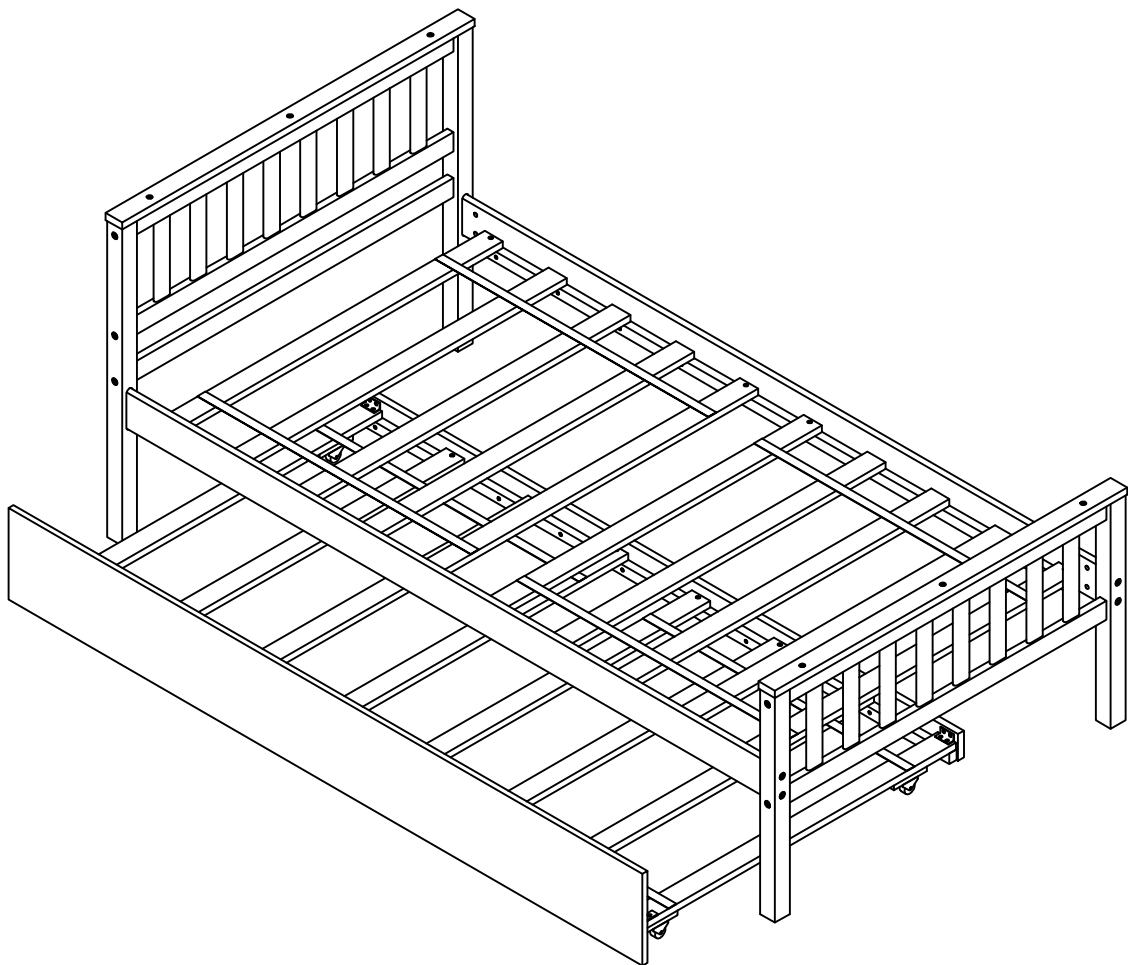
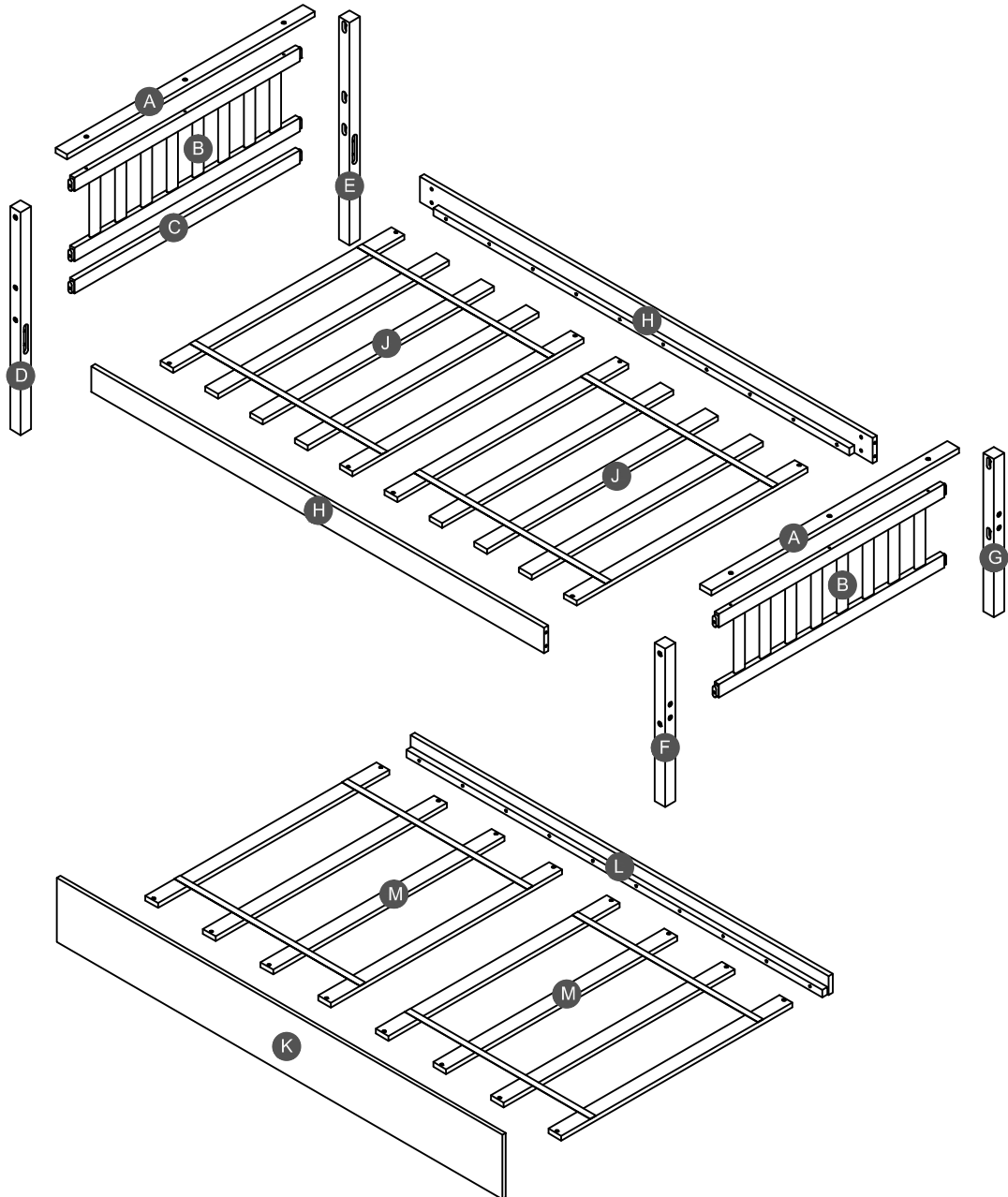


ASSEMBLY INSTRUCTIONS


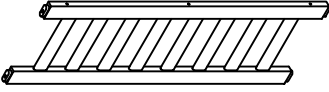
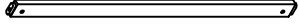
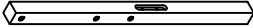

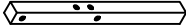


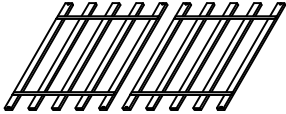
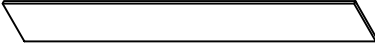
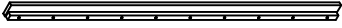
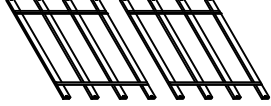
TWIN BED WITH TRUNDLE




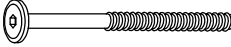
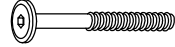
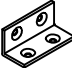


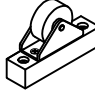
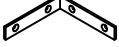


Detail View



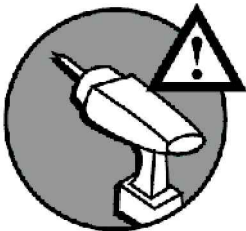
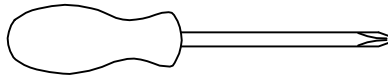
Part List

<p>A</p>  <p>Cap for HB & FB - 2pcs</p>	<p>B</p>  <p>HB & FB - 2pcs</p>	<p>C</p>  <p>HB horizontal - 1pc</p>
<p>D</p>  <p>HB leg (Left) - 1pc</p>	<p>E</p>  <p>HB leg (Right) - 1pc</p>	<p>F</p>  <p>FB leg (Left) - 1pc</p>
<p>G</p>  <p>FB leg (Right) - 1pc</p>	<p>H</p>  <p>Side rail - 2pcs</p>	<p>J</p>  <p>Slats - (10pcs)</p>
<p>K</p>  <p>Front panel of trundle - 1pc</p>	<p>L</p>  <p>Back panel side rail of trundle - 1pc</p>	<p>M</p>  <p>Trundle slats - (8pcs)</p>

Hardware List

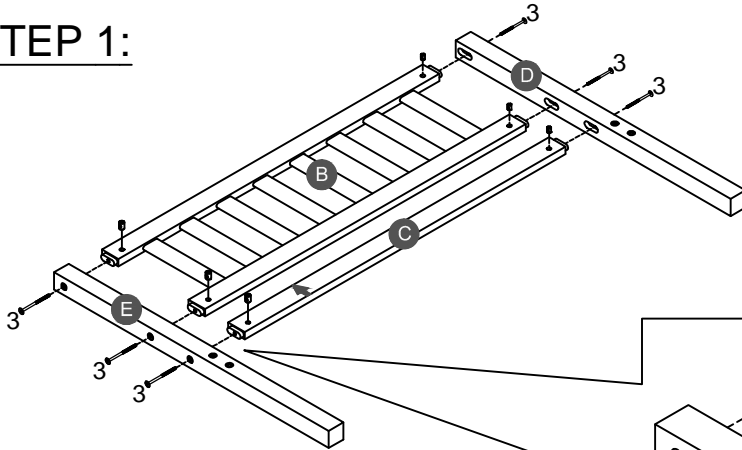
1  Ø4*30mm	2  (Ø15)1/4"*100mm	3  (Ø15)1/4"*80mm
Wood screws (32pcs)	Hex-Head bolts (8pcs)	Hex-Head bolts (10pcs)
4  40*18*18*2mm	5  (Ø12)1/4"*40mm	6  1/4"*15 (9.5mm)
Metal bracket (2pcs)	Wood screws (6pcs)	Horizontal-Hole bolts(18pcs)
7  100*63*20mm	8  95*95*18*3mm	9  Ø3.5*15mm
Wheels (4pcs)	Metal bracket (2pcs)	Wood screws (16pcs)
10  (1/4")4.5*58mm Allen key (1pc)		

ASSEMBLY TOOLS REQUIRED (NOT INCLUDED)

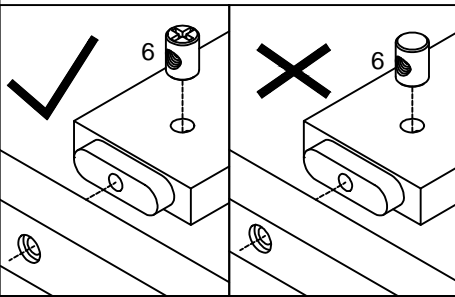
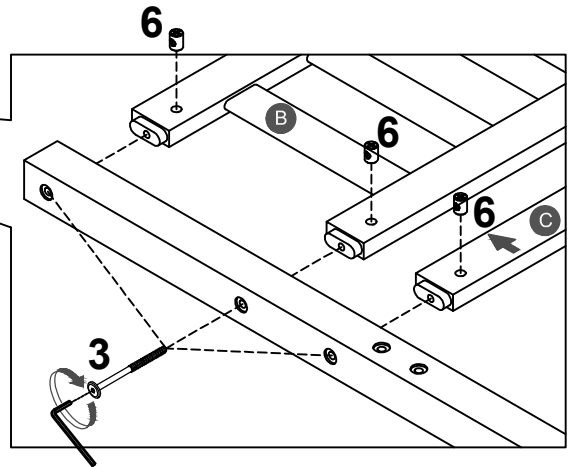


PLEASE BE CAREFUL DO NOT DAMAGE THE HOLE POSITION WHEN YOU USE POWER TOOLS !

STEP 1:

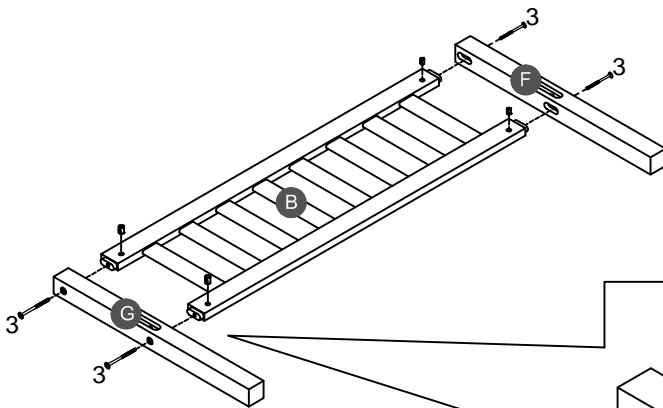


3		6	
6PCS		6PCS	

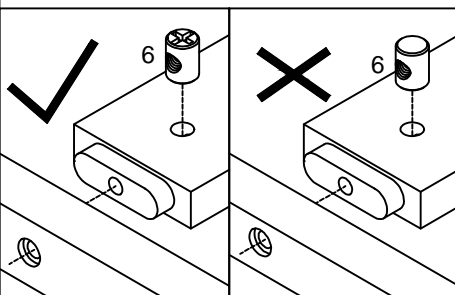
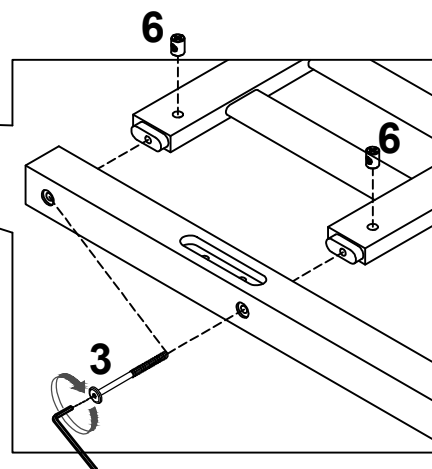


Note: Part 6 will face up with the "x" mark on it, otherwise it cannot be tightened

STEP 2:

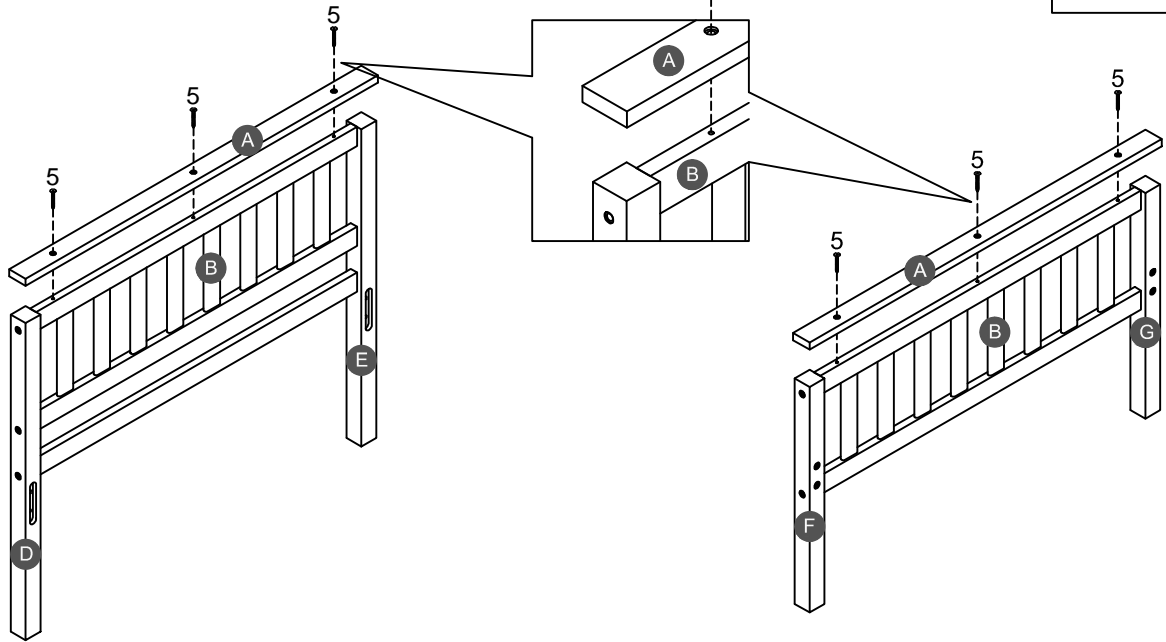


3		6	
4PCS		4PCS	

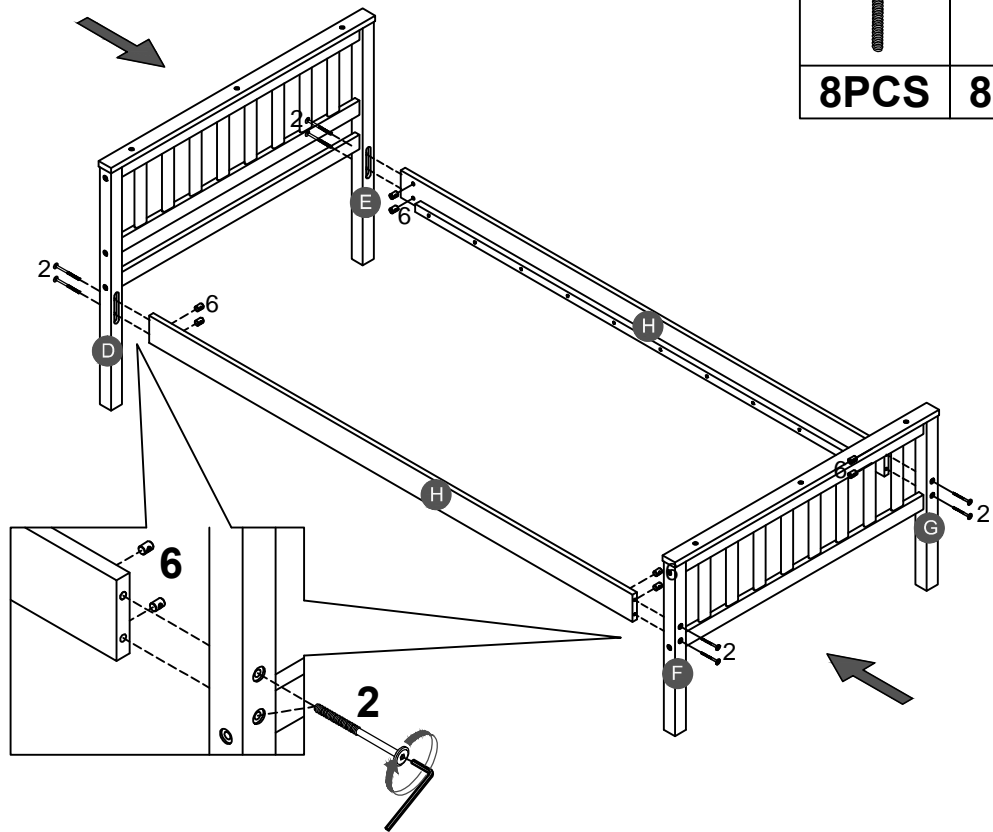


Note: Part 6 will face up with the "x" mark on it, otherwise it cannot be tightened

STEP 3:



STEP 4:

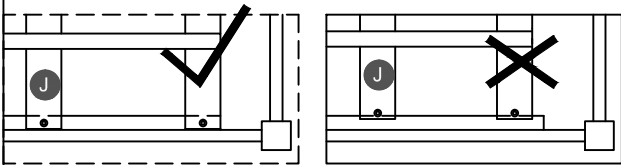
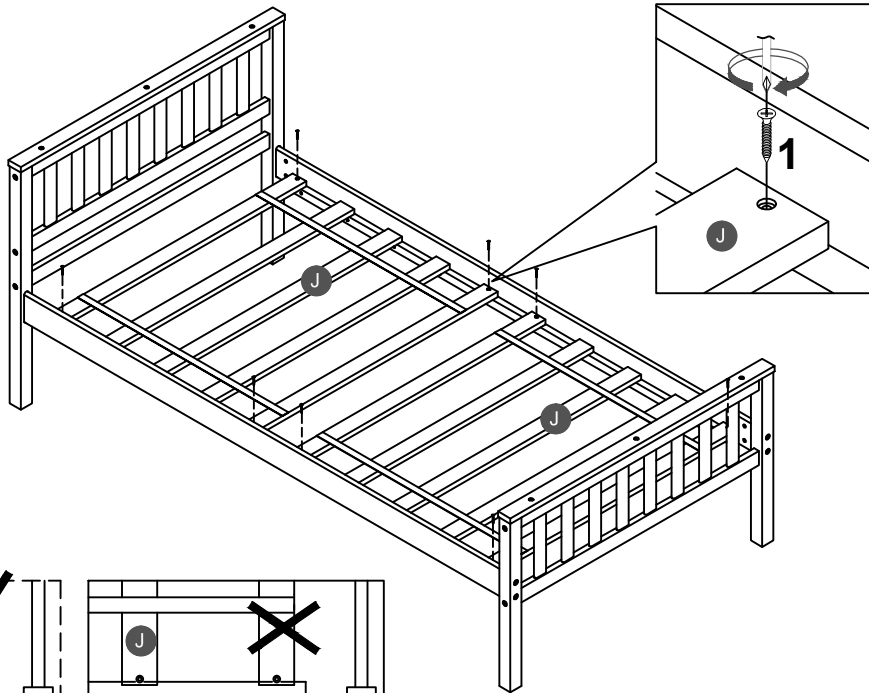


STEP 5:

1



8PCS



Note: Do not lock the screws of the bed slats to the outermost edge of the bed slats, you need to leave a certain space at the edges, otherwise it will cause the board to break

STEP 6:

7

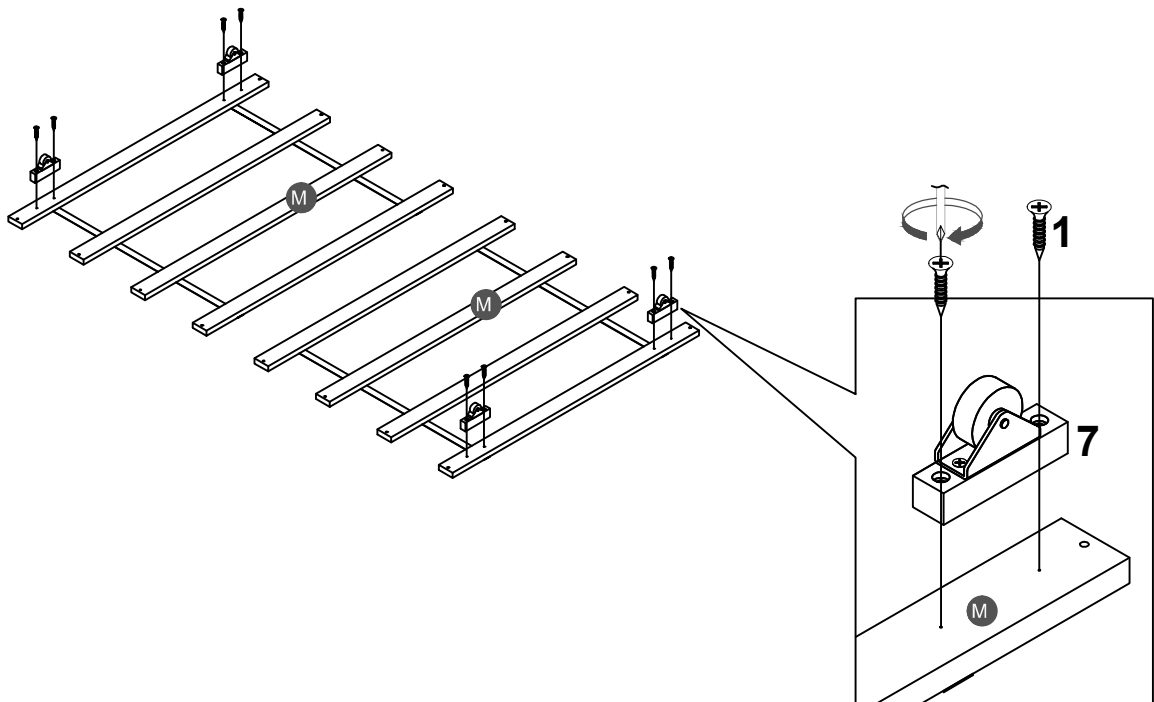


4PCS

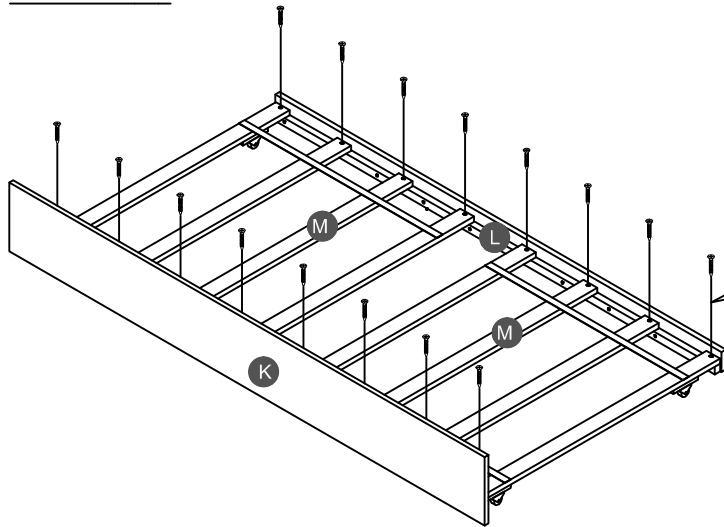
1



8PCS



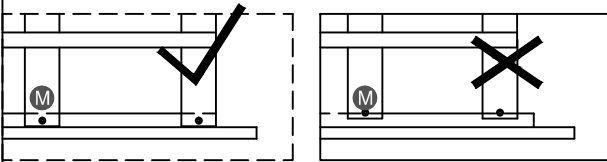
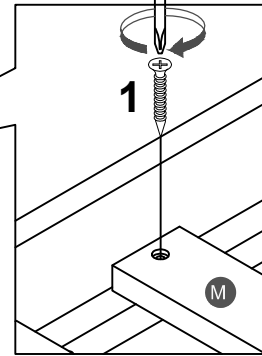
STEP 7:



1

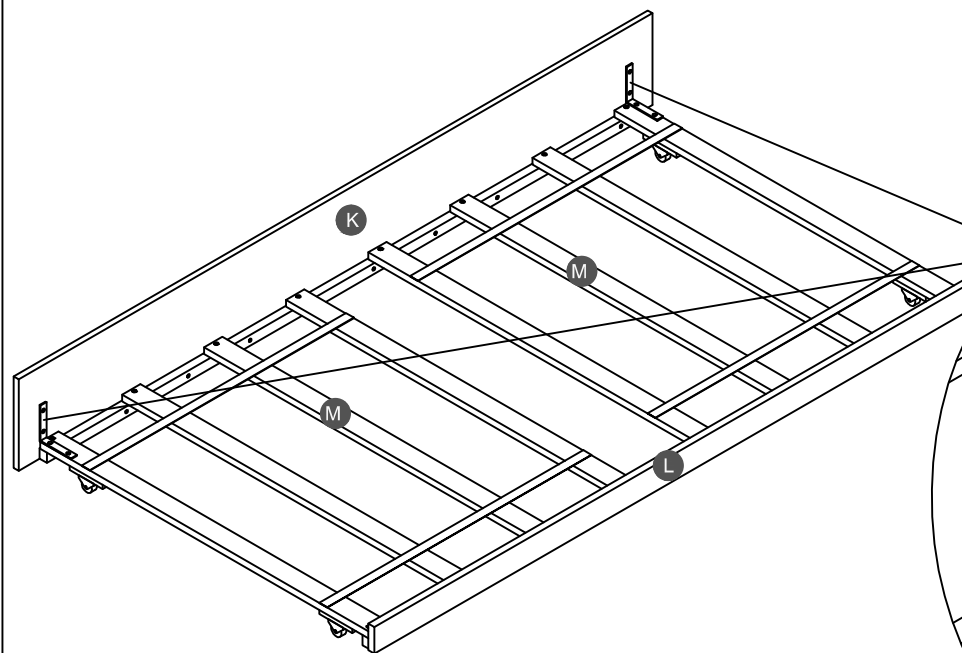


16PCS



Note: Do not lock the screws of the bed slats to the outermost edge of the bed slats, you need to leave a certain space at the edges, otherwise it will cause the board to break

STEP 8:



8

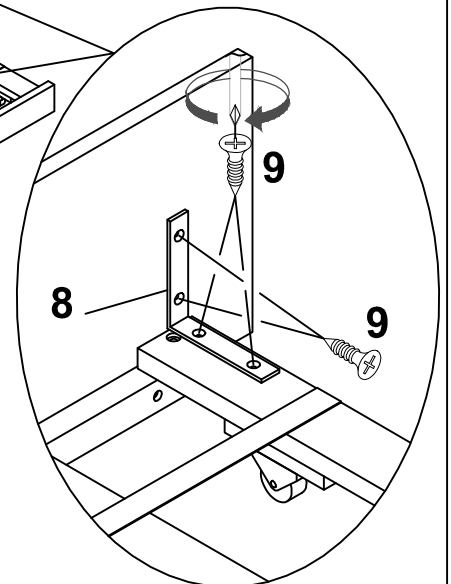


2PCS


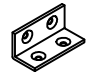
9

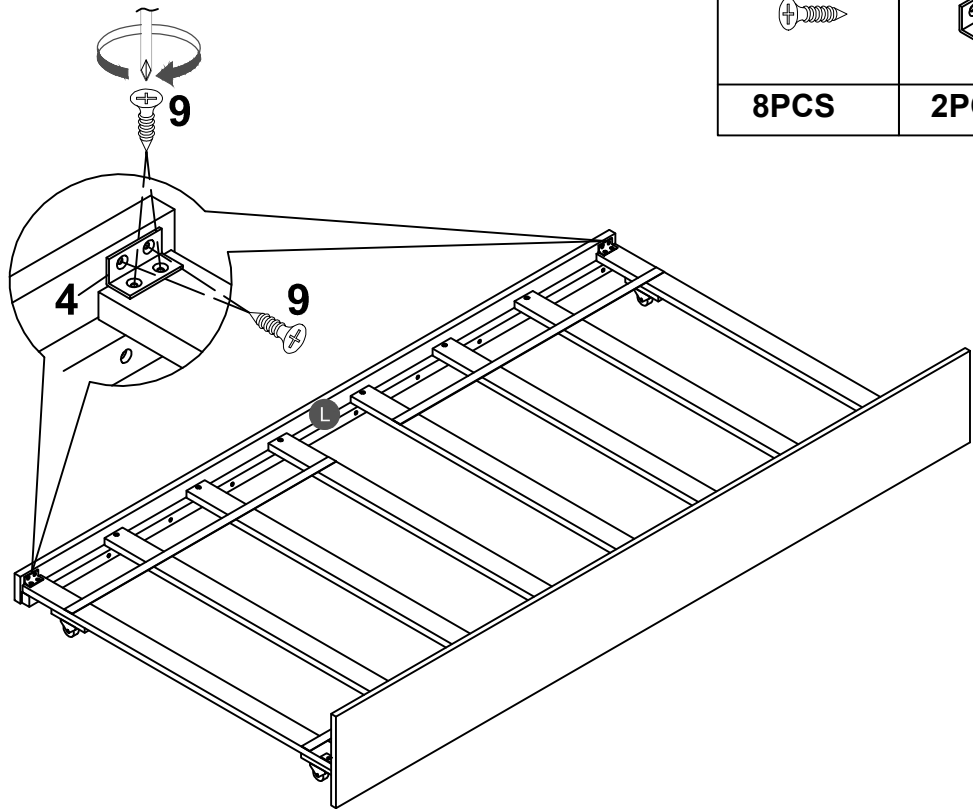


8PCS

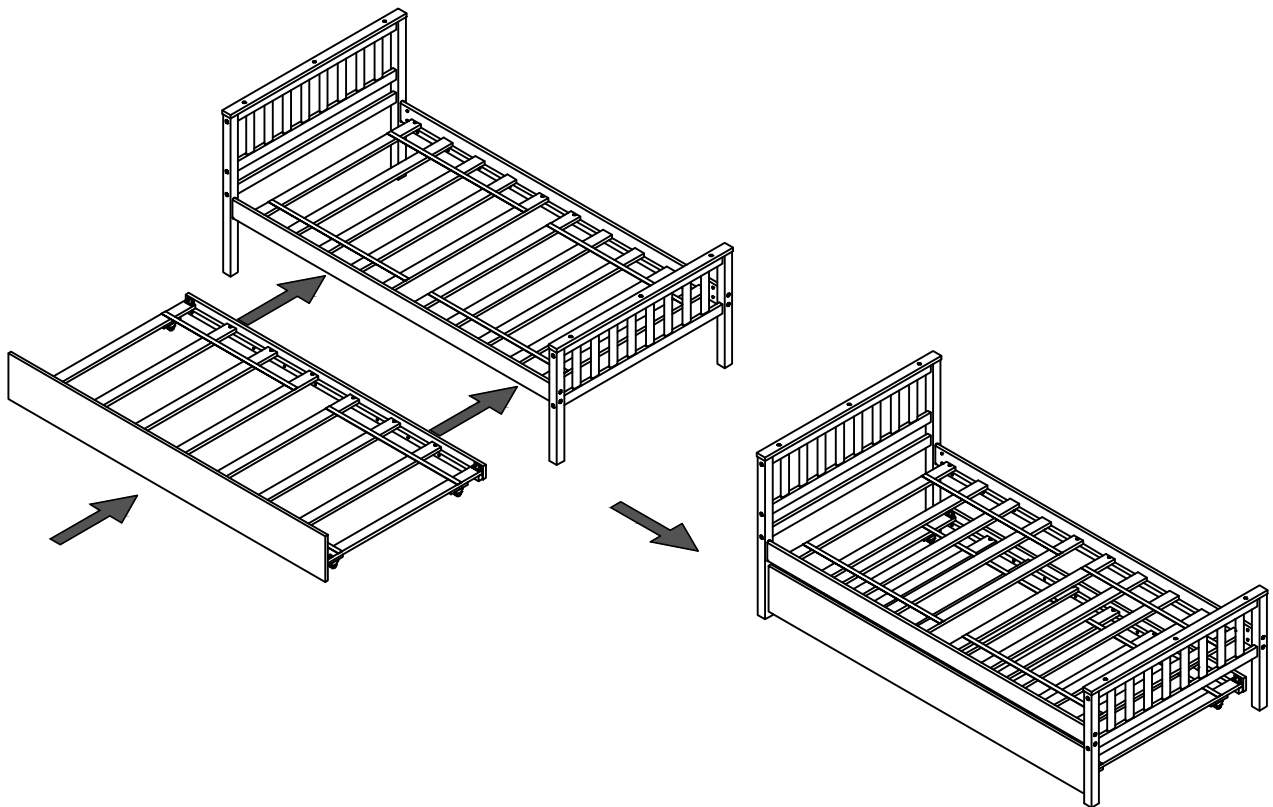


STEP 9:

9		4	
8PCS		2PCS	



STEP 10:



Push Trundle under the bottom of Twin Bed.