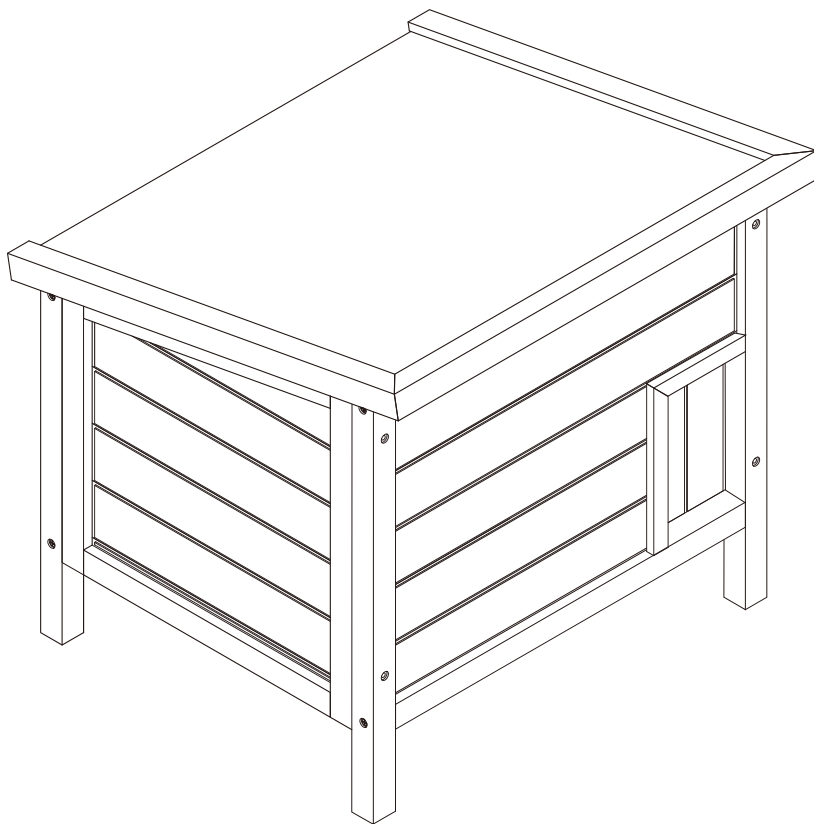




COOLBEBE

COOLBEBE FERAL CAT HOUSE

INSTALLATION MANUAL



Since the FERAL CAT HOUSE contains many components, please read the instructions carefully and keep it for future reference!

Please use tools correctly and carefully.

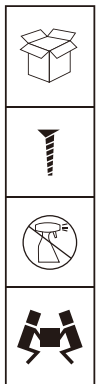
BEFORE YOU START

- Read each step carefully and follow it in the correct order.
- Separate and count all your parts and hardware.
- Give yourself plenty of room for the assembly process.
- **CAUTION:** If using an electric drill or power screwdriver to tighten. Be careful to slow down and stop when the screw is being tightened. Failure to do so may cause the screw to fall out. (Use of an electric screwdriver may increase assembly speed.)

HELPFUL HINTS

PEOPLE NEEDED FOR ASSEMBLY:1-2

- Open your items in the area where you plan to store them to avoid overly heavy lifting.
- Identify, sort, and count parts before attempting assembly.
- Support Hinges are labeled with an R(right) and L(left) for proper placement.
- Please fix all screws well, which will enhance the stability of the product.
- **DO NOT** use harsh chemicals or abrasive cleaners on this item.
- Newer push, pull, or drag your furniture.

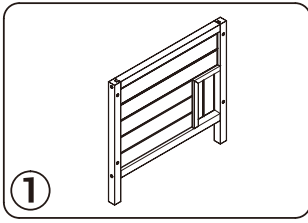


Do feel free to email us if you have any questions. We will reply you within 24 hours.

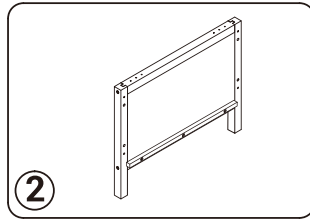
usalading@163.com

Our professional customer service team will serve you online all day.

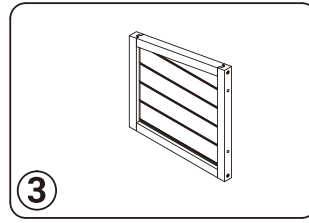
BOARD IDENTIFICATION



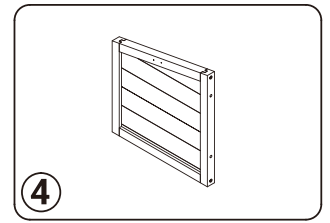
Front frame



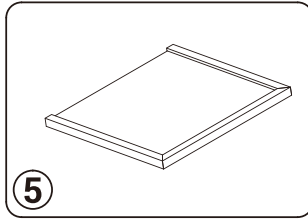
Back frame



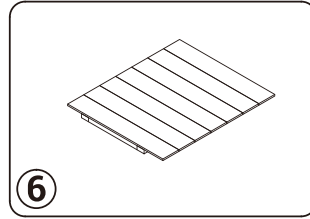
Side frame (left)



Side frame (right)

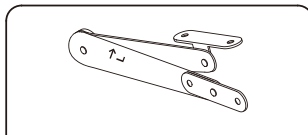


Flip-flop



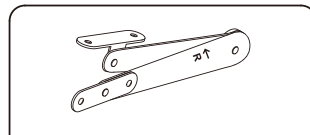
Bottom plate

PART LIST



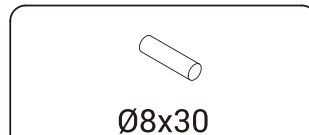
A(L)	x1
------	----

Support hinge
(Left)



B(R)	x1
------	----

Support hinge
(Right)



Ø8x30

C	x8
---	----

Wood dowel
Spare:1



3x16

D	x14
---	-----

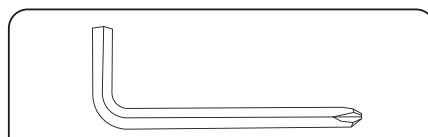
Screw
Spare:1



4x40

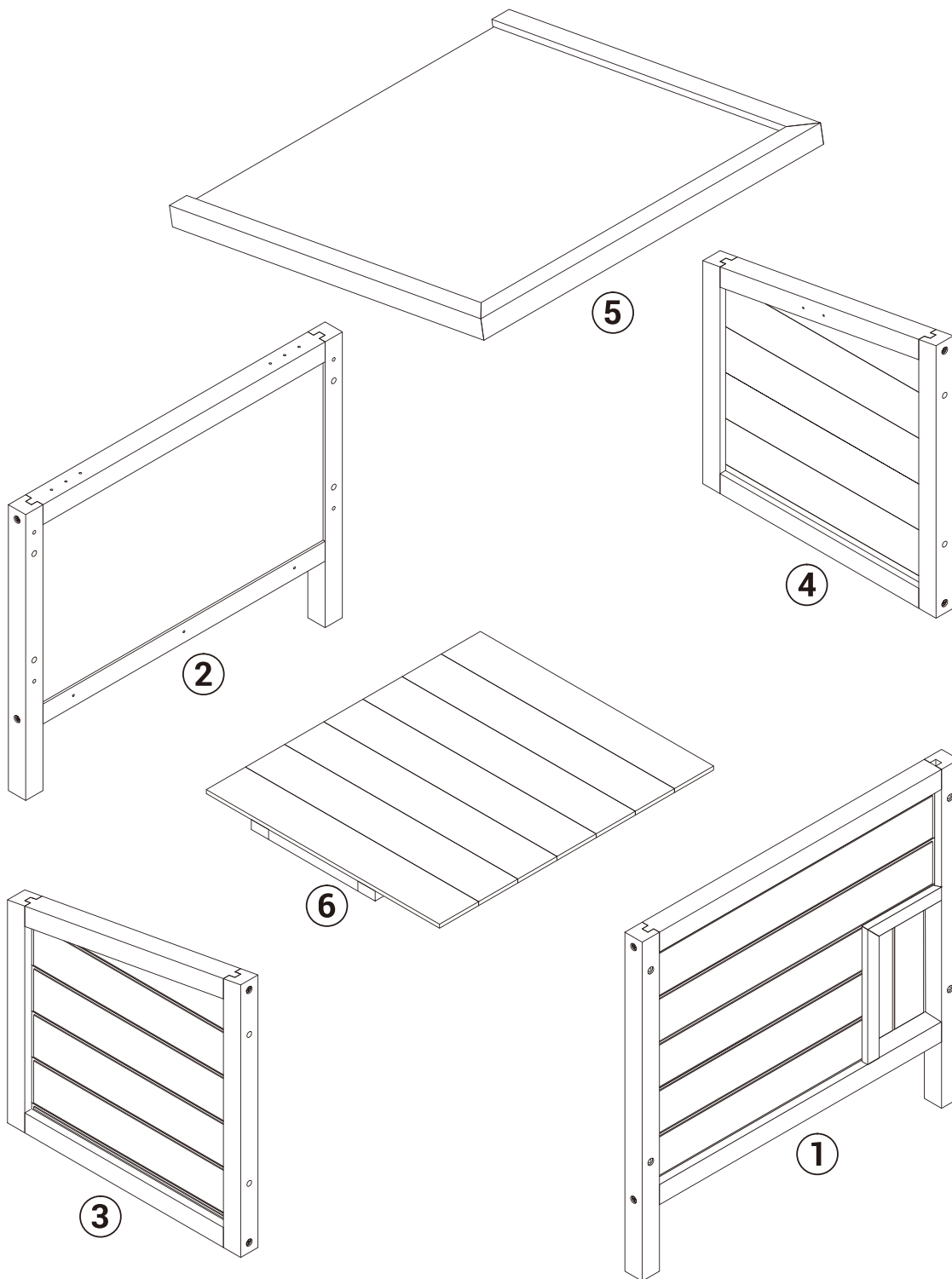
E	x8
---	----

Screw
Spare:1



Assembly Tools

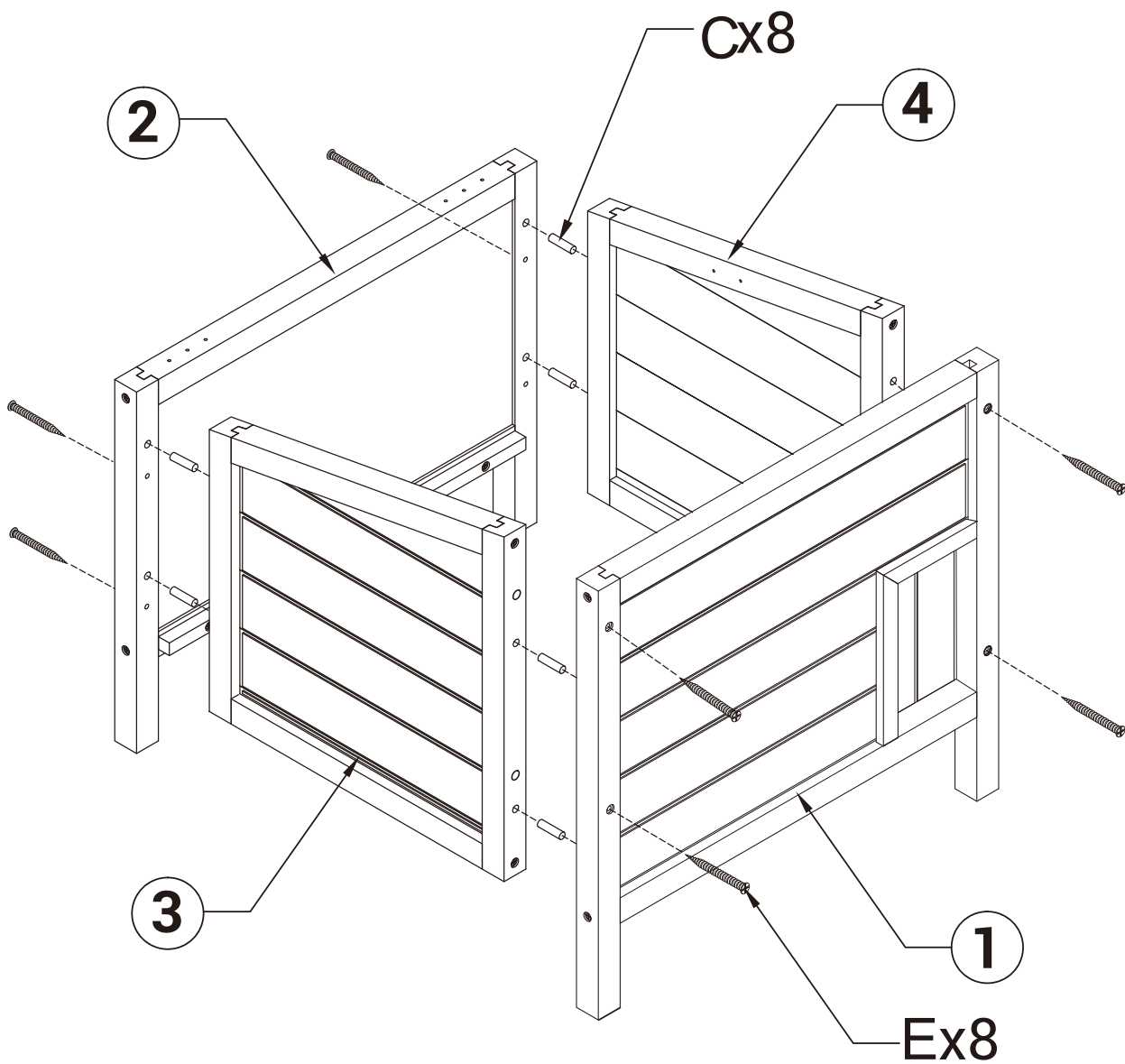
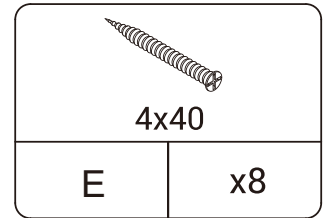
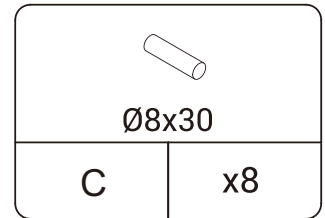
BOARD IDENTIFICATION



STEP 1

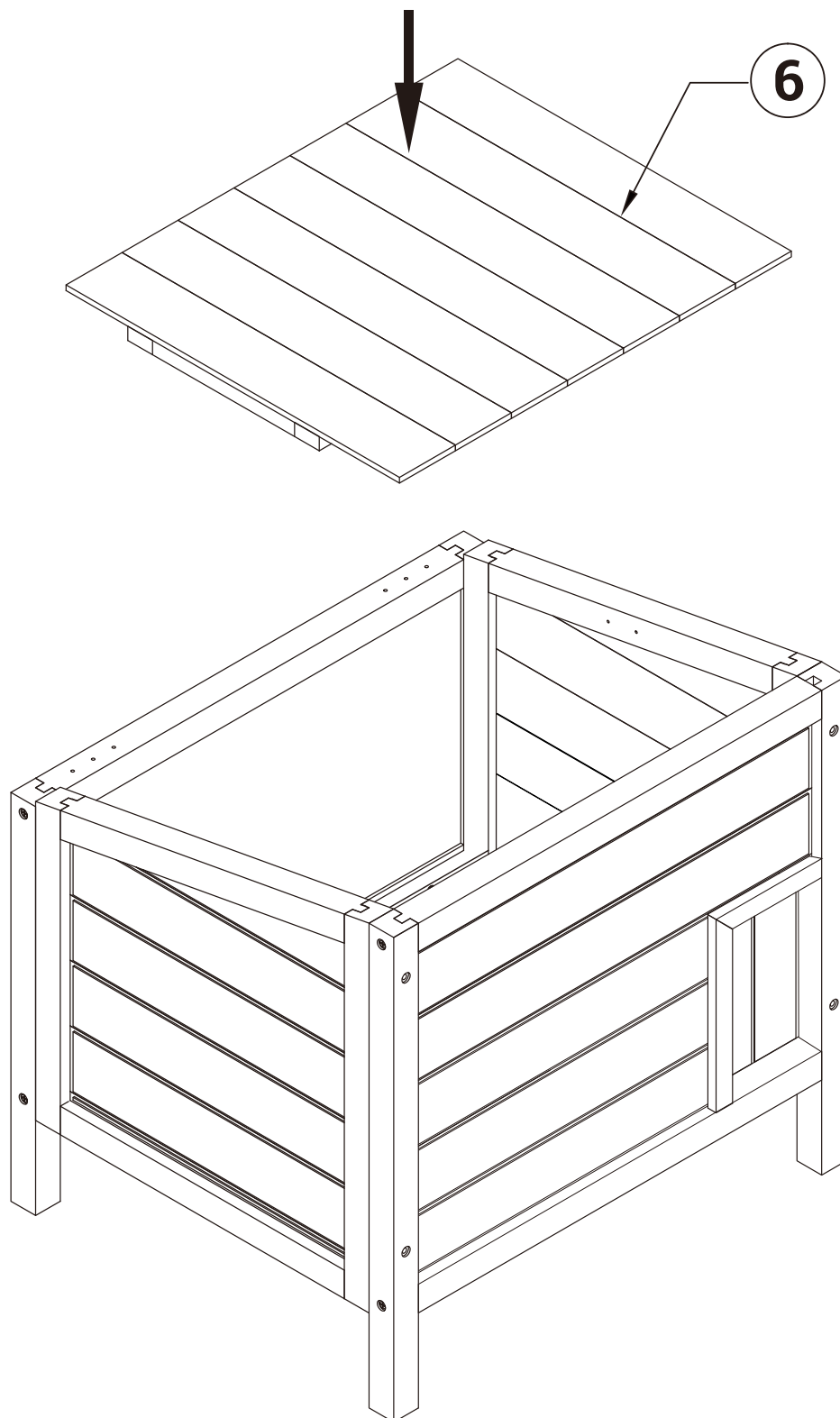
Place Wood dowel C in the corresponding hole of board 1,2,3,4. Tighten again with screws E.

Tips: Attention the position of boards 3 and 4.



STEP 2

Put the bottom plate 6 into the cage.



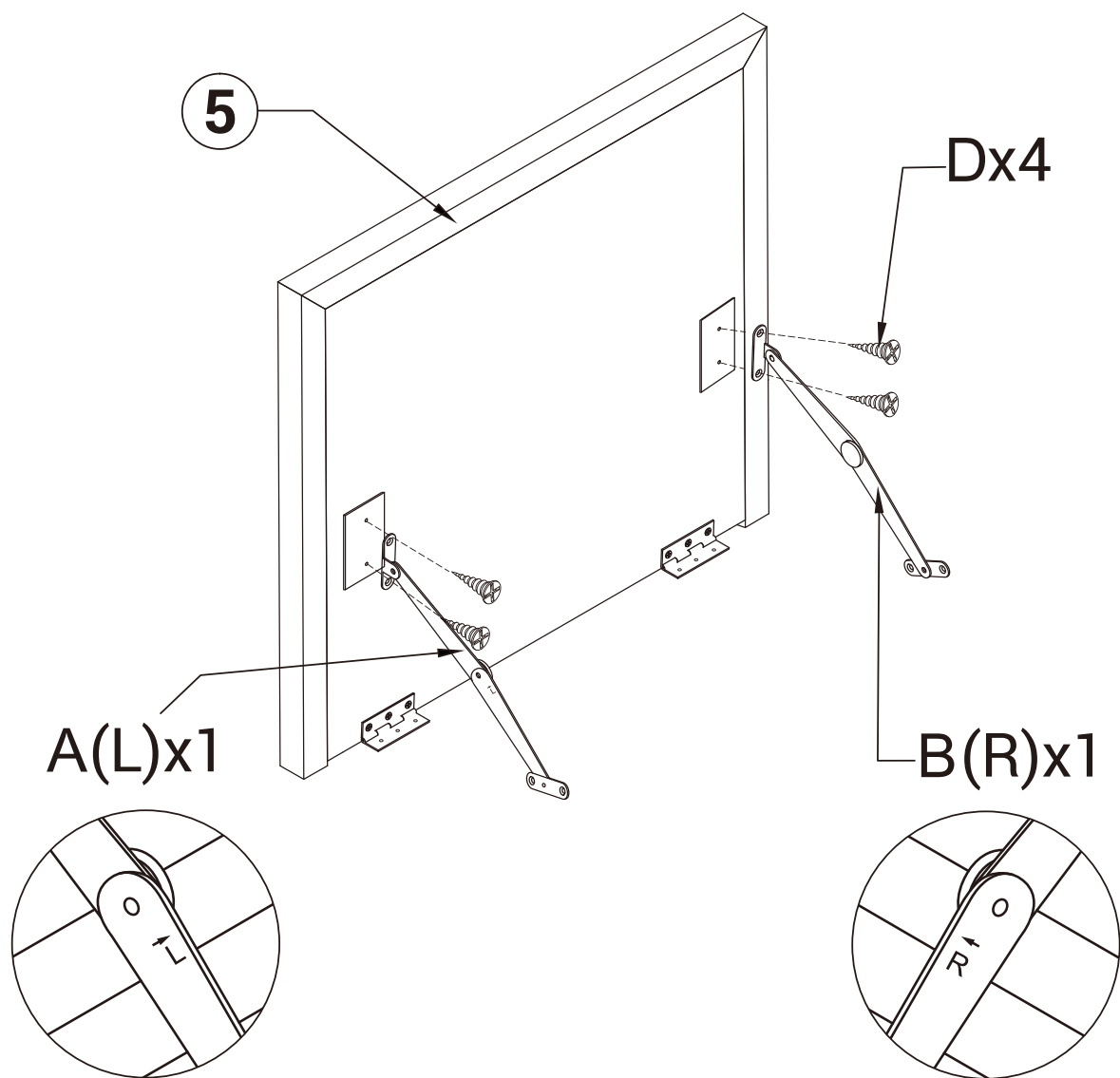
STEP 3

Fixing A(L) and B(R) to the board 5.
Tips: Arrow symbol facing up.

A(L)	x1


B(R)	x1

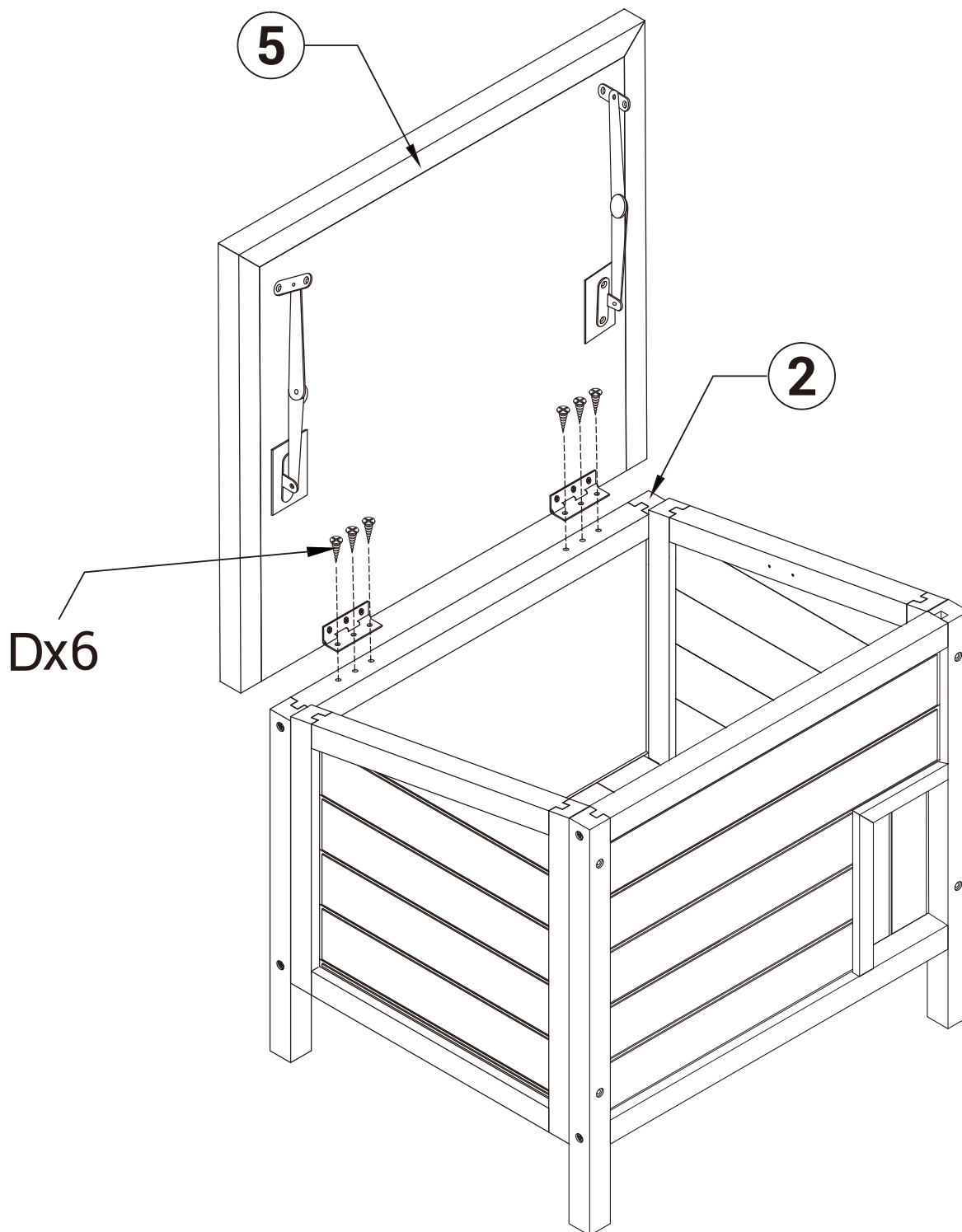
3x16	
D	x4



STEP 4


Fixing 5 to the board 2 with screws D.

	
3x16	
D	x6



STEP 5

Fixing A(L) to the board 3 with screws D.
Fixing B(R) to the board 4 with screws D.

	
3x16	
D	x4

