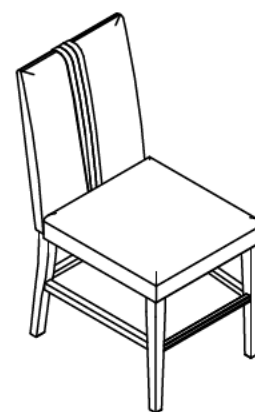


Assembly Instructions

Warning :

- Be sure to check all packing material carefully for small parts, which may have come loose inside the carton during shipment.
- To prevent possible scratches and damage, this furniture must be assembled on a soft surface such as a blanket or carpet.

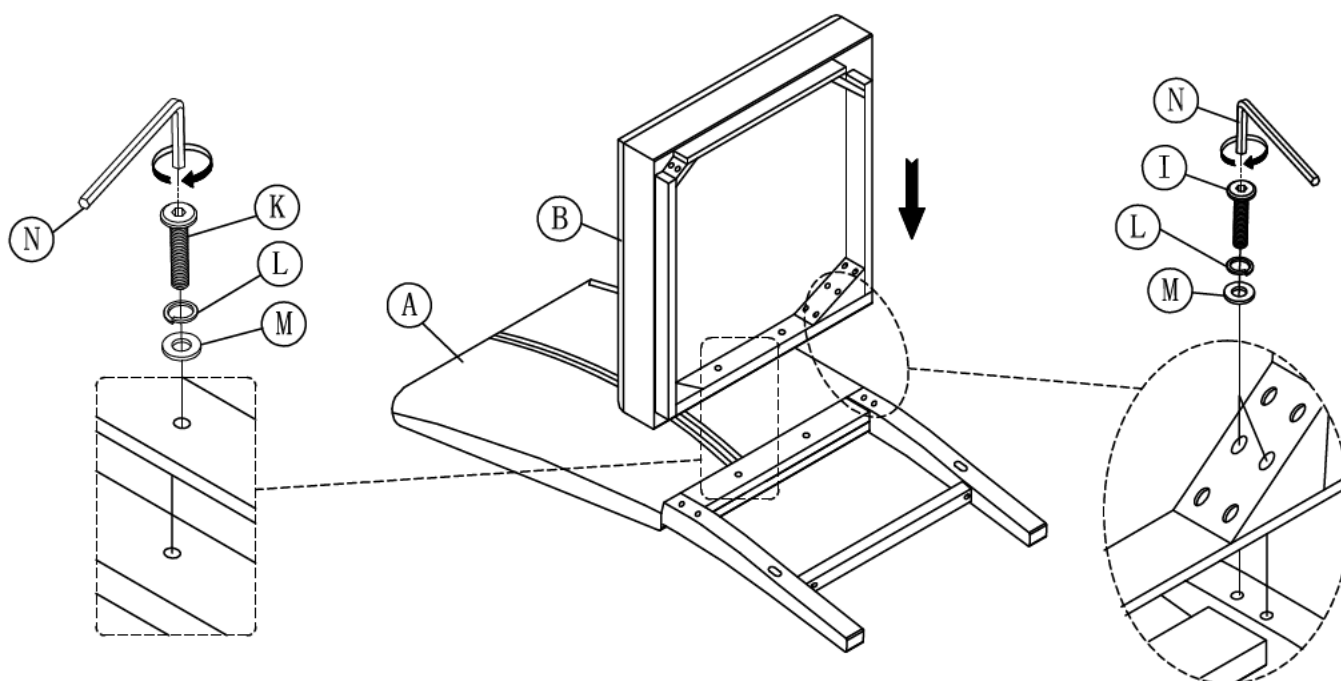


Counter Height Chair

Components and Hardware List

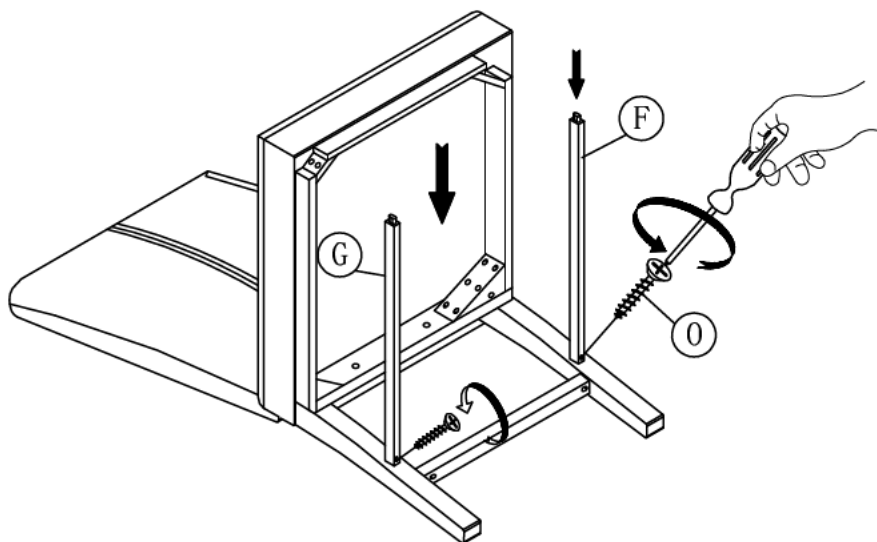
Chair Back 1 pc.	Seat Cushion 1 pc.	Right Leg 1 pc.	Left Leg 1 pc.	Front Stretcher (Metal U) 1 pc.	
Side Stretcher (Right) 1 pc.	Side Stretcher (Left) 1 pc.	Allen Head Bolt Ø5/16"-18 x 2-1/4" 4 pcs.	Allen Head Bolt Ø5/16"-18 x 3" 4 pcs.	Allen Head Bolt Ø5/16"-18 x 1-3/4" 2 pcs.	Spring Washer Ø5/16"x Ø13 10 pcs.
Allen Key M4 x 2-1/2" 1 pc.	Wood Screw #4 x 1-1/2" 6 pcs.	Screw Driver not included 			
(M) 10 pcs.					Flat Washer Ø5/16"x Ø19 10 pcs.

STEP 1: Do not fully tighten the bolts.

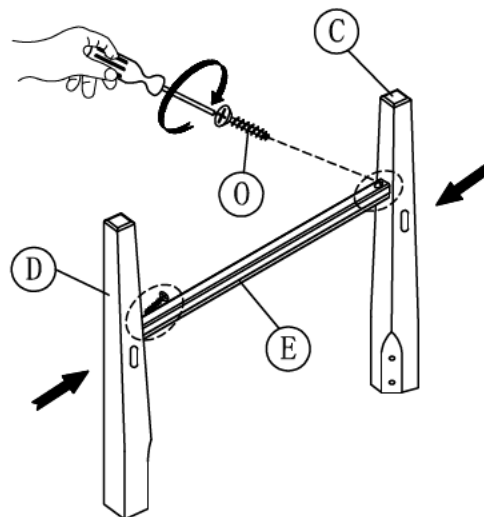


Assembly Instructions

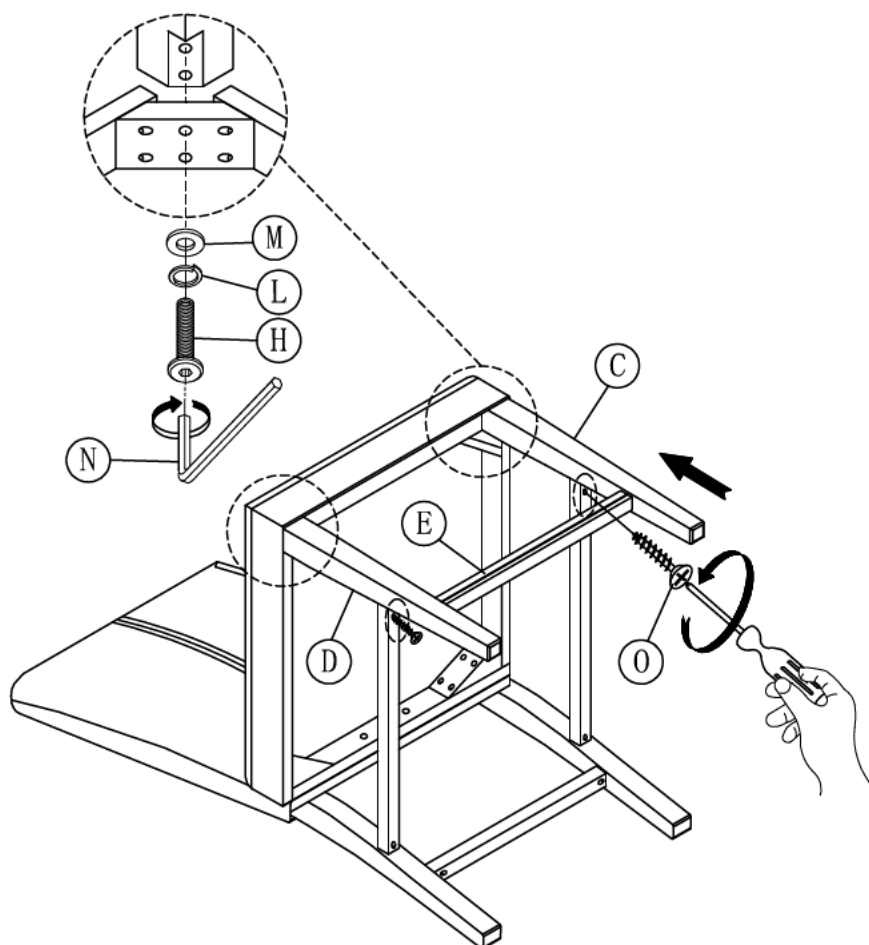
STEP 2: Do not fully tighten the screw.



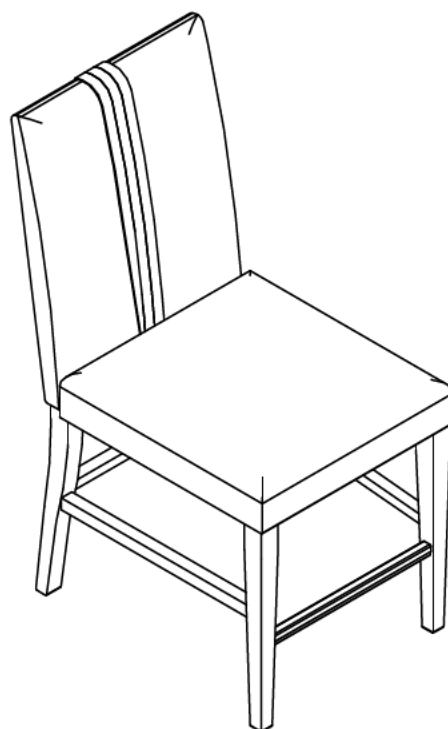
STEP 3



STEP 4: Using the Allen Key to tighten all bolts.



Complete



STEP 5: Using a Phillips head screwdriver tighten all screws.