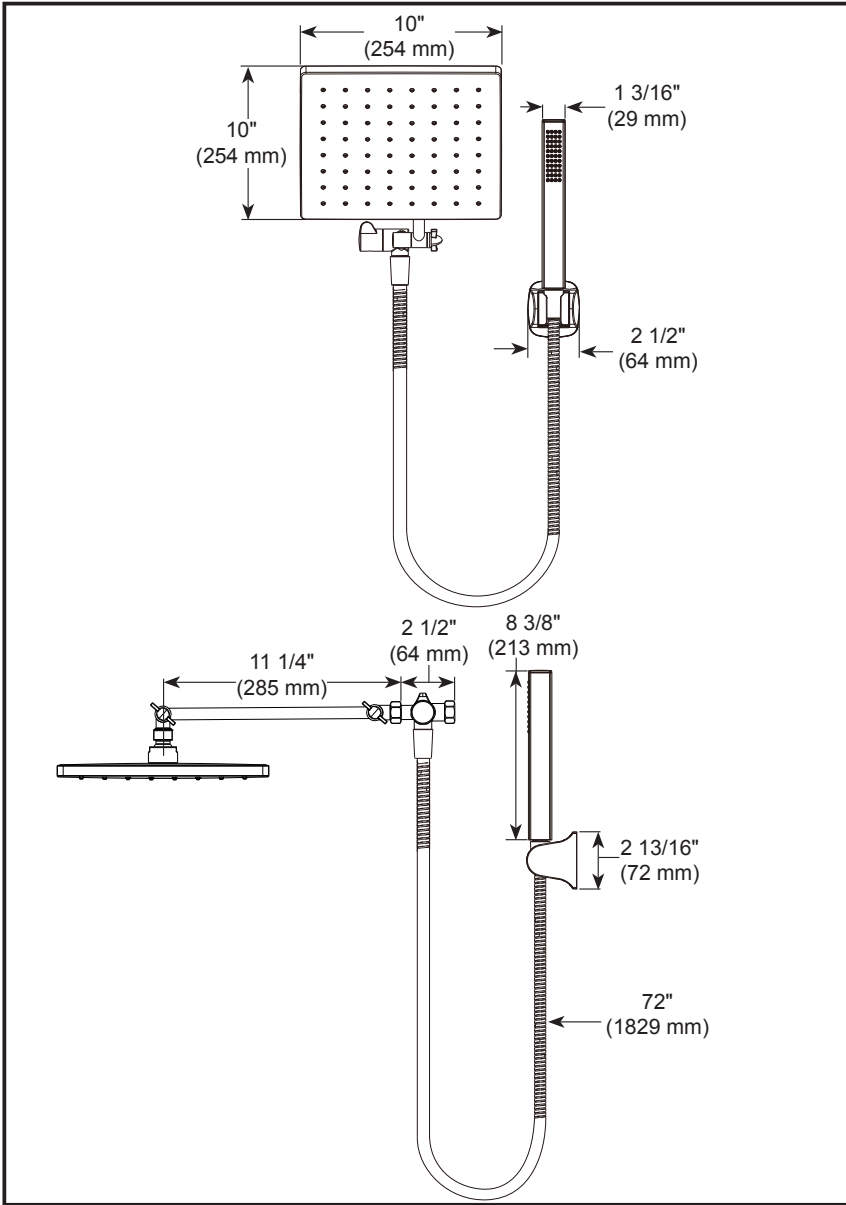


75527 ▲

Submitted Model No.:

Specific Features:



▲ Designate proper finish suffix

Delta reserves the right (1) to make changes in specifications and materials, and (2) to change or discontinue models, both without notice or obligation. Dimensions are for reference only. See current full-line price book or www.deltafaucet.com for finish options and product availability.

DSP-B-75527 Rev. A



see what Delta can do™

ADJUSTABLE ARM WITH OVERHEAD SHOWER

- 1-Spray Setting Hand Shower
- Additional Docking Mount for Hand Shower

FEATURES:

- Touch-Clean® Nozzles

STANDARD SPECIFICATIONS

- Max flow rate 1.75 gpm @ 80 psi, 6.6 L/min @ 550 kPa
- 3-Way diverter allows for single or shared operation of shower head and hand shower
- 10" (254mm) large raincan shower head
- Shower arm adjustable 11" (279mm) up and down
- Additional Docking Mount for Hand Shower can swivel 35° forward to 5° backward
- 72" (1829 mm) stainless steel hose (Chrome, SN & CZ finishes only)
- 72" (1829 mm) UltraFlex® hose (BL finish only)

WARRANTY

- Parts and Finish - Lifetime limited warranty; or for commercial purchasers, 10 years for multi-family residential (apartments and condominiums) and 5 years for all other commercial uses, in each case from the date of purchase.
- Electronic Parts and Batteries (if applicable) - 5 years from the date of purchase; or for commercial purchasers, 1 year from the date of purchase. No warranty is provided on batteries.



COMPLIES WITH:

- ASME A112.18.1 / CSA B125.1
- EPA WaterSense®

Delta Faucet Company

55 E. 111th Street, Indianapolis, IN 46280
 350 South Edgeware Road, St. Thomas, ON N5P 4L1
 © 2023 Delta Faucet Company