



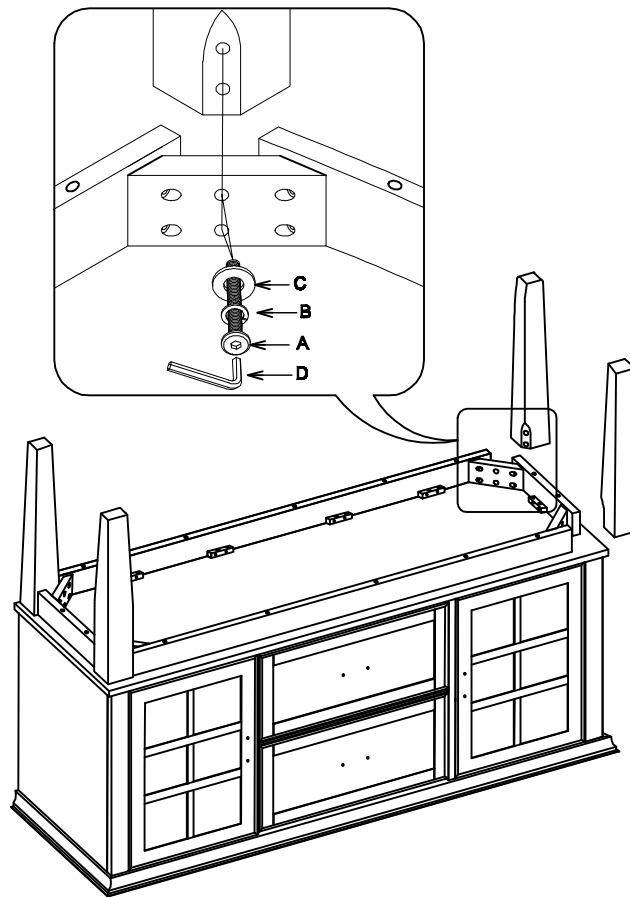


# ASSEMBLY INSTRUCTION

PAGE 1 OF 1

NO#	Hardware list			QTY
A	BOLT		5/16" x 64mm	8pcs
B	LOCK WASHER		5/16"	8pcs
C	WASHER		5/16"	8pcs
D	ALLEN KEY		4 mm	1pc

## STEP 1



## STEP 2

