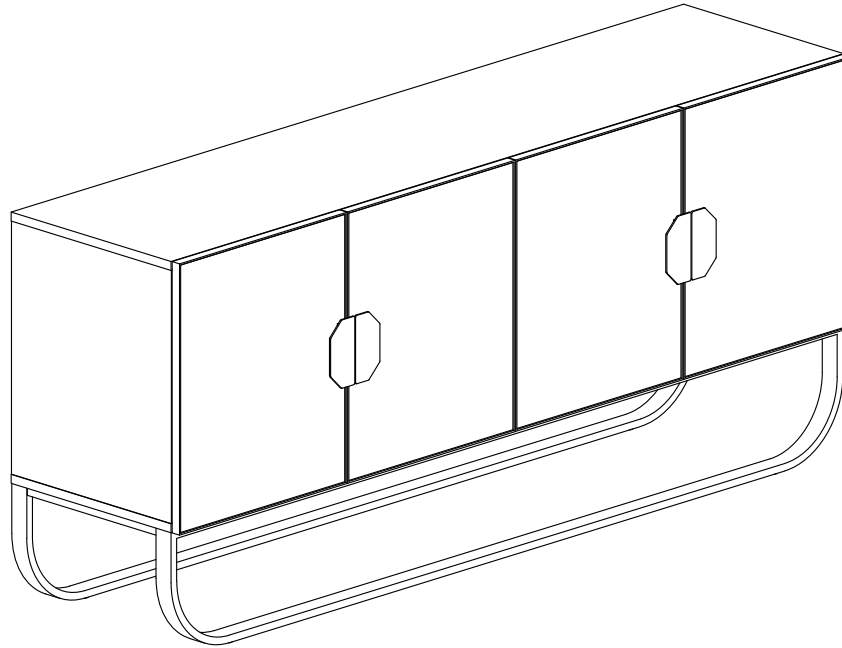


**TIPS: Before installation, please read the assembly instructions carefully.**



Clihome:

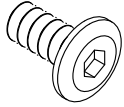
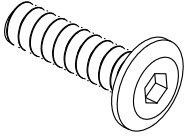
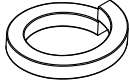
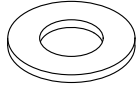
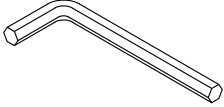

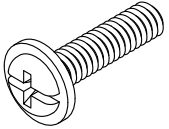
[service@alipuinc.com](mailto:service@alipuinc.com)

Browsing our website will bring you more surprises.

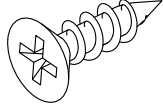
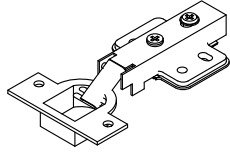
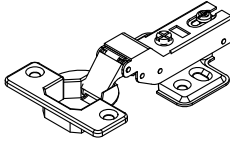
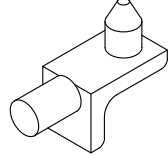
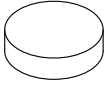

<https://clihome.net/>

303-747-4421

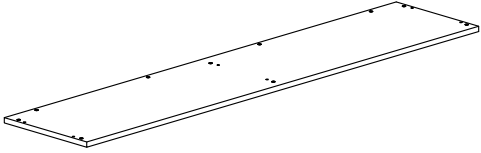
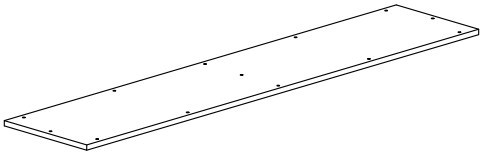
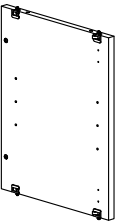
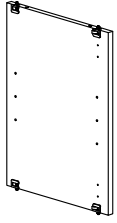
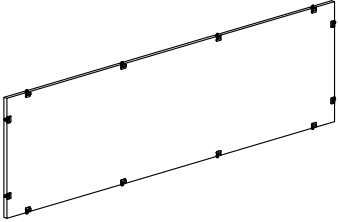
**HARDWARE LIST:**

LABEL	PICTURE	DESCRIPTION	QTY
A		SCREW (M6*12)	12PCS
B		SCREW (M6*30)	13PCS
C		NUT (M6)	25PCS
D		WASHER (ø16-ø6*1.5)	25PCS
E		ALLEN KEY (ø4)	1PC
F		WOOD PLUG (ø8*40)	12PCS
G		SCREW (M4*25)	8PCS

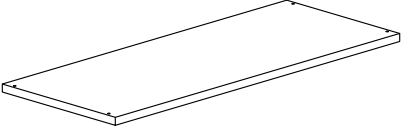
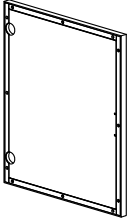
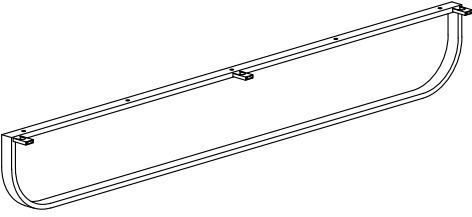
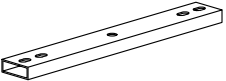
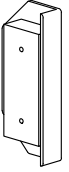
**HARDWARE LIST:**

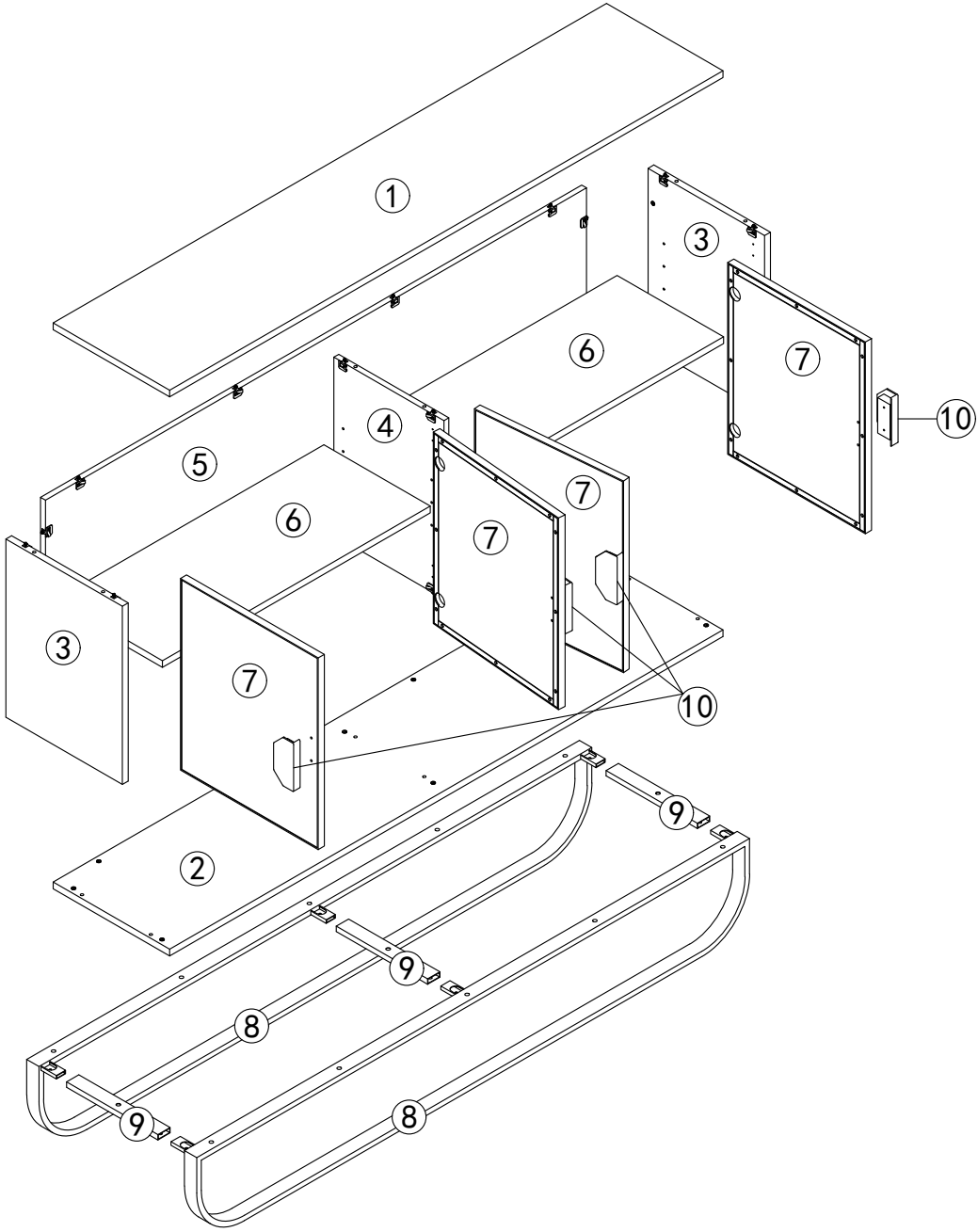
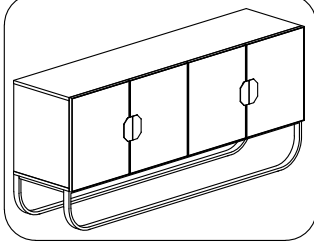
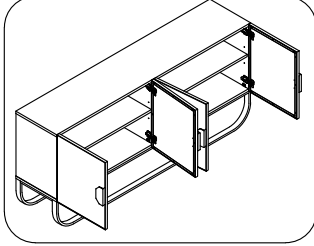
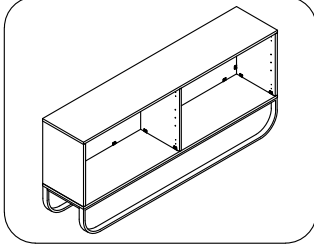
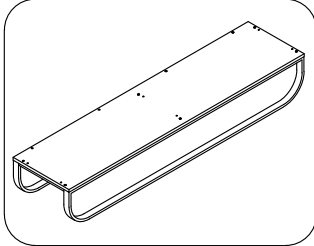
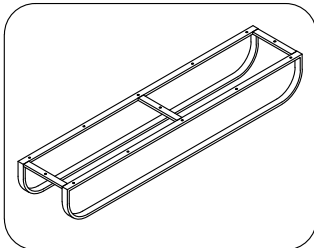
LABEL	PICTURE	DESCRIPTION	QTY
H		SCREW (M4*16)	48PCS
I		FULL OVERLAY HINGE (ø35)	4PCS
J		HALF OVERLAY HINGE (ø35)	4PCS
K		SHELF SUPPORT (21*16*9)	8PCS
L		DOOR BUMPER (ø10*2)	8PCS
M		TIPPING RESTRAIN	2PCS

### PART LIST:

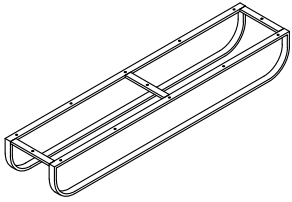
LABEL	PICTURE	DESCRIPTION	QTY
1		TOP PANEL	1PC
2		BOTTOM PANEL	1PC
3		SIDE PANEL	2PCS
4		MIDDLE SIDE PANEL	1PC
5		BACK PANEL	1PC

### PART LIST:

LABEL	PICTURE	DESCRIPTION	QTY
6		ADJUSTABLE SHELF	2PCS
7		DOOR	4PCS
8		SIDE FRAME	2PCS
9		CONNECTING BAR	3PCS
10		HADDLE	4PCS

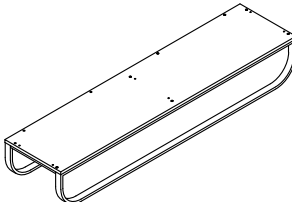


STEP 1

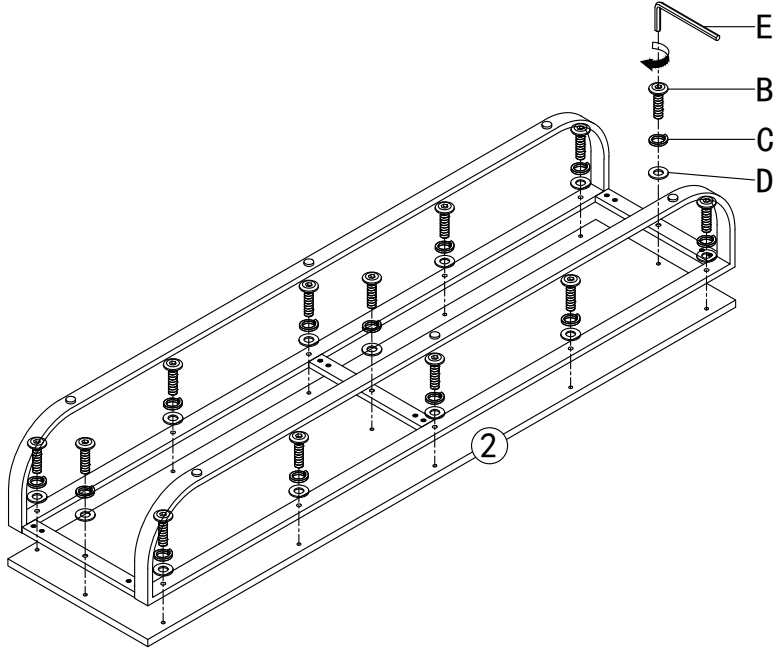
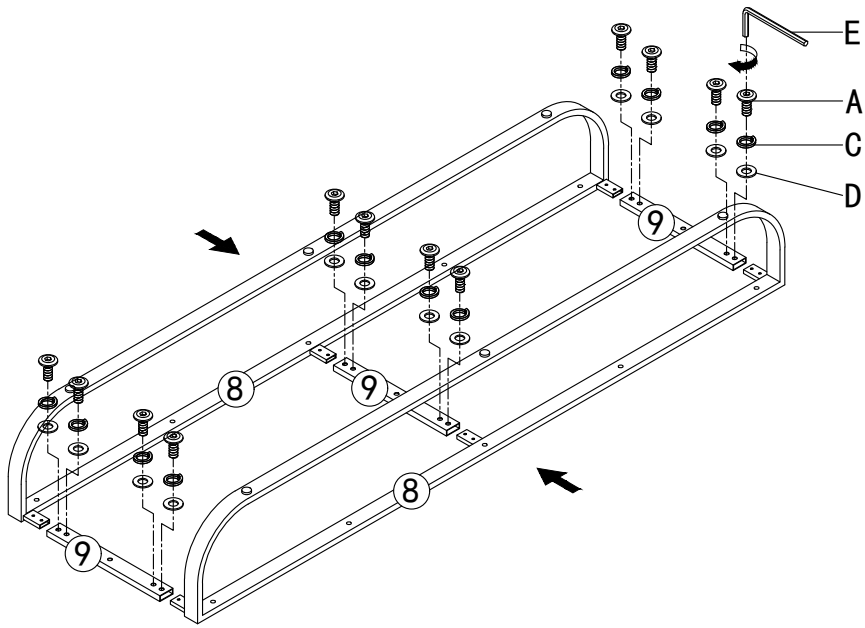


LABEL	PICTURE	QTY
A		12PCS
C		12PCS
D		12PCS
E		1PC

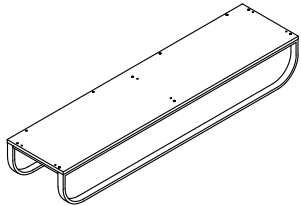
STEP 2



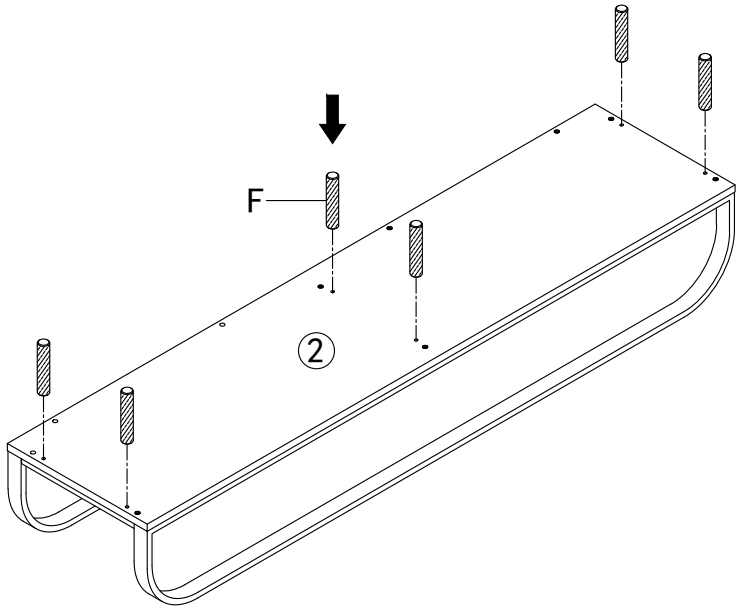
LABEL	PICTURE	QTY
B		13PCS
C		13PCS
D		13PCS
E		1PC



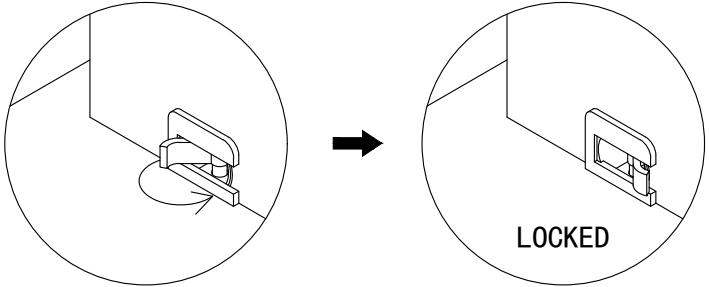
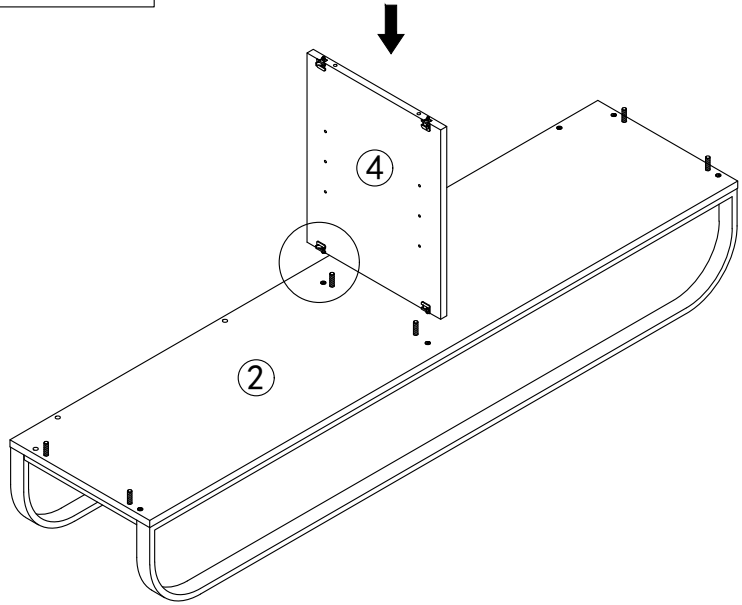
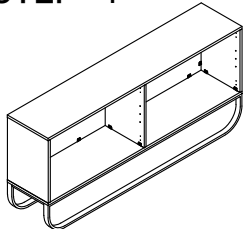
STEP 3



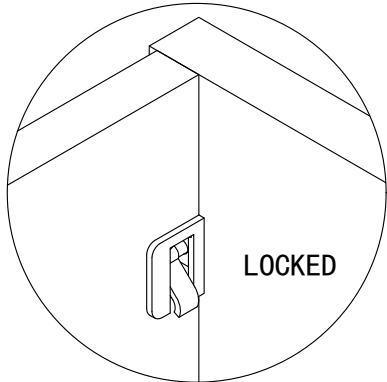
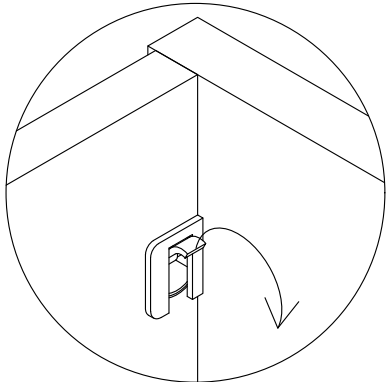
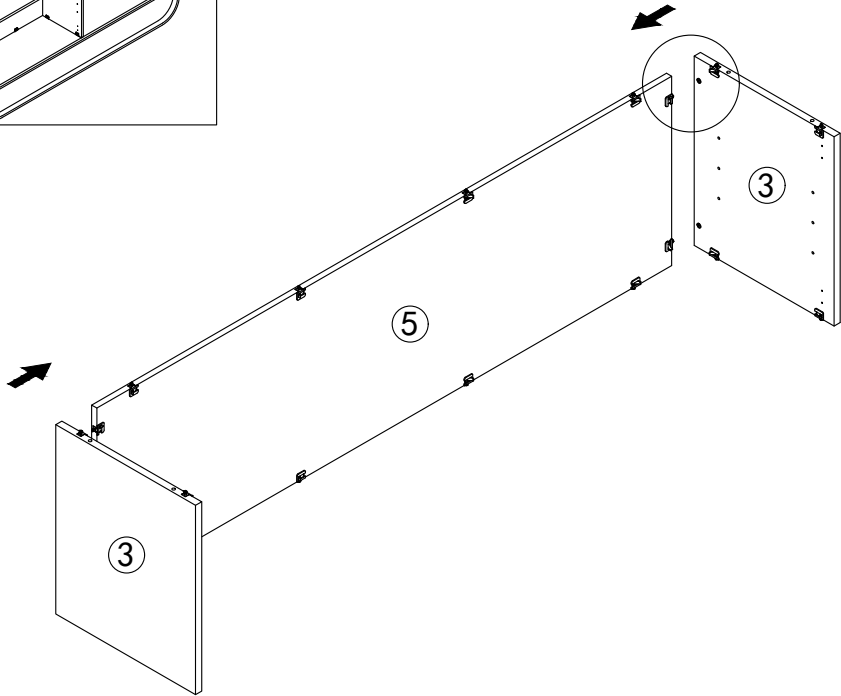
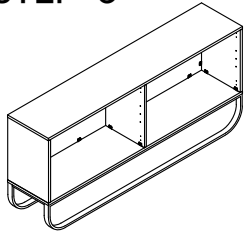
LABEL	PICTURE	QTY
F		6PCS



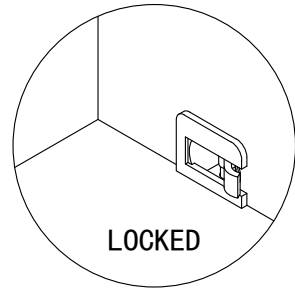
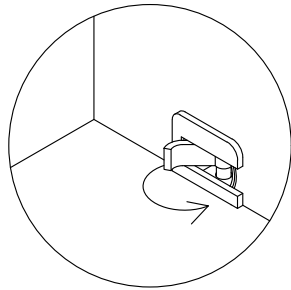
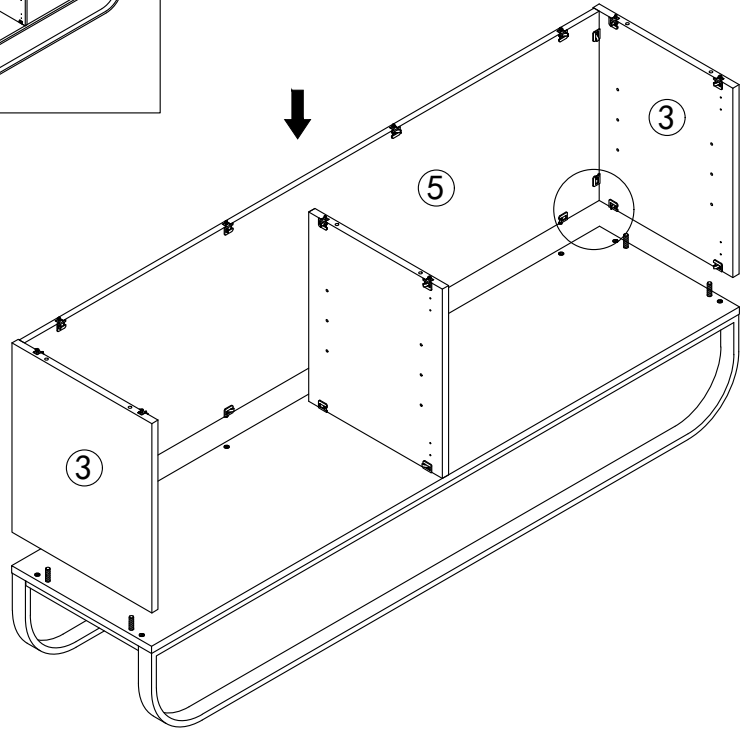
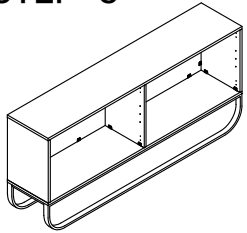
STEP 4



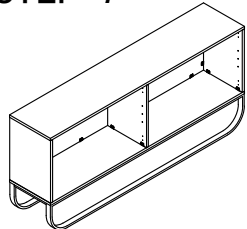
STEP 5



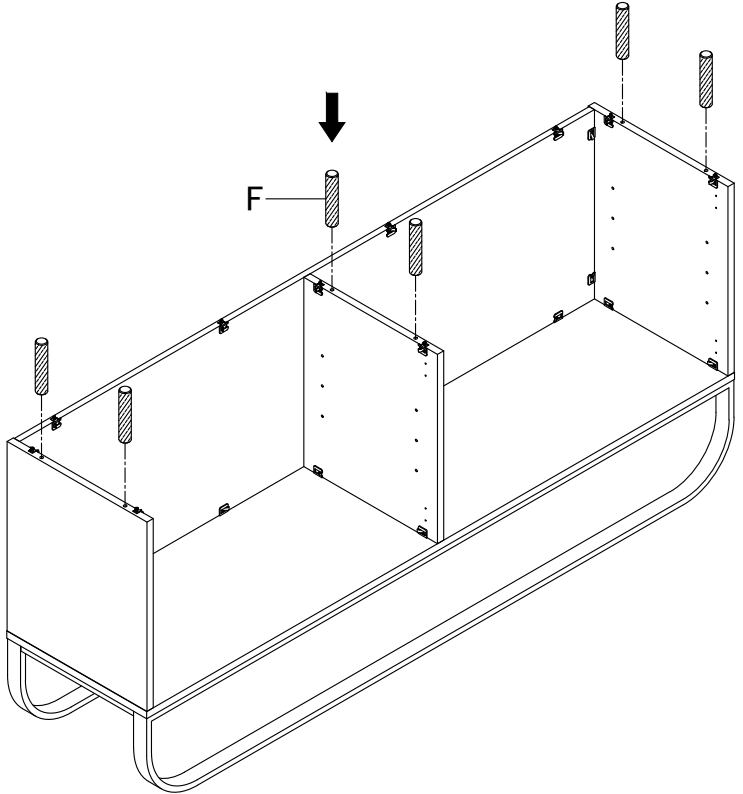
STEP 6



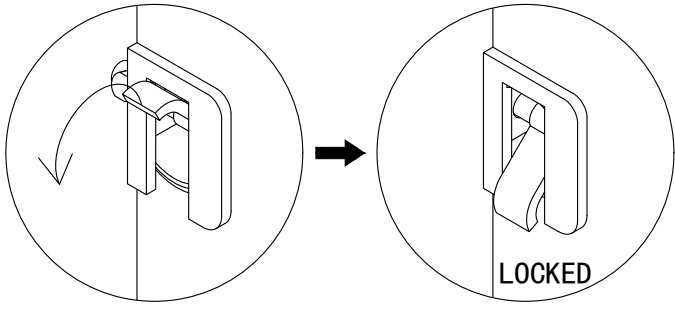
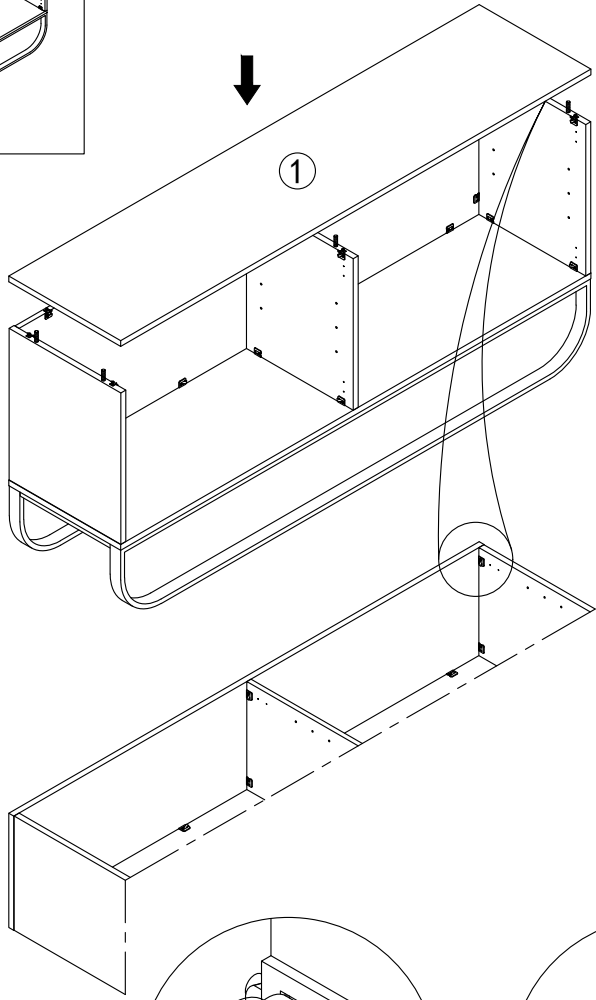
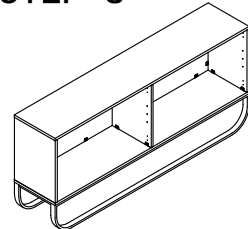
STEP 7



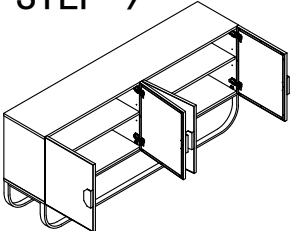
LABEL	PICTURE	QTY
F		6PCS



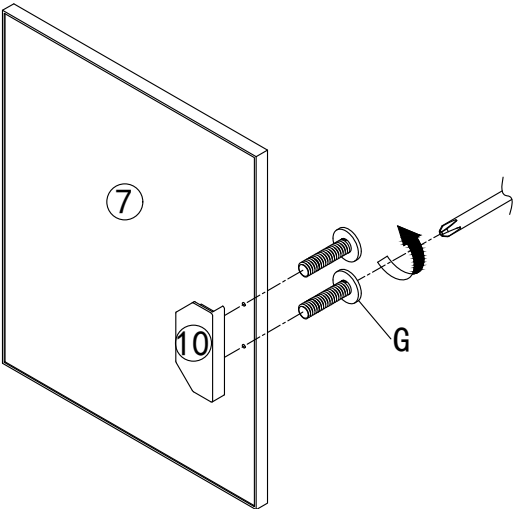
STEP 8



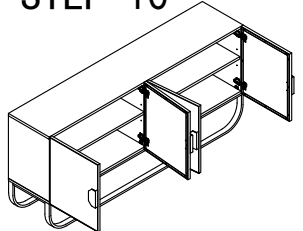
STEP 9



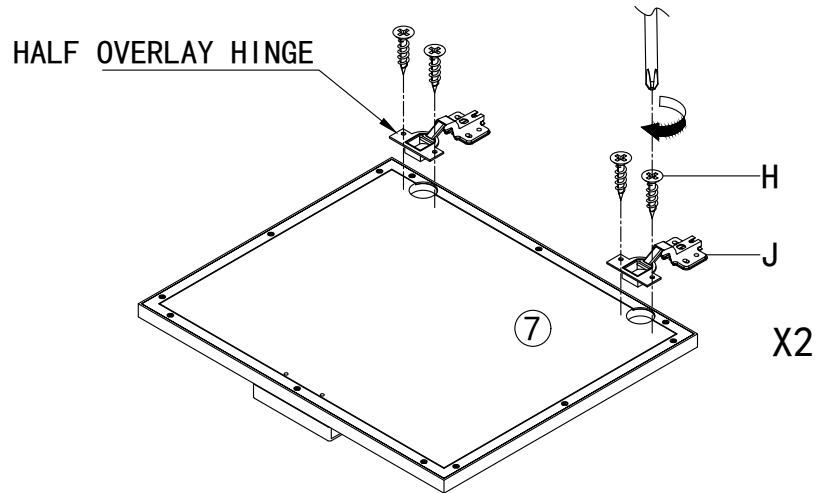
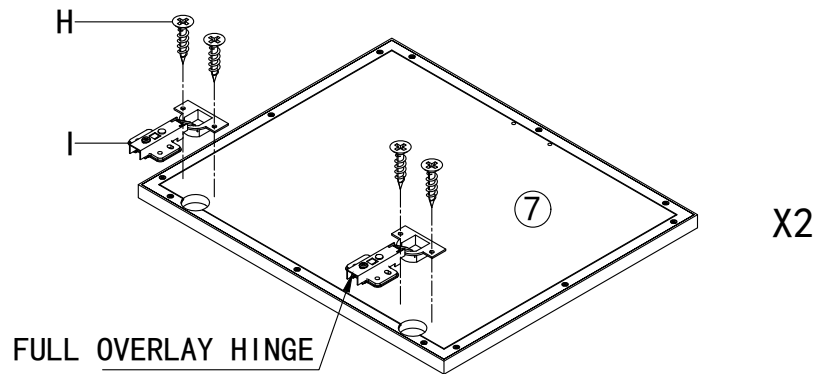
LABEL	PICTURE	QTY
G		8PCS



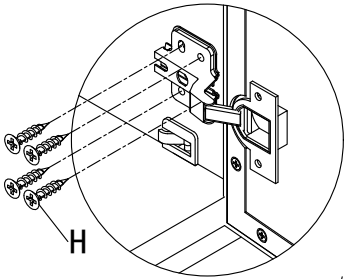
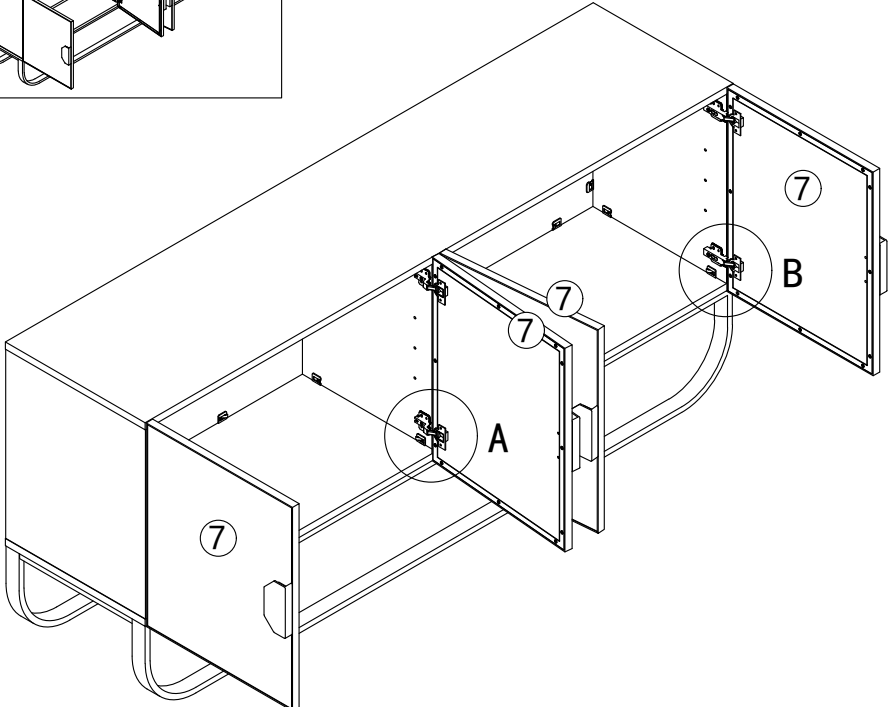
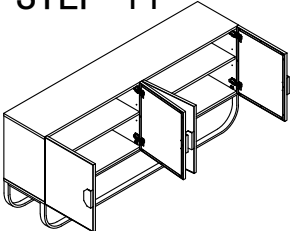
STEP 10



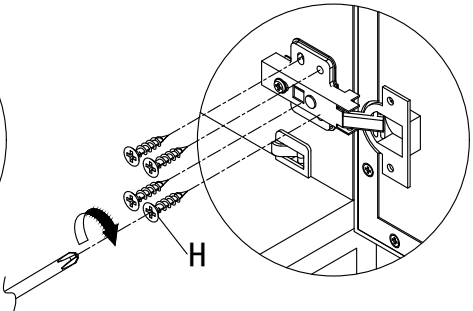
LABEL	PICTURE	QTY
H		16PCS
I		4PCS
J		4PCS



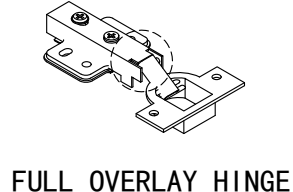
STEP 11



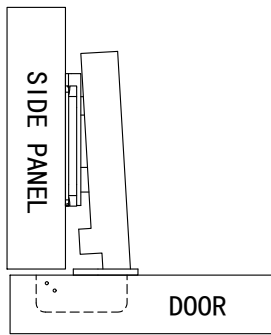
DETAIL A



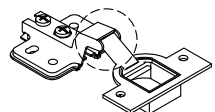
DETAIL B



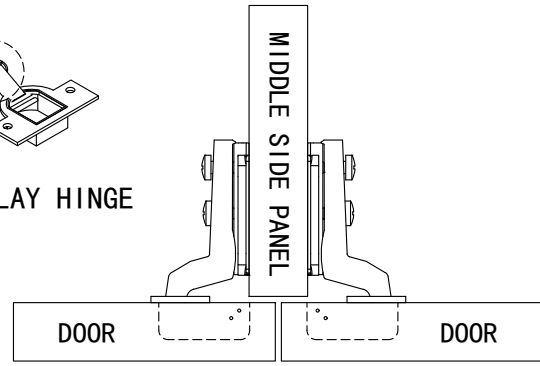
FULL OVERLAY HINGE



Note:  
The door can cover side panel.



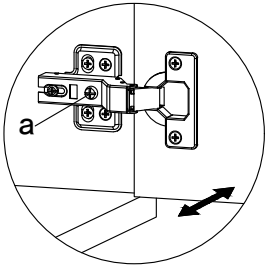
HALF OVERLAY HINGE



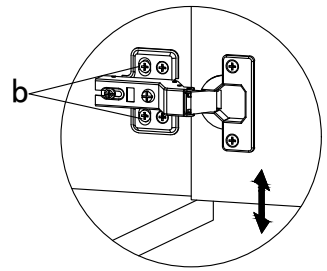
Note:  
Two doors can cover a middle side panel.

LABEL	PICTURE	QTY
H		32PCS

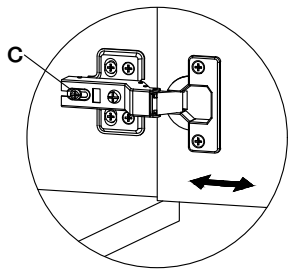
DOOR FITTING



To adjust in width

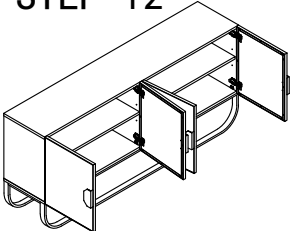


To adjust in height

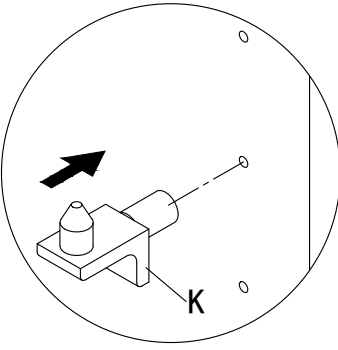
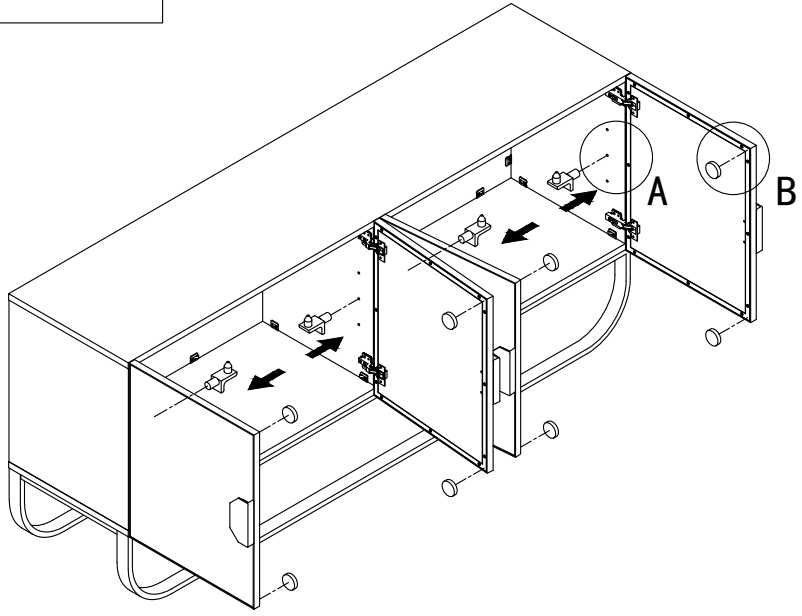


To adjust in depth

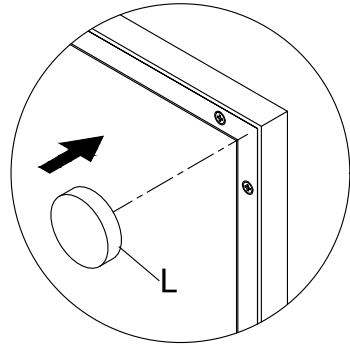
STEP 12



LABEL	PICTURE	QTY
K		8PCS
L		8PCS

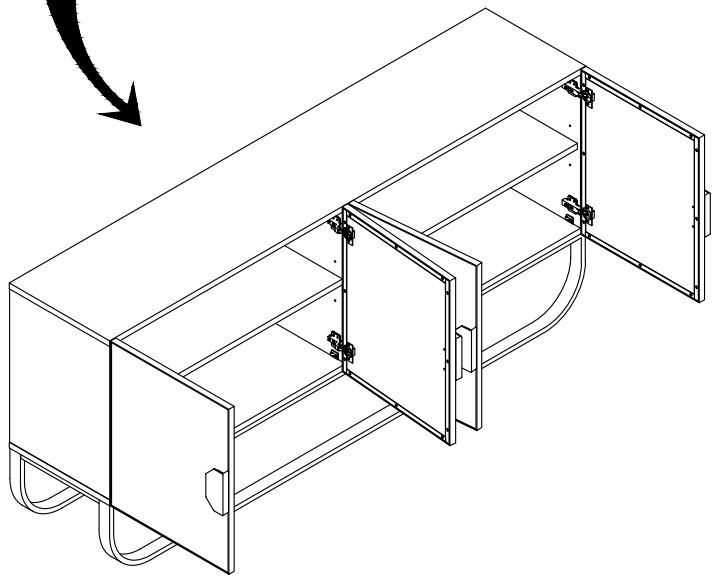
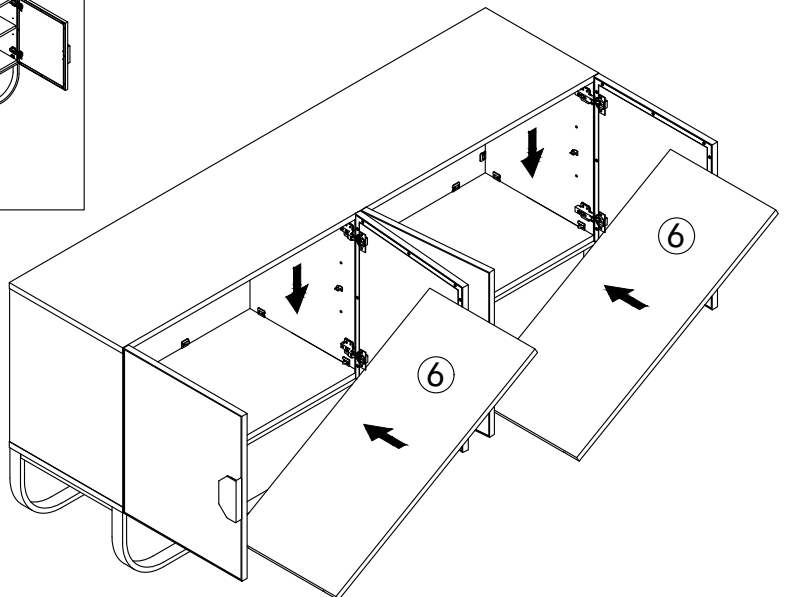
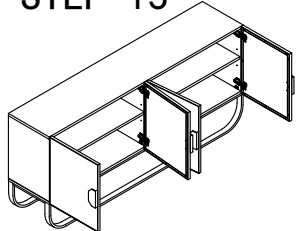


DETAIL A

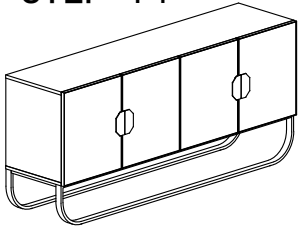


DETAIL B

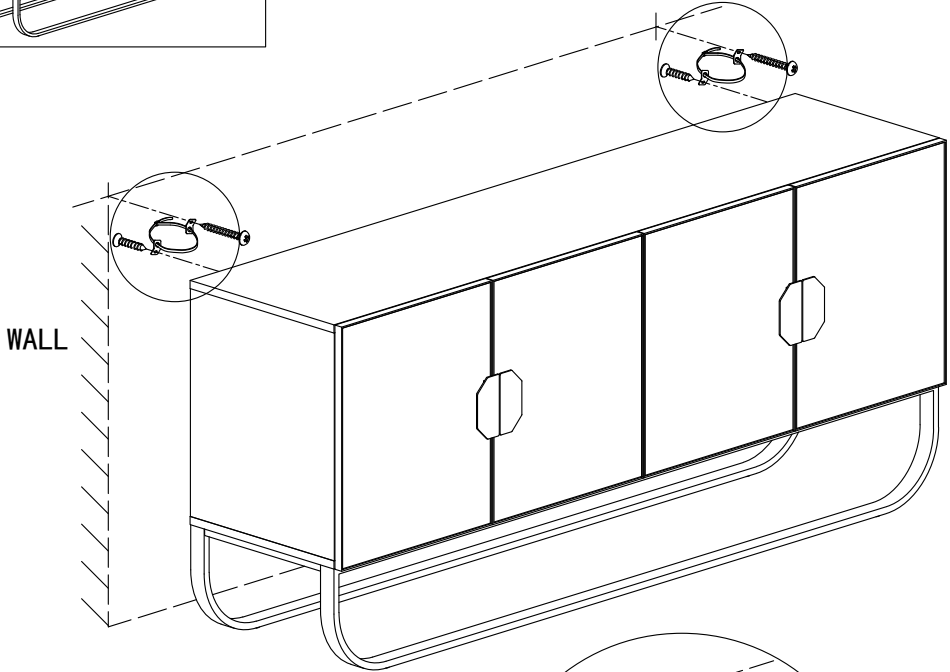
STEP 13



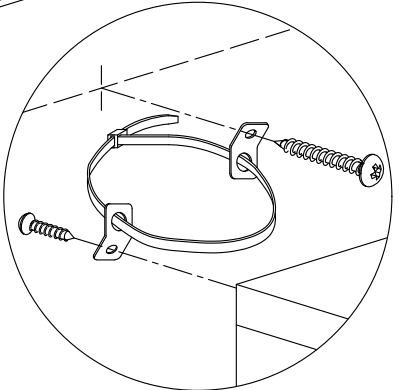
STEP 14



LABEL	PICTURE	QTY
M		2PCS

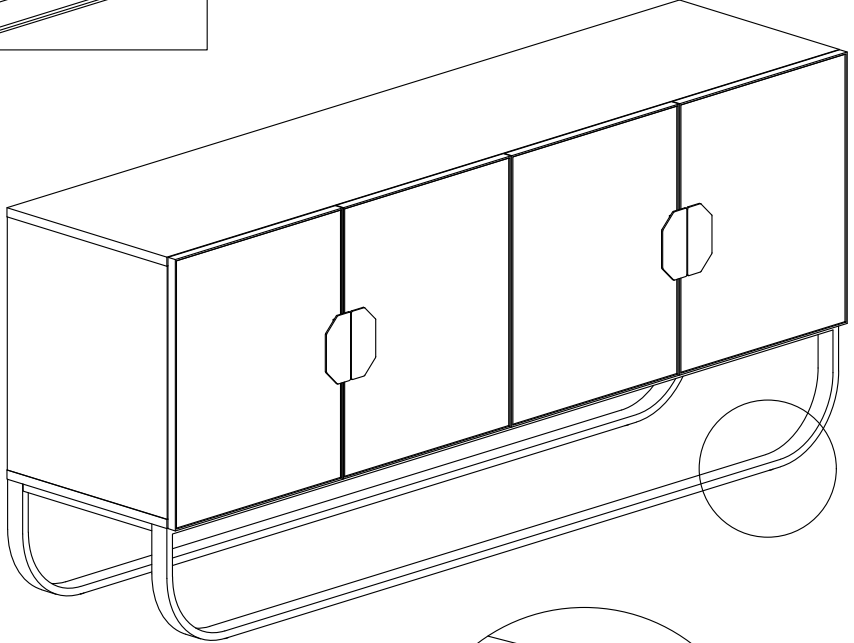
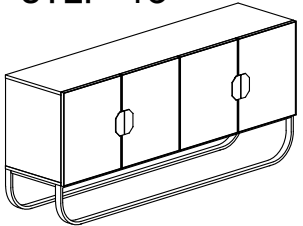


WALL

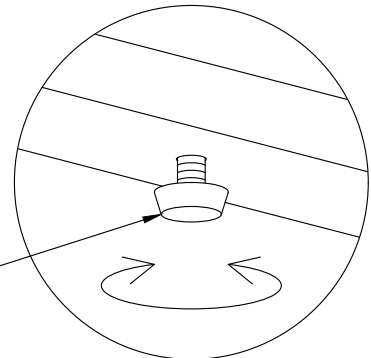


ANTI-TIP KIT INSTALLATION

STEP 15



ADJUSTABLE LEVELERS



To ensure the unit is level on the floor, please use the adjustable leveler on the bottom of each leg.