

ASSEMBLY INSTRUCTIONS



Fine Furniture for every stage of life

OTTOMAN

ASSEMBLY INSTRUCTIONS

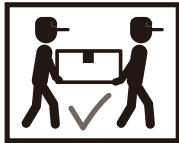
ASSEMBLY TIPS:

1. Remove hardware from box and sort by size.
2. Please check to see that all hardware and parts are present prior to start of assembly.
3. Please follow attached instructions in the same sequence as numbered to assure fast & easy assembly.



WARNING!

1. Don't attempt to repair or modify parts that are broken or defective. Please contact the store immediately.
2. This product is for home use only and not intended for commercial establishments.

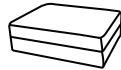


ASSEMBLY TIME

30 MINUTES

PARTS IDENTIFICATION

A OTTOMAN



1PC

B LEG



4PCS

HARDWARE IDENTIFICATION

Z01 ALLEN WRENCH
(D 5mm - RBW)



1PC

Z03 WASHER
(10 x 25mm - RBW)



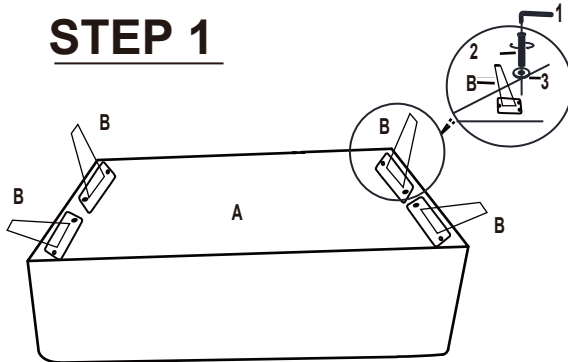
8PCS

Z02 BOLT
(8 x 30mm - RBW)

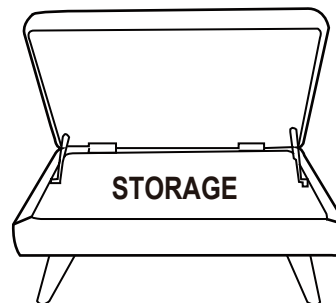


8PCS

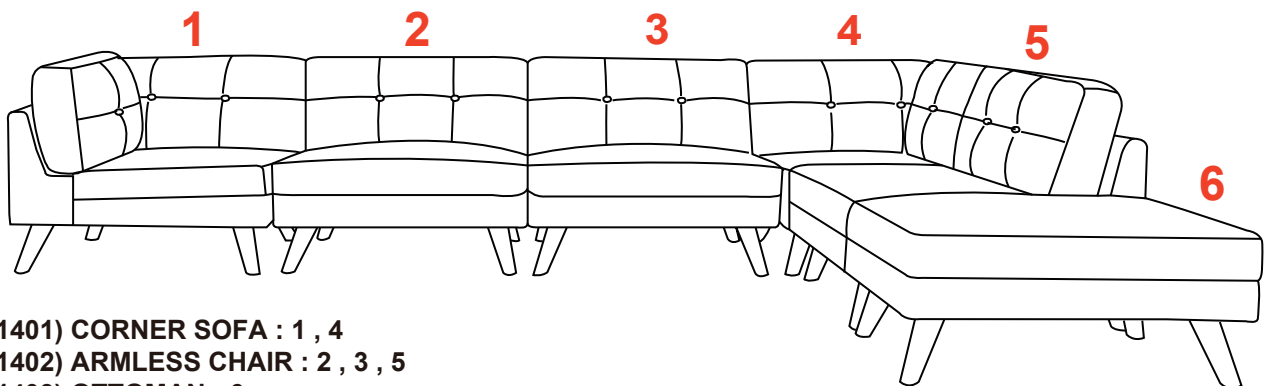
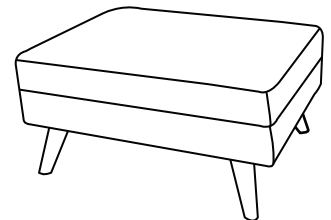
STEP 1



STEP 2



STEP 3



(551401) CORNER SOFA : 1 , 4

(551402) ARMLESS CHAIR : 2 , 3 , 5

(551403) OTTOMAN : 6

ASSEMBLY INSTRUCTIONS

PRODUCT DIMENSION (Note: Dimension tolerance $\pm 5\%$)

