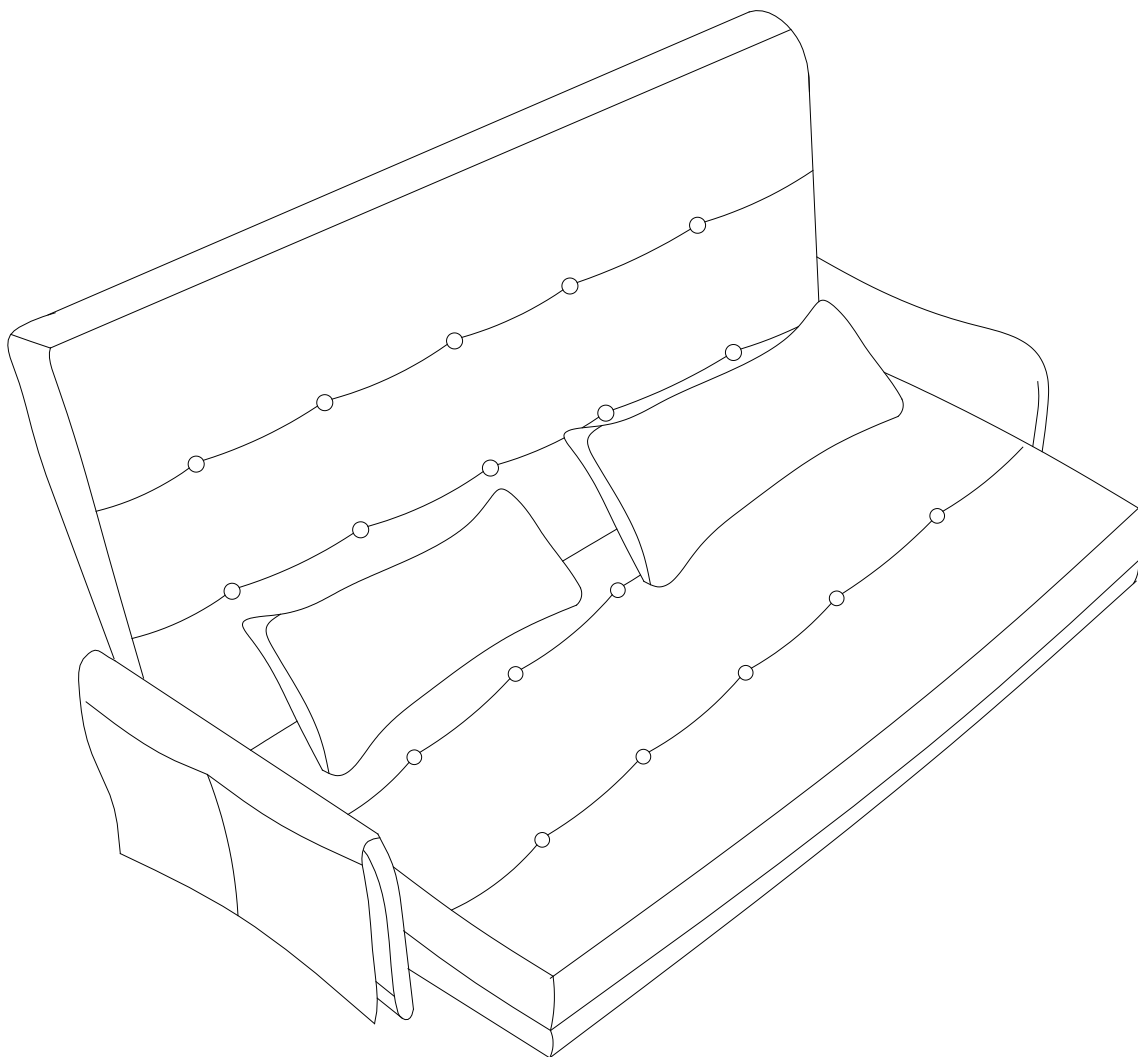


Folding Double Sofa Bed

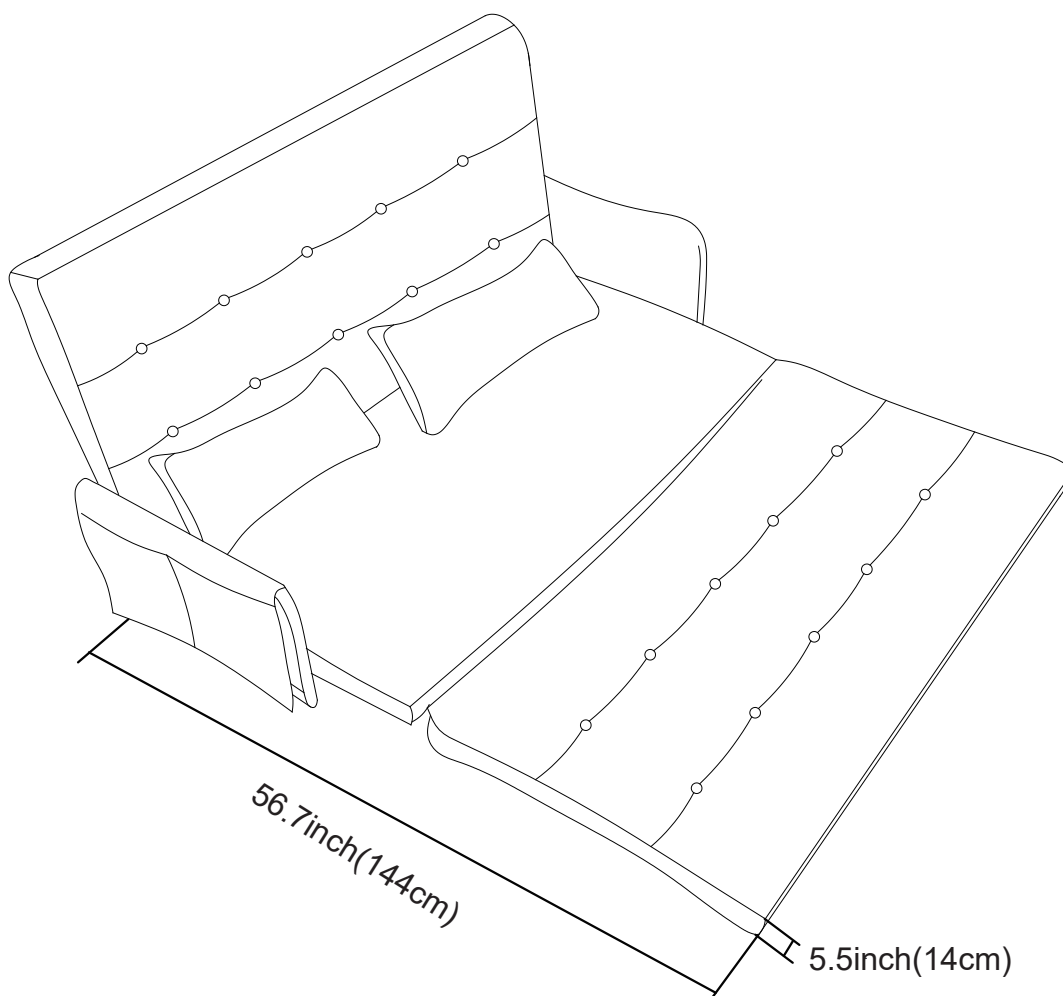
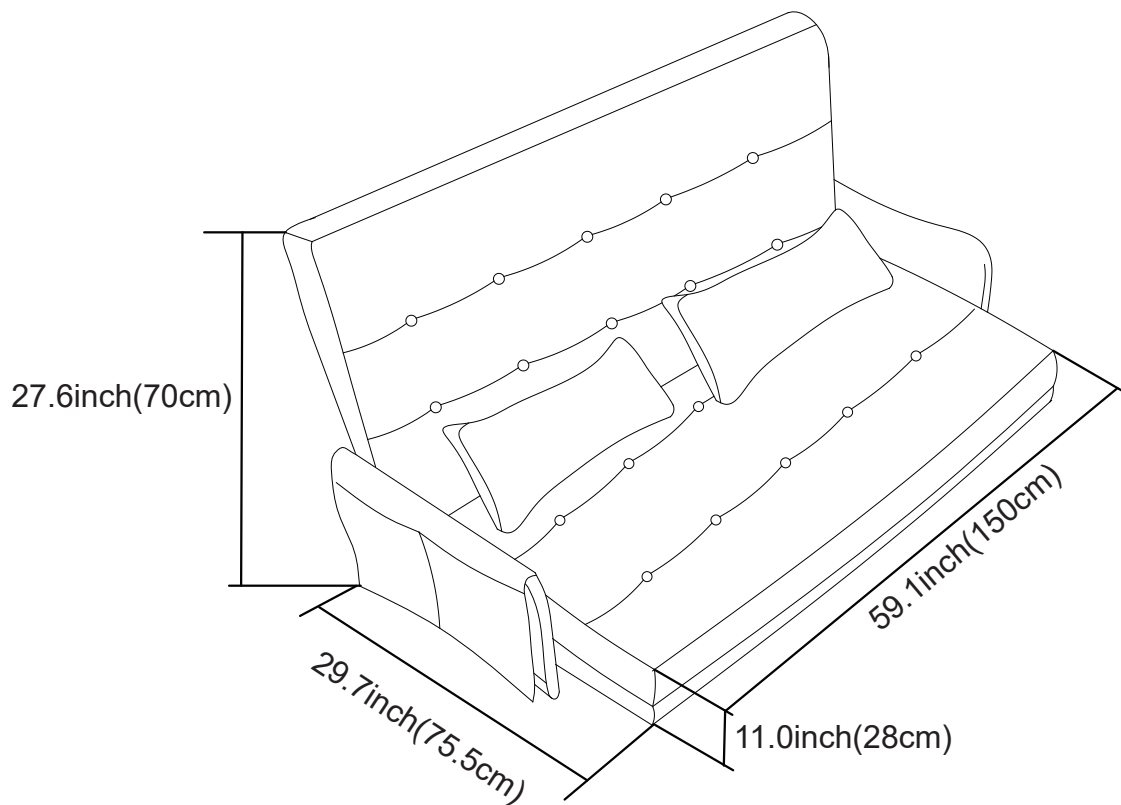


IMPORTANT

PLEASE READ BEFORE YOU COMMENCE ASSEMBLY

Follow the guidelines in this user guide to ensure correct assembly and care for this product.

Folding Double Sofa Bed



Catalog

Specifications..... 01

Catalog..... 02

Notice..... 03

Exploded Views..... 04

Part List And Screw Set List..... 05

How to Assemble The Folding Double Sofa Bed.....06



Before You Begin

Instructions are supplied in this manual and contain all appropriate information for your product.

Review all instructions before you begin and during assembly, follow the step sequence carefully for correct results.

1. All parts are packaged within the carton. Separate contents of the carton by the part number while reviewing parts list. Check to be sure that you have all the necessary parts for building.

2. Familiarize yourself with the hardware and fasteners for easier use during construction.

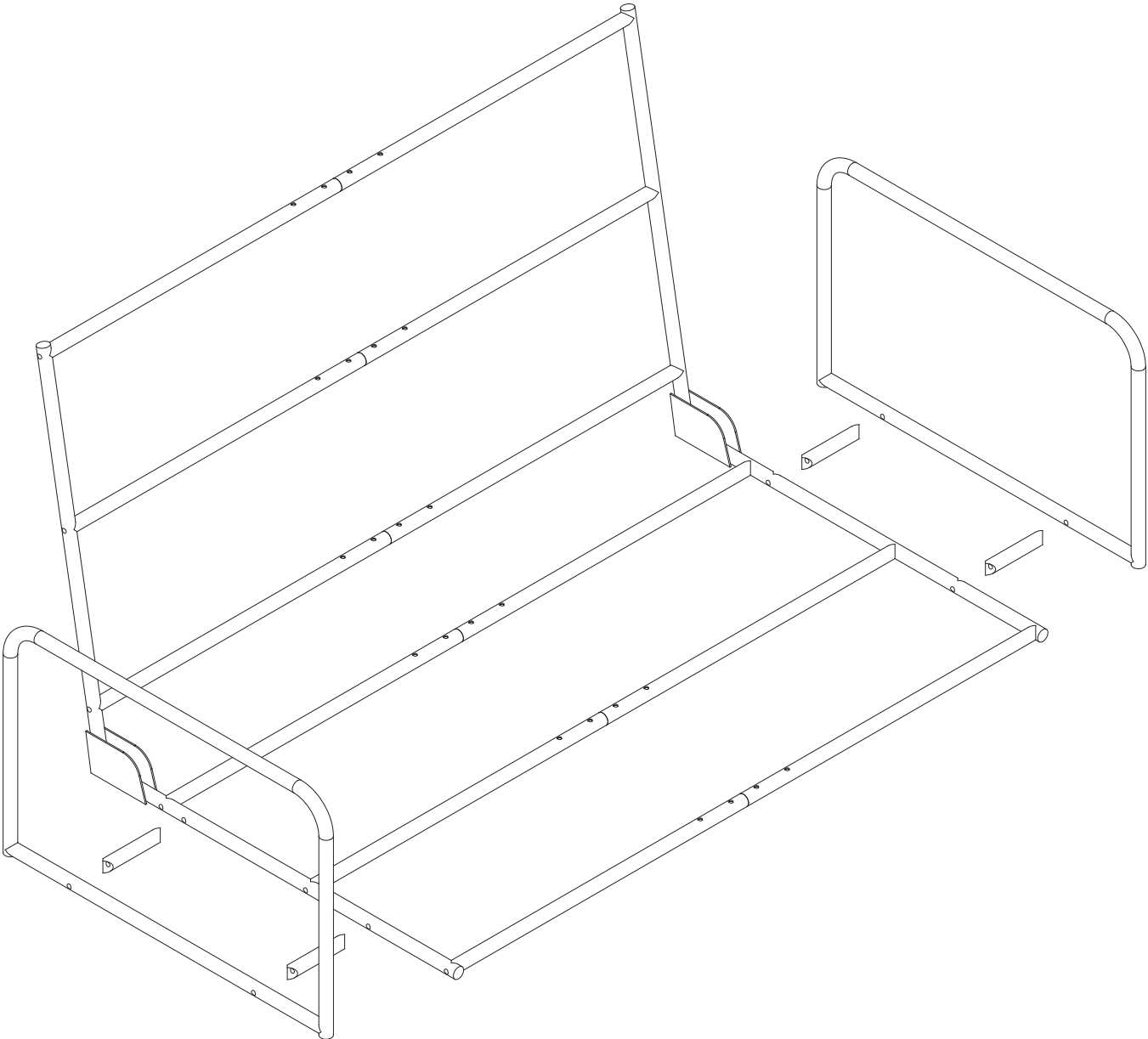
3. The first few steps show how to join related parts which is to obtain larger sub-assemblies be used later.

4. Note that extra fasteners have been supplied for your convenience.

5. If you have an electric screwdriver, you can use it instead of the screwdriver we provide. An electric screwdriver can help you reduce assembly time.

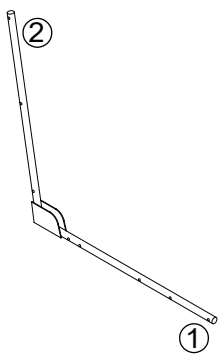
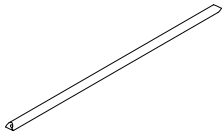
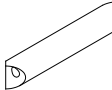
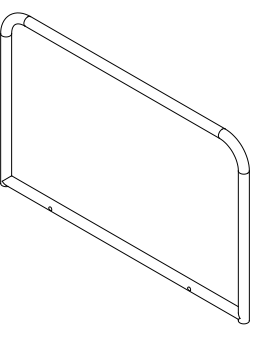
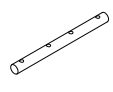
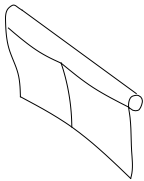
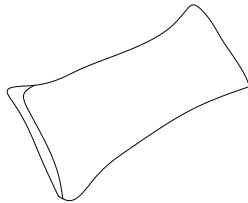
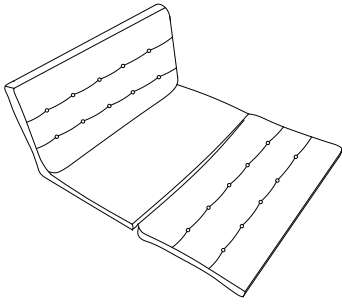
If you have any questions about the **Folding Double Sofa Bed**, please feel free to contact us.

EXPLODED VIEWS

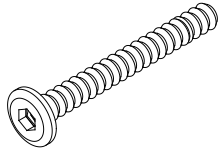

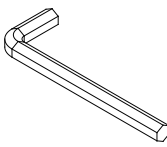


PART LIST

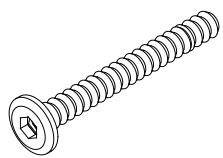
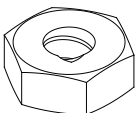
Part List

<p>(L001)</p>  <p>Folding Support Rod</p>	<p>(L003)</p>  <p>Left and right connecting Rod</p>	<p>(L004)</p>  <p>Armrest Connecting rod</p>	<p>(L005)</p>  <p>Armrest Frame</p>
2PCS	12PCS	4PCS	2PCS
<p>(L006)</p>  <p>Central connecting Rod</p>	<p>(L007)</p>  <p>Armrest Storage Pouch</p>	<p>(L008)</p>  <p>Lumbar Cushion</p>	<p>(L009)</p>  <p>Double-seat Cushion</p>
6PCS	2PCS	2PCS	1PC

Screw Set

<p>(A)</p> 	<p>(B)</p> 	<p>(C)</p> 
44PCS	24PCS	1PC

Extra (Screw Set)

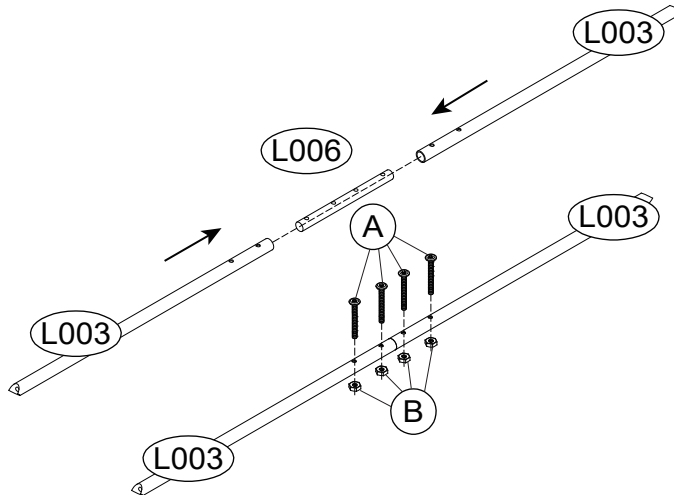
<p>(A)</p> 	<p>(B)</p> 
5PCS	3PCS

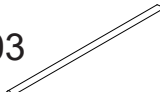
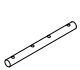

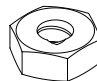
How To Assemble The Folding Double Sofa Bed

STEP 01: As shown in the diagram, insert the central connecting rod (L006) into the left and right connecting rods (L003) to form a single extended support rod. Secure these three components together using screws and nuts.

NOTE: Please tighten all screws.

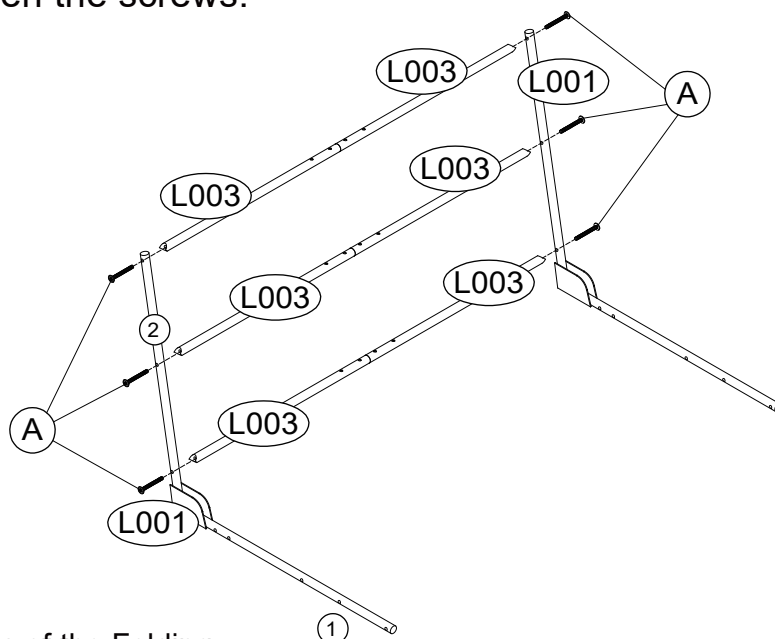
x6



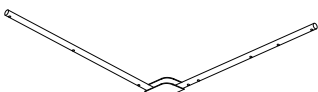

L003		x12	L006		x6	A		x24	B		x24
------	---	-----	------	---	----	---	--	-----	---	---	-----

STEP 02: Secure the backrest section by connecting the long support rod assembled in the first step to the folding support rod (L001) using screws.

NOTE: Do not fully tighten the screws.



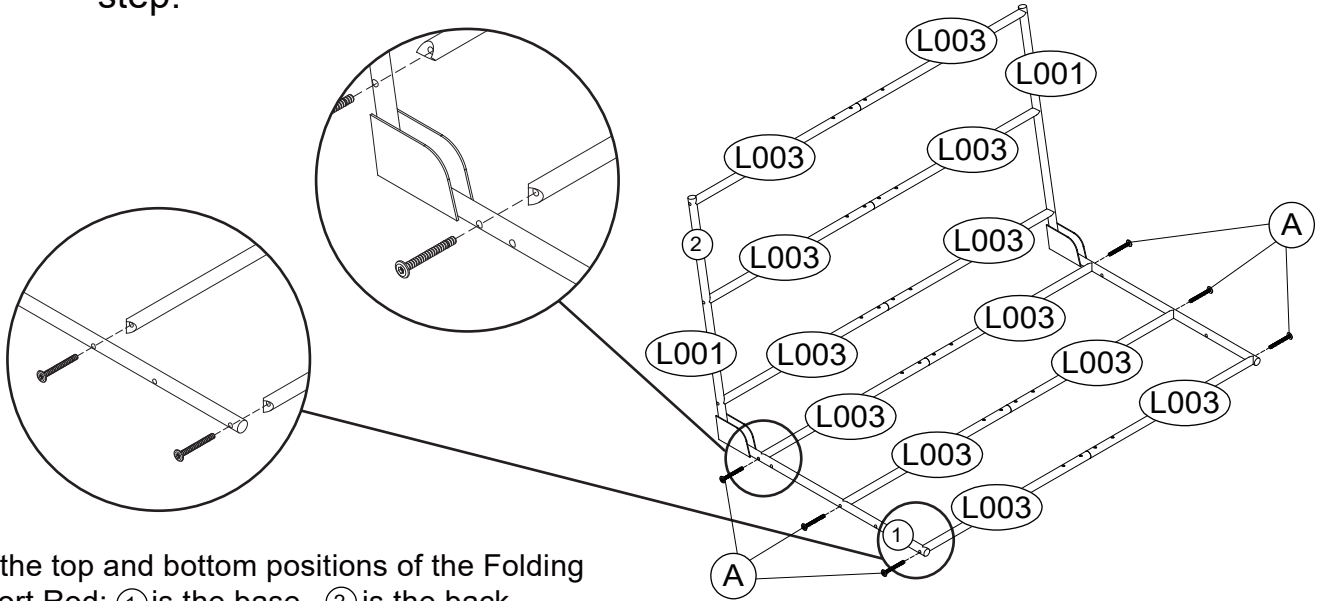
Note the top and bottom positions of the Folding Support Rod: ① is the base, ② is the back.

L001		x2	A		x6
------	---	----	---	---	----

Installation steps

STEP 03: Secure the seat section by connecting the long support rod assembled in the first step to the folding support rod (L001) using screws.

NOTE: During installation, do not fully tighten the screws. Only tighten all screws once all components and screws have been assembled in this step.



Note the top and bottom positions of the Folding Support Rod: ① is the base, ② is the back.

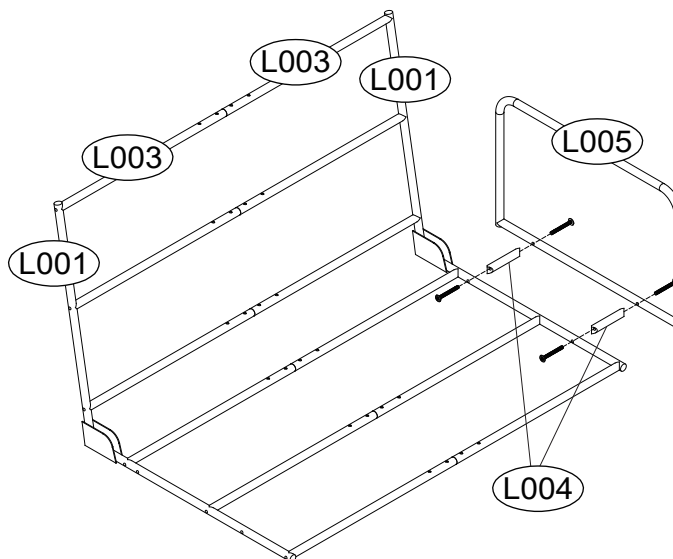
A



x6

STEP 04: Secure the Armrest Connecting Rod (L004) to both sides of the Armrest Frame (L005) and the Folding Support Rod (L001) using screws.

NOTE: During installation, do not fully tighten the screws. Only tighten all screws once all components and screws have been assembled in this step.



L004



x2

L005



x1

A

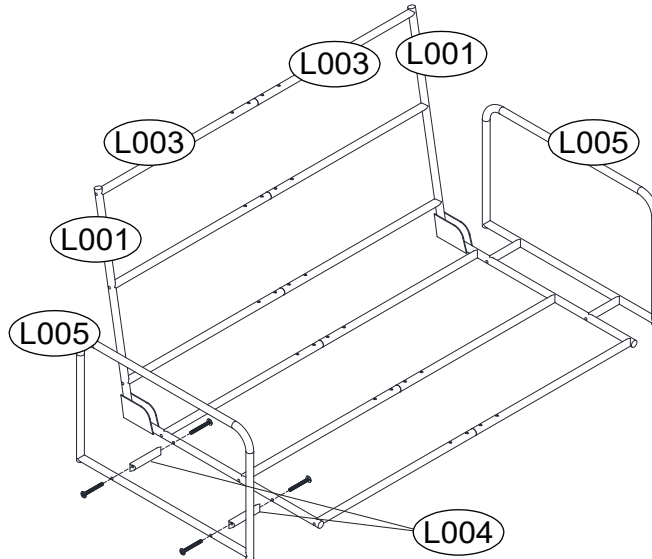


x4

Installation steps

STEP 05: Secure the Armrest Connecting Rod (L004) to both sides of the Armrest Frame (L005) and the Folding Support Rod (L001) using screws.

NOTE: During installation, do not fully tighten the screws. Only tighten all screws once all components and screws have been assembled in this step.



L004



x2

L005



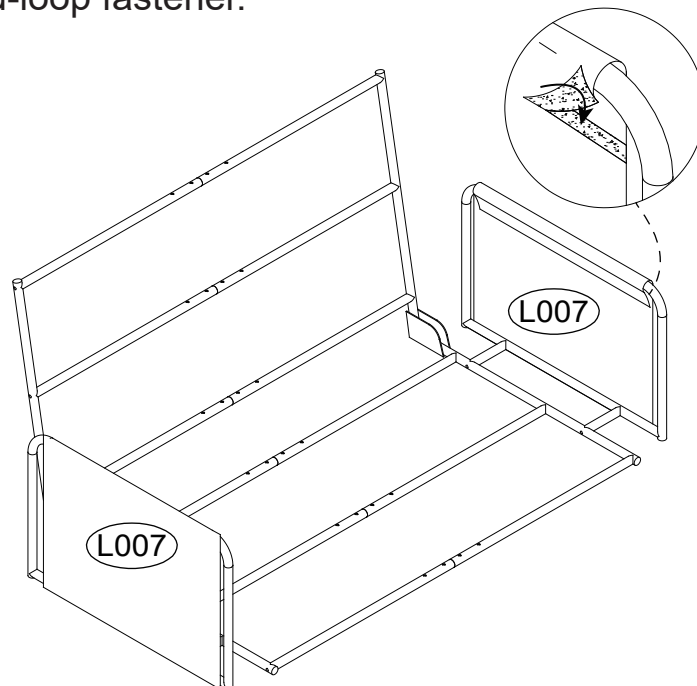
x1

A

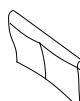


x4

STEP 06: Wrap the armrest storage pouch (L007) around the upper bar of the armrest frame (L005) as illustrated, then secure it using the integrated hook-and-loop fastener.



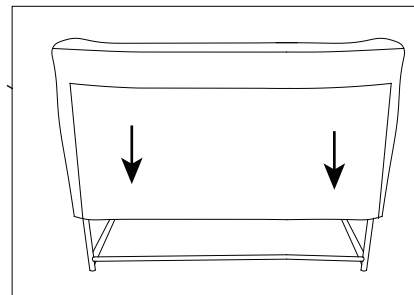
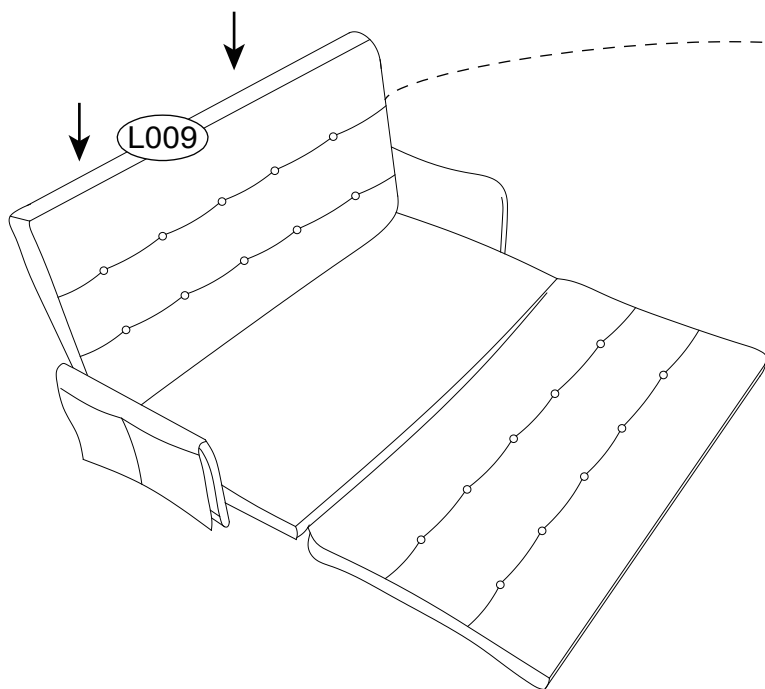
L007



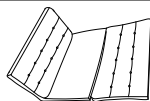
x2

Installation steps

STEP 07: Slide the Double-seat Cushion (L009) down over the backrest section of the Folding Support Rod (L001).

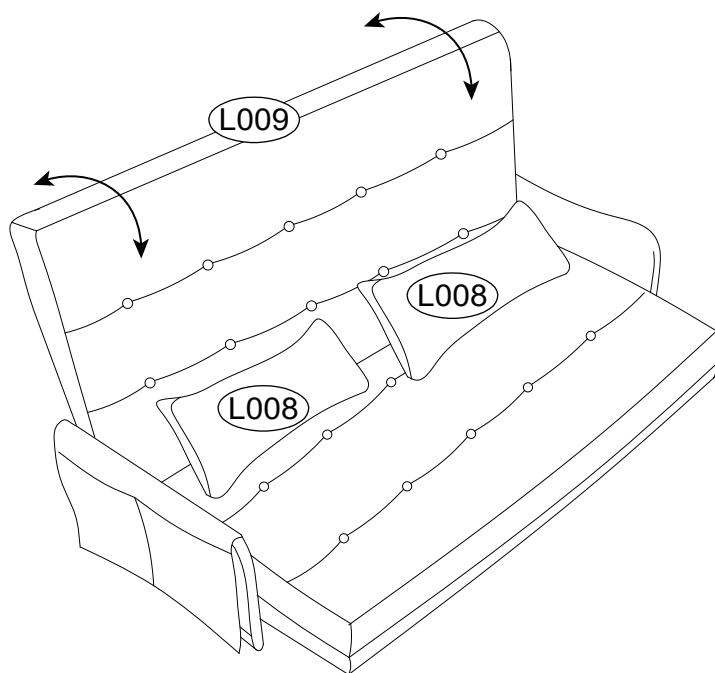


L009



x1

STEP 08:



L008



x2