

59" VANITY

Sink sold separately

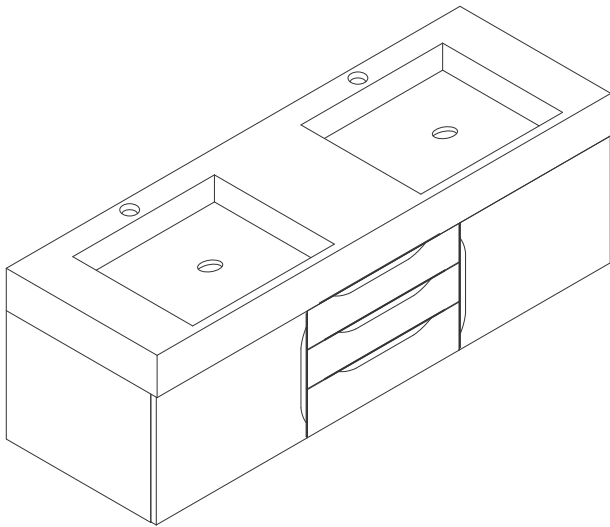
Wall Mount Dimension

Width: 58-3/4"

Depth: 19-3/8"

Height: 14-3/8"

Rough-In Height: 23-3/8"



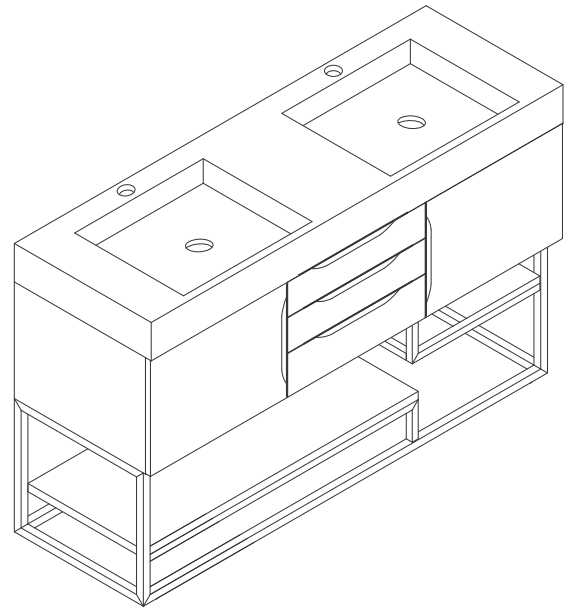
Dimension with Base

Width: 58-3/4"

Depth: 19-3/8"

Height: 31-1/8"

Rough-In Height: 23-3/8"



Features and Materials

Solids: Yellow Poplar

Metal Base Material: 304 Stainless Steel

Metal Base/Hardware Finish: Brushed Nickel/Matte Black/Radiant Gold

Hardware Finish: Brushed Nickel, Matte Black, Radiant Gold

Veneers: AGR-Engineered Ash; LTO-Red Oak

Panels: Plywood

Installation Type: Wall Mounted and Floor Mounted Available

Number of Doors: Two

Number of Drawers: Three, Full Extension, Soft Close Glides, Aluminum Laminate Drawer Liners

European Soft Close Hinges

Adjustable Levelers

USB/Power Component: YES

Cord Length: 6'6"

Bamboo Storage Tray: YES

Drawer Box Material and Construction: 12mm Plywood/English Dovetail Joinery

Number of Basins: Two, Integrated Sinktop

Sinktop Included: NO, Sold Separately

Basin Overflow: NO

Faucet Type: Single Hole Fits Drain Hole Size: 1-3/4"

Assembly Required: YES

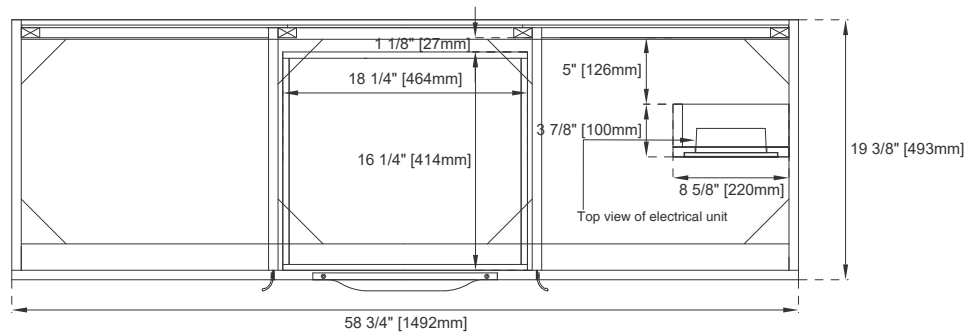
Assembly Type: Pulls require installation (ships in a separate carton)

Assembly Type: Optional base requires assembly to the vanity

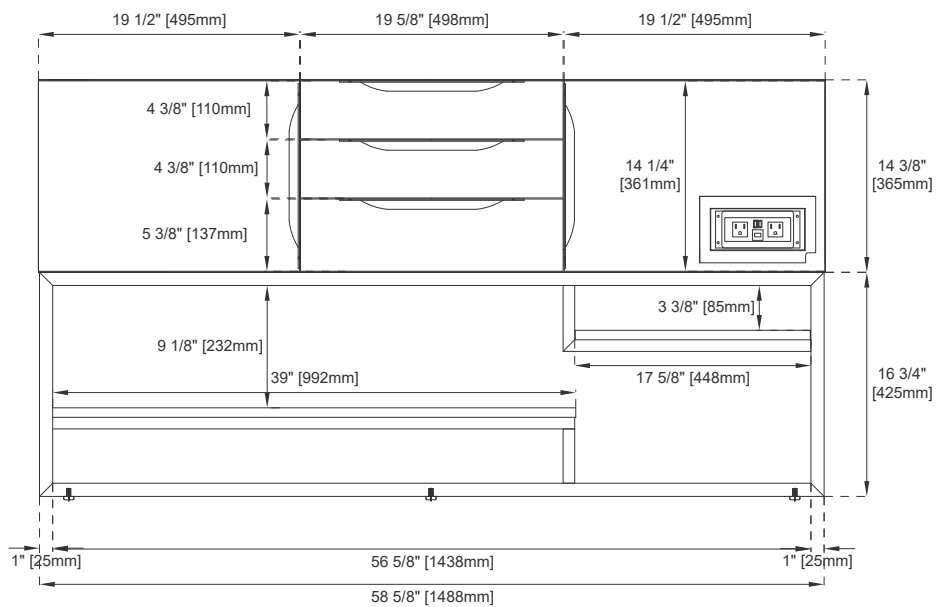
Assembly Type: Shelves for the base (ships in a separate carton)

59" VANITY

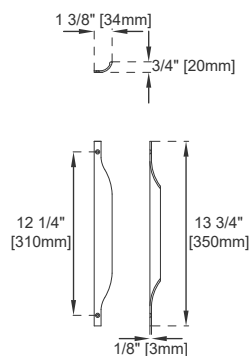
Sink sold separately



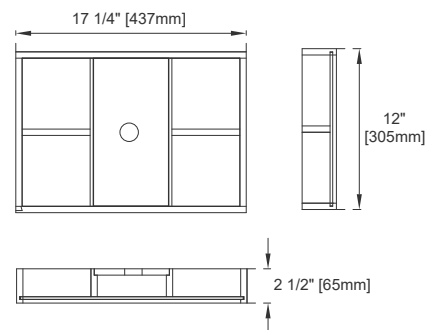
Top View



Front View



Knob

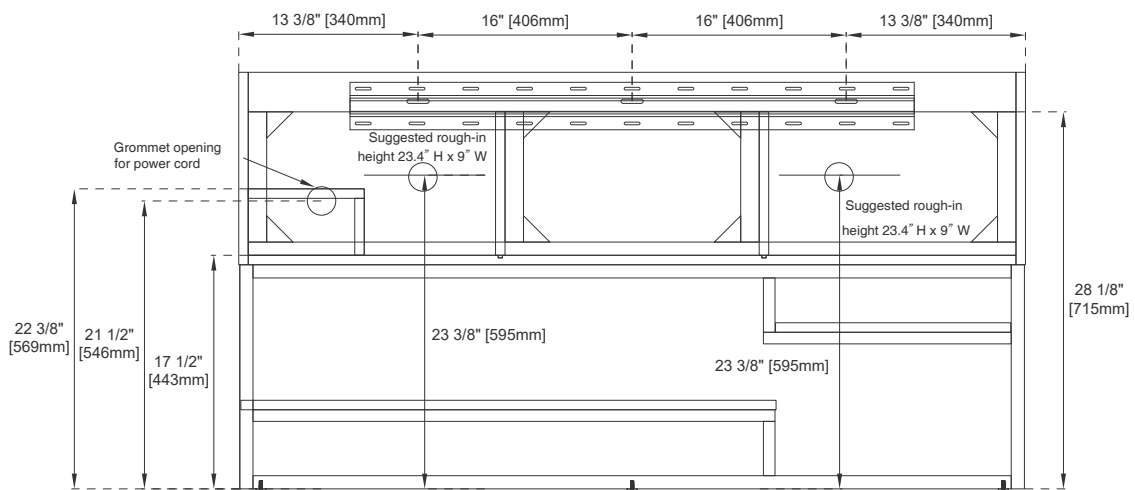
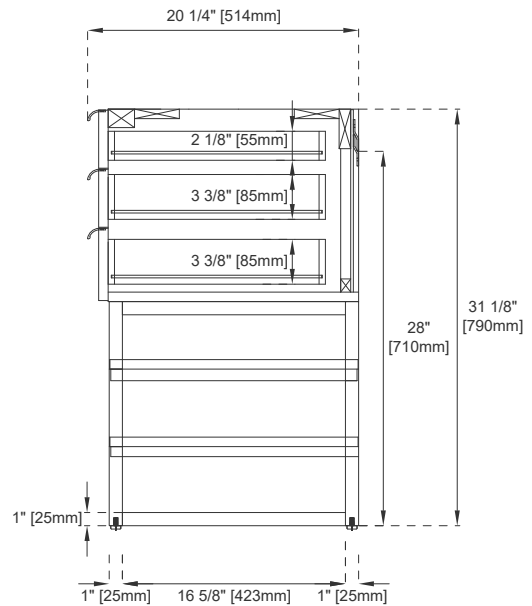
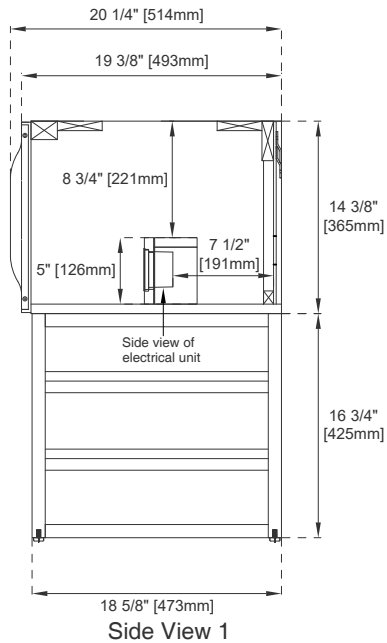


Bamboo Drawer Organizer

All dimensions are nominal
Diagrams are of cabinet and base only-James Martin Optional integrated sinktops are not shown

59" VANITY

Sink sold separately



All dimensions are nominal
Diagrams are of cabinet and base only-James Martin Optional integrated sinktops are not shown