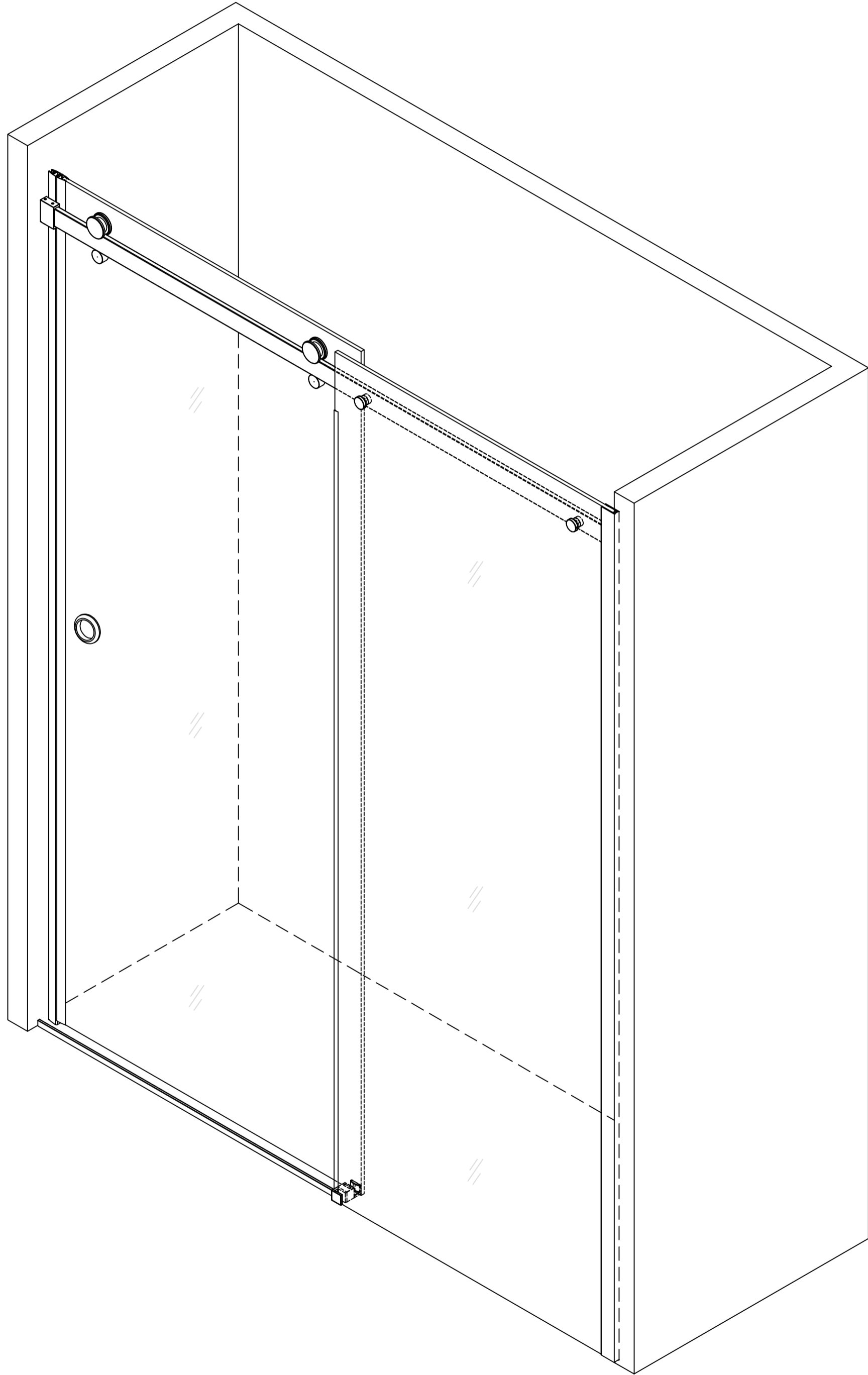
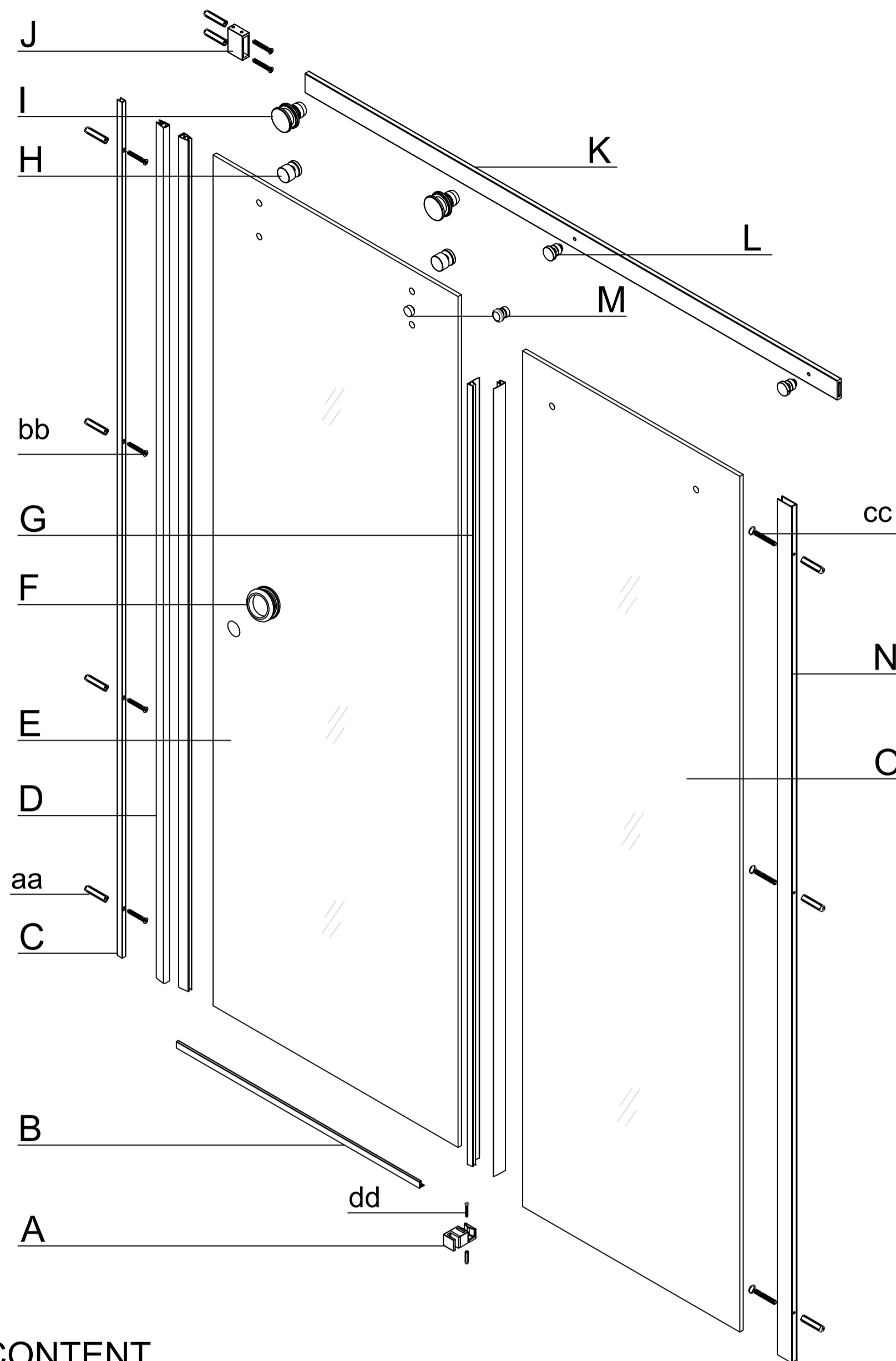


Shower Door Installation Instructions



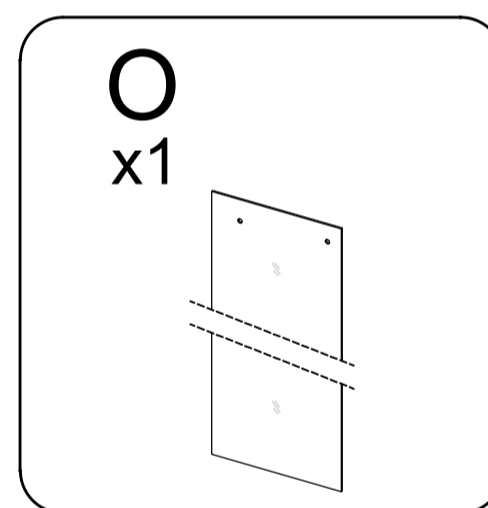
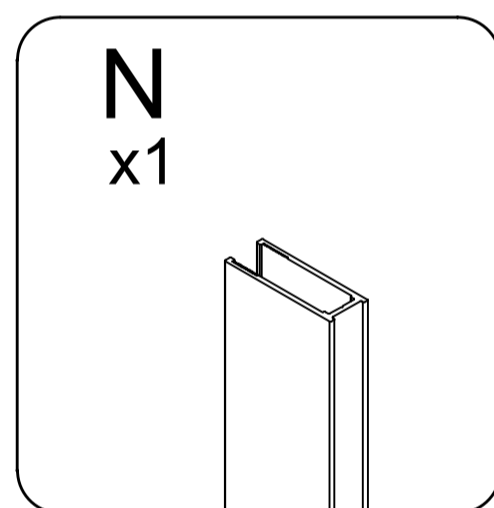
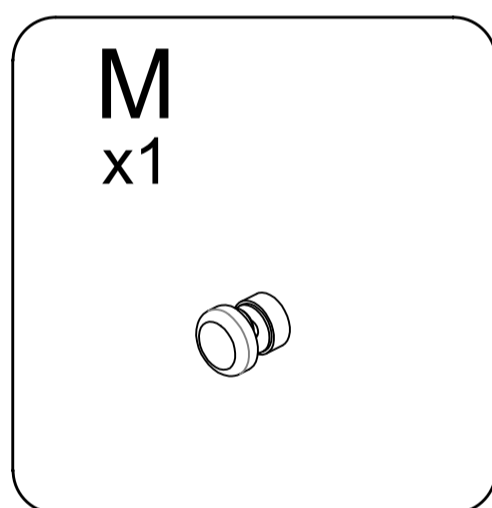
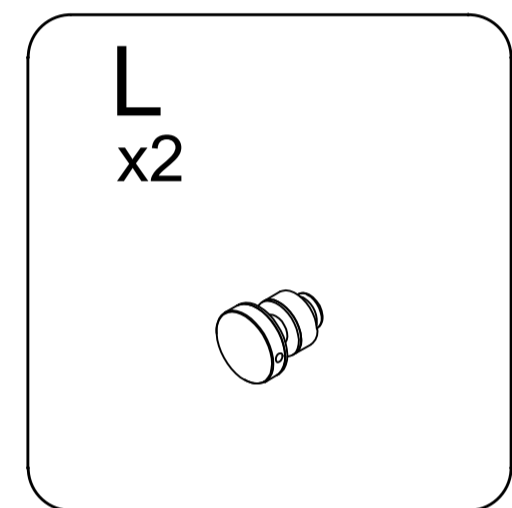
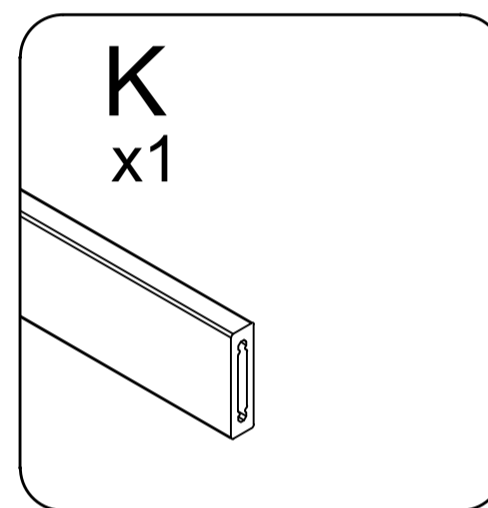
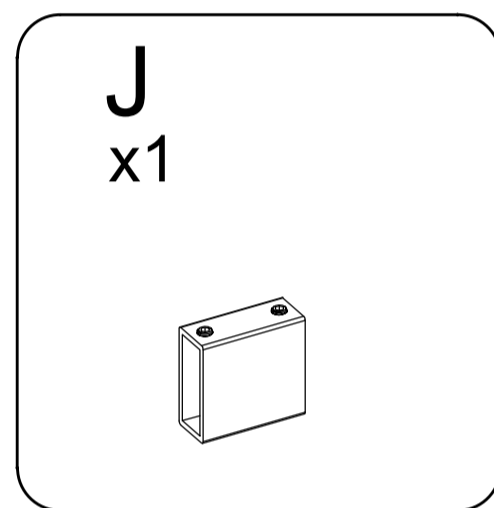
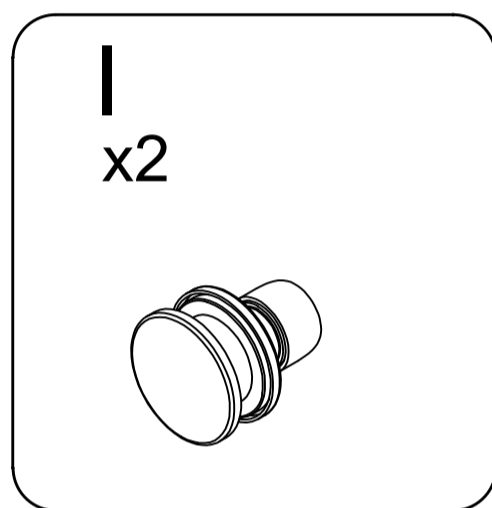
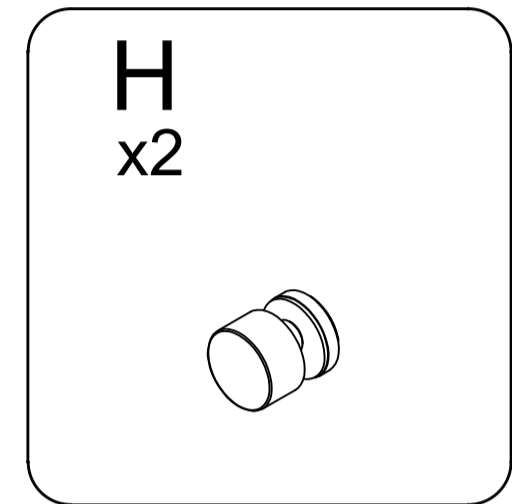
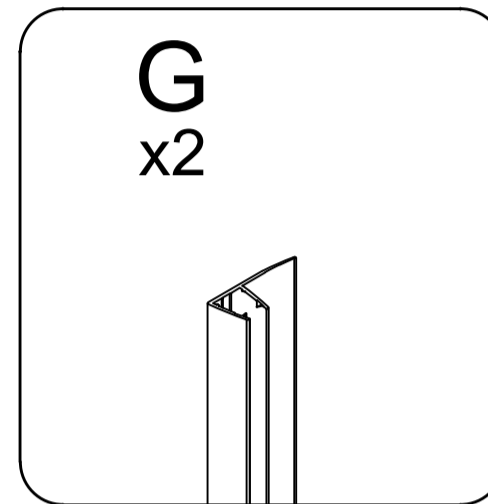
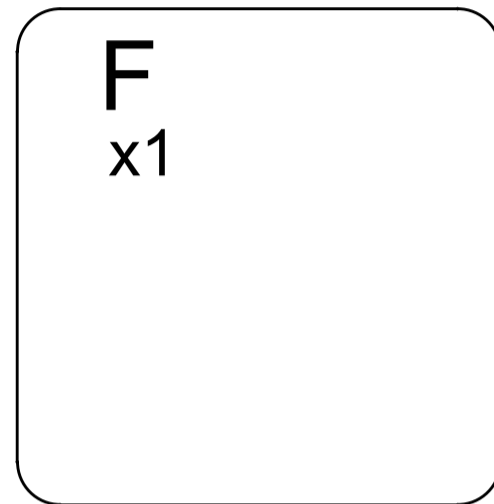
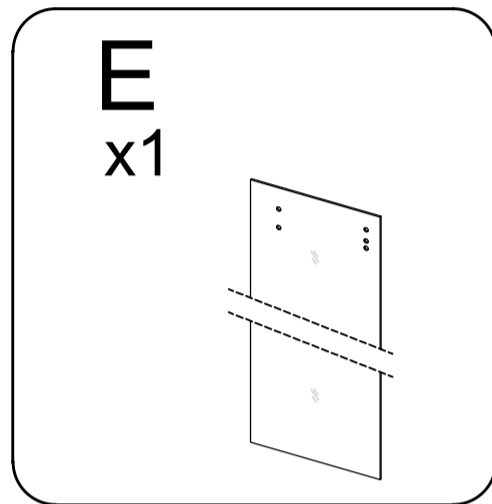
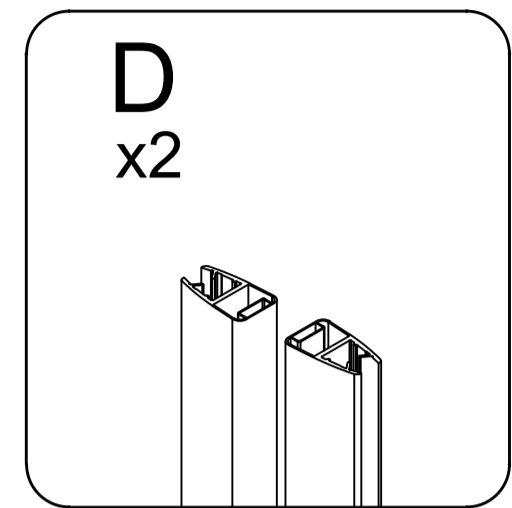
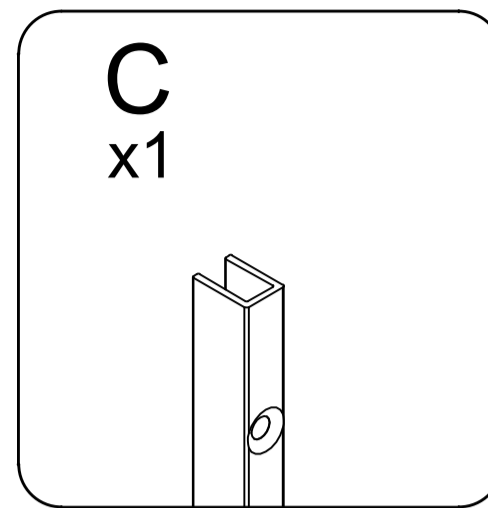
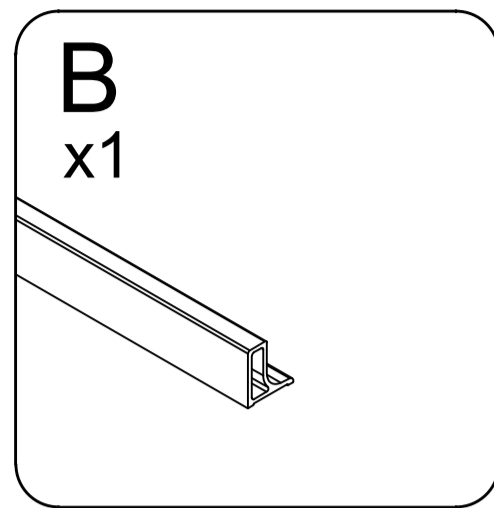
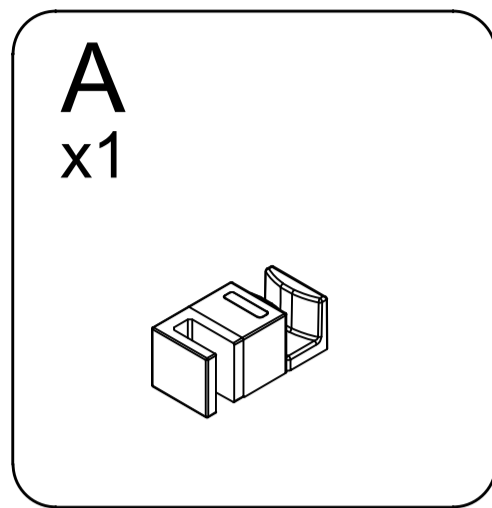
PACKAGE CONTENT



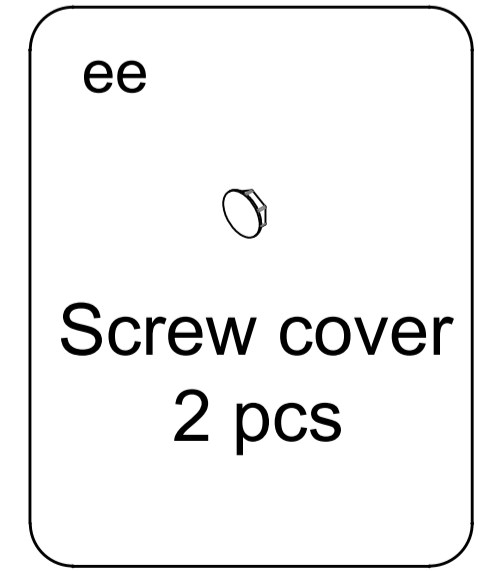
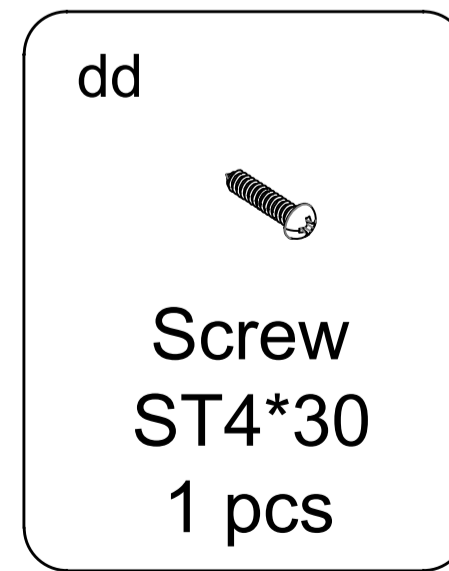
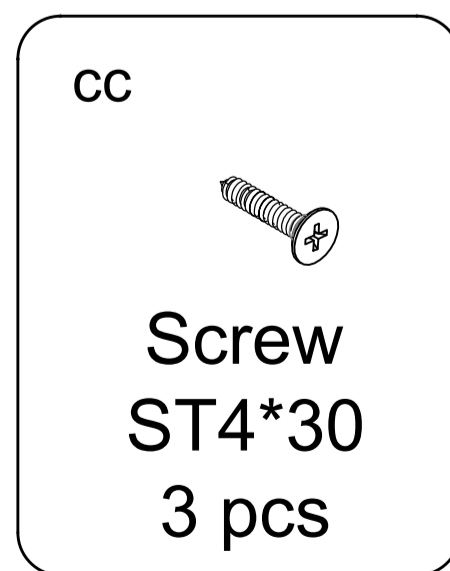
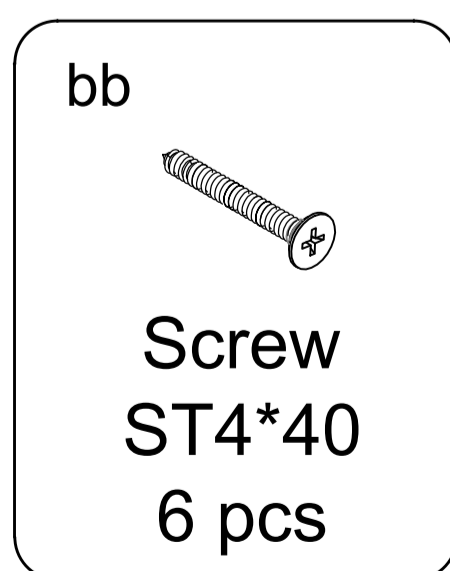
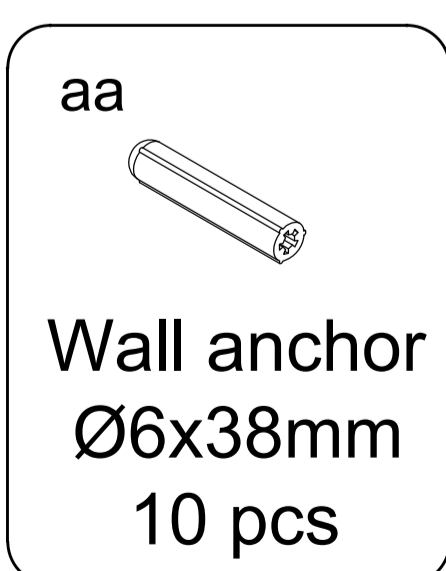
PACKAGE CONTENT

PART#	DESCRIPTION	QTY	PART#	DESCRIPTION	QTY
A	Bottom guild	1	I	Roller	2
B	Water seal	1	J	Wall Bracket Assembly	1
C	Wall Jamb	1	K	Top Track Assembly	1
D	Magnetic door seal strip	2	L	Glass holders	2
E	Door panel	1	M	Stopper	1
F	Handle	1	N	Wall Jamb	1
G	F shape seal	2	O	Fixed panel	1
H	Anti-Jump Assembly	2			

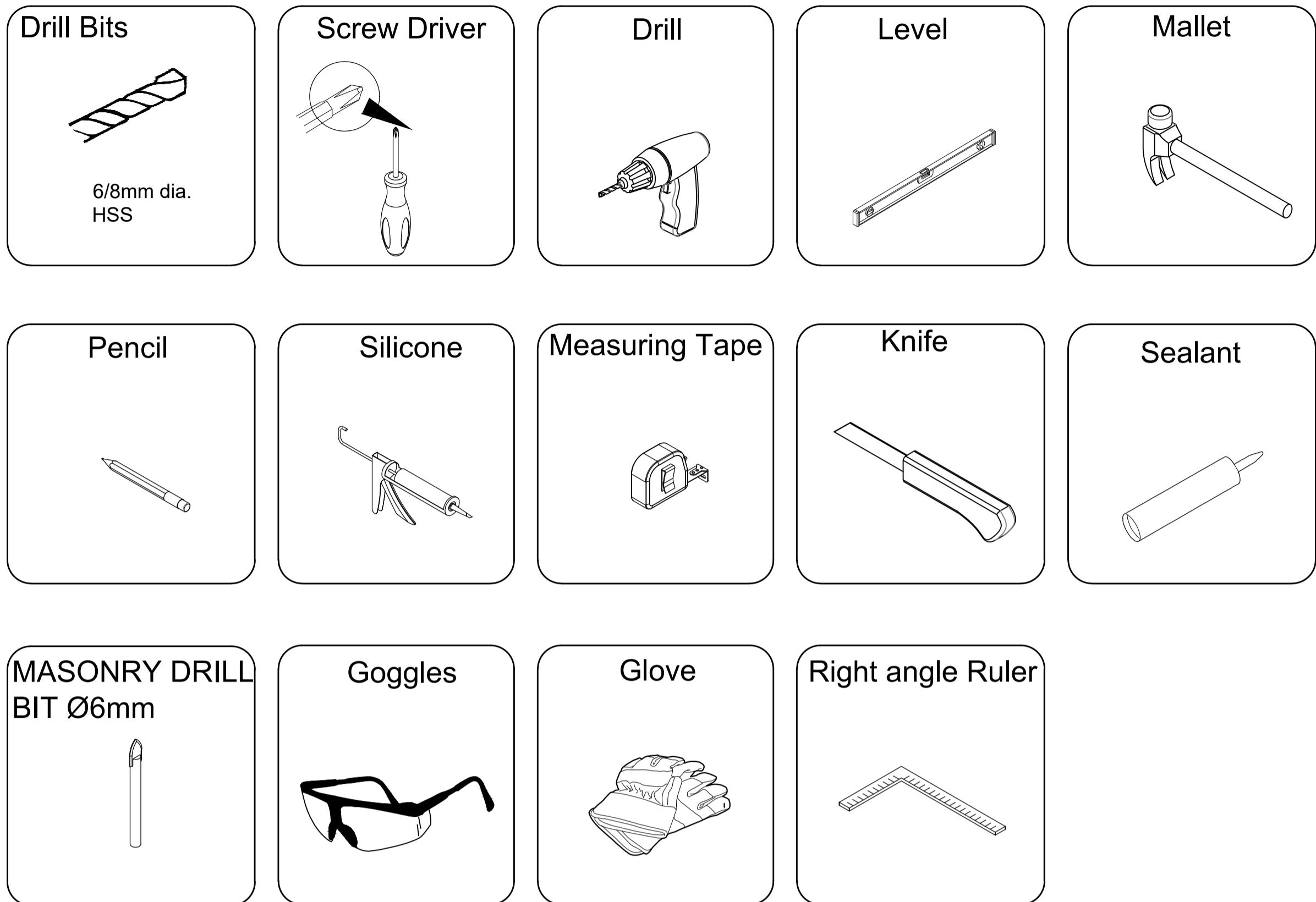
PACKAGE CONTENT



HARDWARE CONTENT



TOOLS REQUIRED



SAFETY INFORMATION

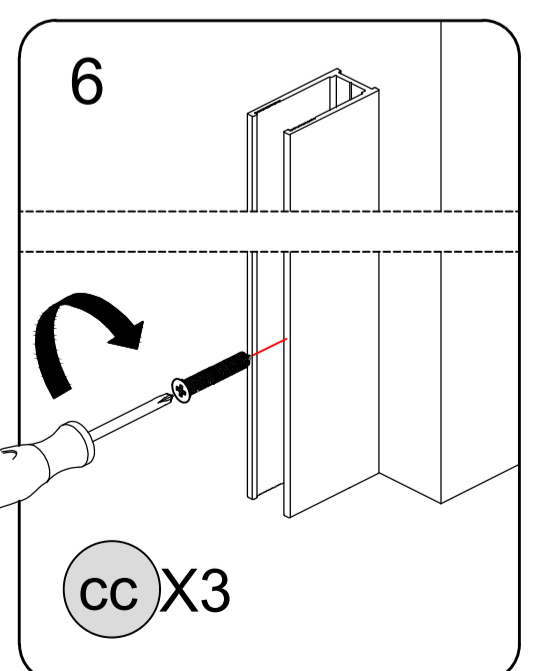
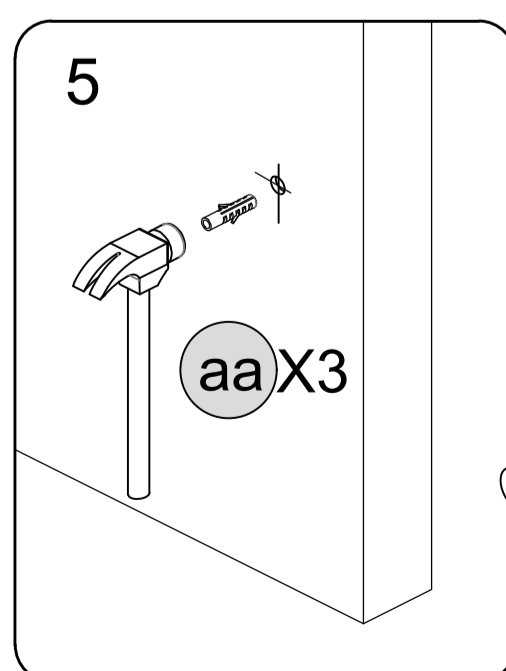
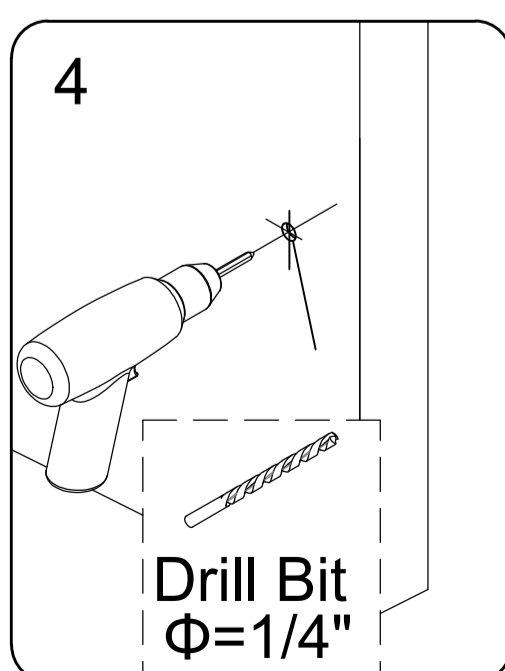
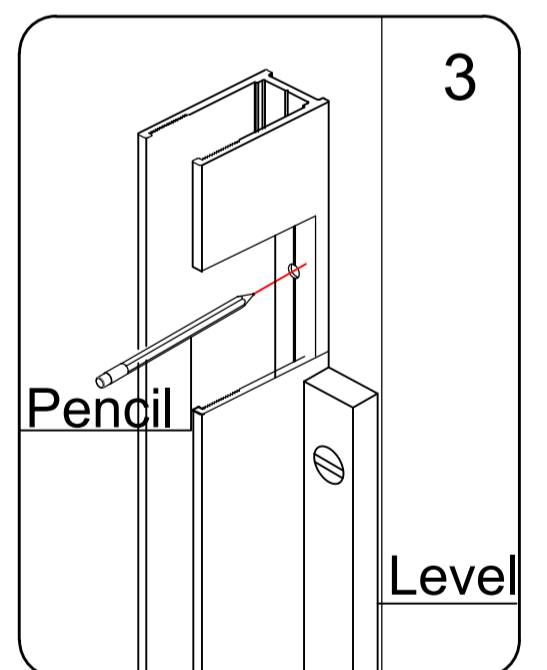
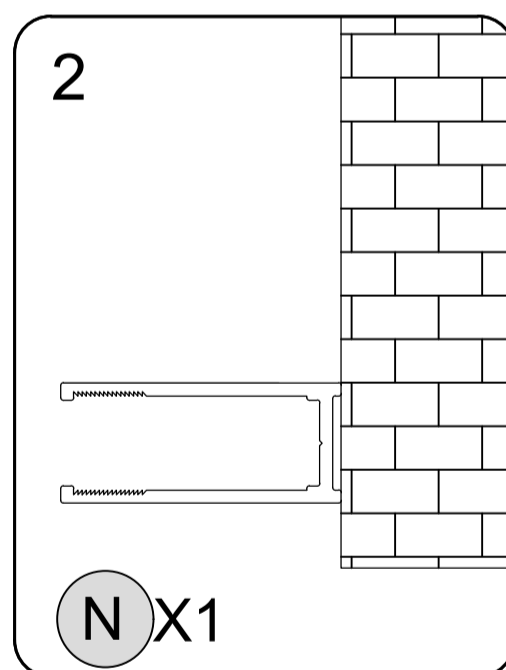
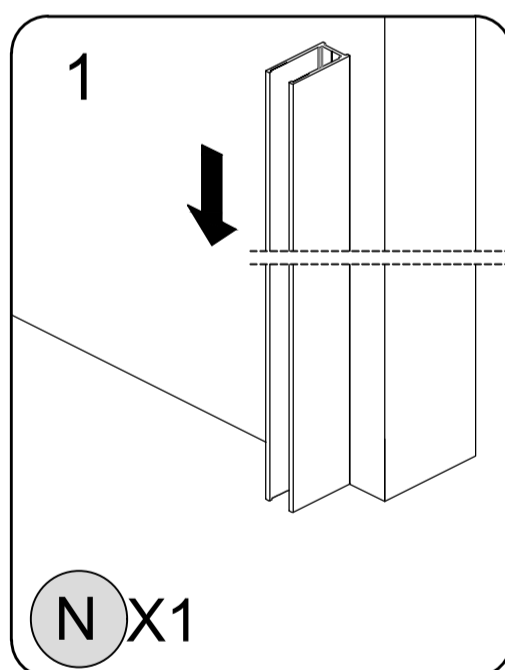
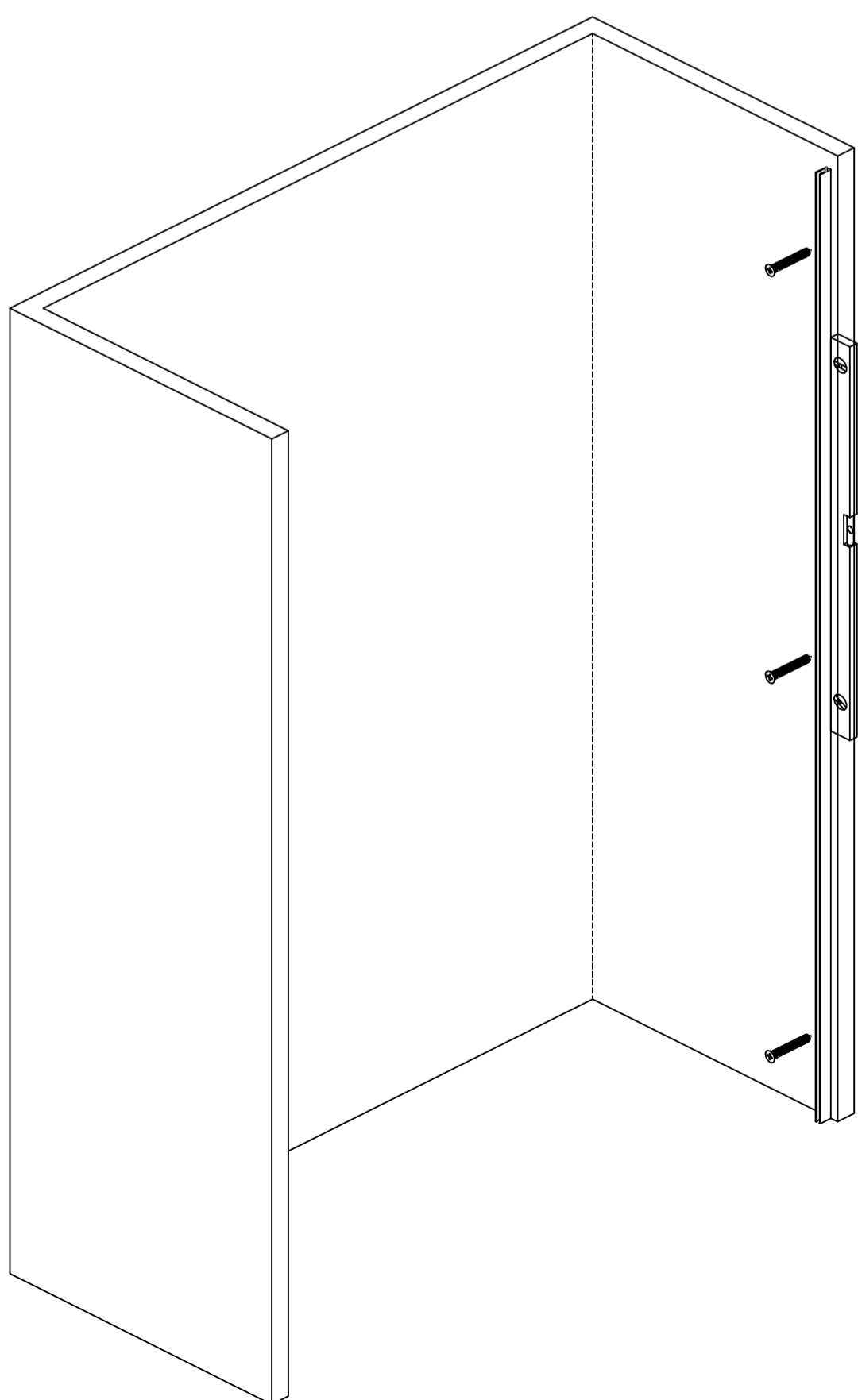
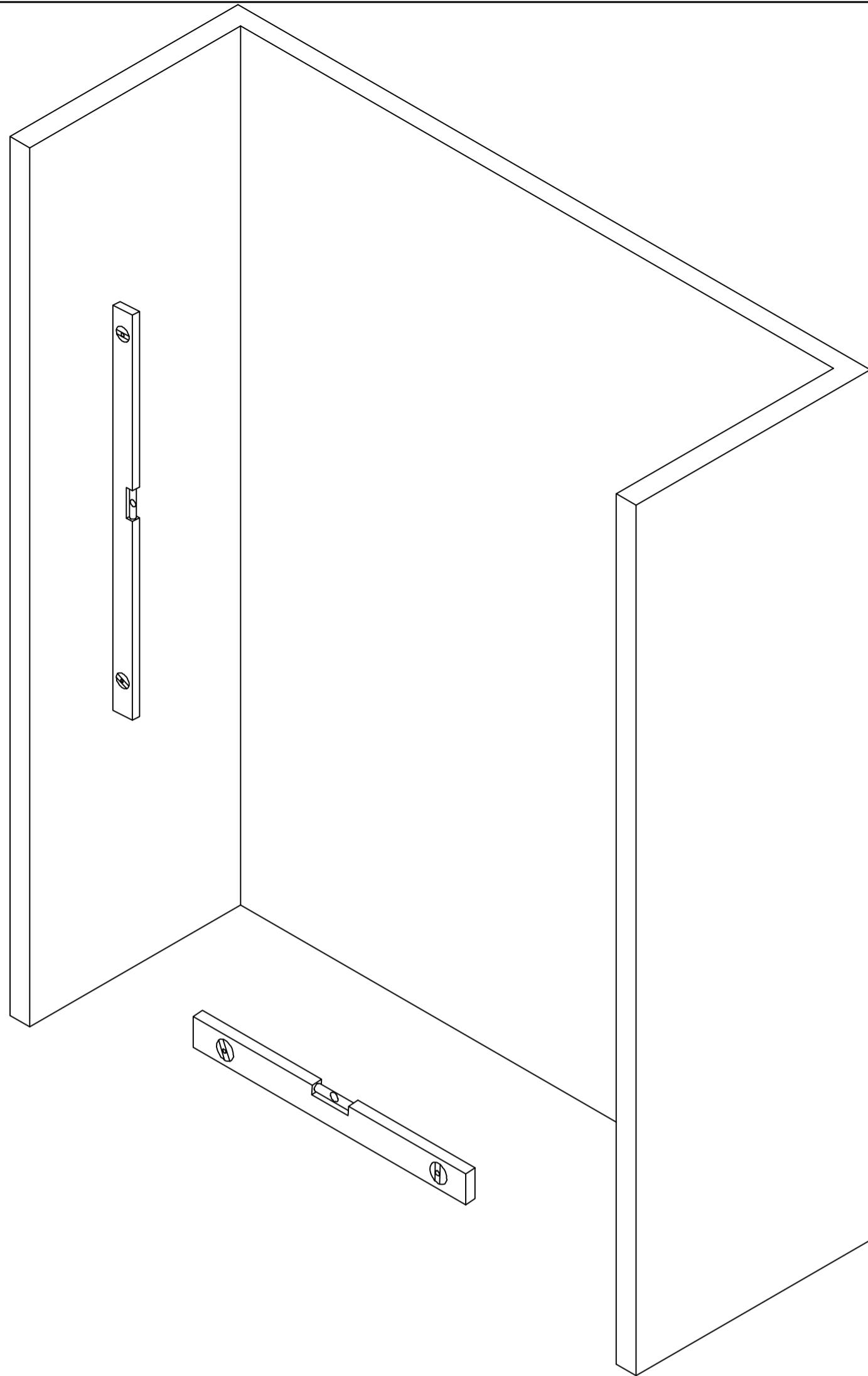
CAUTION

Please carefully read the following important safety information before handling or installing this shower. There is a risk of serious injury while handling this product. To minimize these risks, please note:

- Always wear safety glasses and gloves while handling.
- Always read and follow all the steps in the installation instructions.
- Inspect all contents and glass for damage before installation.
- Extreme caution should be taken while handling the glass during installation as the tempered glass may shatter if in contact with a hard surface.
 - Handle the tempered glass with caution! Improperly handling the glass can cause it to break suddenly in small pieces (never in pointed fragments).
 - Always take all precautions not to touch the tempered glass with any tools during the installation, or after installed.
 - Do not cut or modify the tempered glass as it will shatter if cut.
 - Carefully remove product from packaging and keep packaging until installation is complete.
 - Inspect all parts for damage; if there is damage to the unit prior to installation, please contact customer service at the number provided in this guide.
 - Install the shower on a floor that is level and able to accommodate the weight of the unit and an occupant.
 - Consult local building codes and compliance standards prior to installation and ensure conformity.
 - After installation, and from time to time, check the glass for fit and finish to ensure that nothing has come loose since installation.
 - Keep this installation manual for future reference.

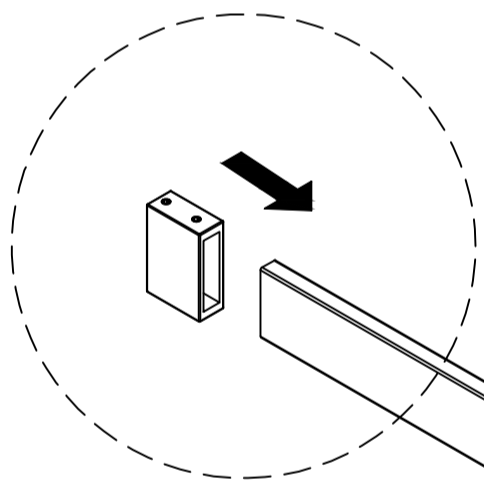
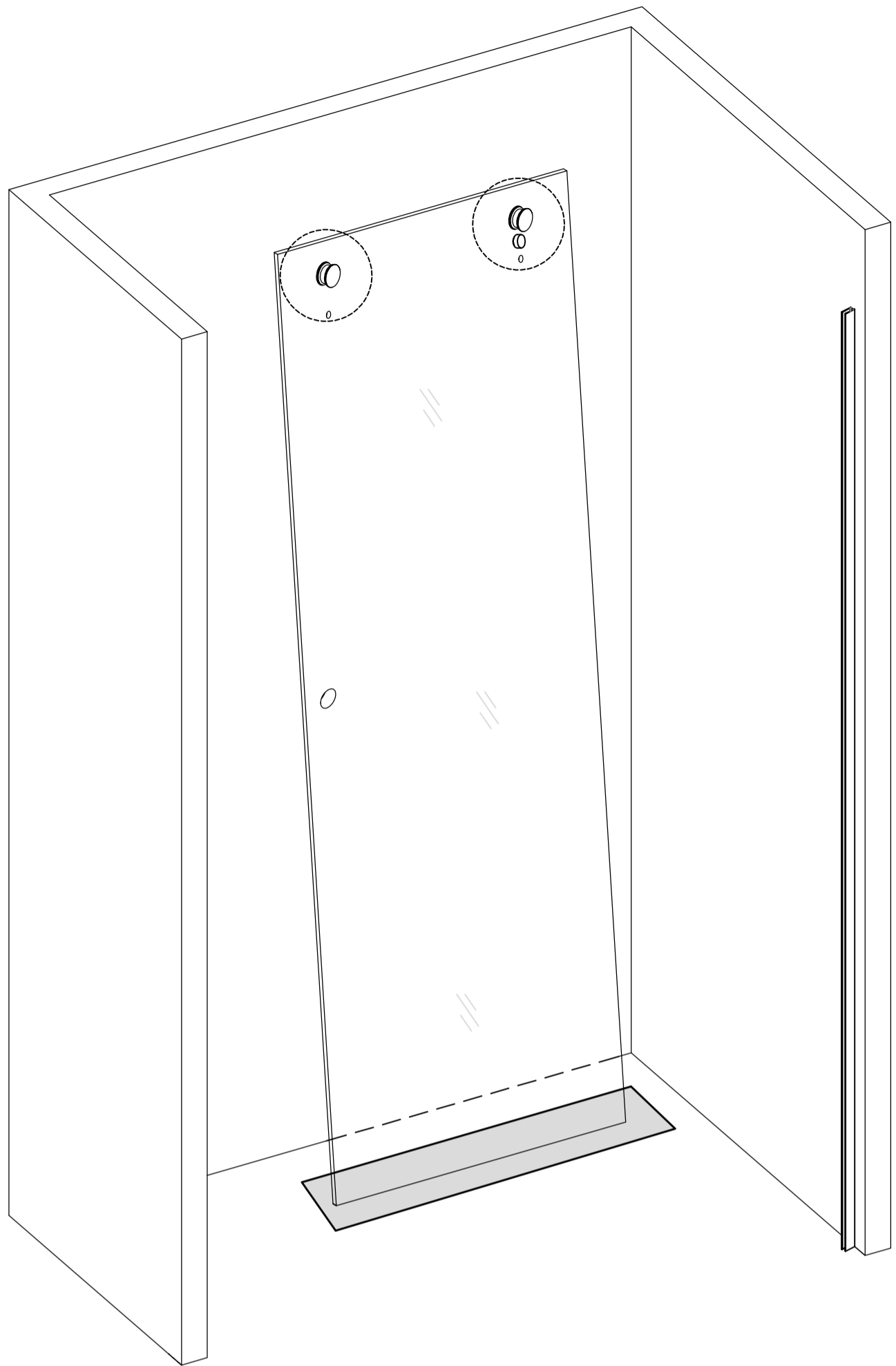
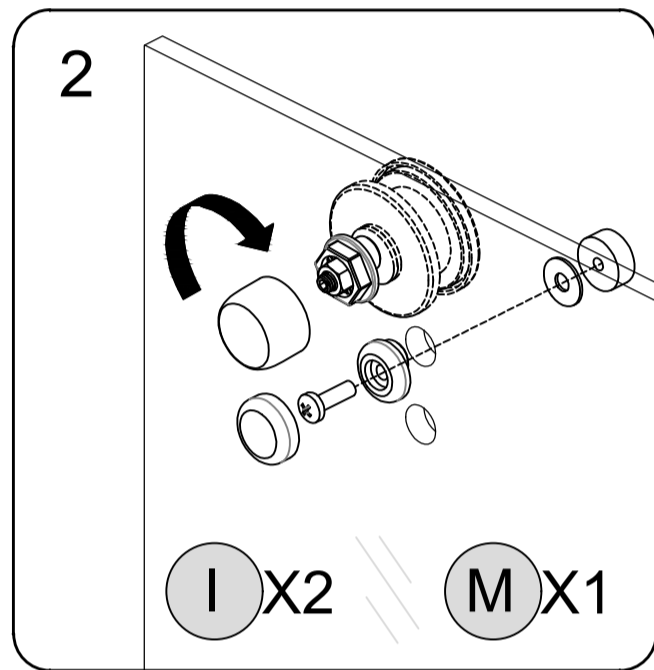
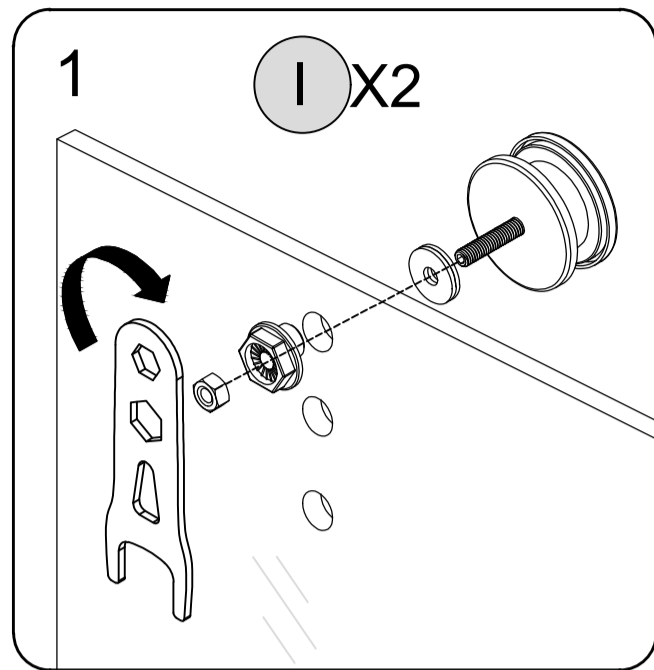
NOTE: Heavy product ! You will need at least two people to install this unit properly.

LEVEL & WALL JAMB INSTALLATION

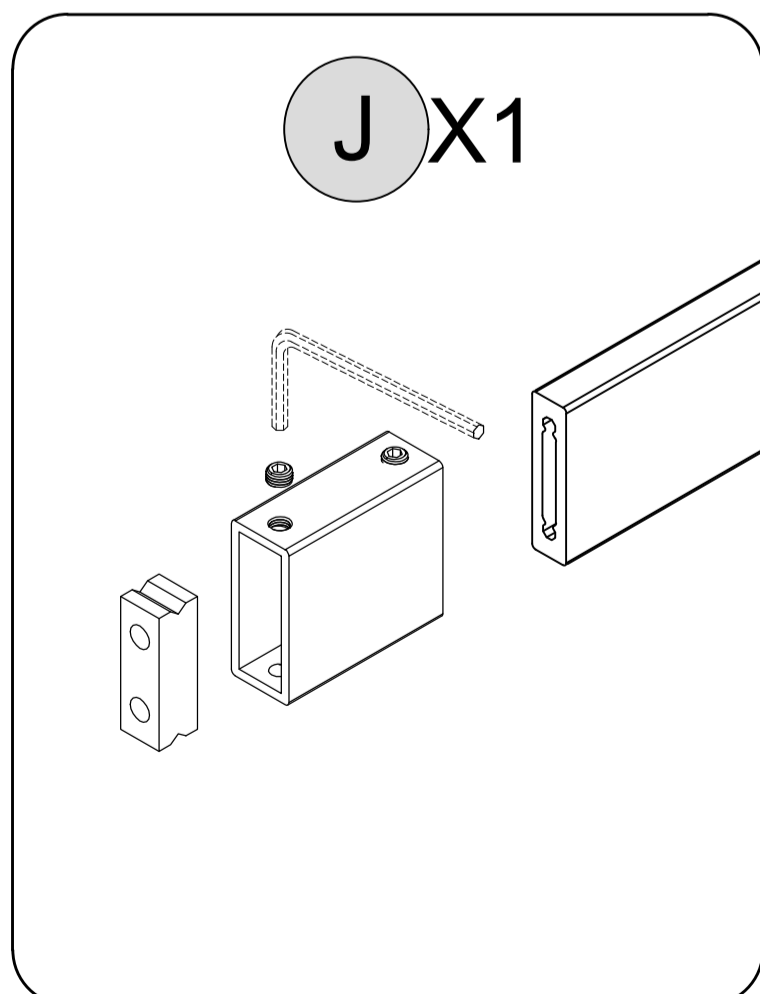


ROLLER & TOP TRACK INSTALLATION

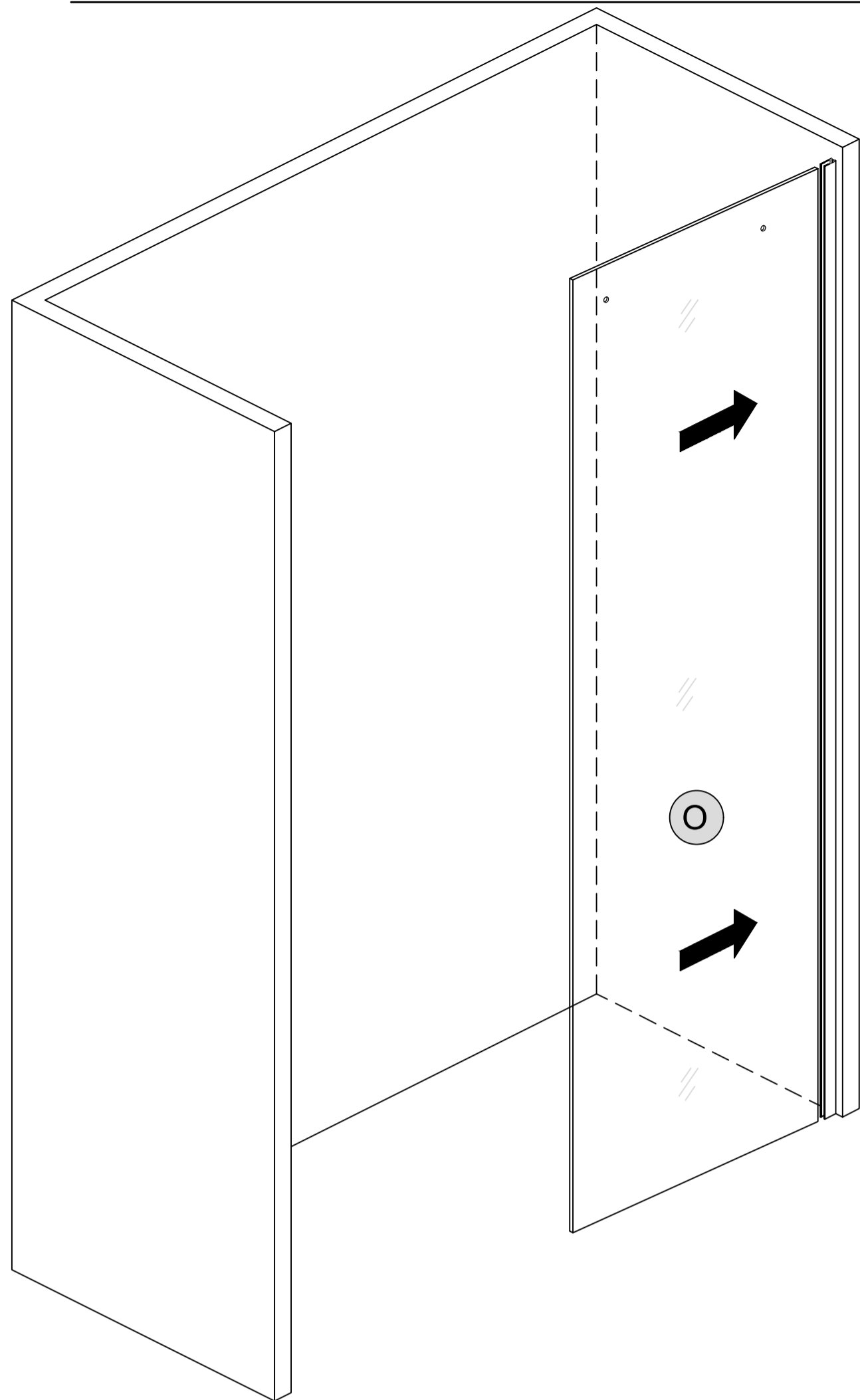
Inside View



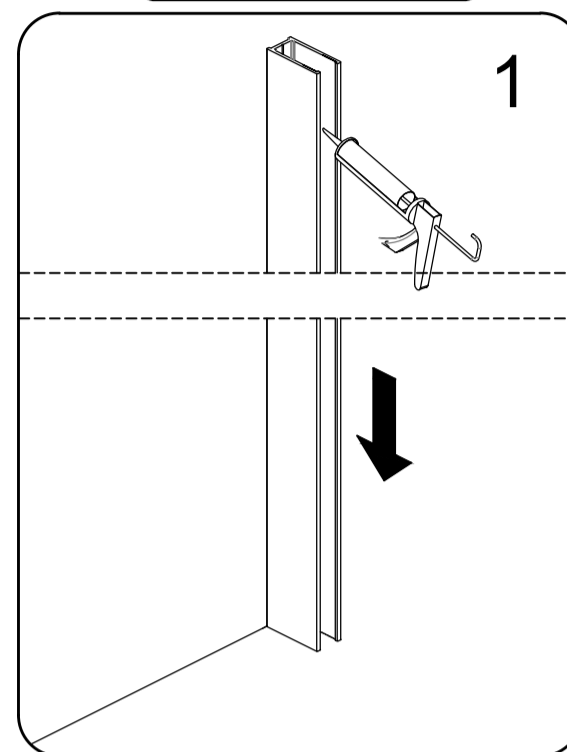
K X1



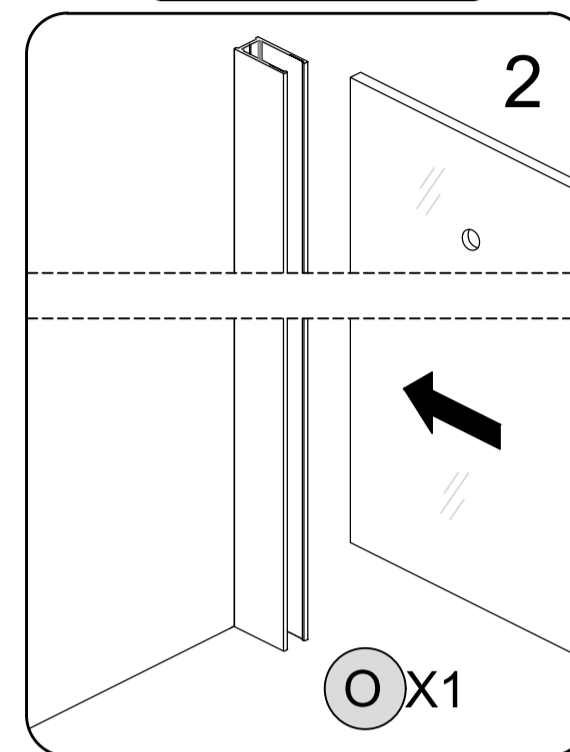
FIXED PANEL & TOP TRACK INSTALLATION



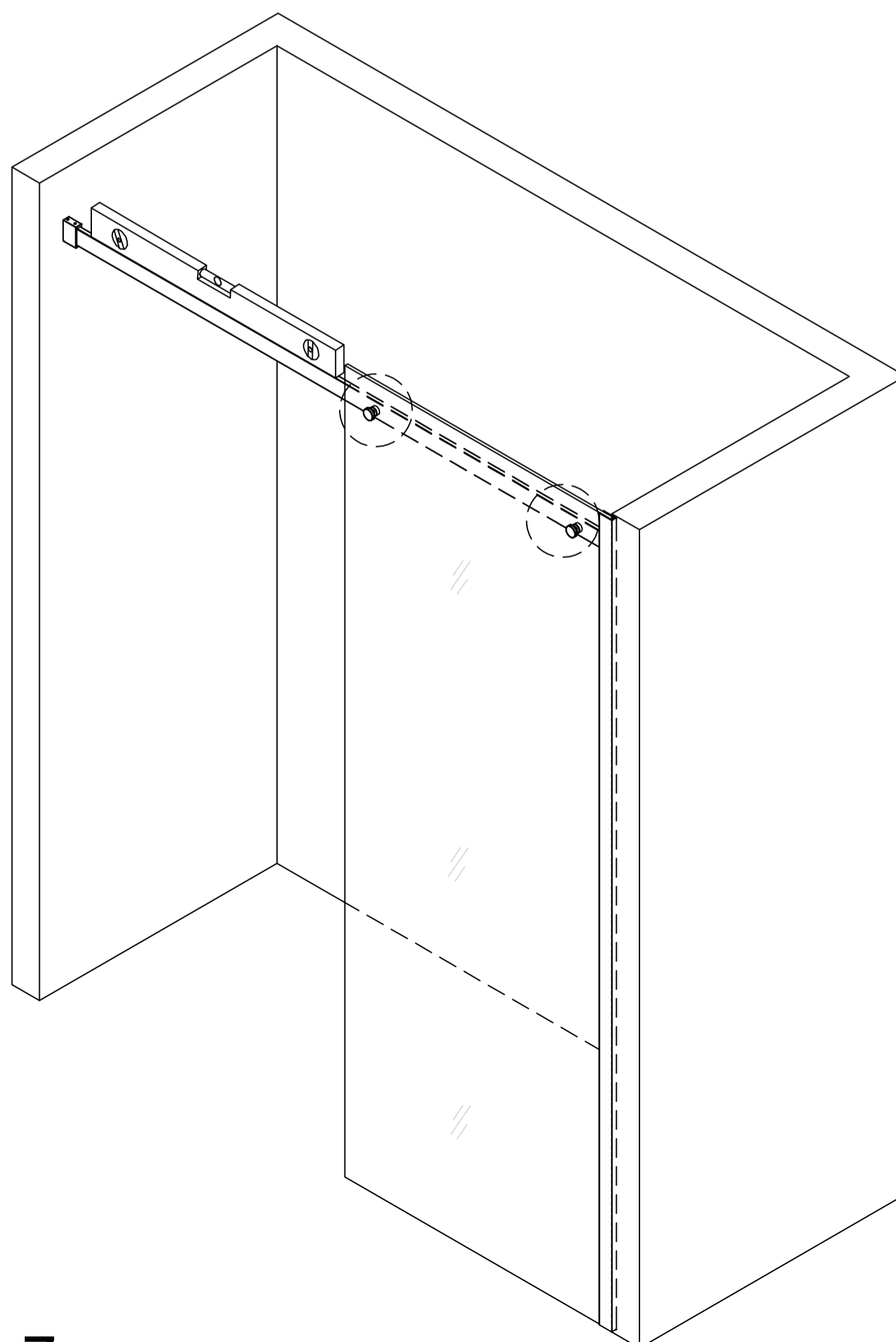
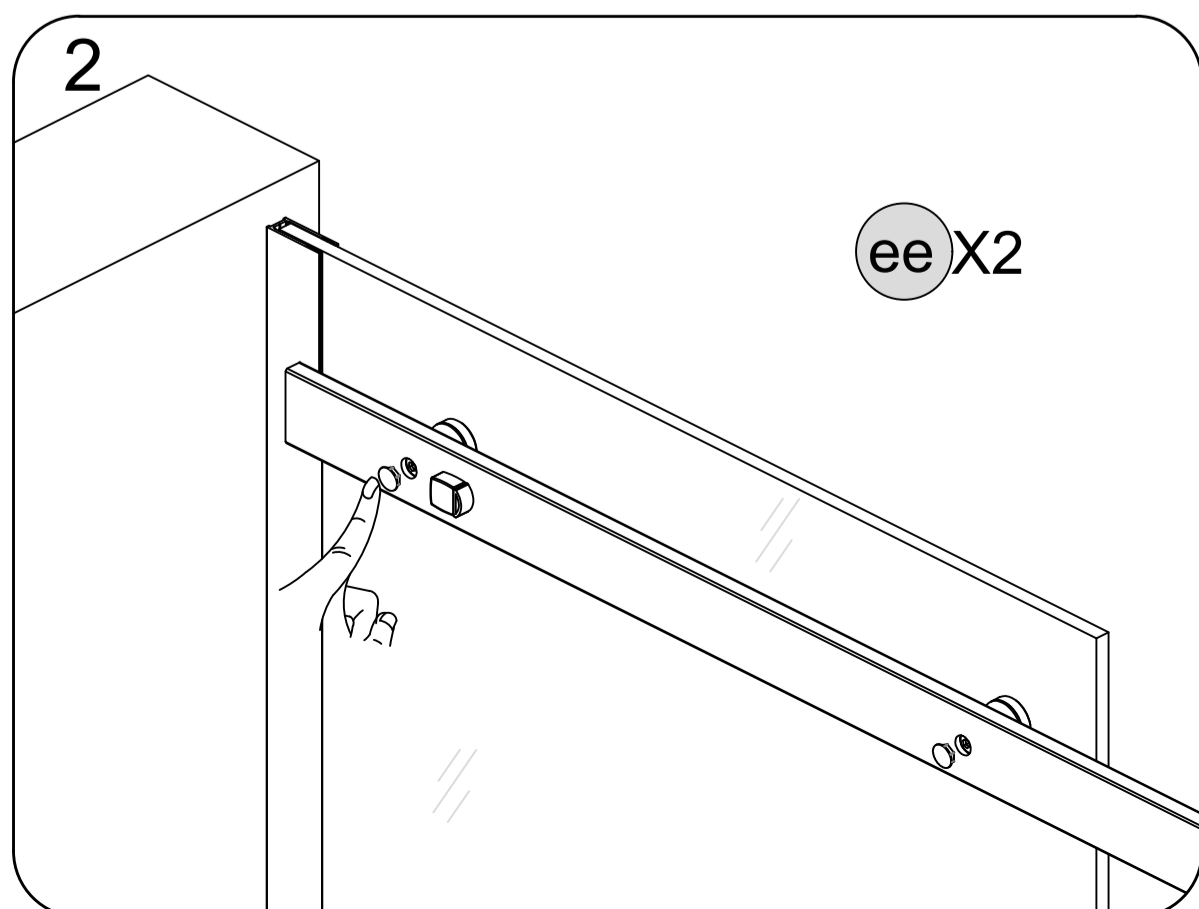
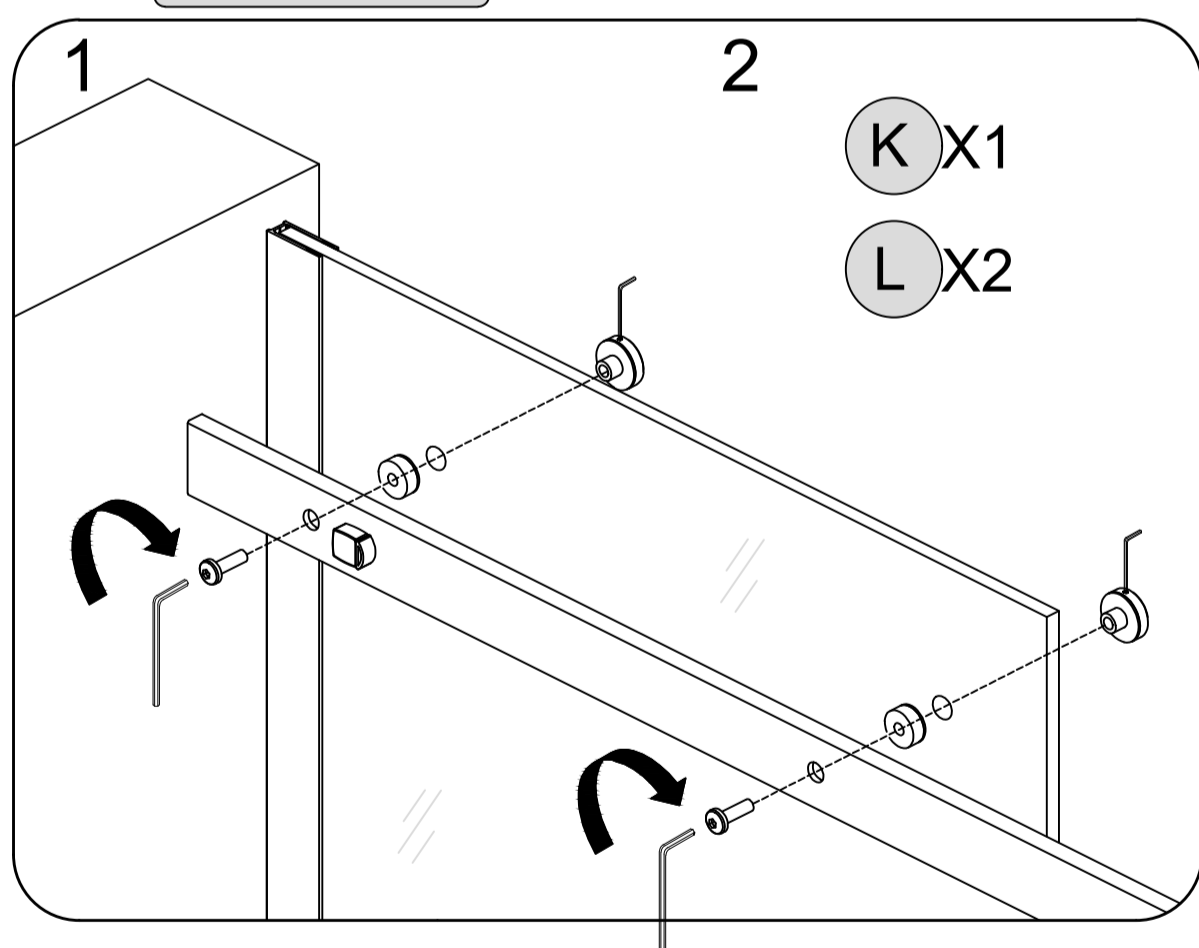
Inside View



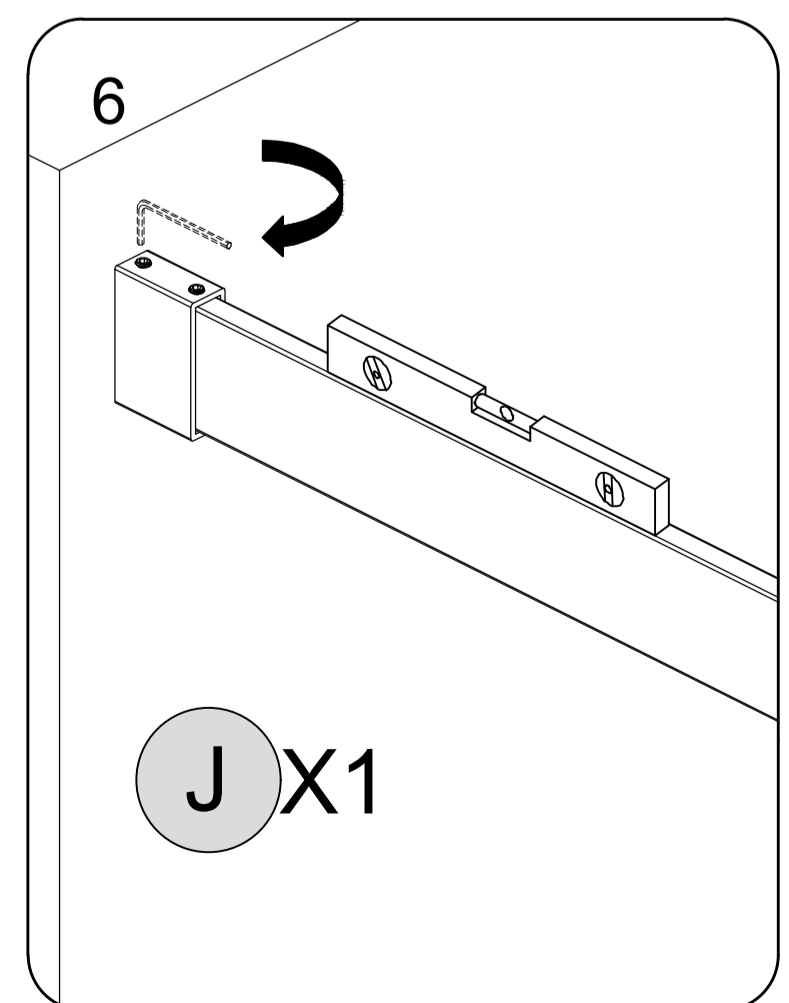
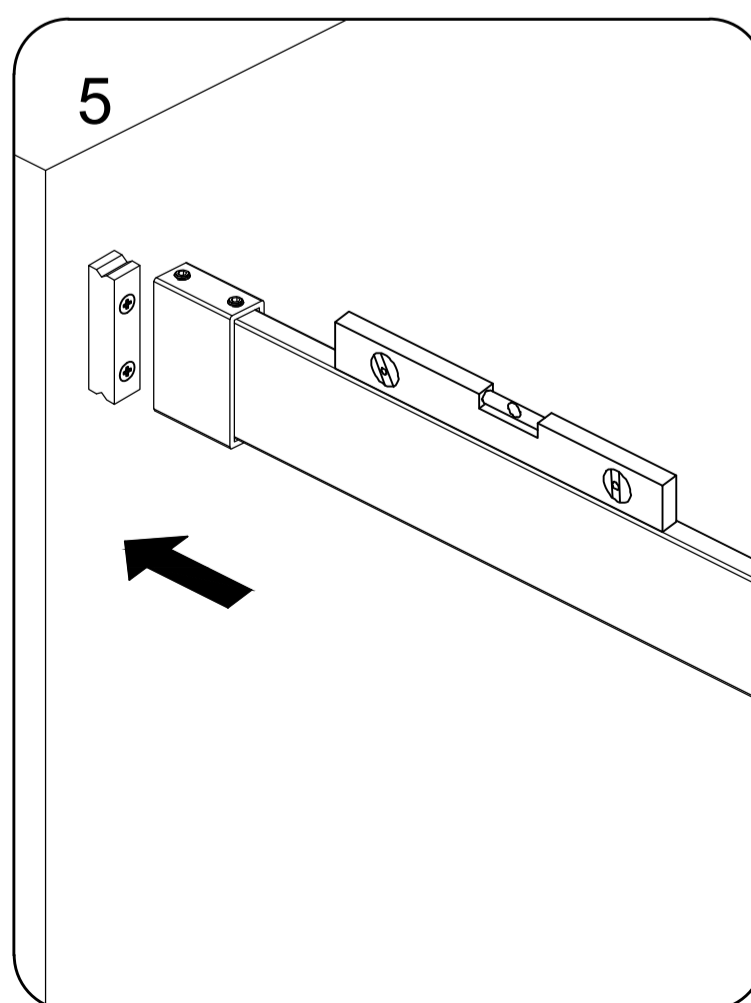
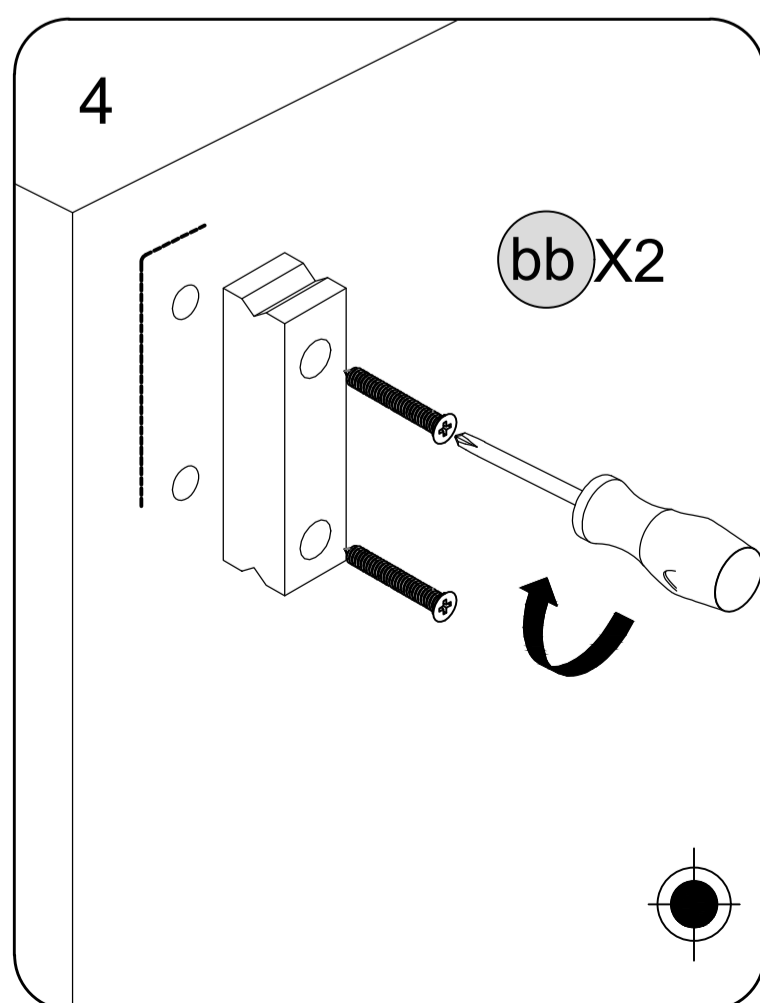
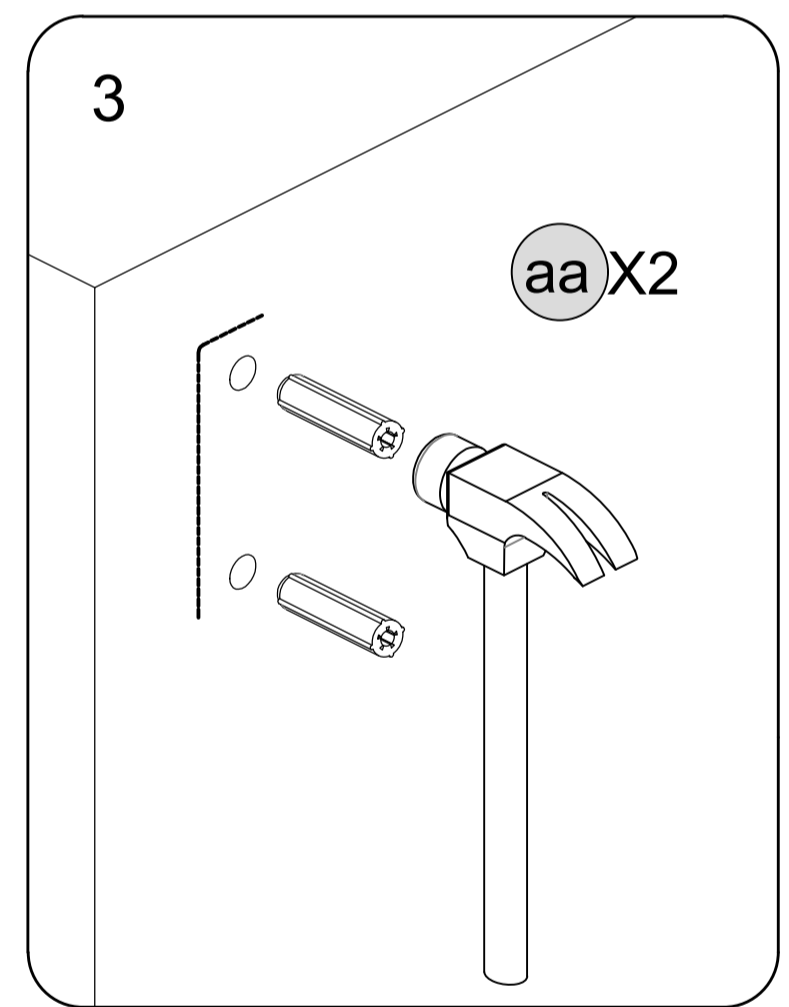
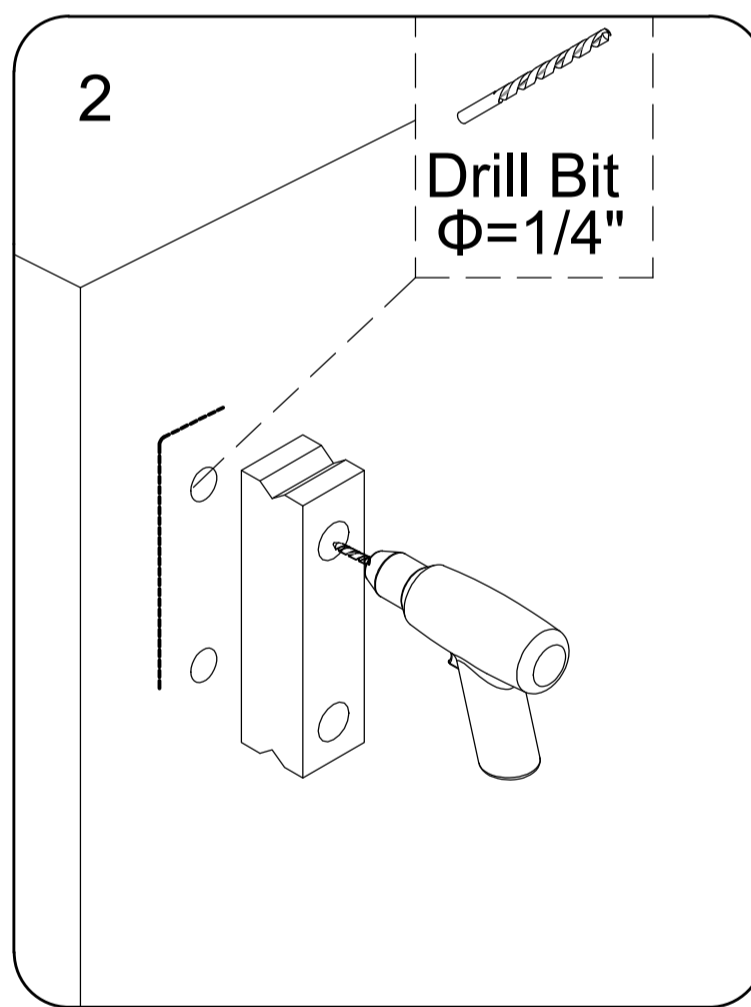
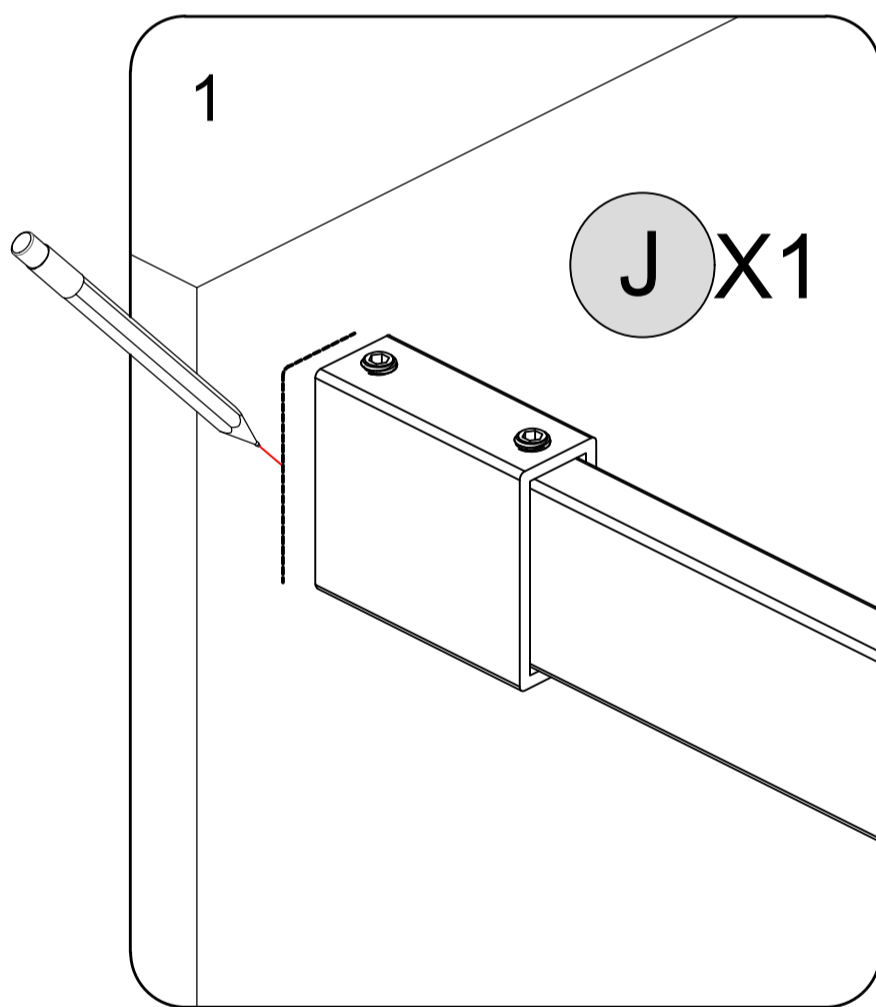
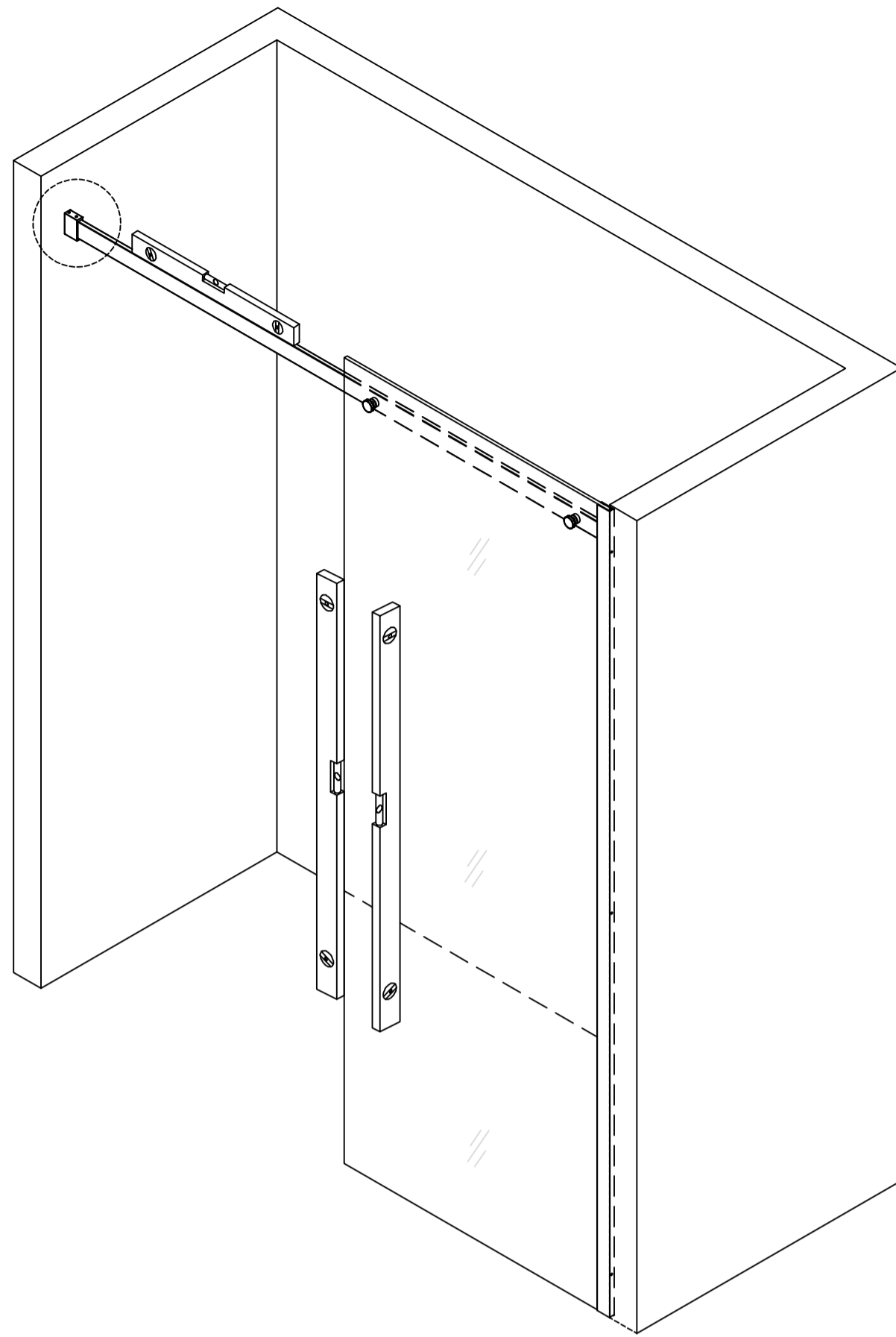
Inside View



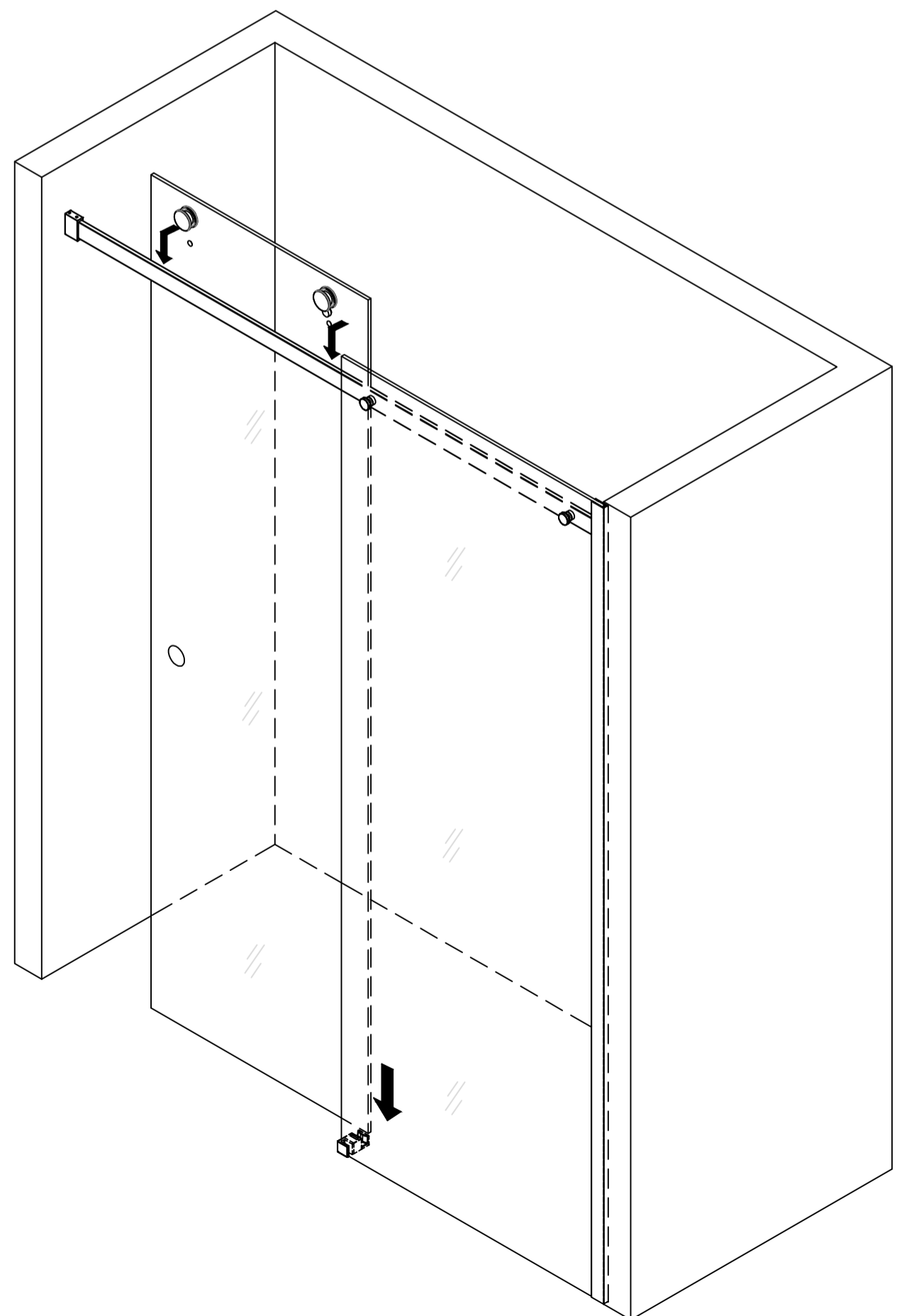
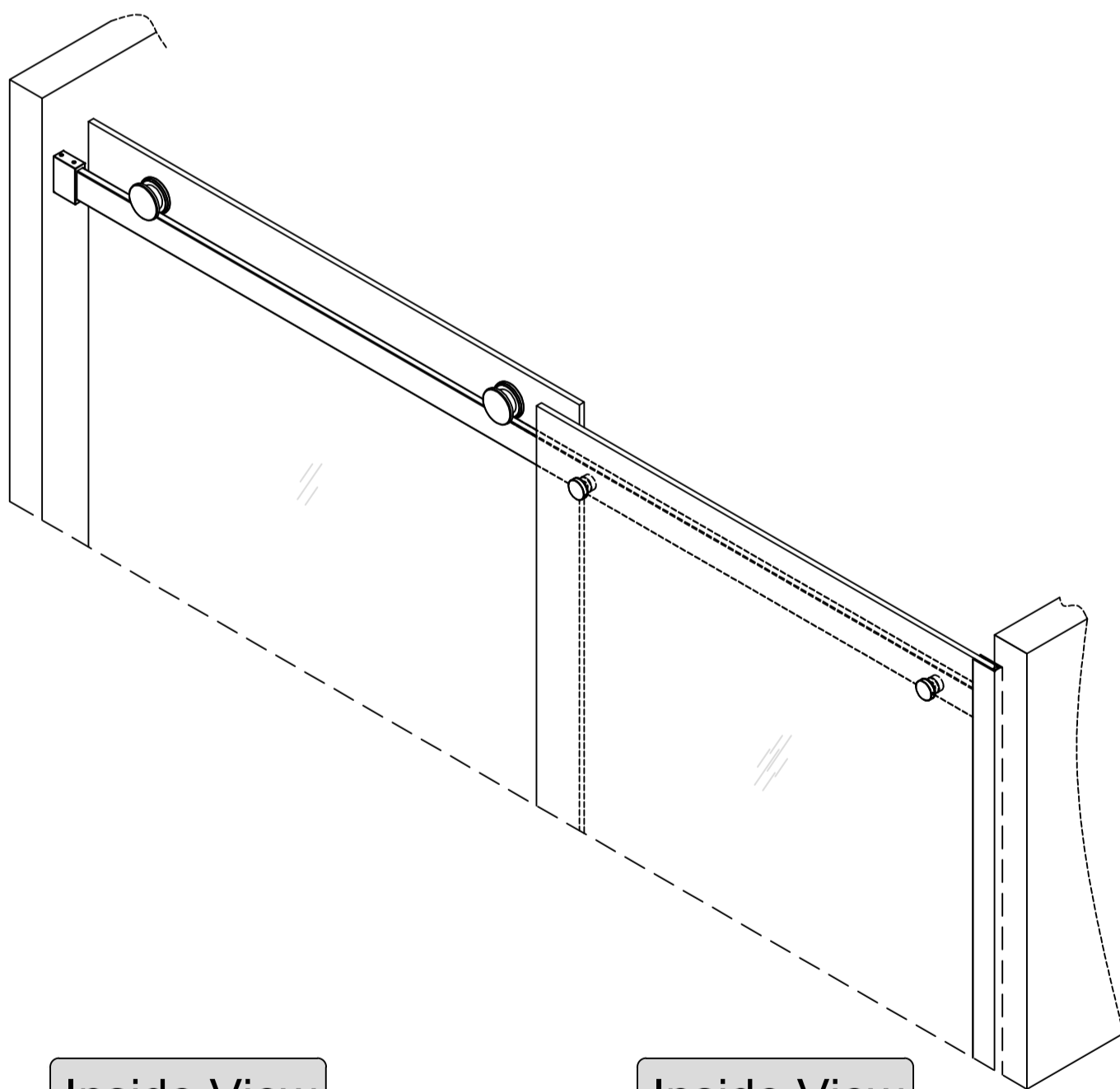
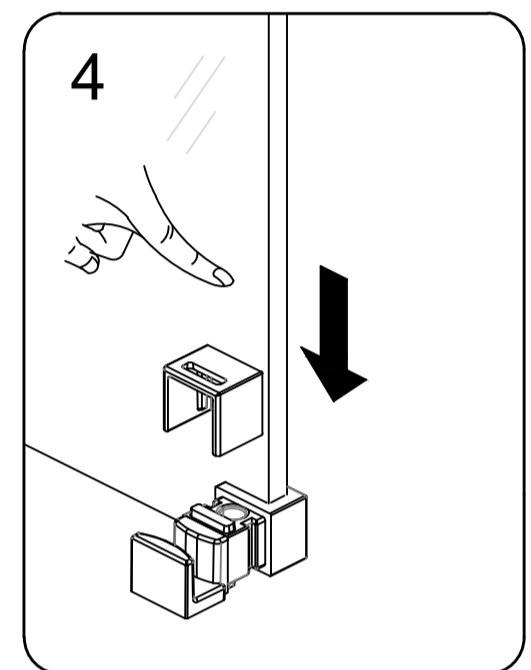
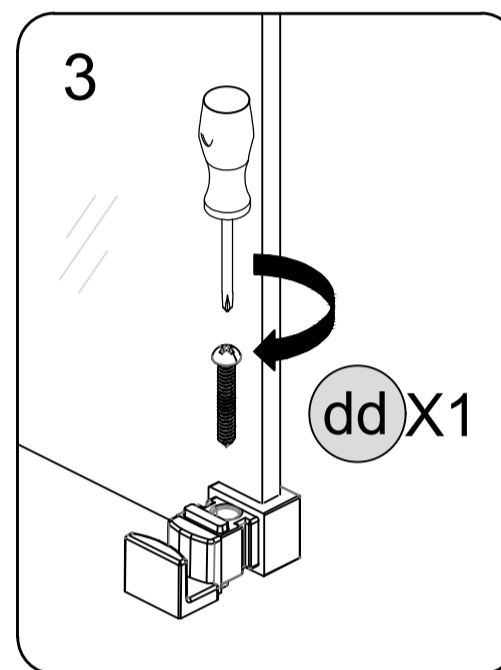
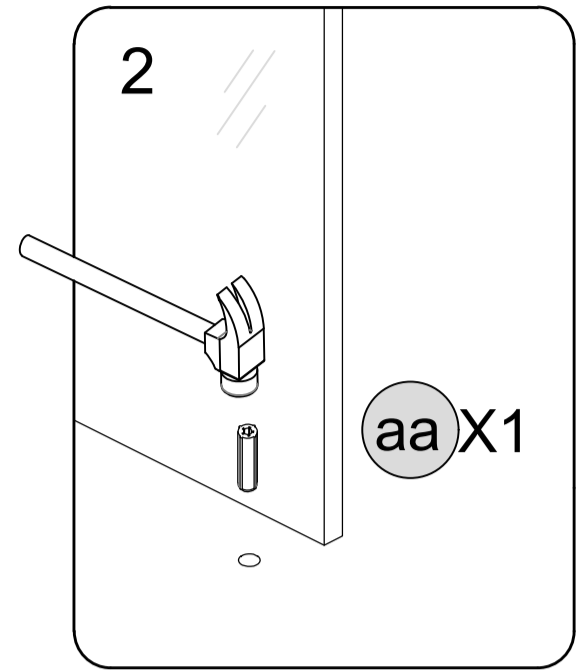
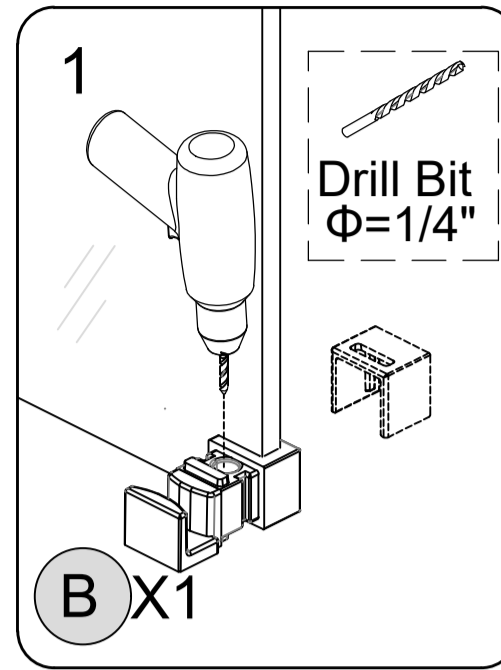
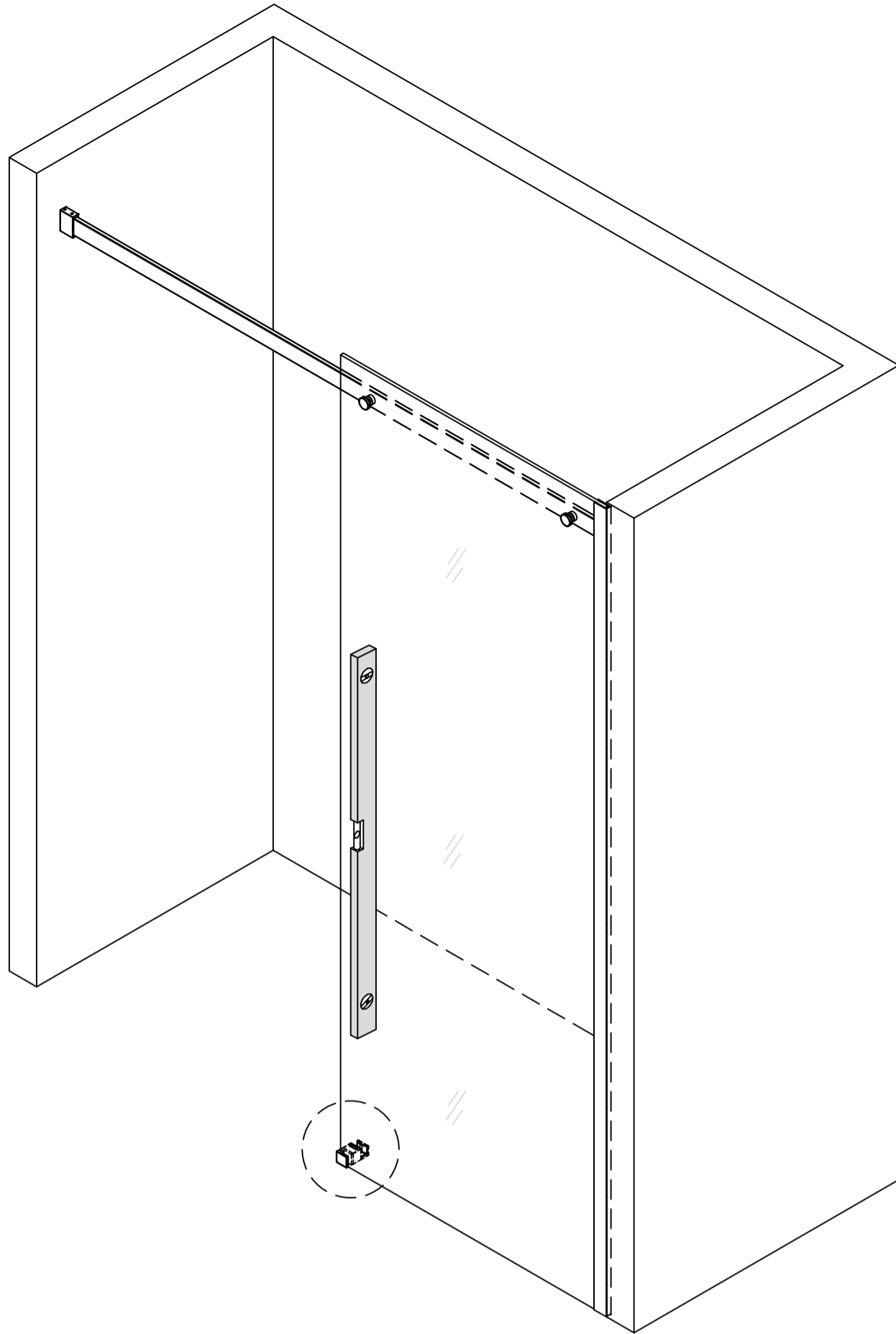
Inside View



WALL BRACKET ASSEMBLY INSTALLATION

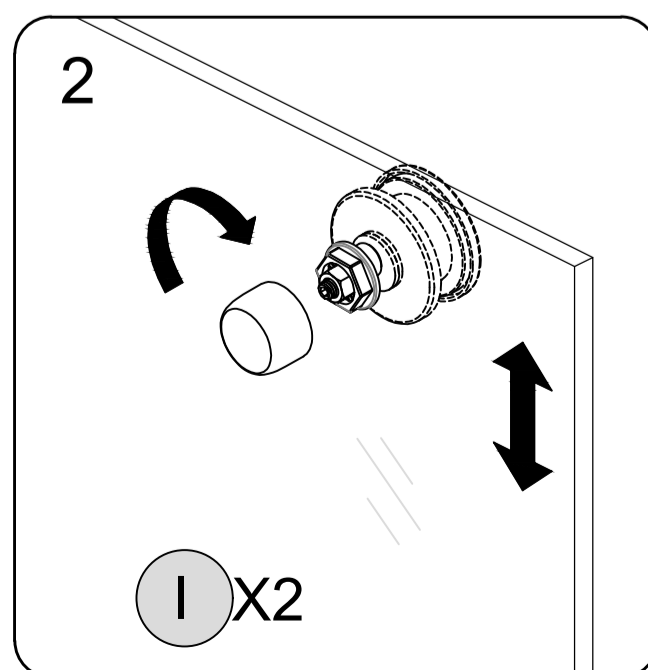
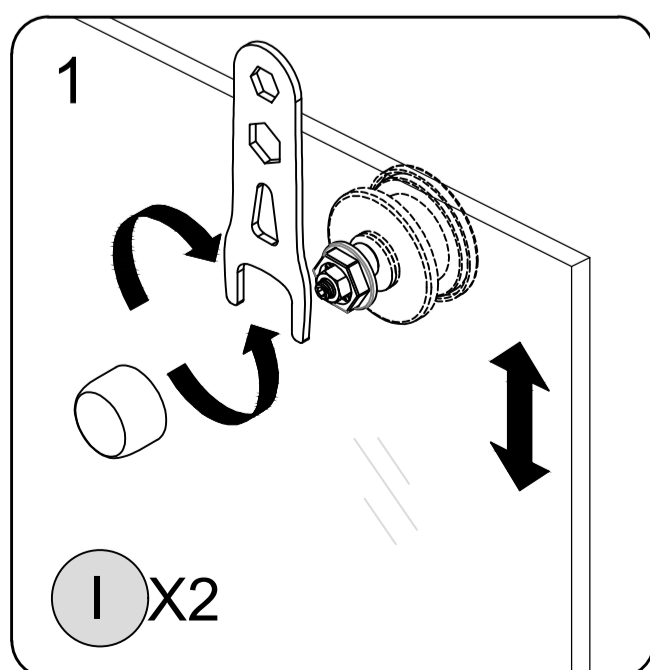


BOTTOM GUILD & DOOR PANEL INSTALLATION

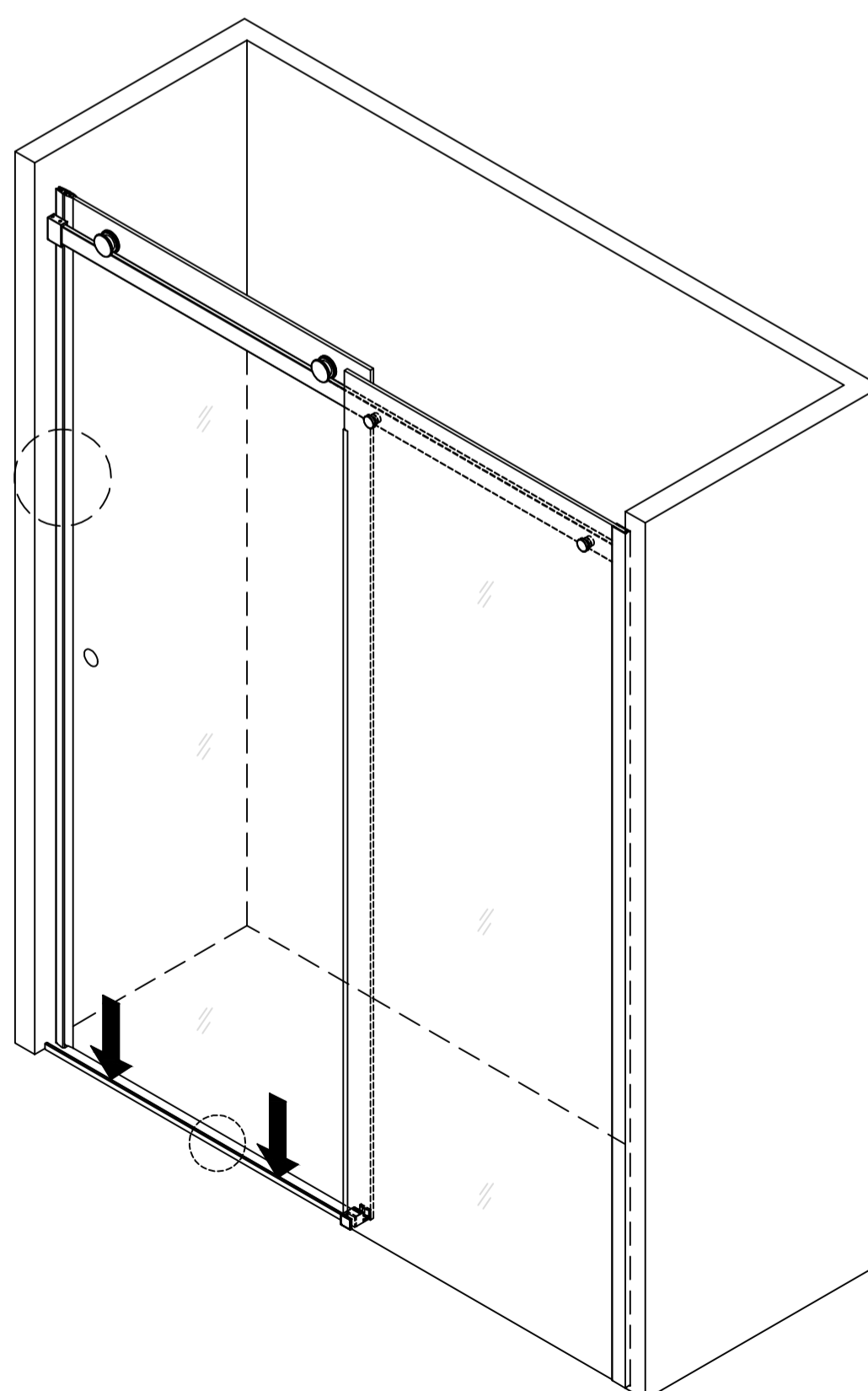
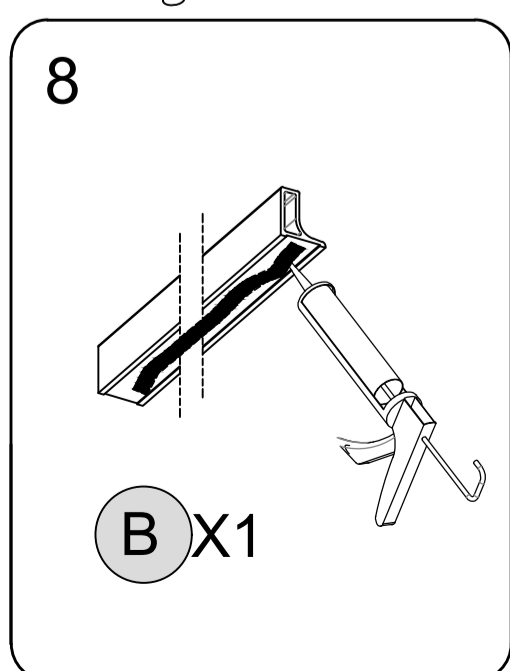
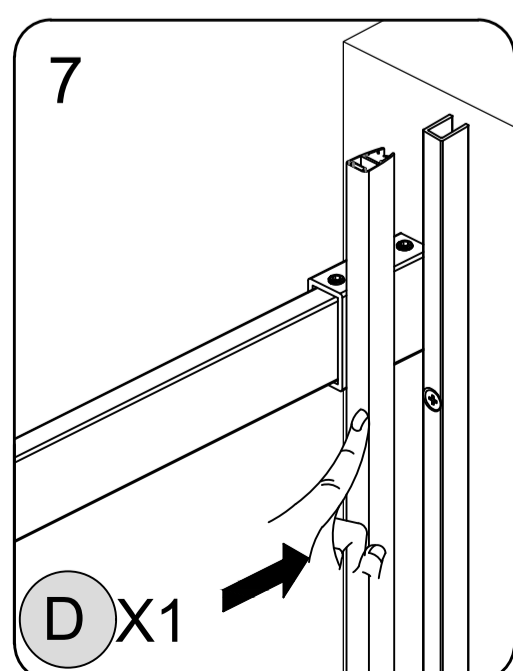
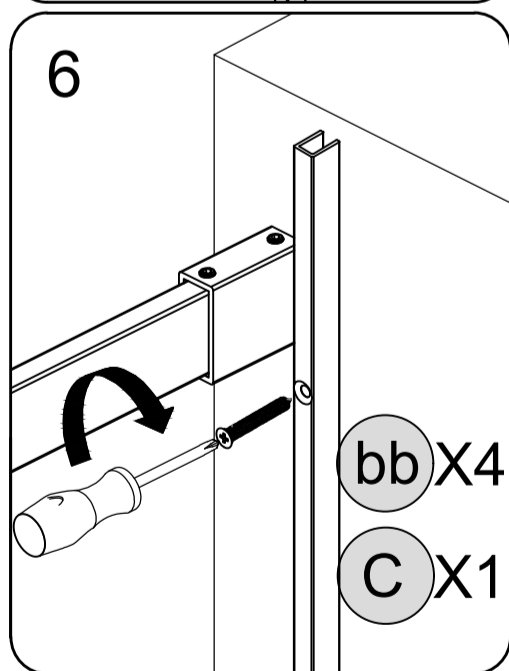
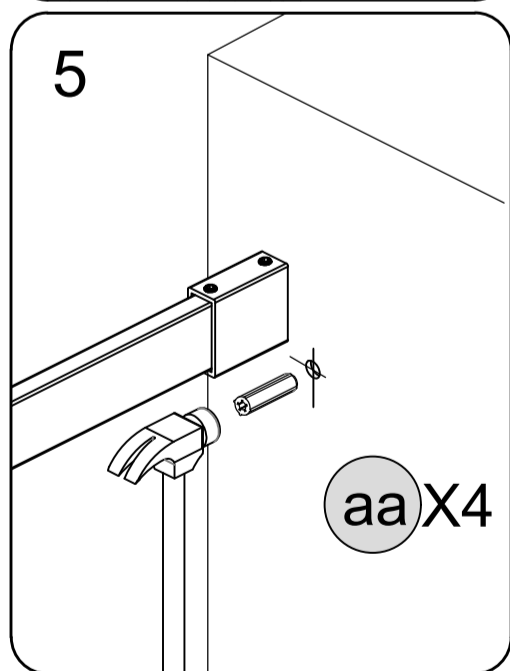
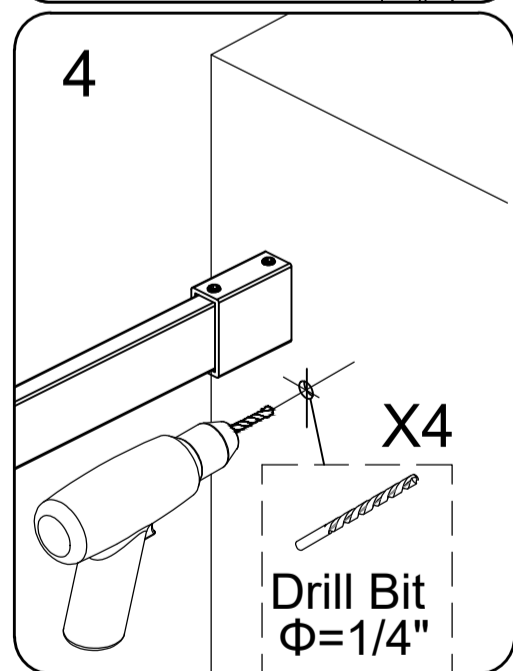
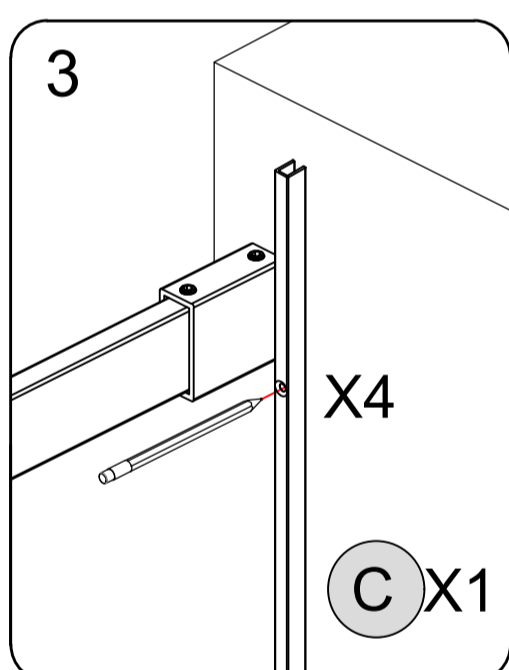
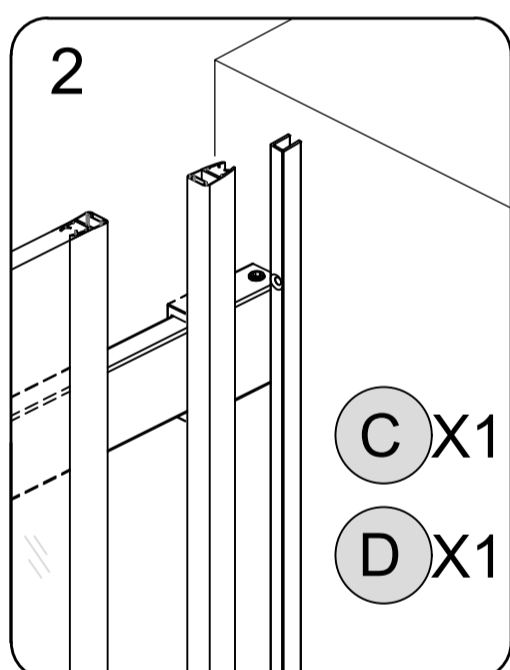
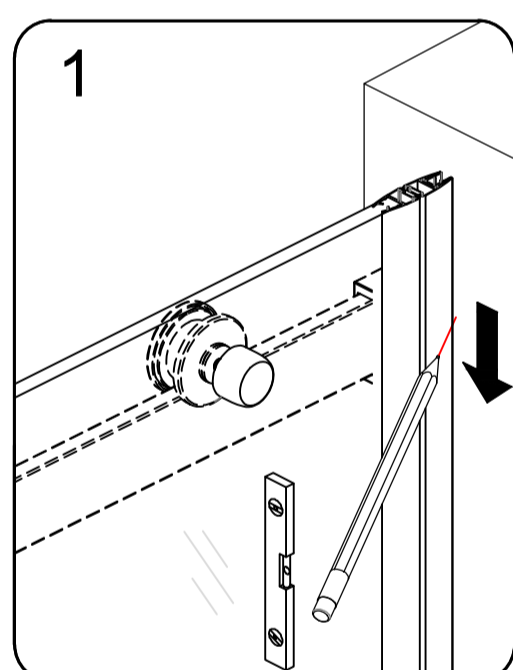
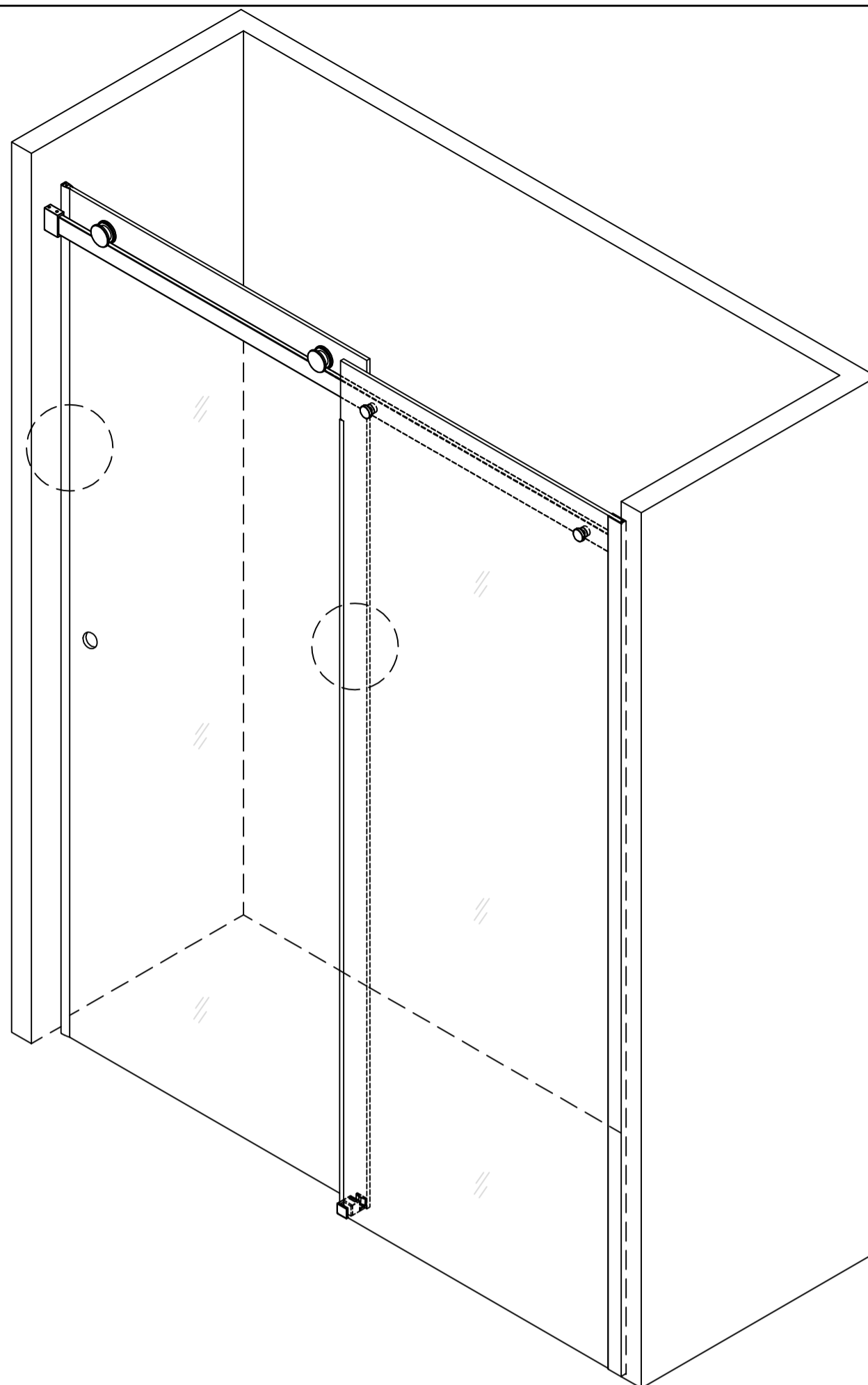
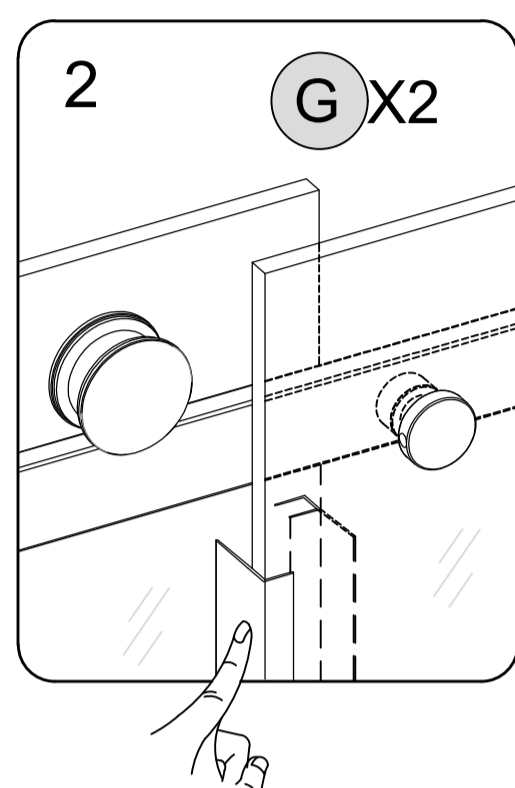
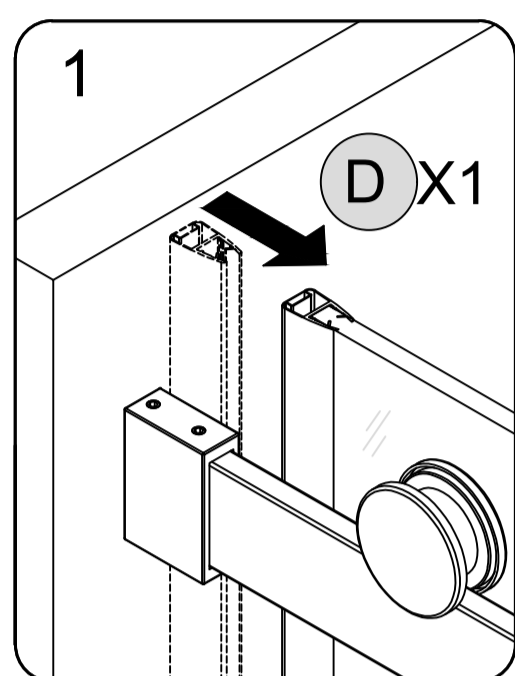


Inside View

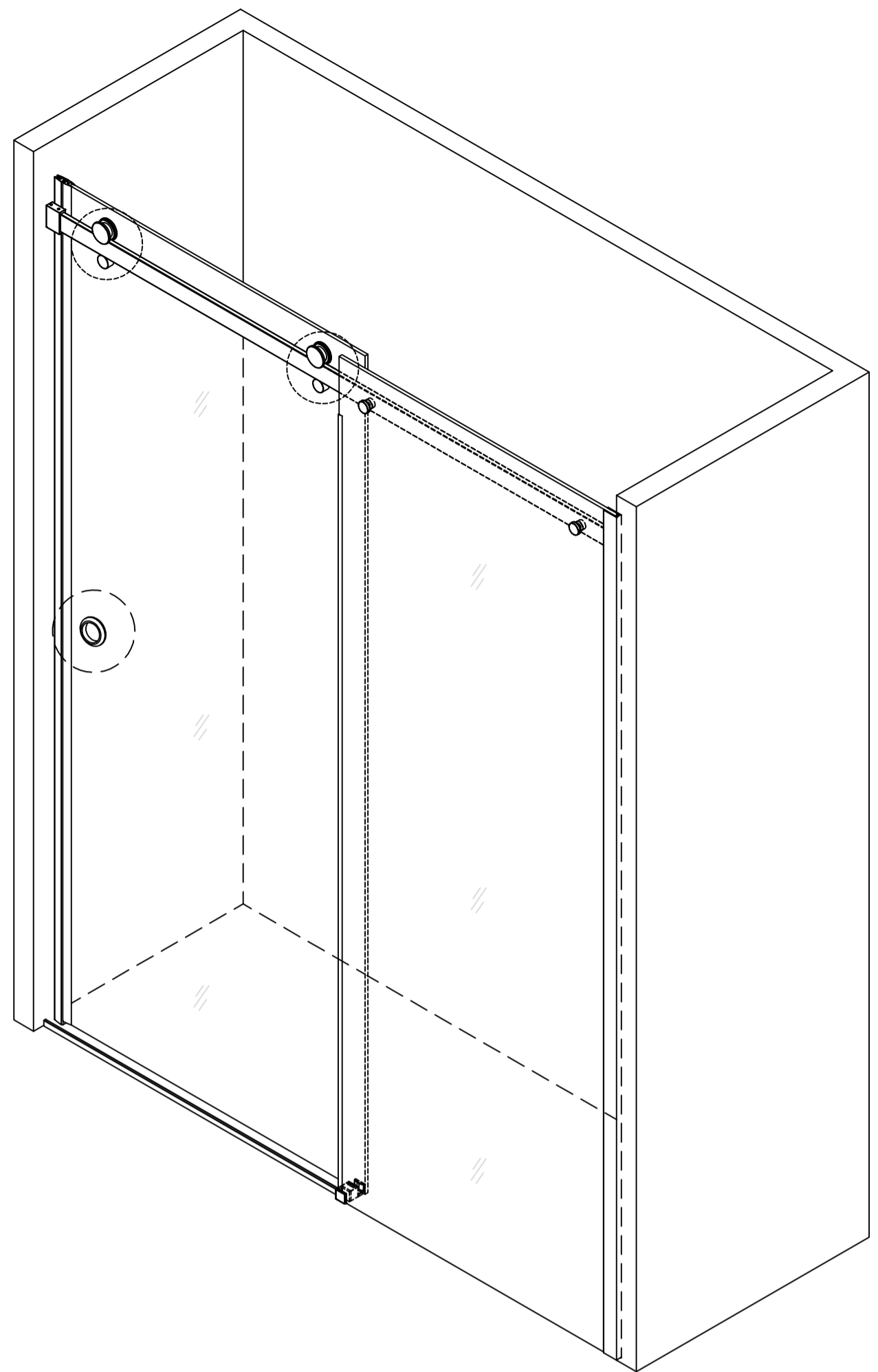
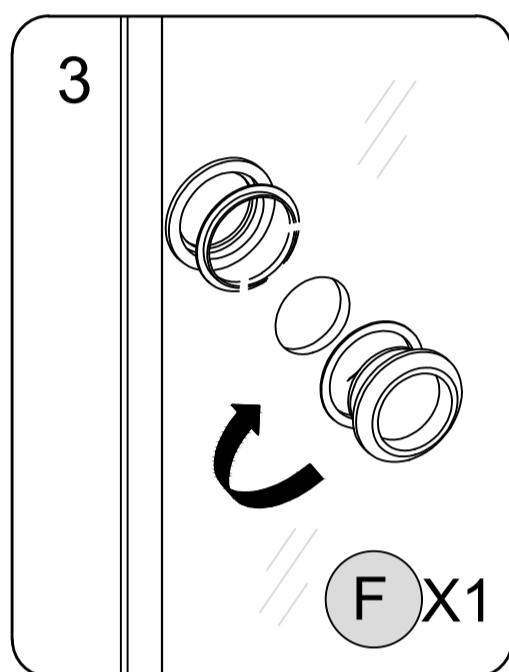
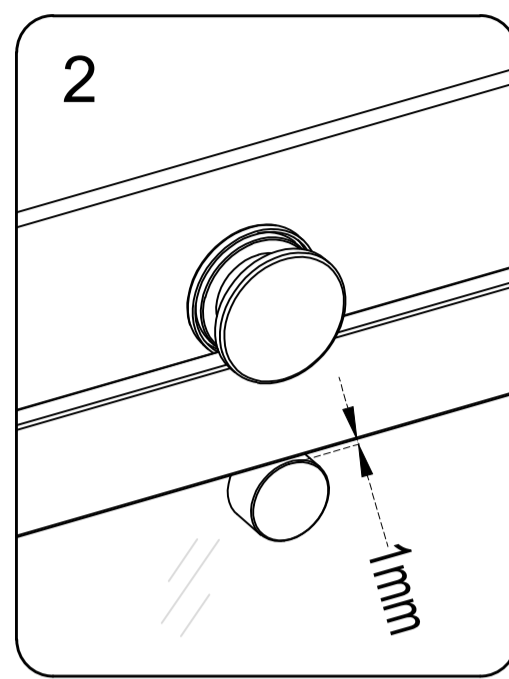
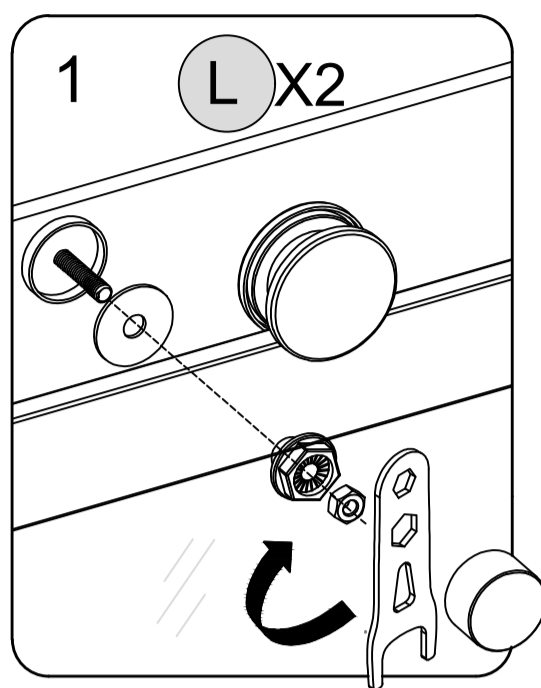
Inside View



F SHAPE SEAL & WALL JAMB & MAGNETIC DOOR SEAL STRIP INSTALLATION



ANTI-JUMP ASSEMBLY & HANDLE INSTALLATION



SEALING

Ensure that the Shower door closes tightly and opens smoothly.
Apply a good quality silicone sealant along the Fixed panel and Wall Jamb

Allow 24 hours for silicone to dry before use.



! Apply Silicone Sealant, (not supplied).

