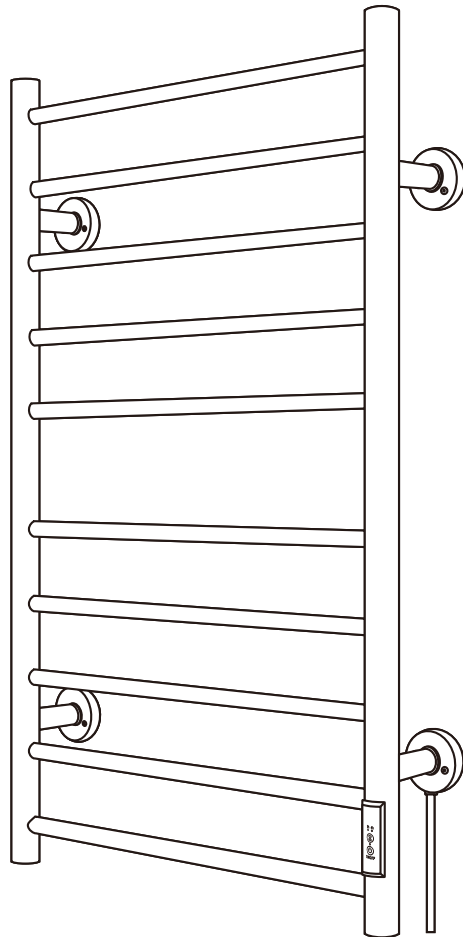


Electric Heated Towel Rack with Timer

Instruction Manual



Model No: BK-109-10T

Instruction manual:

This towel warmer is intended to be used in bathrooms or laundry areas. Please read the instructions carefully before operating.

Product Specifications







Voltage: AC120V

Frequency: 60Hz

Rated Power: 100W

Unit Size: 33.9 x 20.9 x 4.1 in.
(86.0x53.0x10.5 cm).

Parts List and Diagram

Item no.	Reference Image	Qty.	Item no.	Reference Image	Qty.
①		X1	④		X4
②		X10	⑤		X10
③		X4	⑥		X4

Operating Instruction

- Please read the instructions carefully to understand how to install the electric towel warmer on the wall.
- Make sure to complete the installation.
- Plug the power cord into an electrical outlet.
- ON/OFF "●" Switch: Press the ON/OFF button to begin operating the product. If the user presses the button another time and the product turns off, simply press the button again.
- TIMER "⊕" : Select a timer option of 2H (hours) or 4H (hours). Press the "⊕" button to select.
- Please turn the warmer off and remove the plug from the outlet if the warmer is not in use.

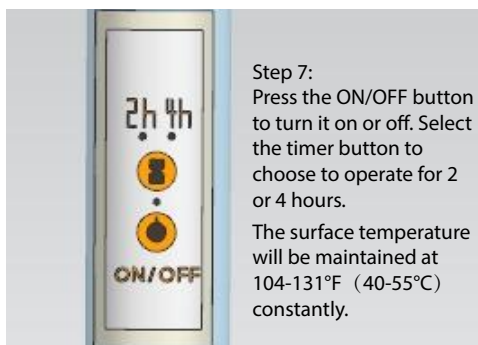
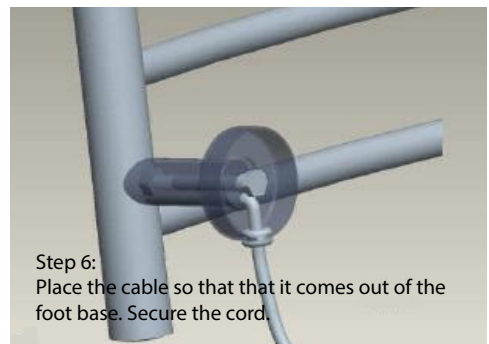
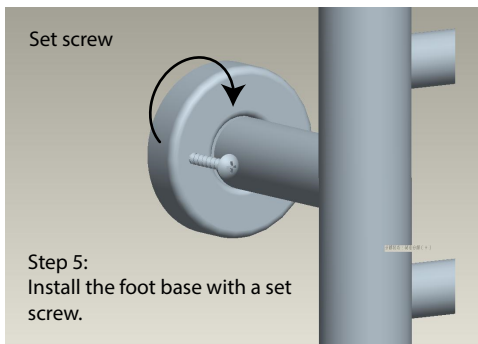
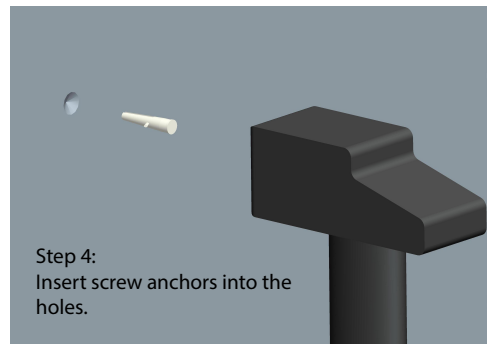
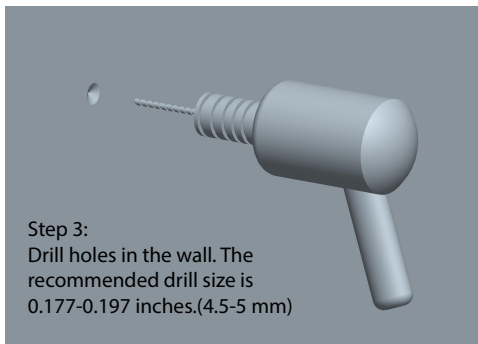
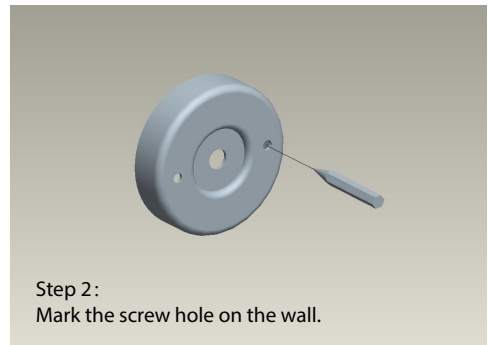
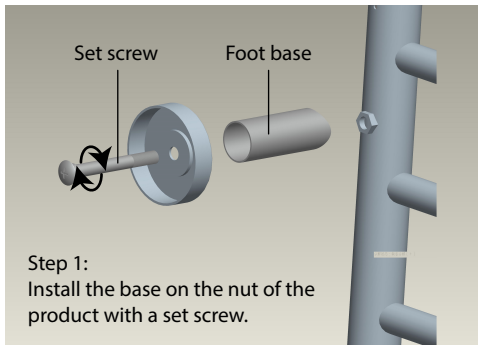
Maintenance

- If the supply cord is damaged, it must be replaced by the manufacturer, its agent, or a similarly qualified person in order to avoid hazards.

Warning

- This appliance is intended only for drying textiles washed in water.
- The electric tower and cloth warmer must only be installed at a distance of at least 23.6 inches from bathtubs and showers.

Wall -Mount Installation Instructions



IMPORTANT SAFEGUARDS

- Read all instructions before using the electric towel warmer.
- Extreme caution is necessary when the towel warmer is used by or near children or people with disabilities, especially if the towel warmer is left operating and unattended.

- Always unplug the towel warmer when it is not in use.

Do not operate the towel warmer if the cord or plug are damaged. Do not operate if the towel warmer malfunctions or if it has been dropped or damaged in any capacity. Return the towel warmer to an authorized service facility for examinations, electrical or mechanical adjustments, or repairs.

- Do not use outdoors.
- Never place the towel warmer where it may fall into a bathtub or other water containers.
- Do not run the cord under carpeting. Do not cover the cord with throw rugs, runners, or the like. Arrange the cord away from traffic areas and place it where it will not be tripped over.
- To disconnect the towel warmer, remove the plug from the outlet.
- Do not use it in areas with gasoline, paints, or flammable liquids.
- Use this towel warmer only as described in this manual. Any other use not recommended by the manufacturer may result in fires, electric shocks, or injuries.
- Keep these instructions for reference.

CAUTION:

-THIS TOWER WARMER ONLY OPERATES IN AN UPRIGHT

POSITION:

-STORE THE TOWEL WARMER IN A COOL, DRY LOCATION WHEN NOT IN USE.

-DO NOT STORE UNTIL THE TOWEL WARMER HAS COOLED DOWN.

-ANY OTHER SERVICING SHOULD BE PERFORMED BY AN AUTHORIZED SERVICE REPRESENTATIVE.

-THE TOWEL WARMER MUST NOT BE LOCATED IMMEDIATELY BELOW A SOCKET/OUTLET.

This appliance is not intended to be used by persons (including children) with reduced physical, sensory, or mental capabilities. It is also not intended to be used by persons who lack experience and knowledge unless they have been given supervision or instructions by a person responsible for their safety. Children should be supervised to ensure that they do not play with the appliance.