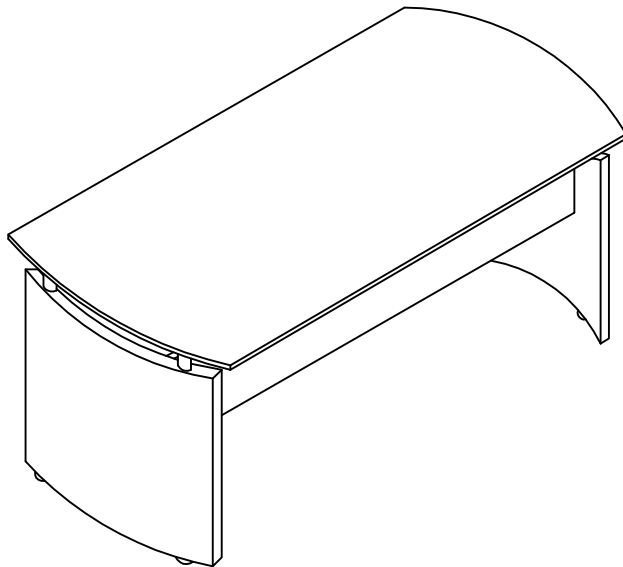




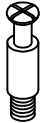
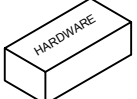


Medina SeriesTM Curved Desk



ASSEMBLY INSTRUCTIONS

PARTS LIST

Name	Part	Qty.	Spare Qty.	Name	Part	Qty.	Spare Qty.
A	 REALS001 Cam Lock	9	1	D	 REALS102SLV Cam Sticker/Silver	5	1
B	 REALS102** Cam Sticker	4	1	E	 REALS414 Base Stand-off	5	
C	 REALS003 Cam Post	9	1		 MNCNZHB		

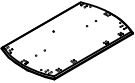



NOTE:

- ①. 1 Top and 1 Modesty Panel packed in one carton - MNMT63/MNMT72.
- ②. 2 Legs with Hardware packed in one carton - MNDB.

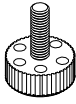
Items with HB are in hardware box.

**Denotes Color Code

PARTS LIST

Name	Part	Qty.	Name	Part	Qty.
G	 MNDT~~** TOP	1	H2	 MNDB** Right Base Leg	1
H1	 MNDB** Left Base Leg	1	K	 MNDTK~~** Modesty Panel	1

Pre-Assembled Replacement Part List

Replacement #	Part	Qty.
REALS425	 Leveler	4

~~Denotes Size - 63/72

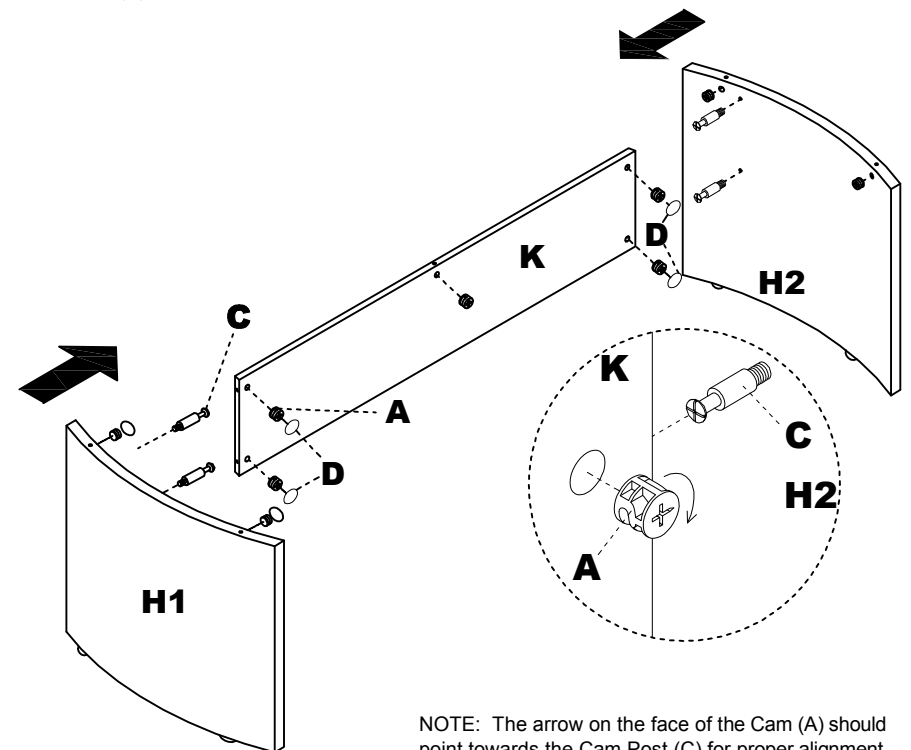
**Denotes Color Code

2

IMPORTANT!

Review ALL instructions before beginning assembly. These instructions are provided to avoid problems that may occur from improper assembly or installation. Mayline and/or its distributor are not responsible for failure resulting from improper assembly or installation of this product. Moreover, all warranties are void for failure to follow these assembly instructions.

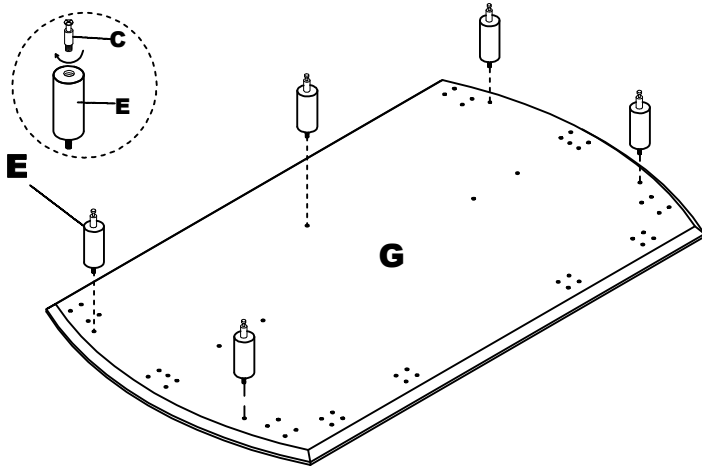
- 1 Insert Cams (A) into the Modesty Panel (K) and Base Legs (H1 & H2). Install Cam Posts (C) into threaded inserts in Base Legs (H1 & H2). Attach Modesty Panel (K) to Base Legs (H1 & H2) by turning Cams (A). Apply Cam Sticker/Silver (D) onto Cams (A) of Modesty Panel (K).



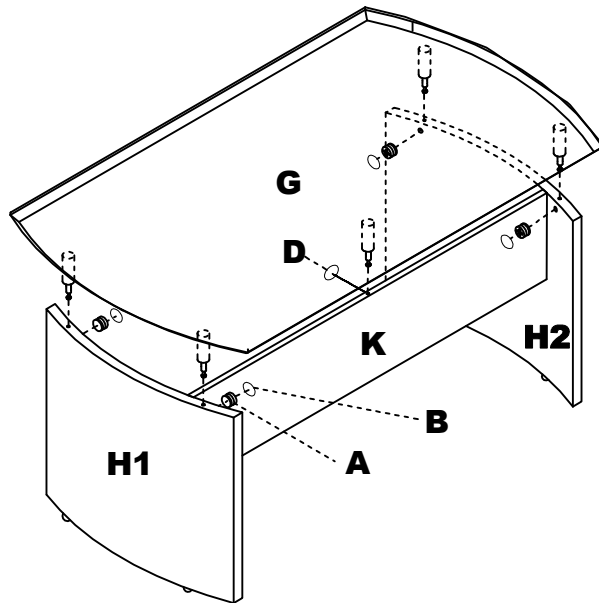
NOTE: The arrow on the face of the Cam (A) should point towards the Cam Post (C) for proper alignment.

3

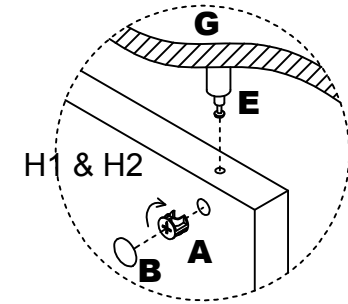
- 2** Install Base Stand-off (E) into threaded inserts in underside of Top (G).



- 3** Place Top (G) onto base and lock in place by turning Cams (A). Apply Cam Stickers (B) onto Cams (A) of Base Legs (H1 & H2). Apply Cam Sticker/Silver (D) onto Cams (A) of Modesty Panel (K).

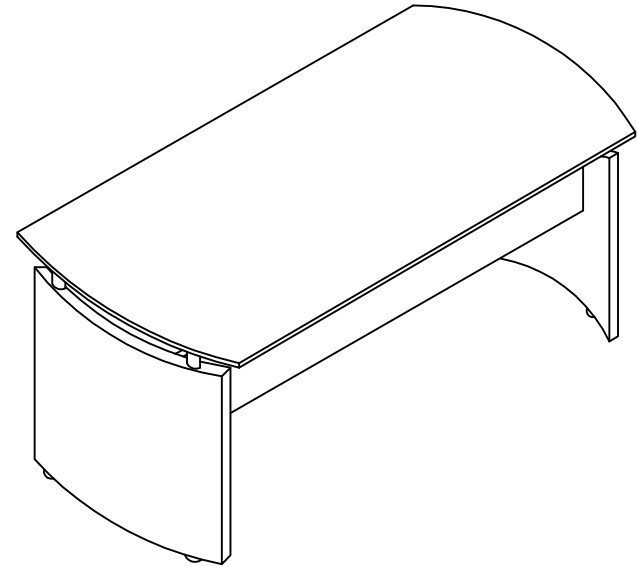


4



NOTE: The arrow on the face of the Cam (A) should point towards the Base Stand-off (E) for proper alignment.

ATTENTION: Due to the floating design of the Medina desk, care must be taken when moving the unit. Lift the desk by its base and avoid pushing the desk



5