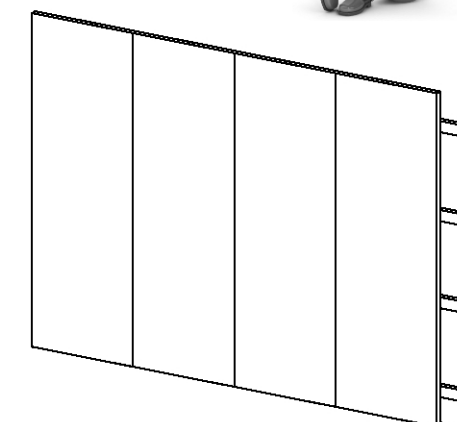
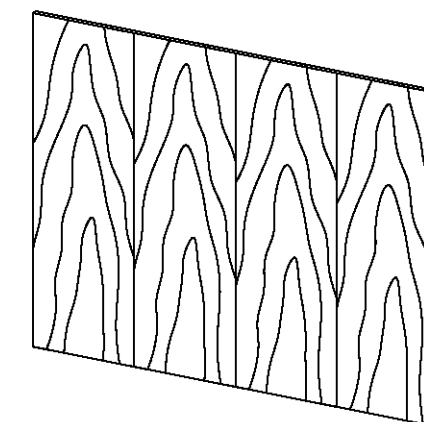
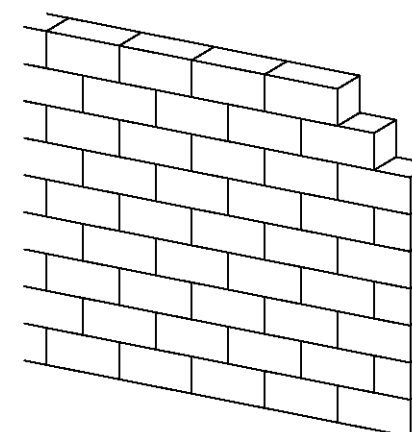
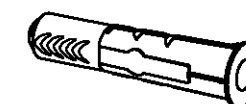
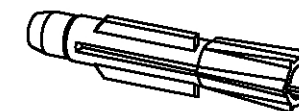
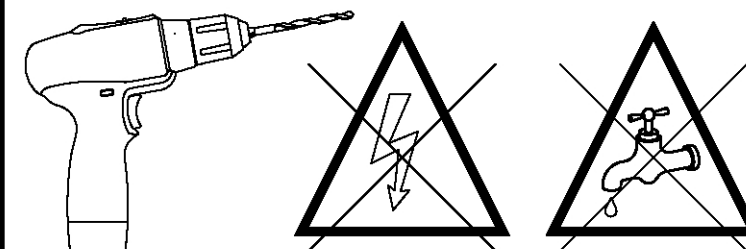
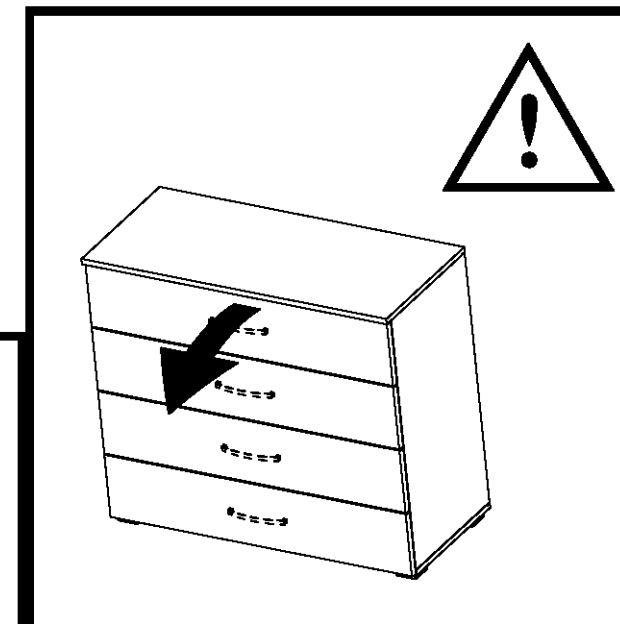
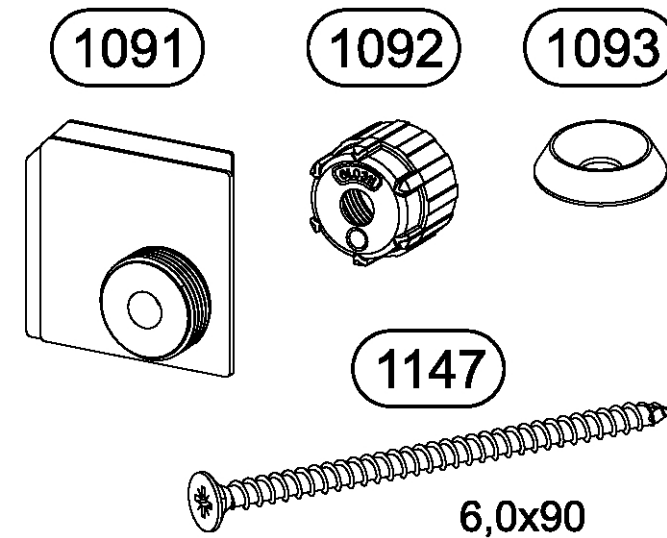
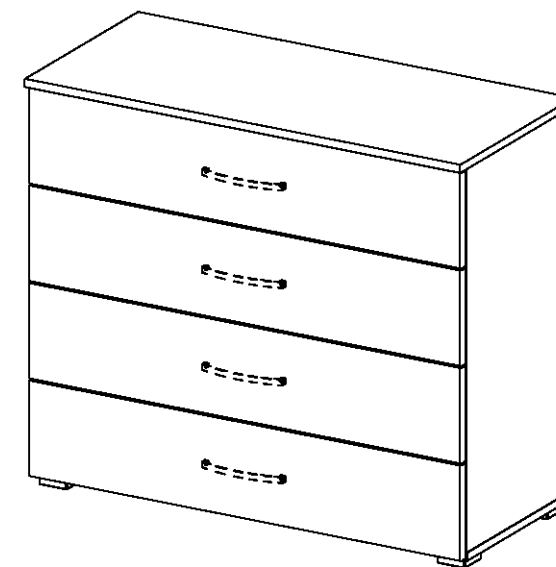
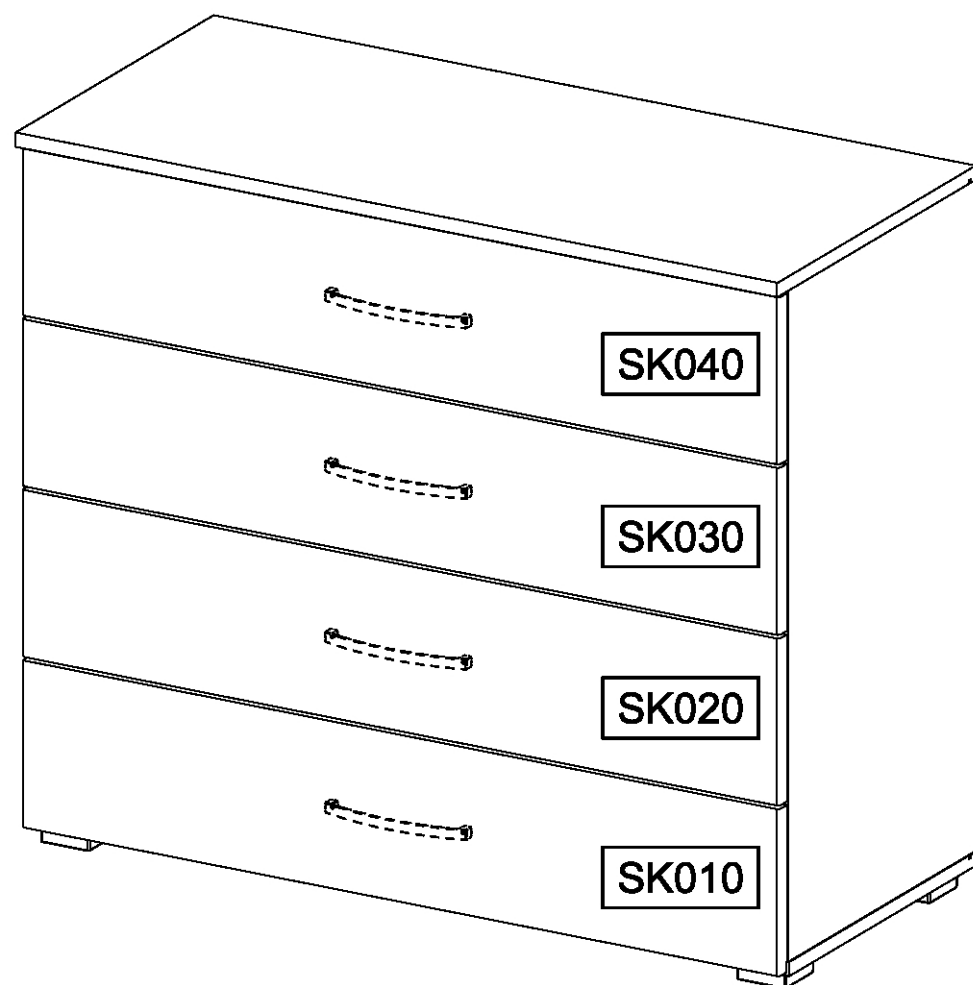
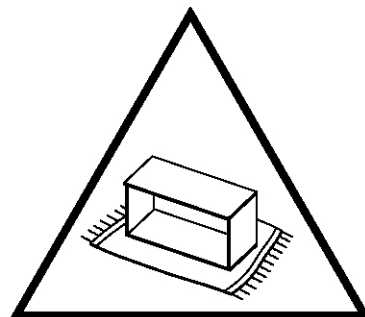
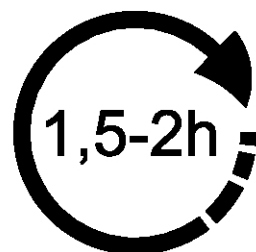
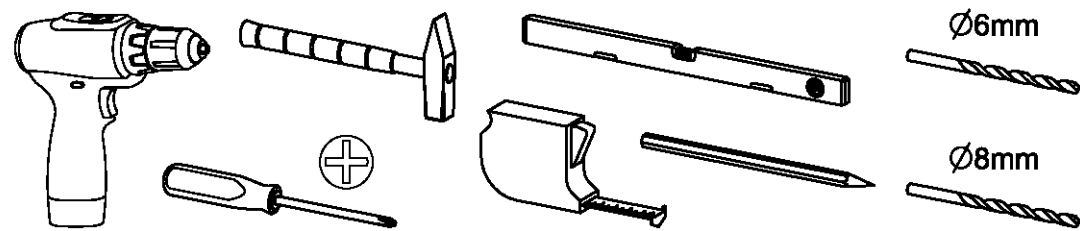
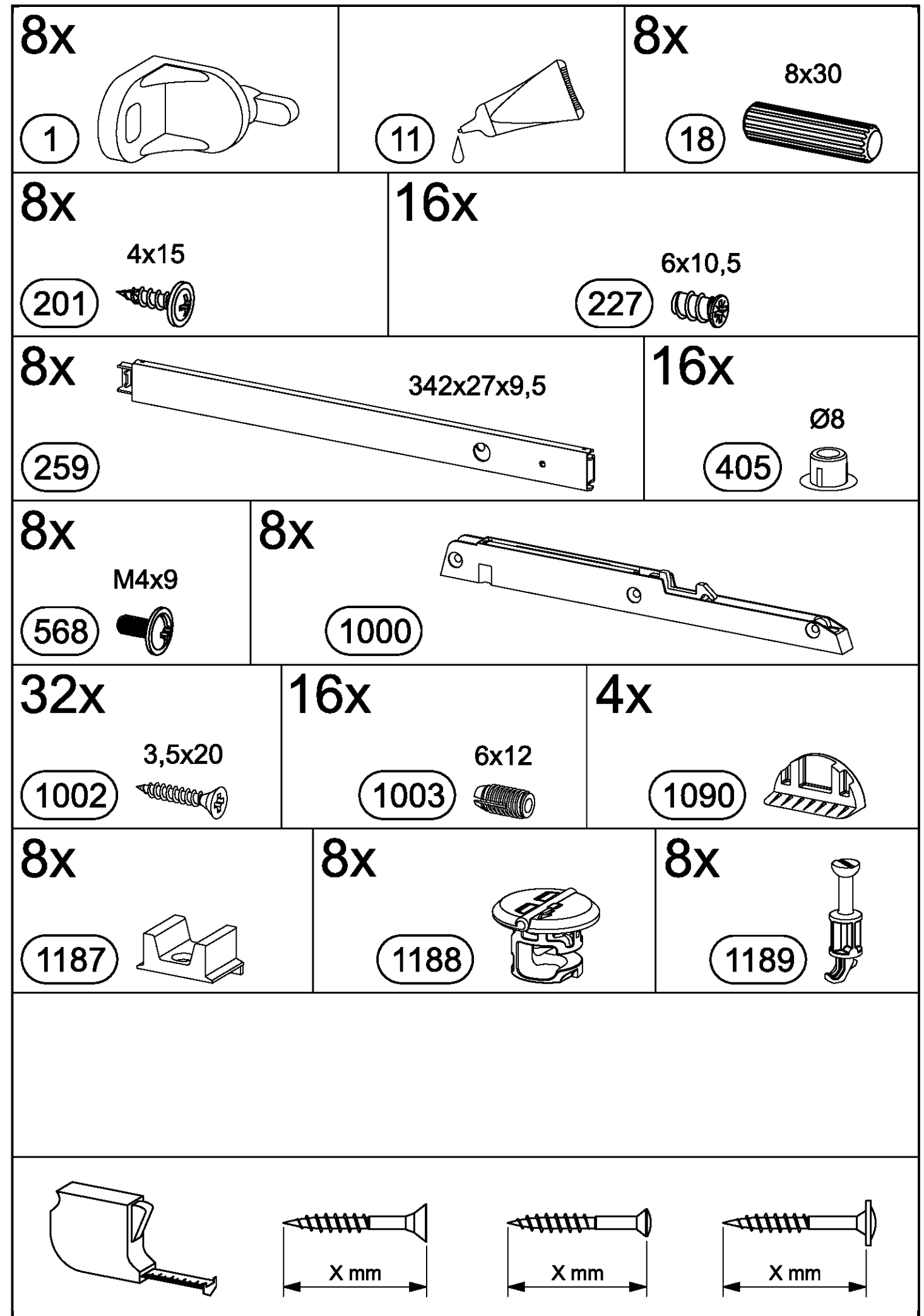
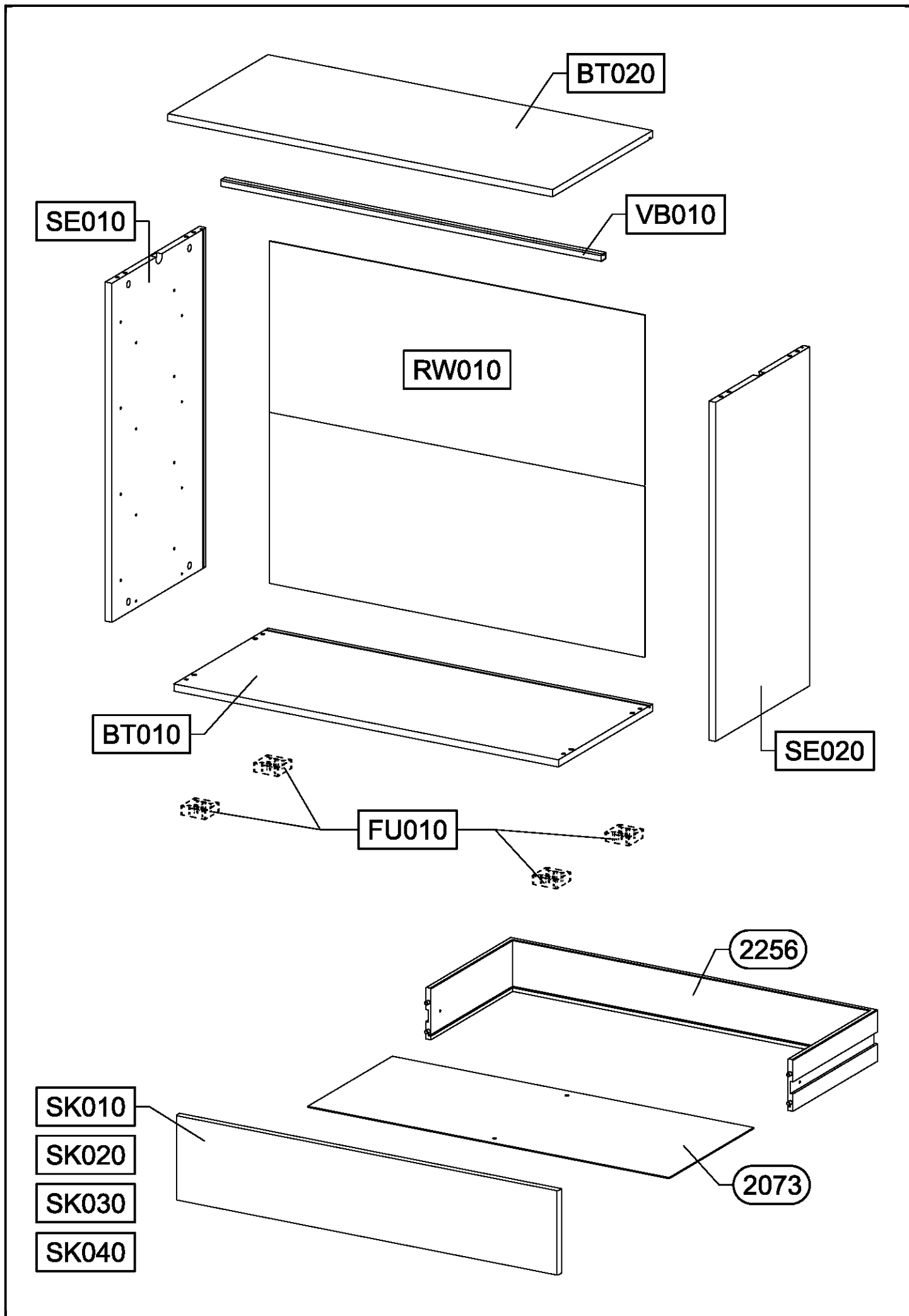
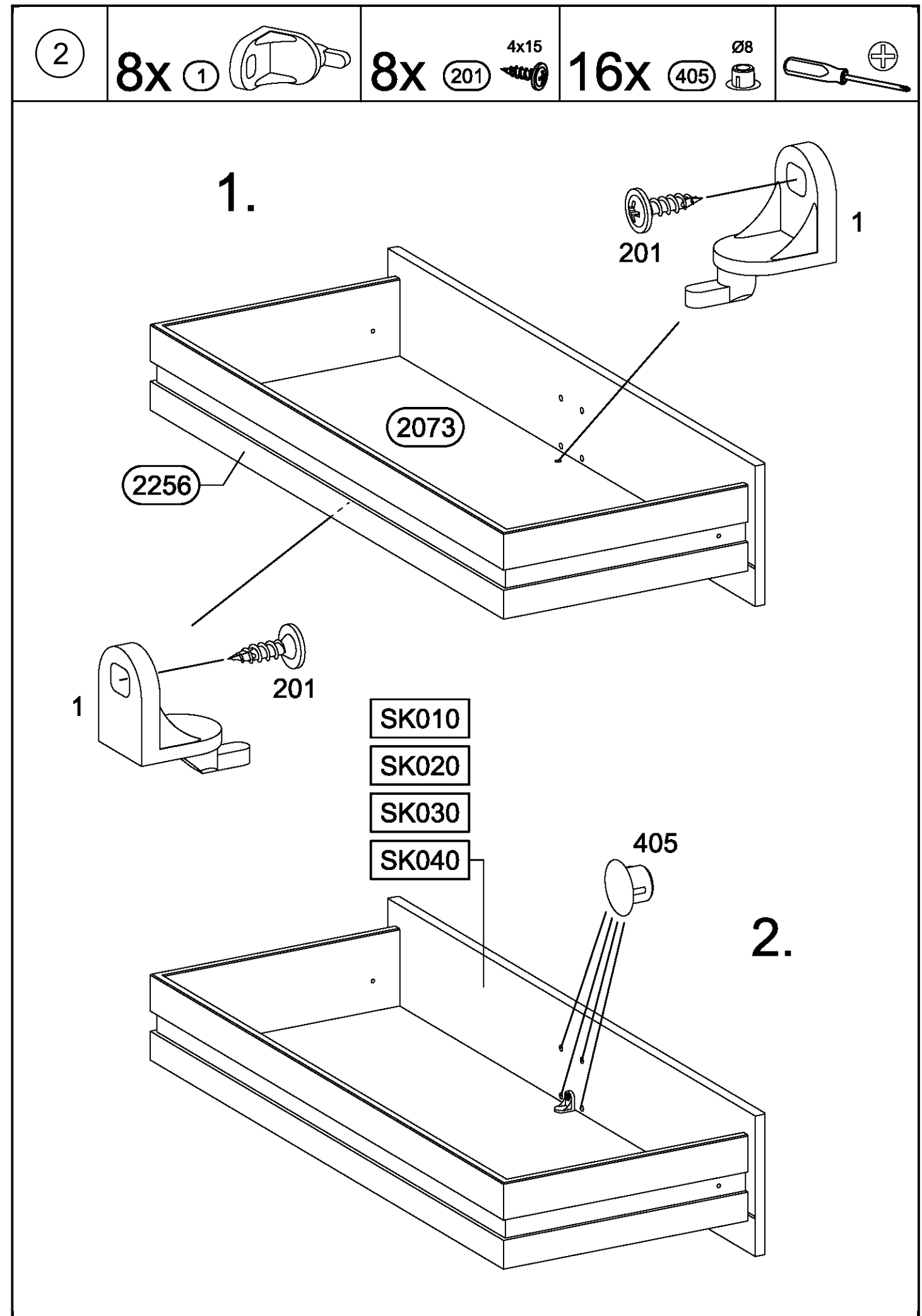
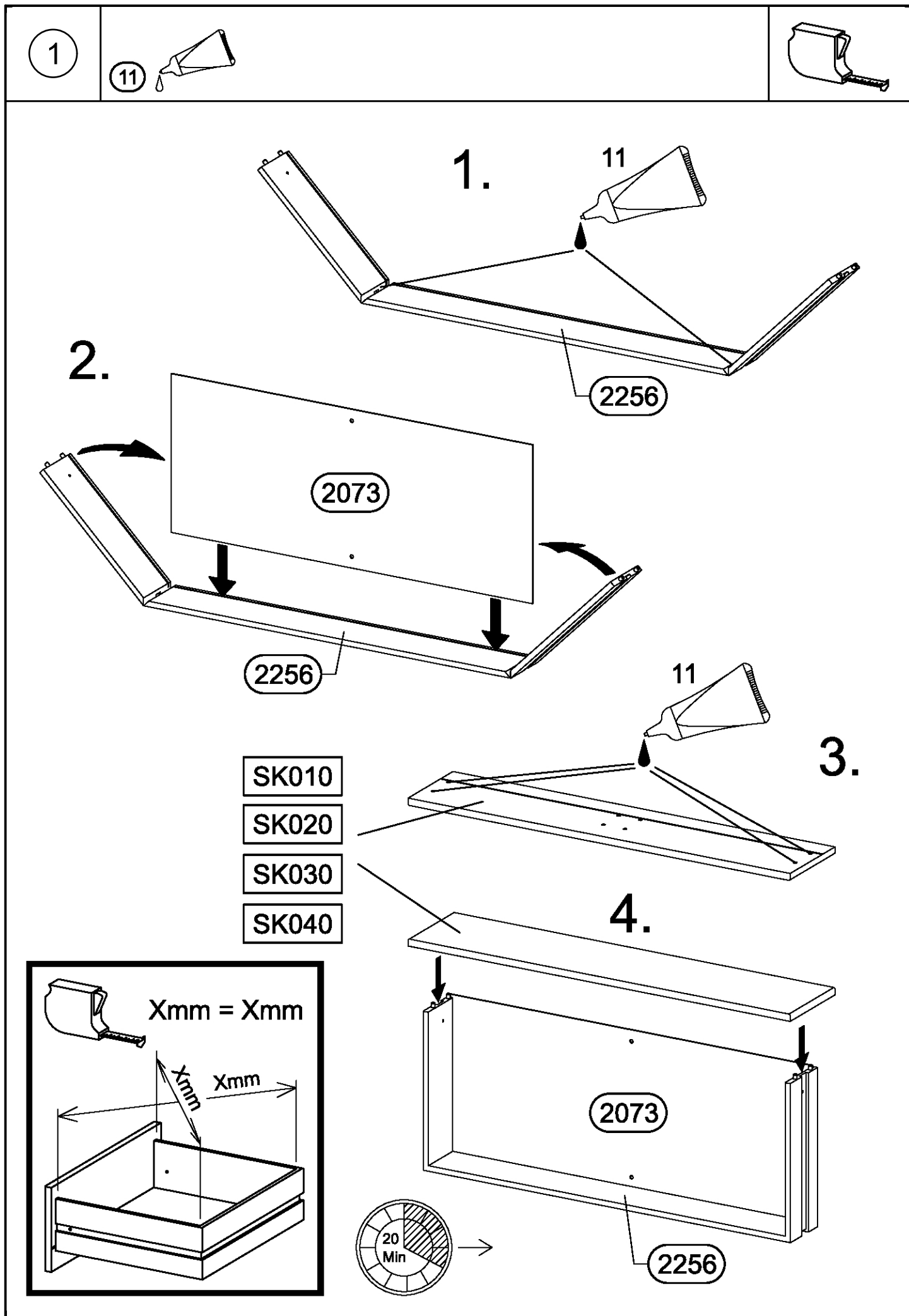


M2611\_01

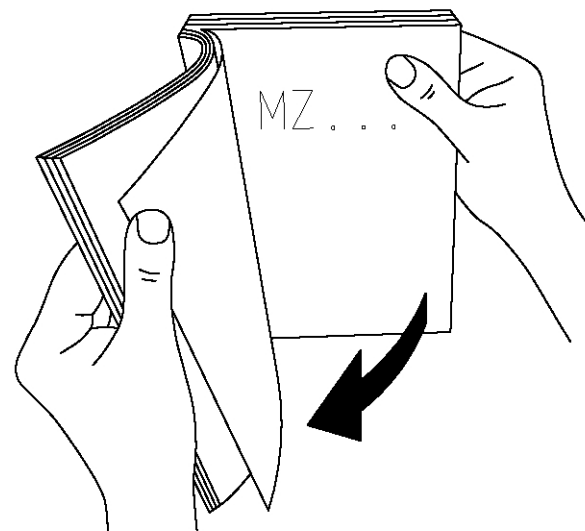
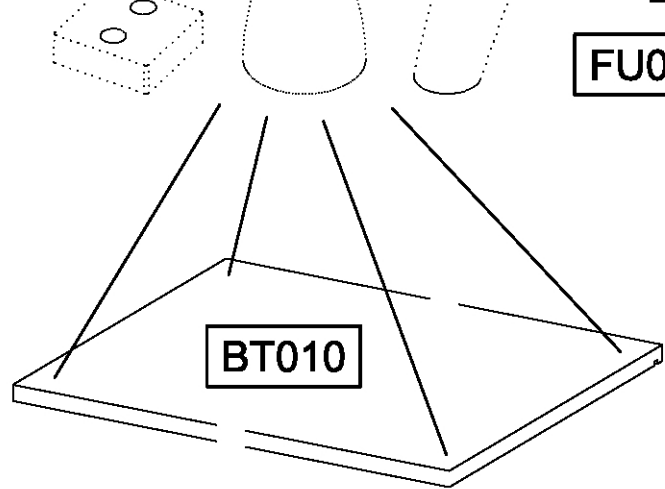
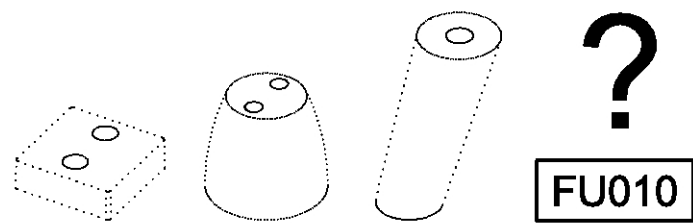
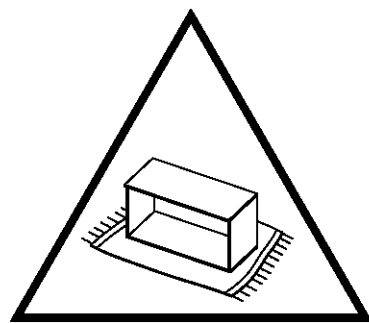
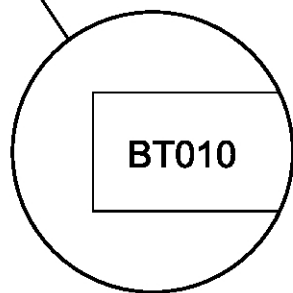
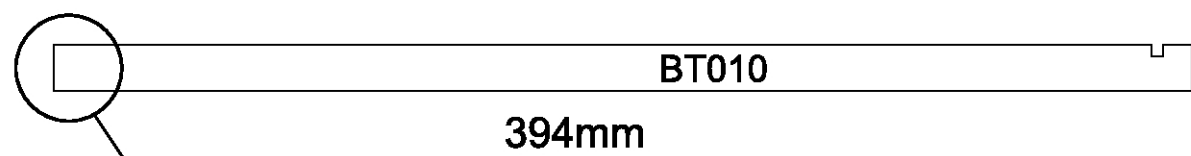
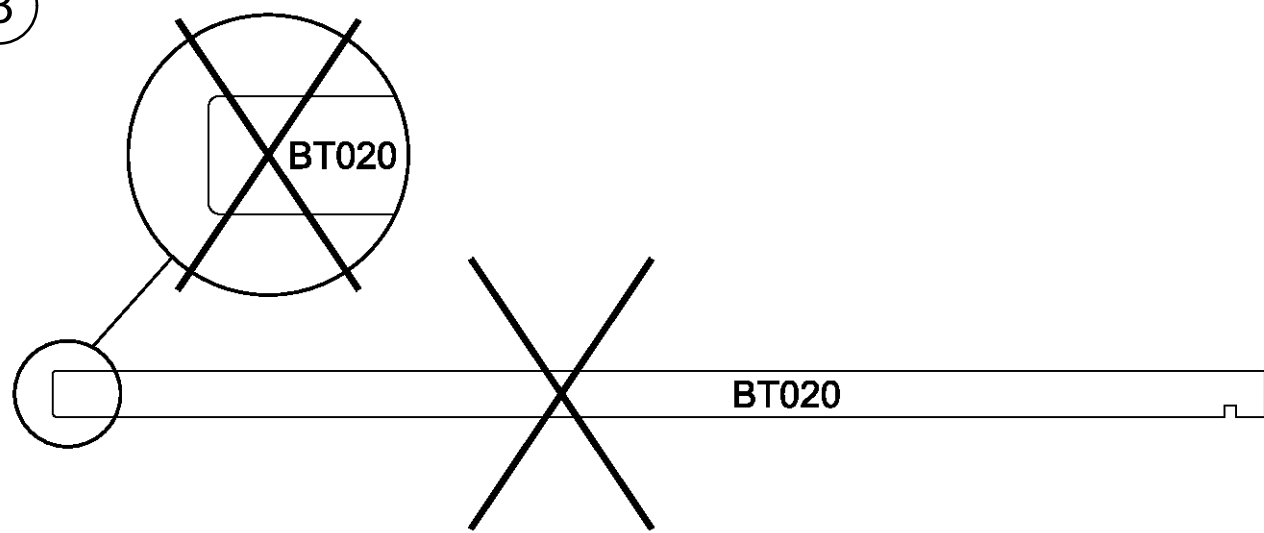
rauch





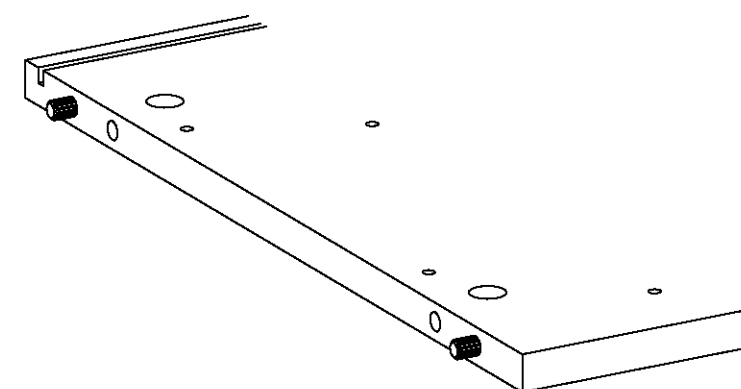
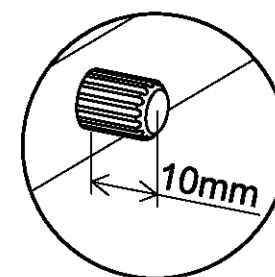
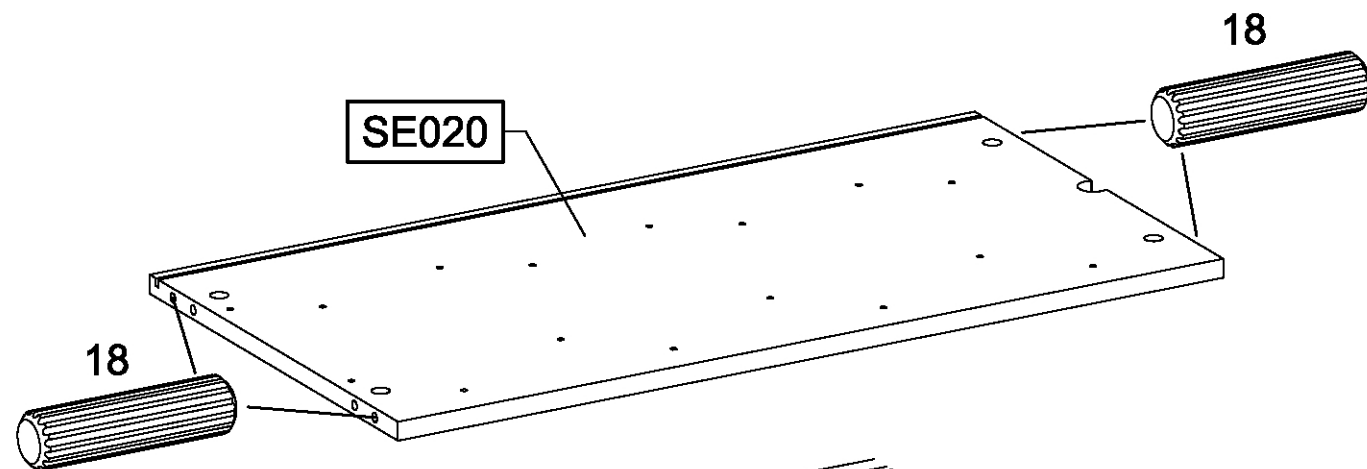
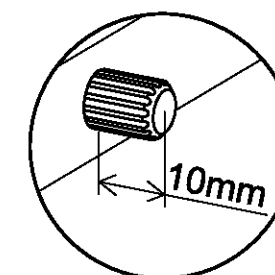
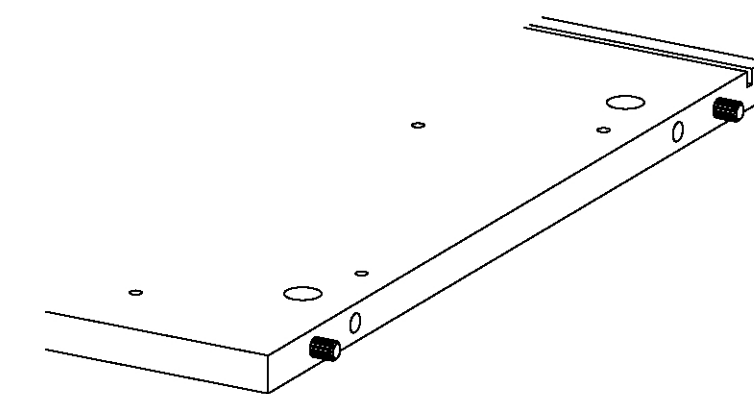
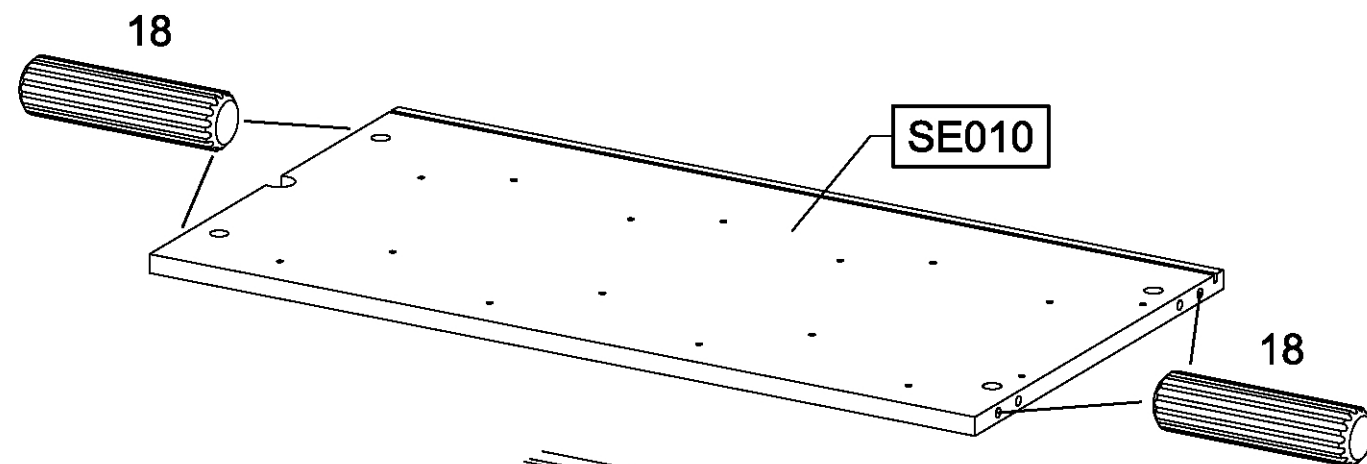
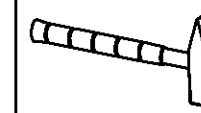


3



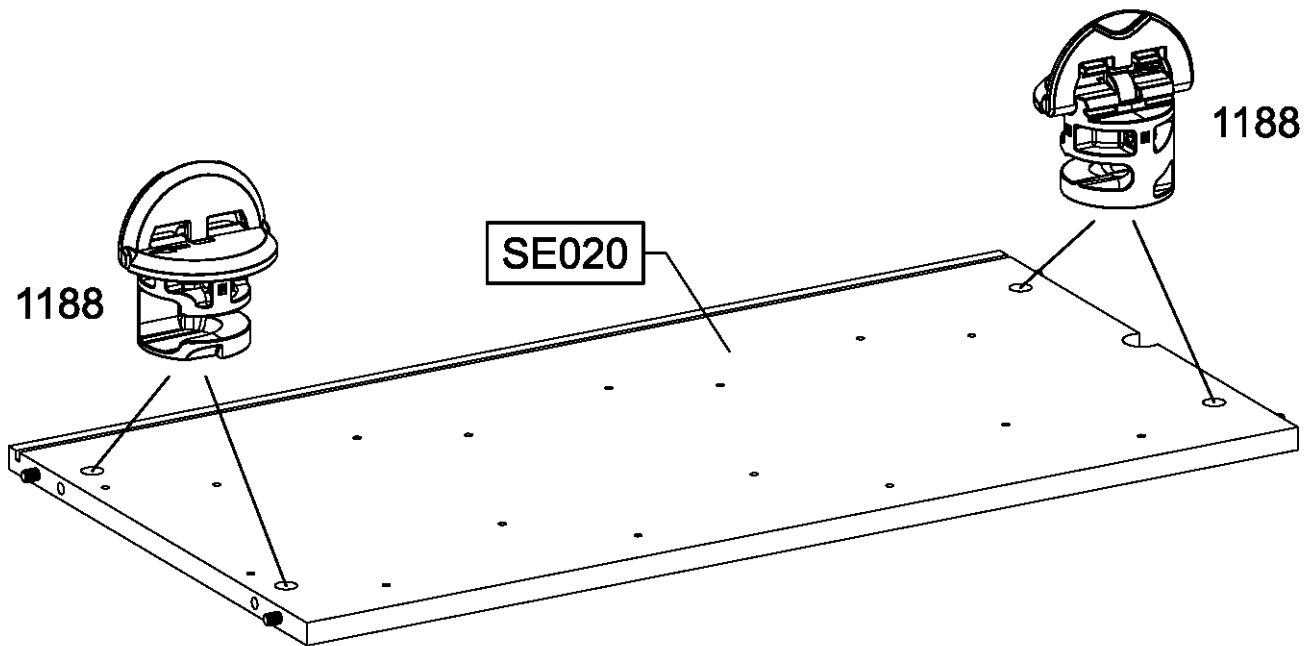
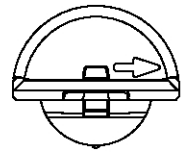
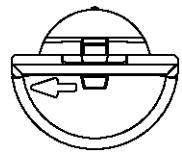
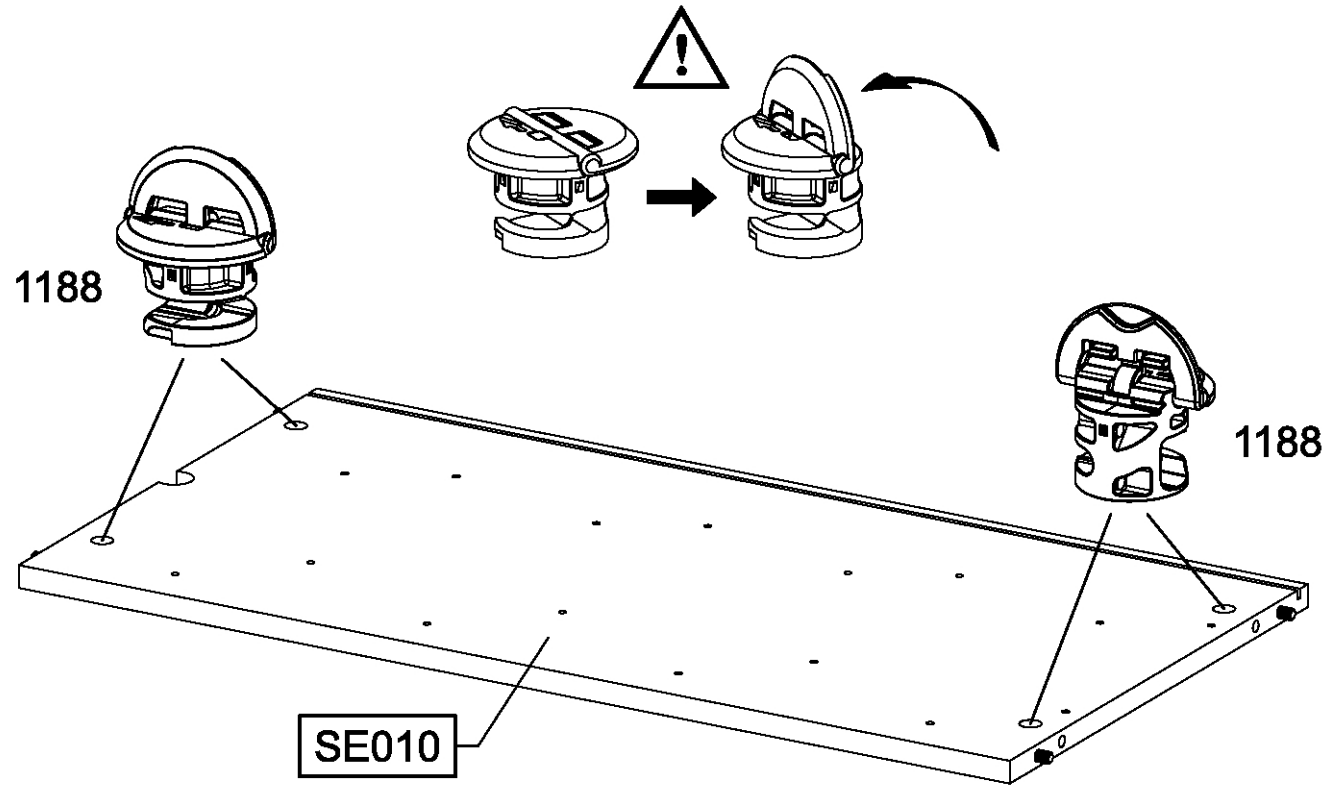
4

8x 18 8x30



5

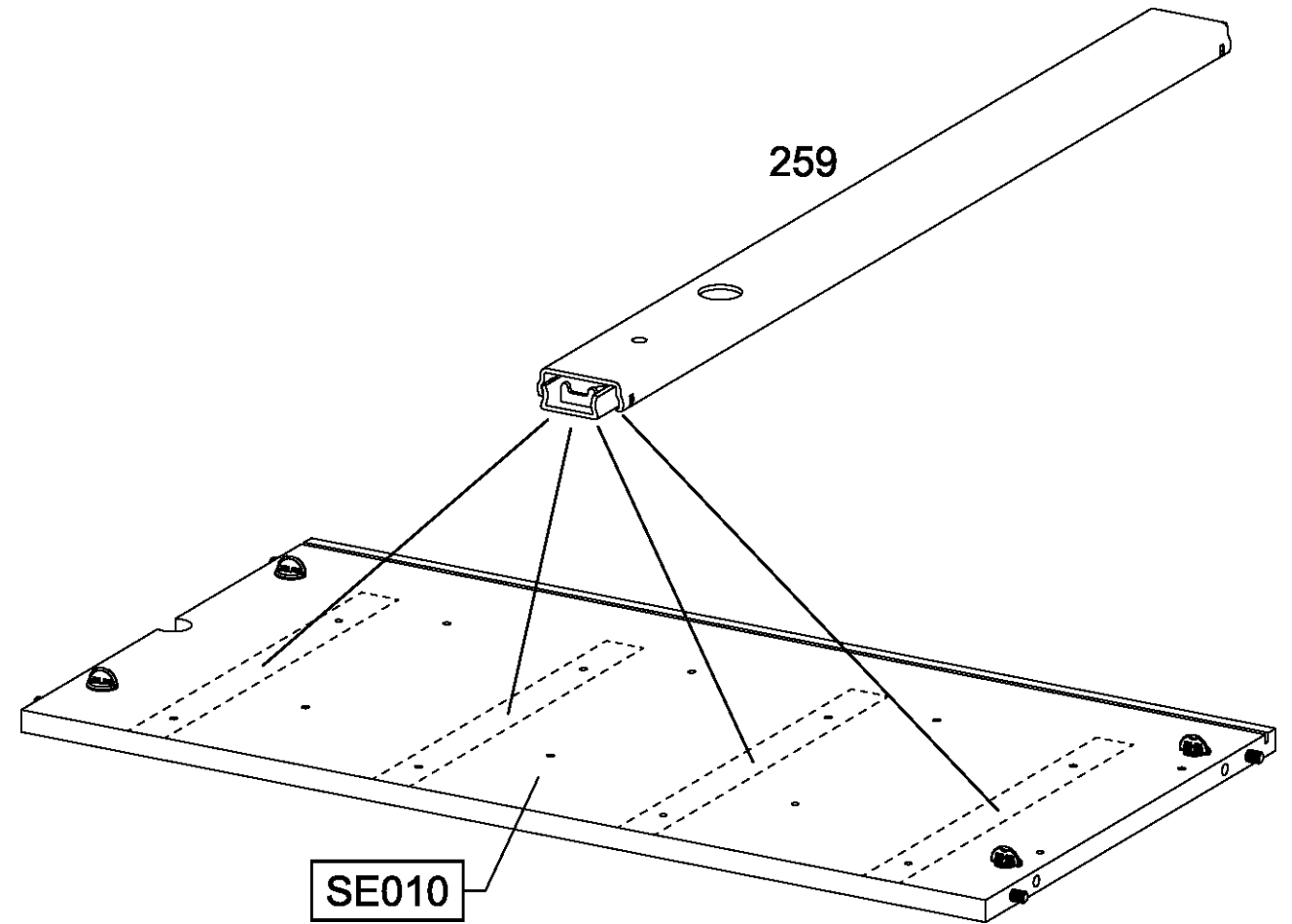
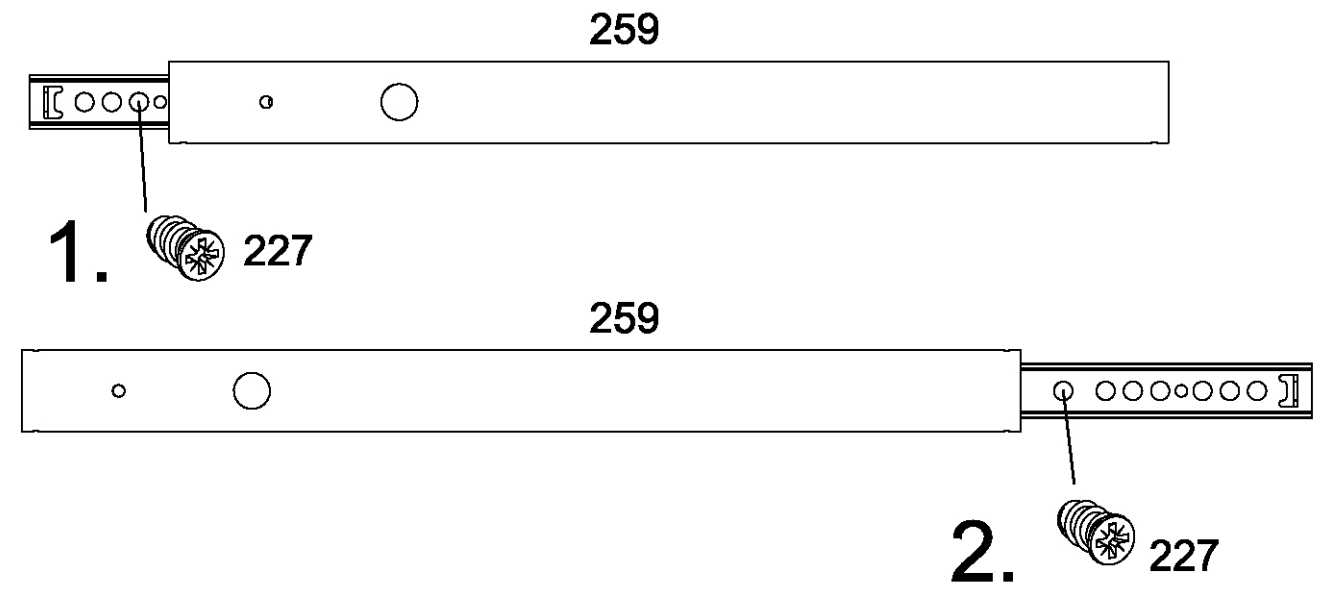
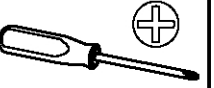
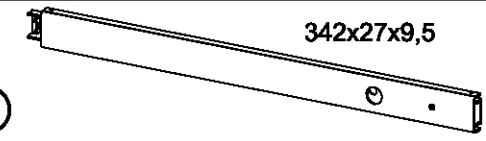
8x 1188



6

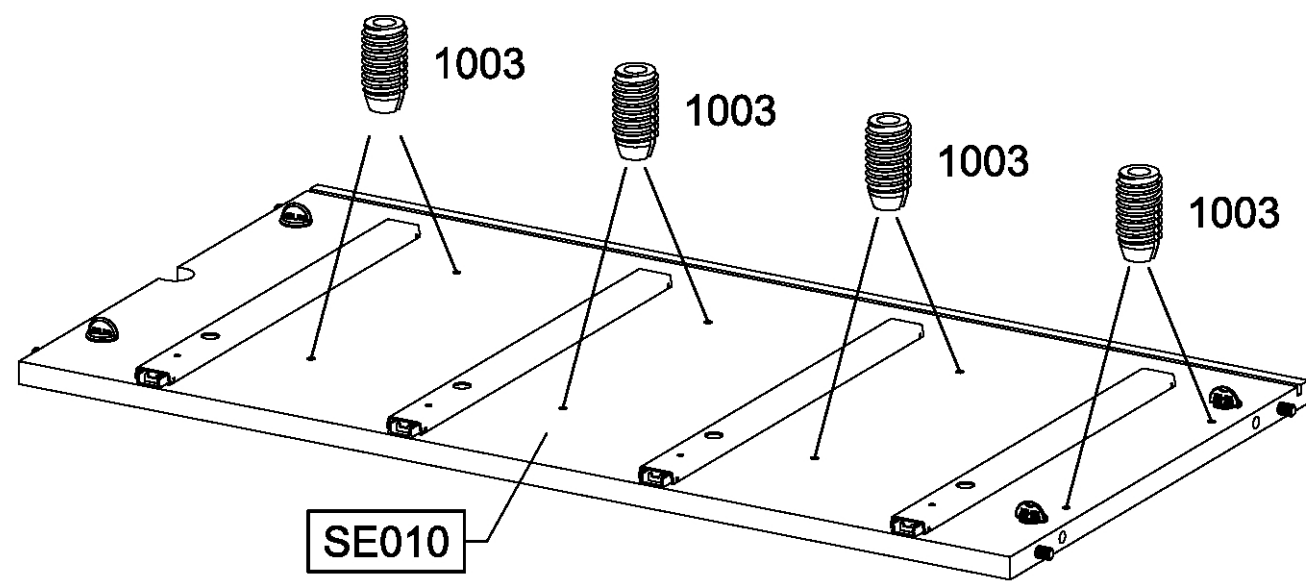
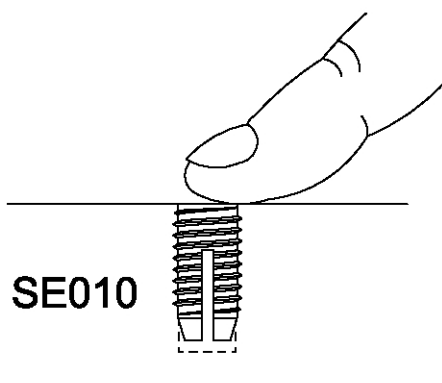
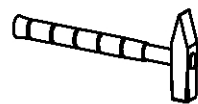
8x 227 6x10,5

4x 259



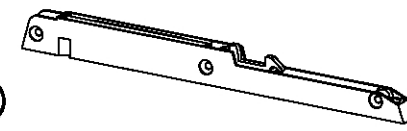
7

8x 1003 6x12

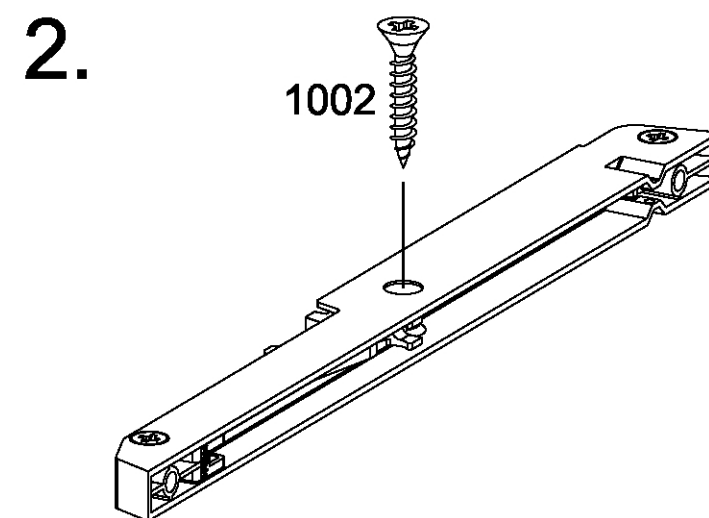
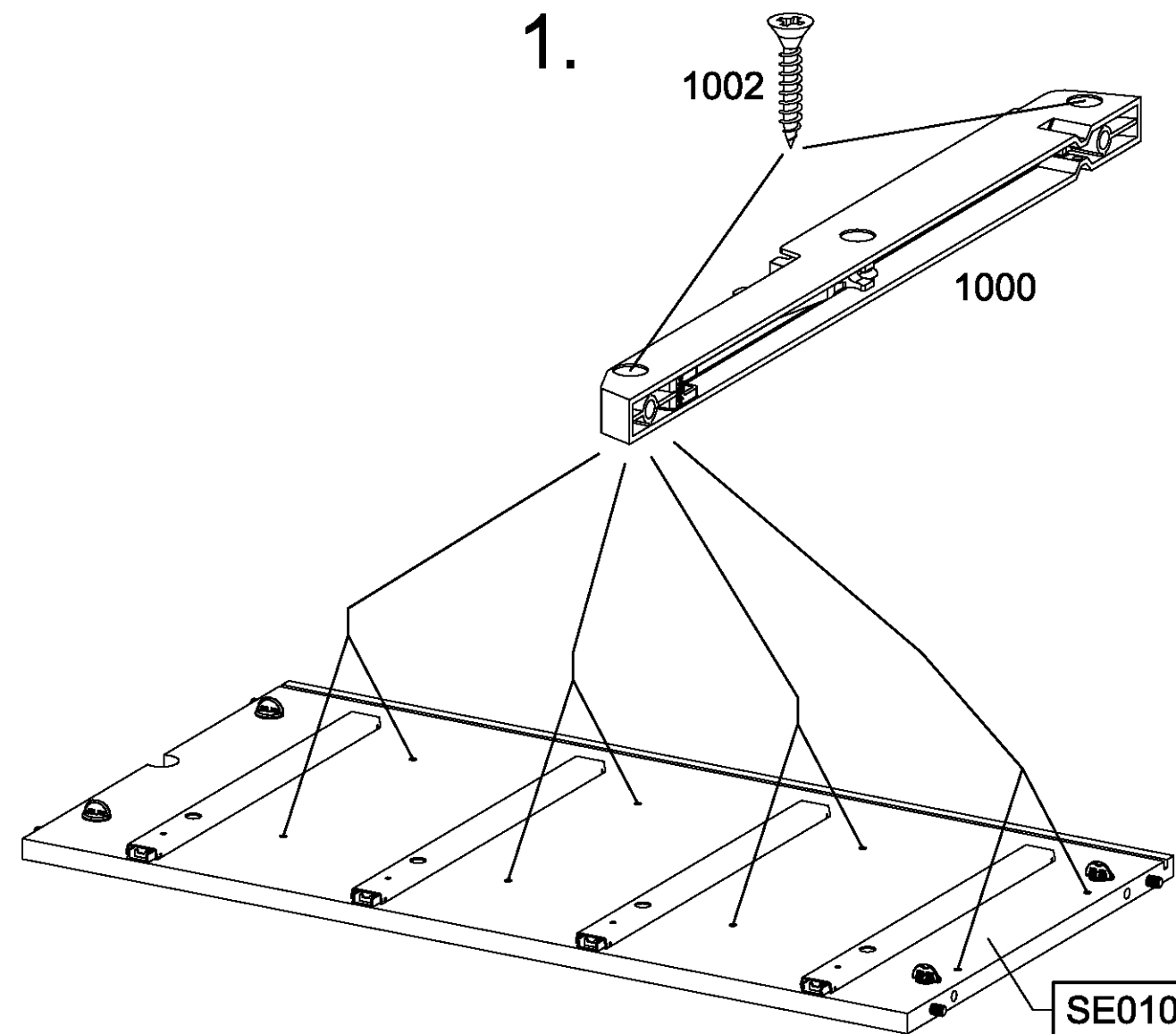
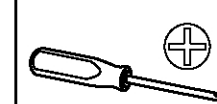


8

4x 1000



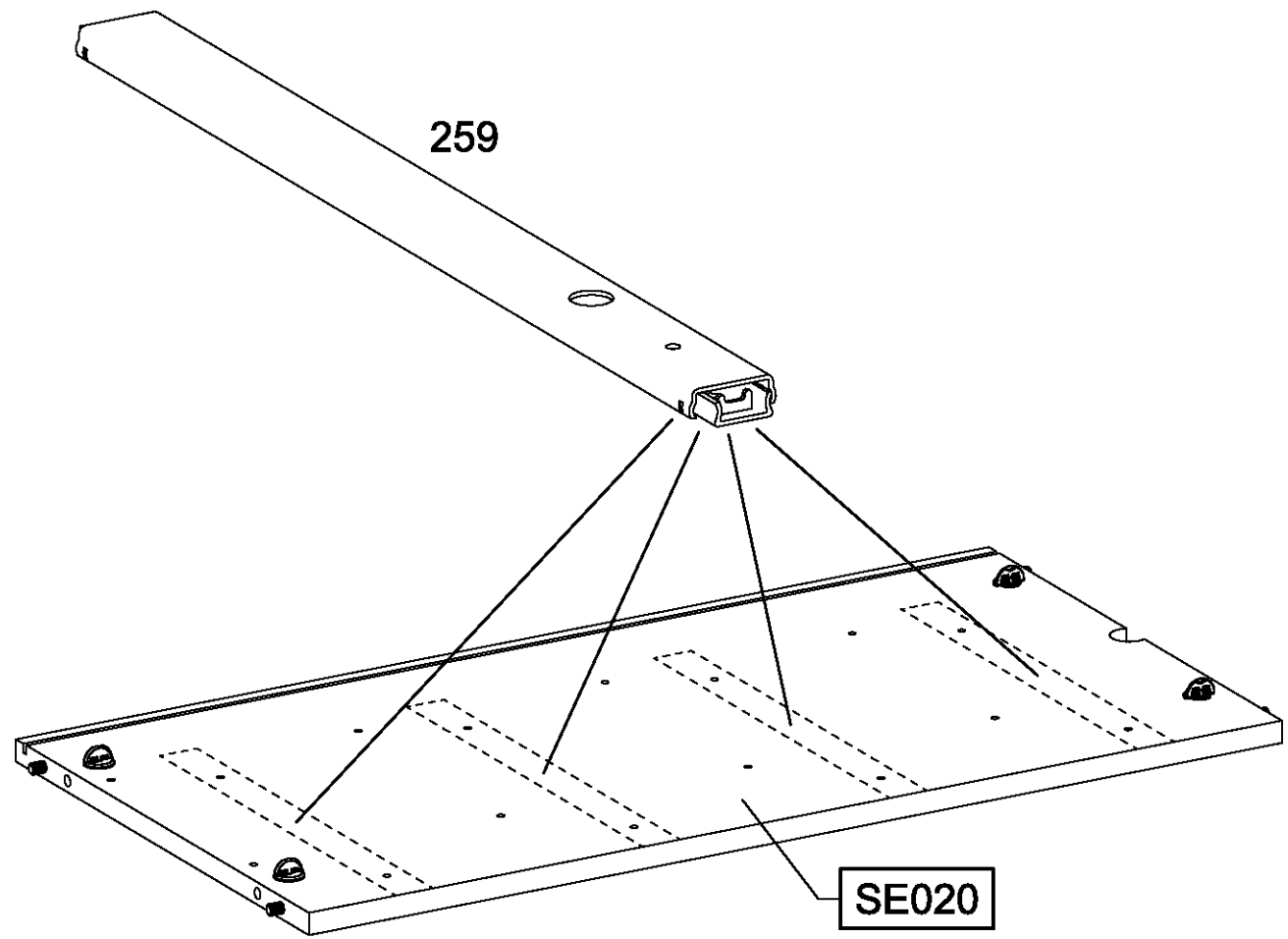
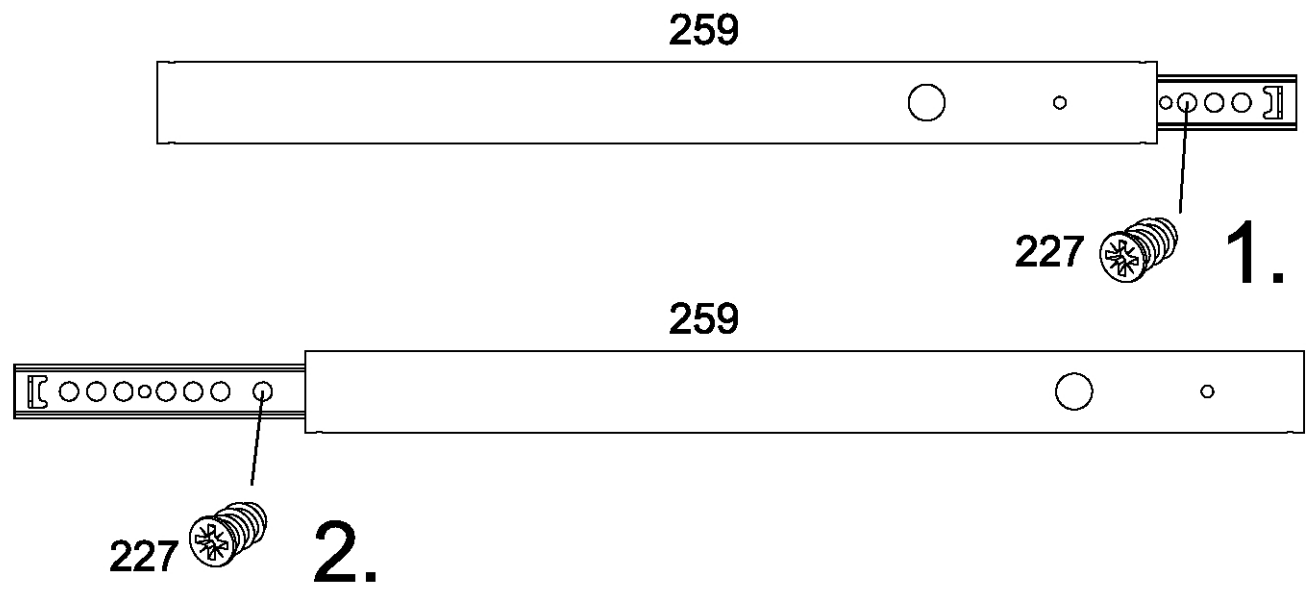
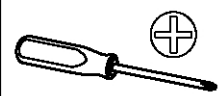
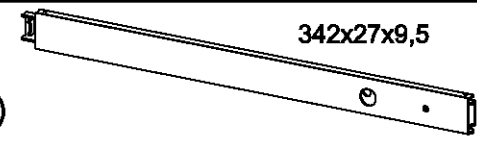
12x 1002 3,5x20



9

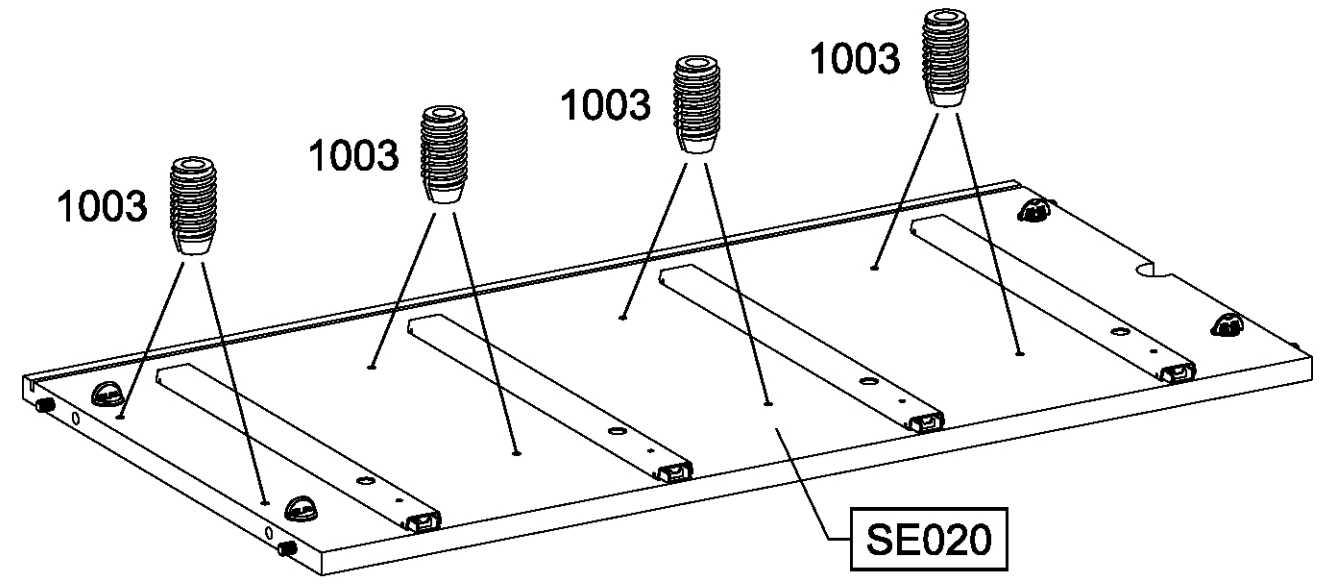
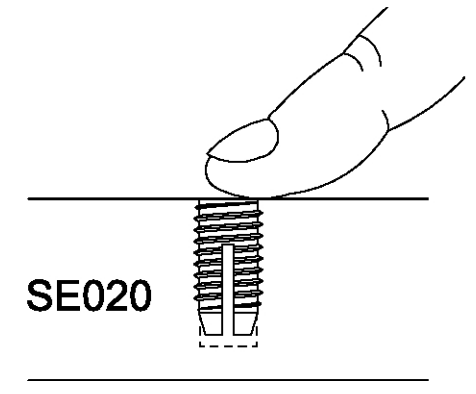
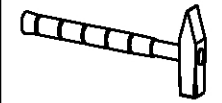
8x 227 6x10,5

4x 259



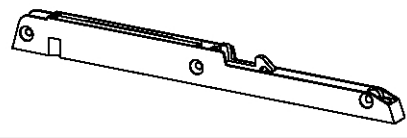
10

8x 1003 6x12

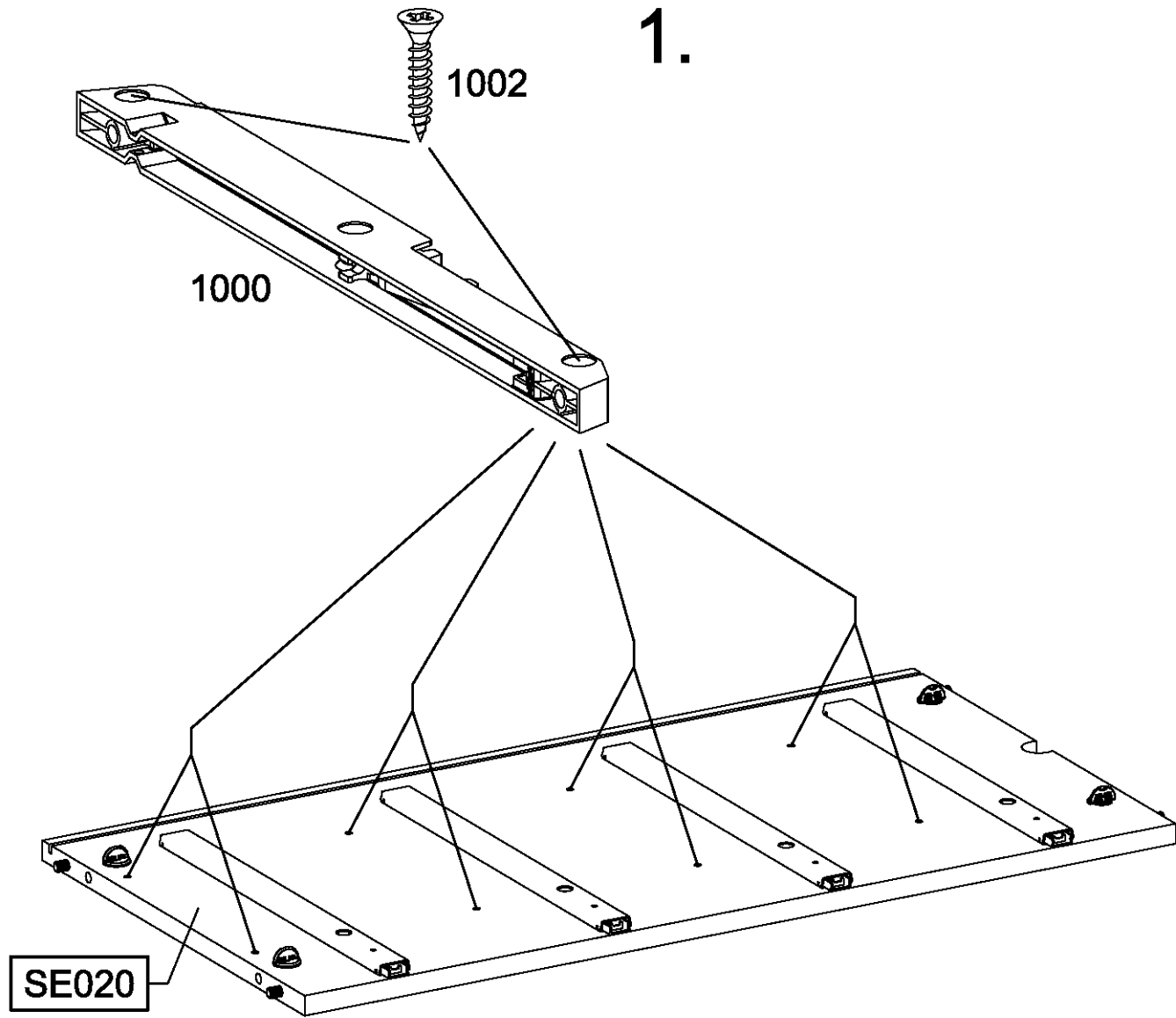
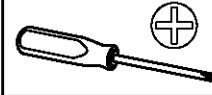
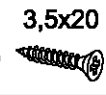


11

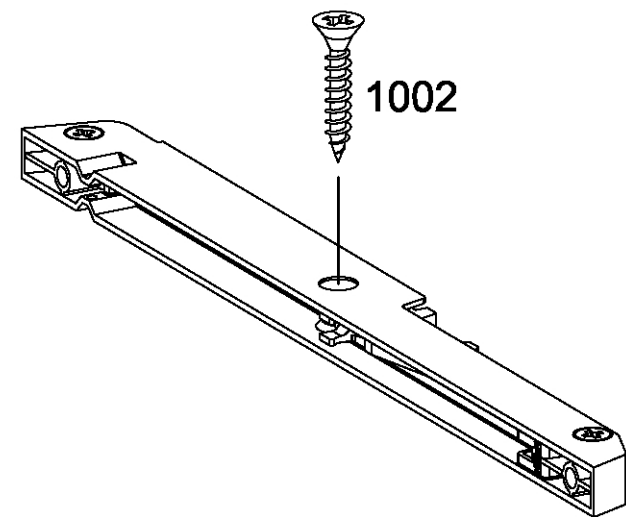
4x 1000



12x 1002

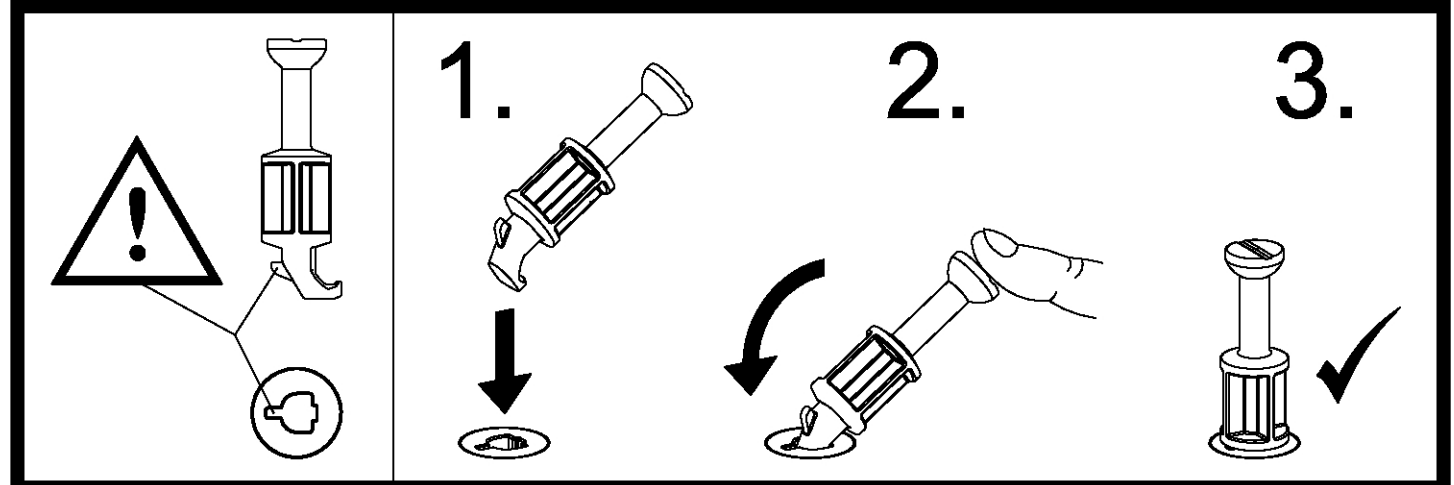
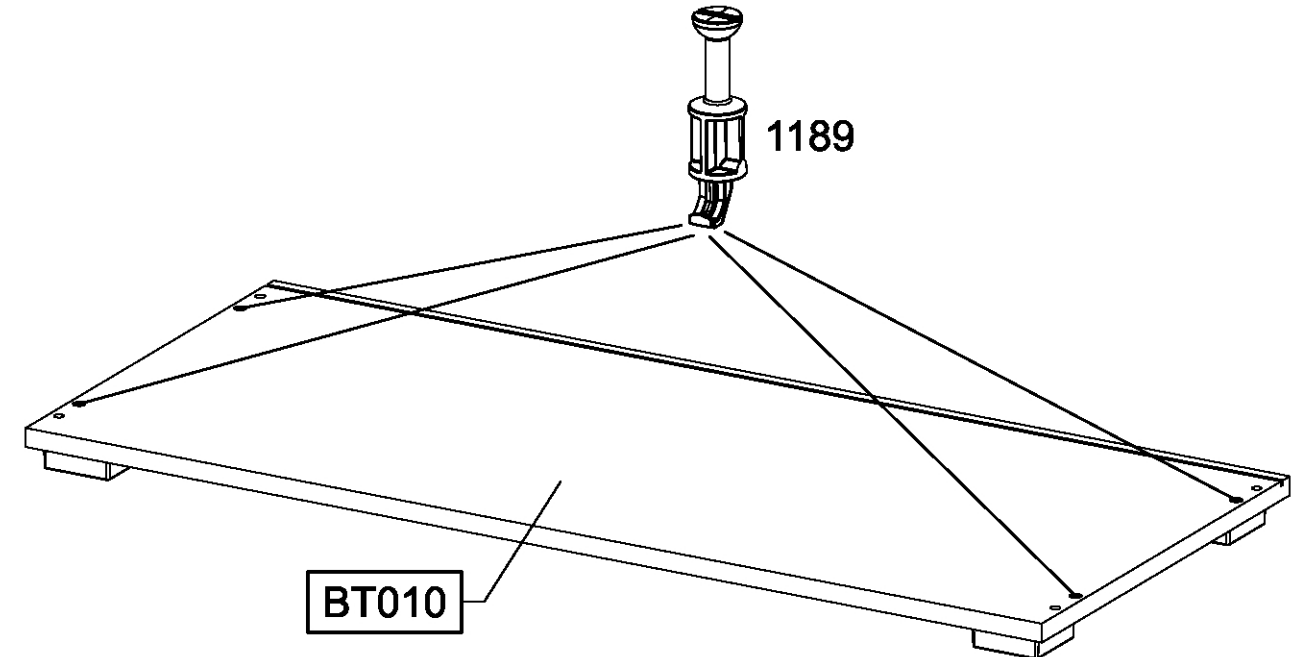


2.

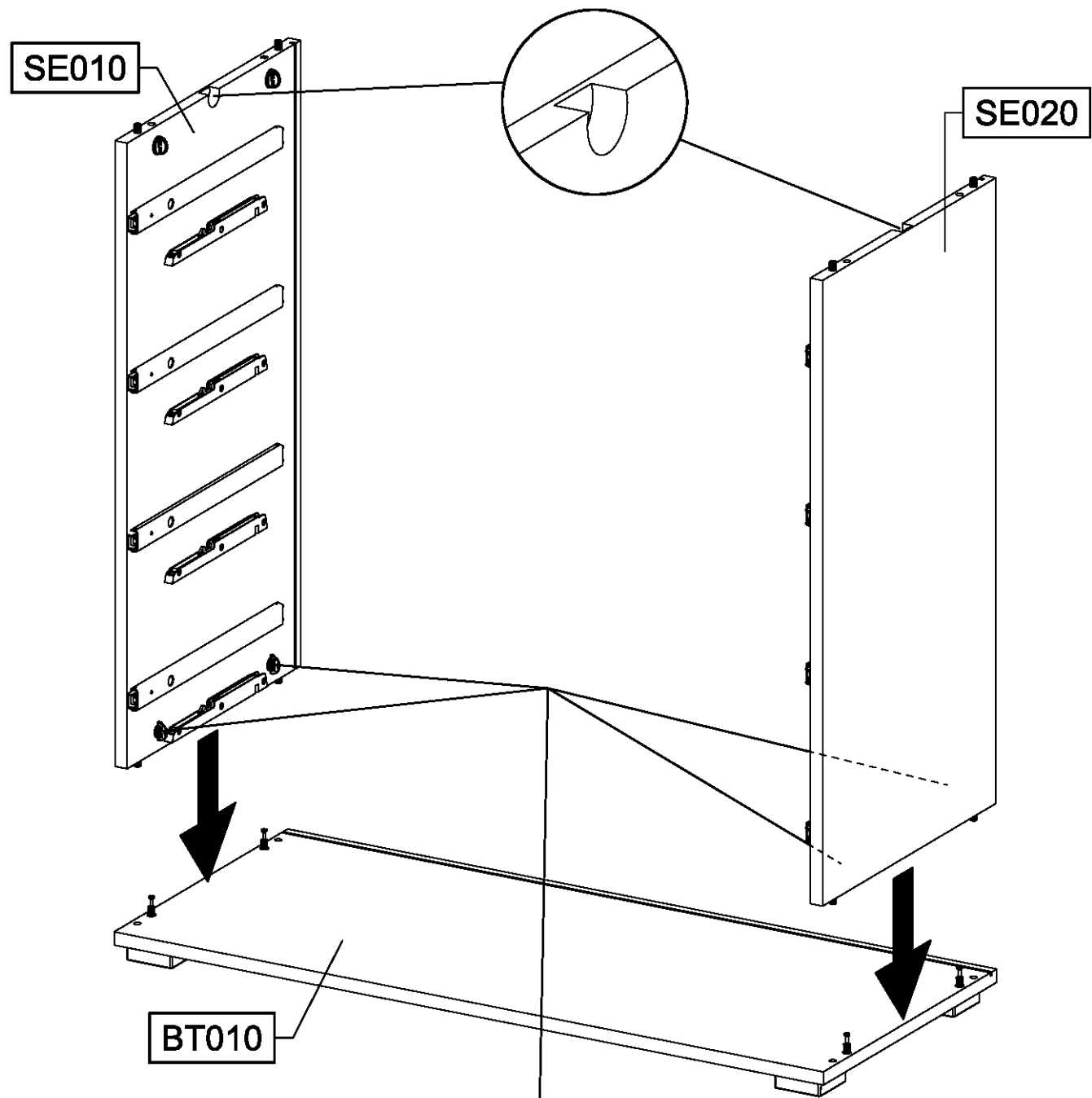


12

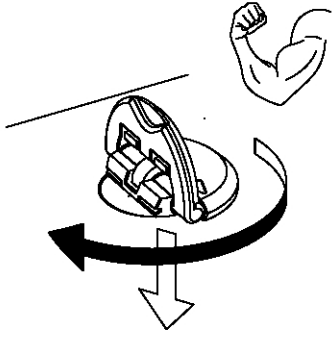
4x 1189



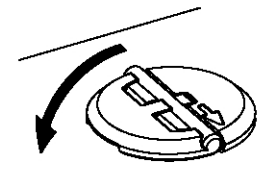
13



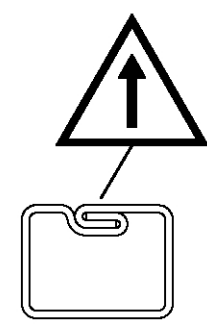
1.



2.



14

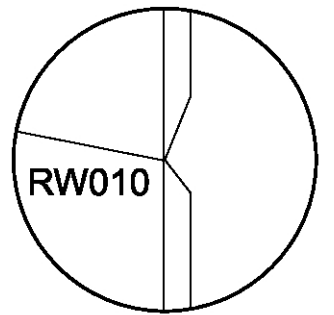
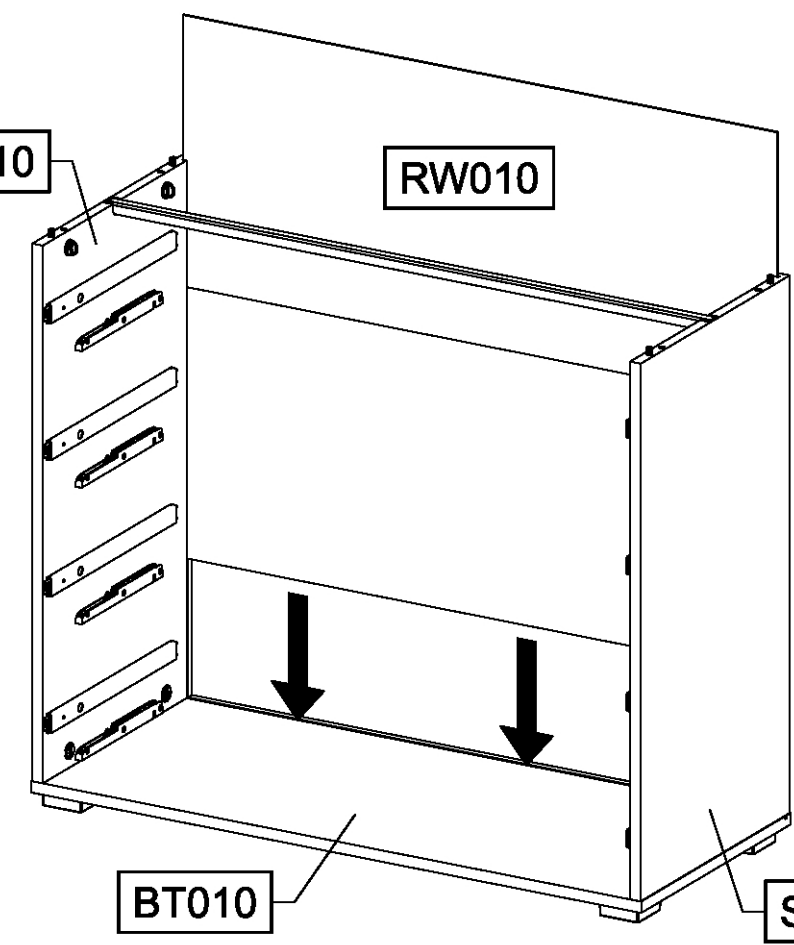
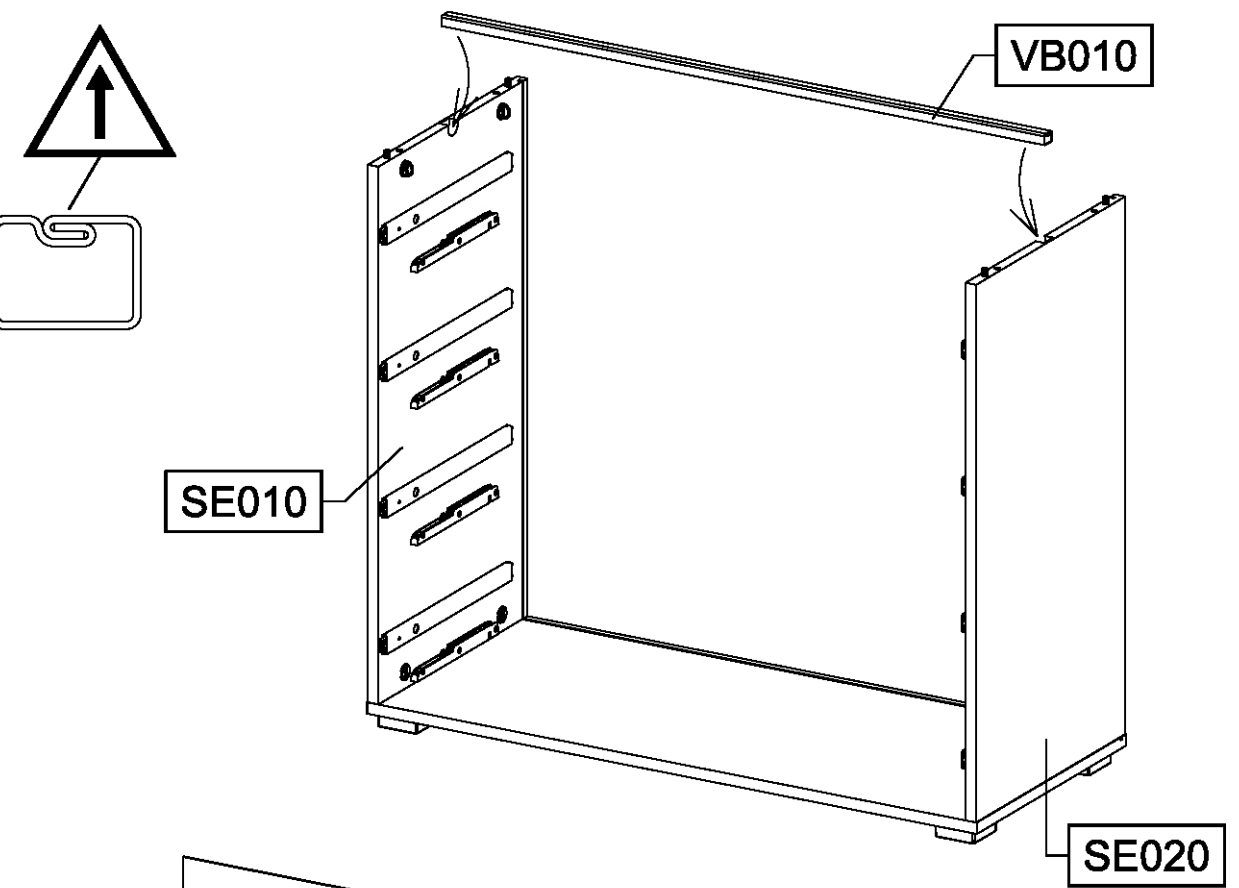


SE010

RW010

VB010

SE020

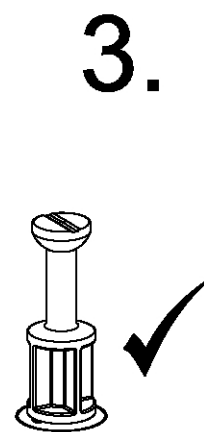
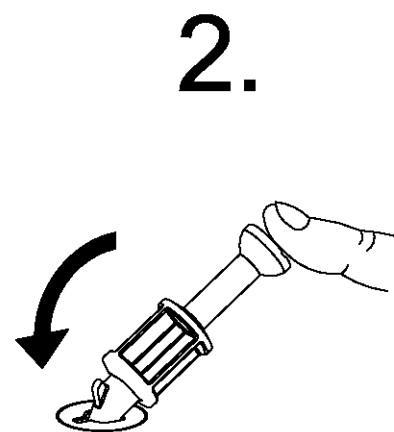
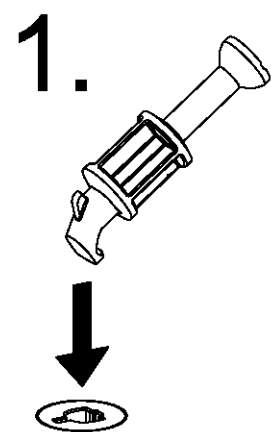
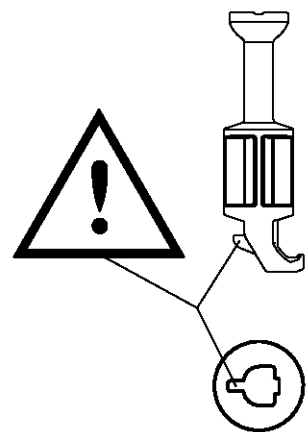
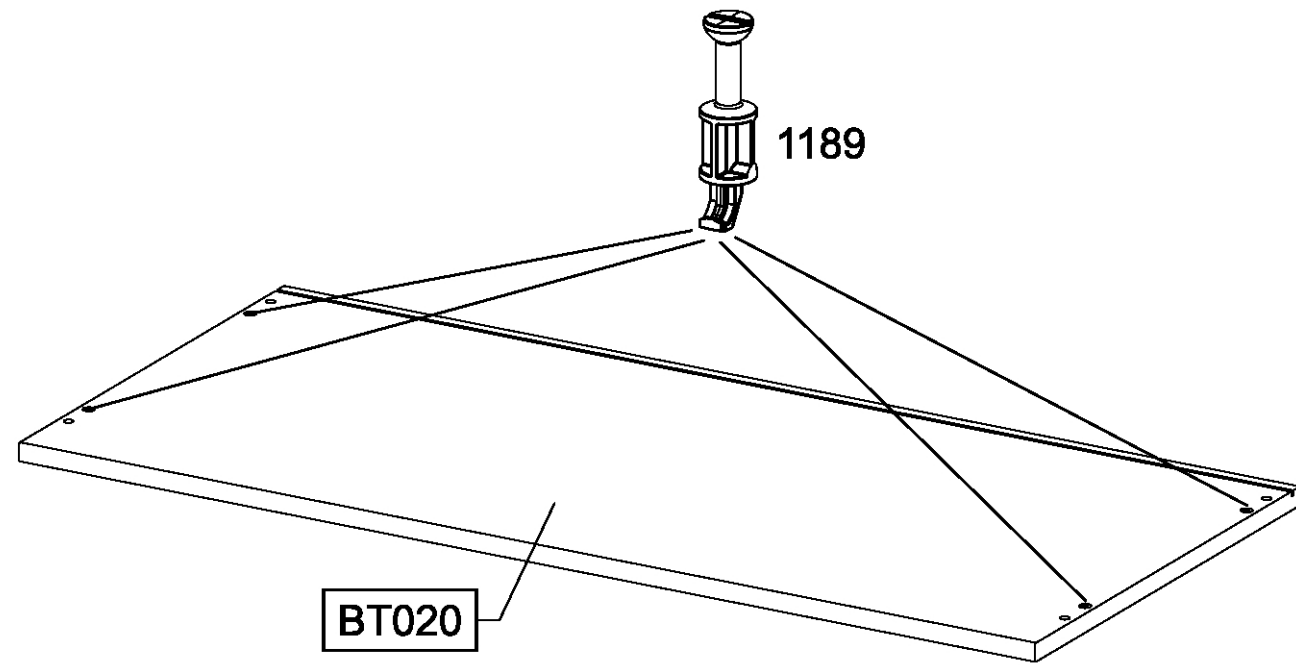


BT010

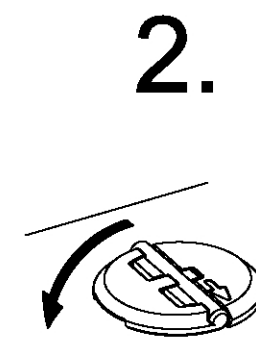
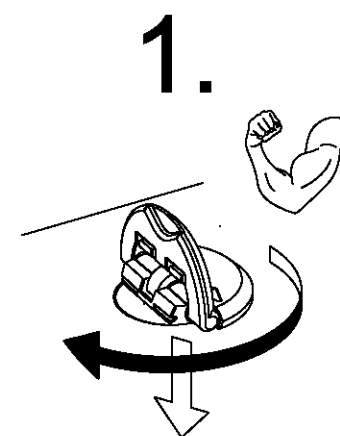
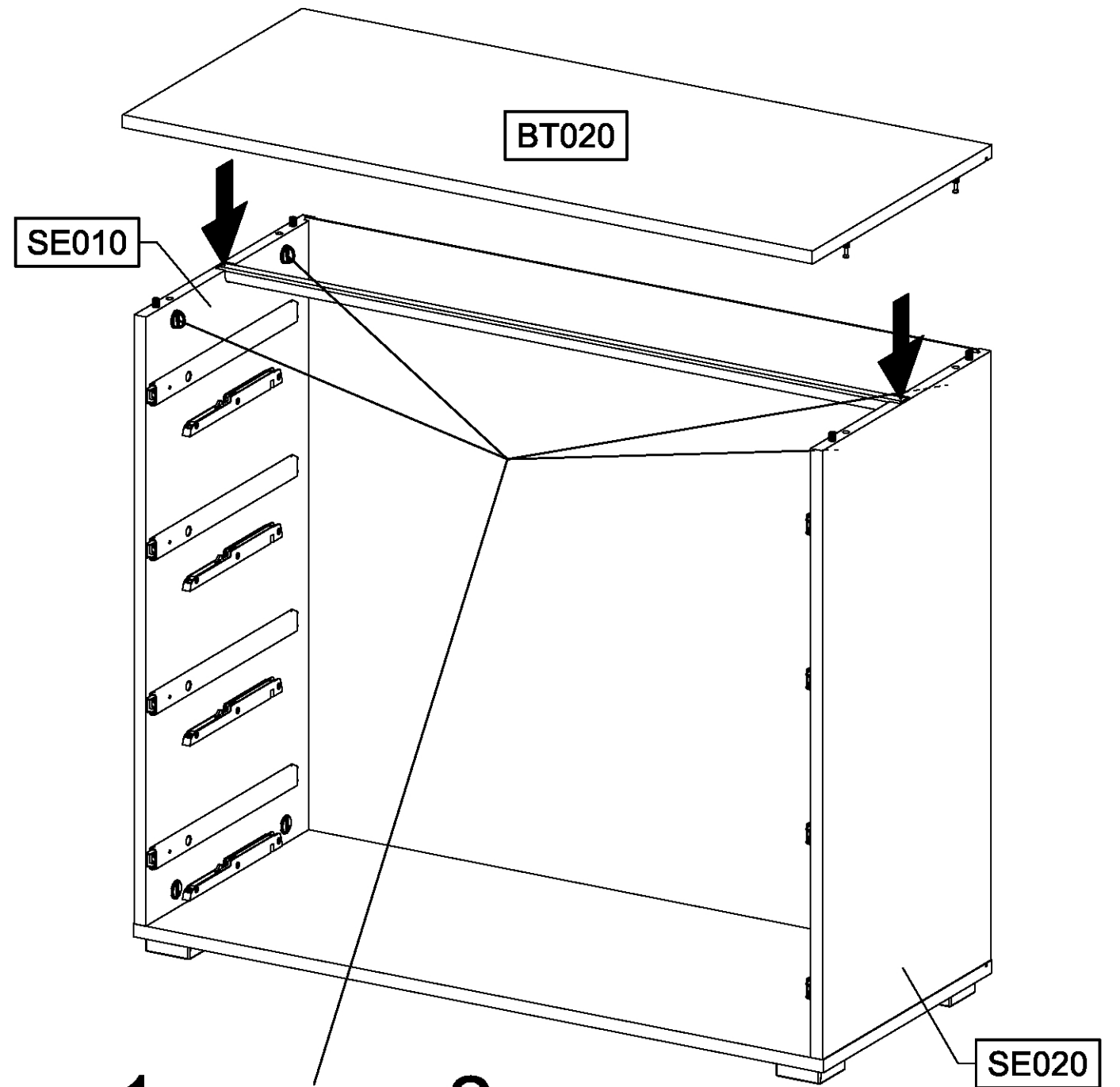
SE020

15

4x 1189



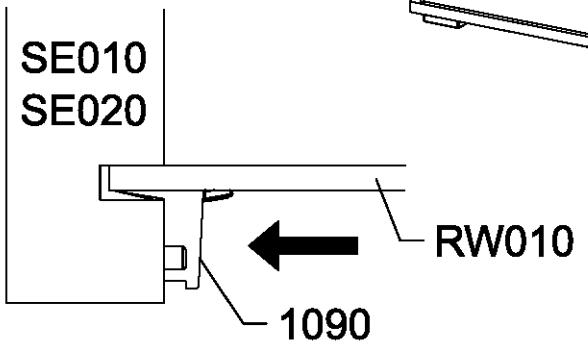
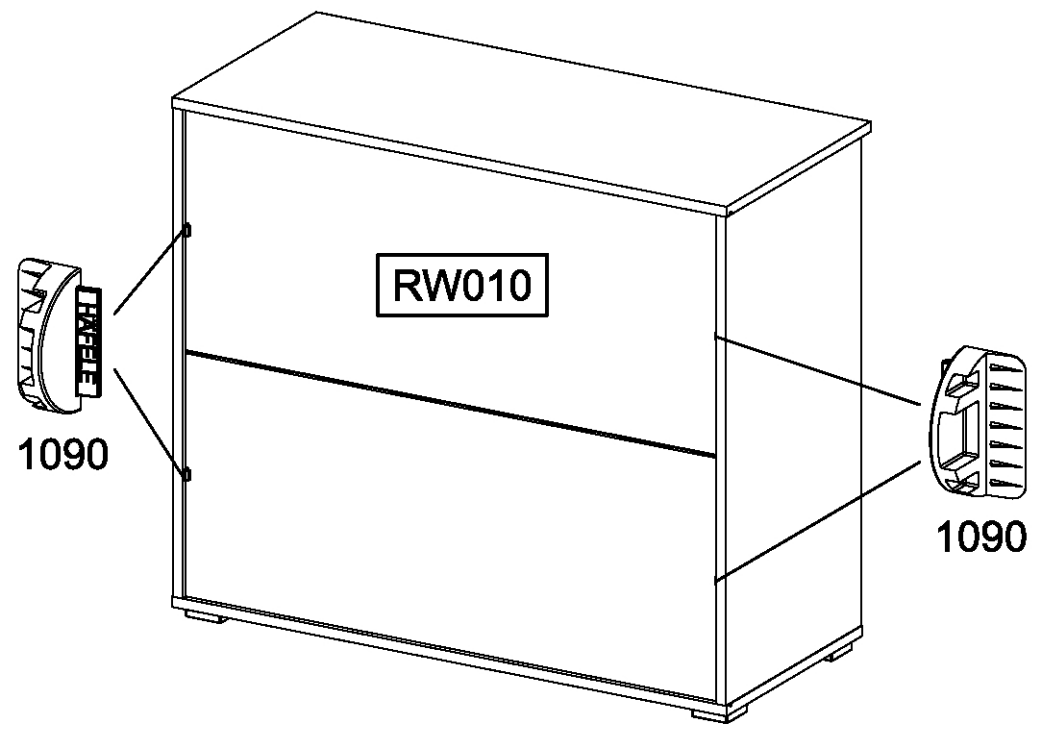
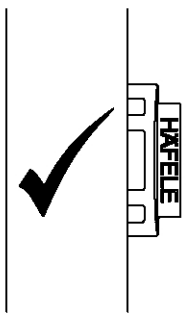
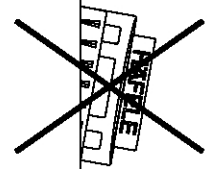
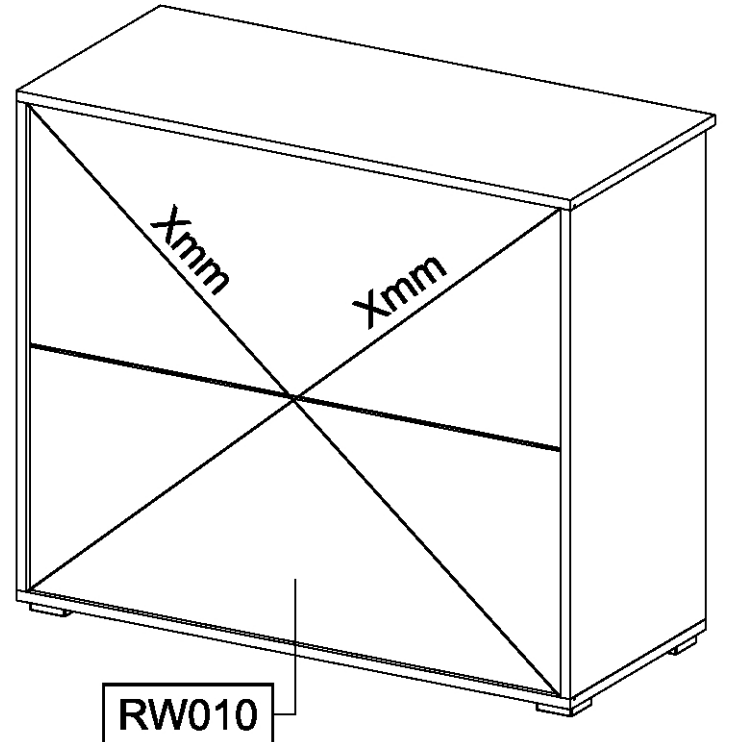
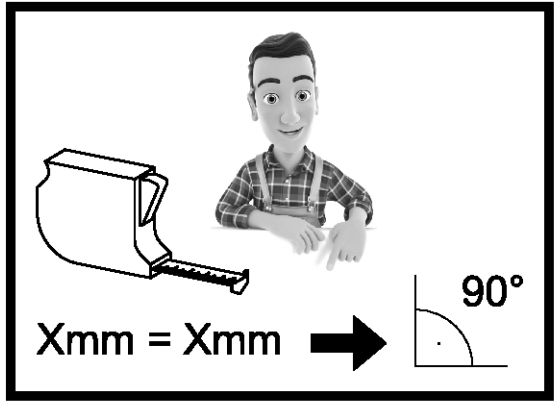
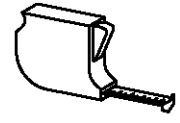
16



17

4x

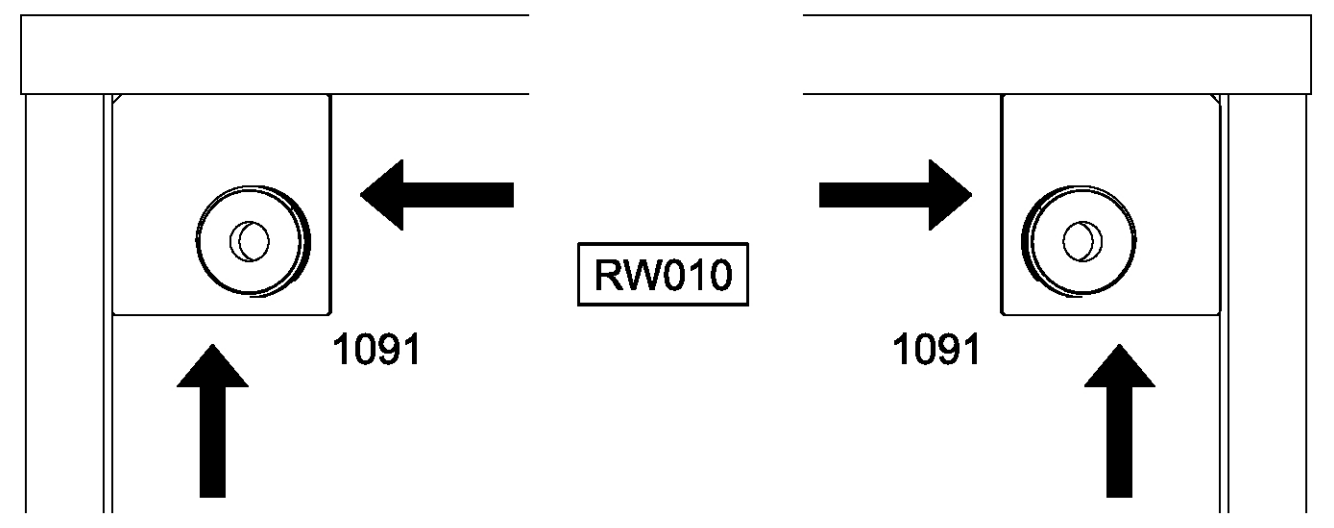
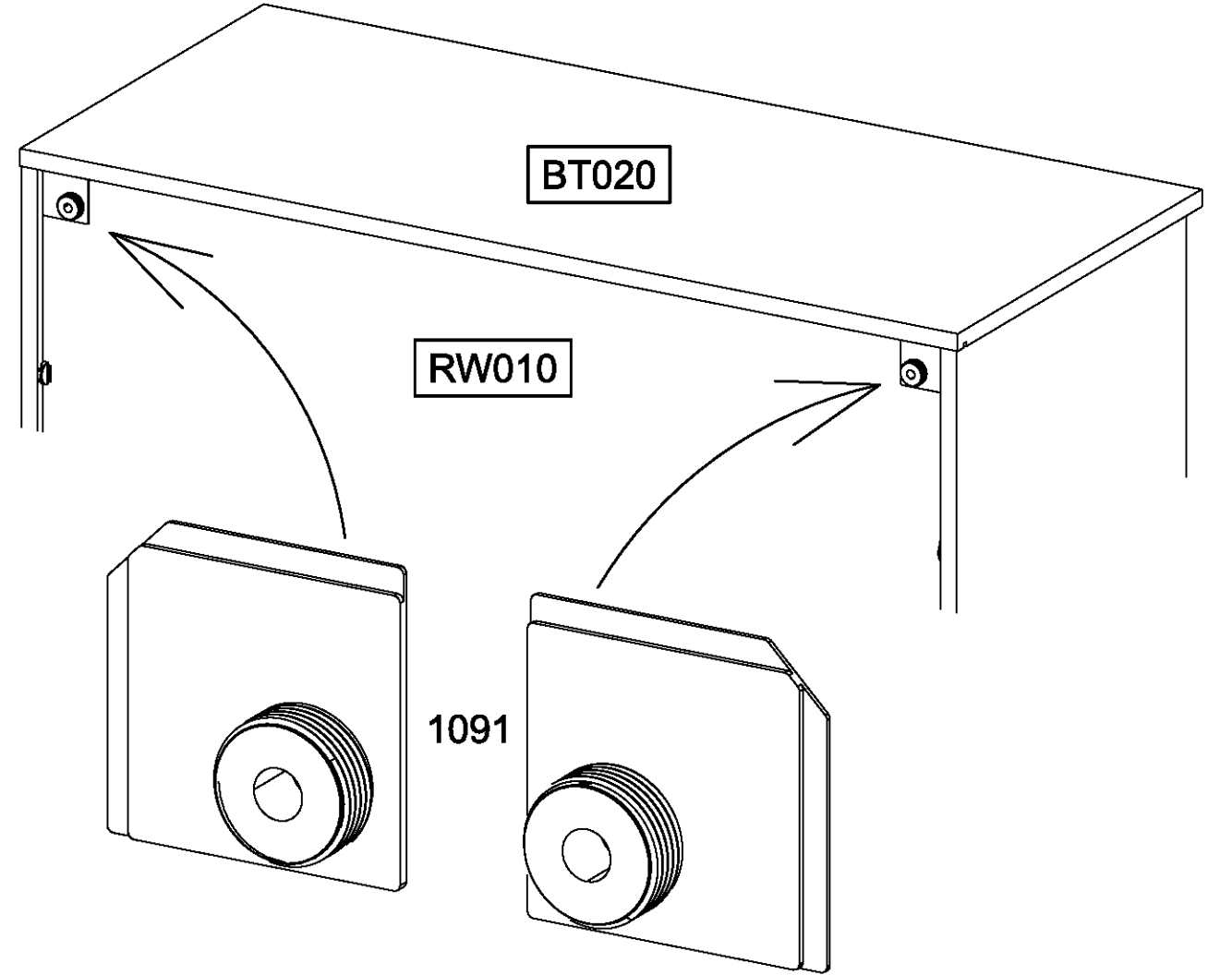
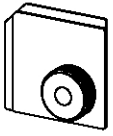
1090

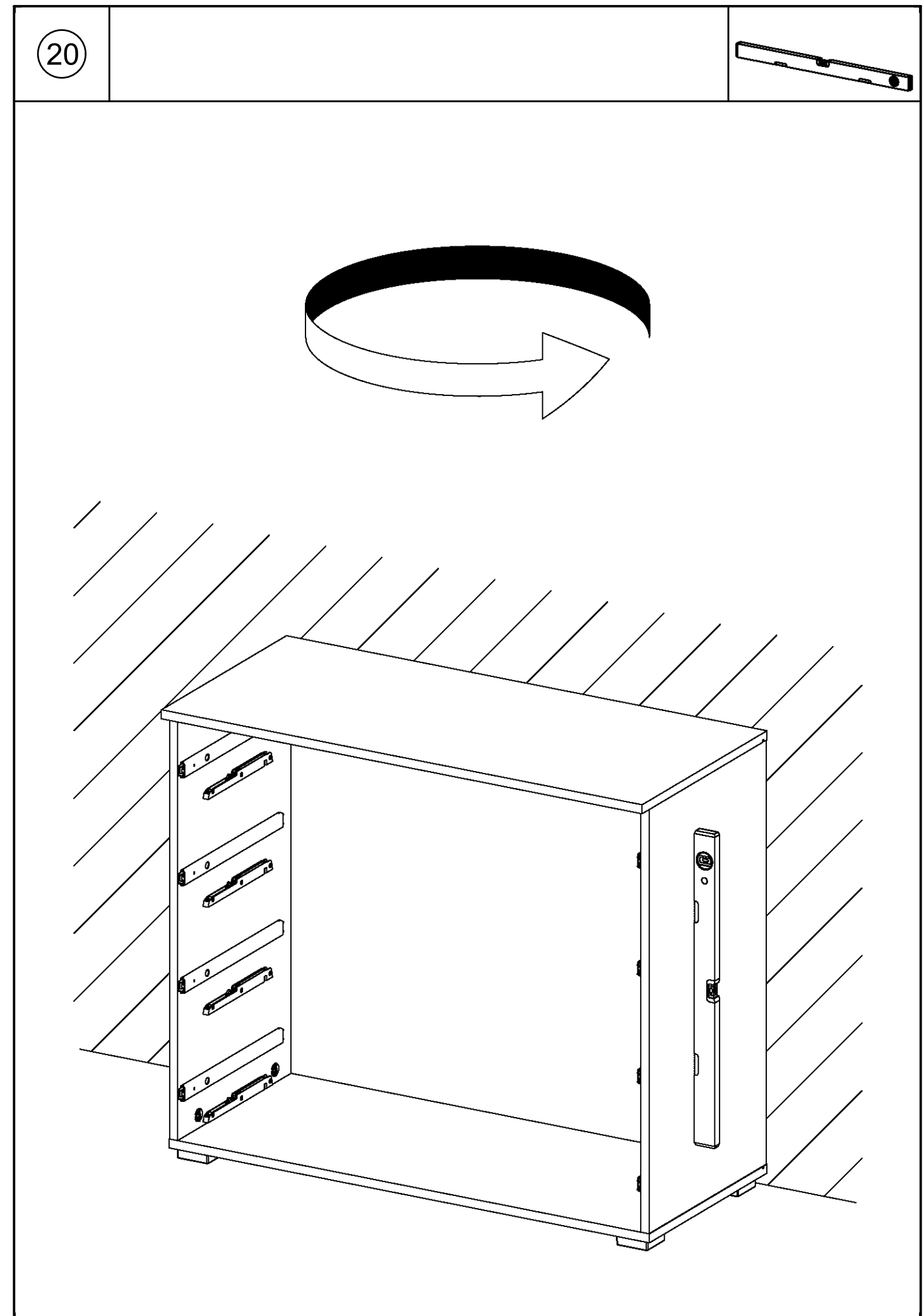
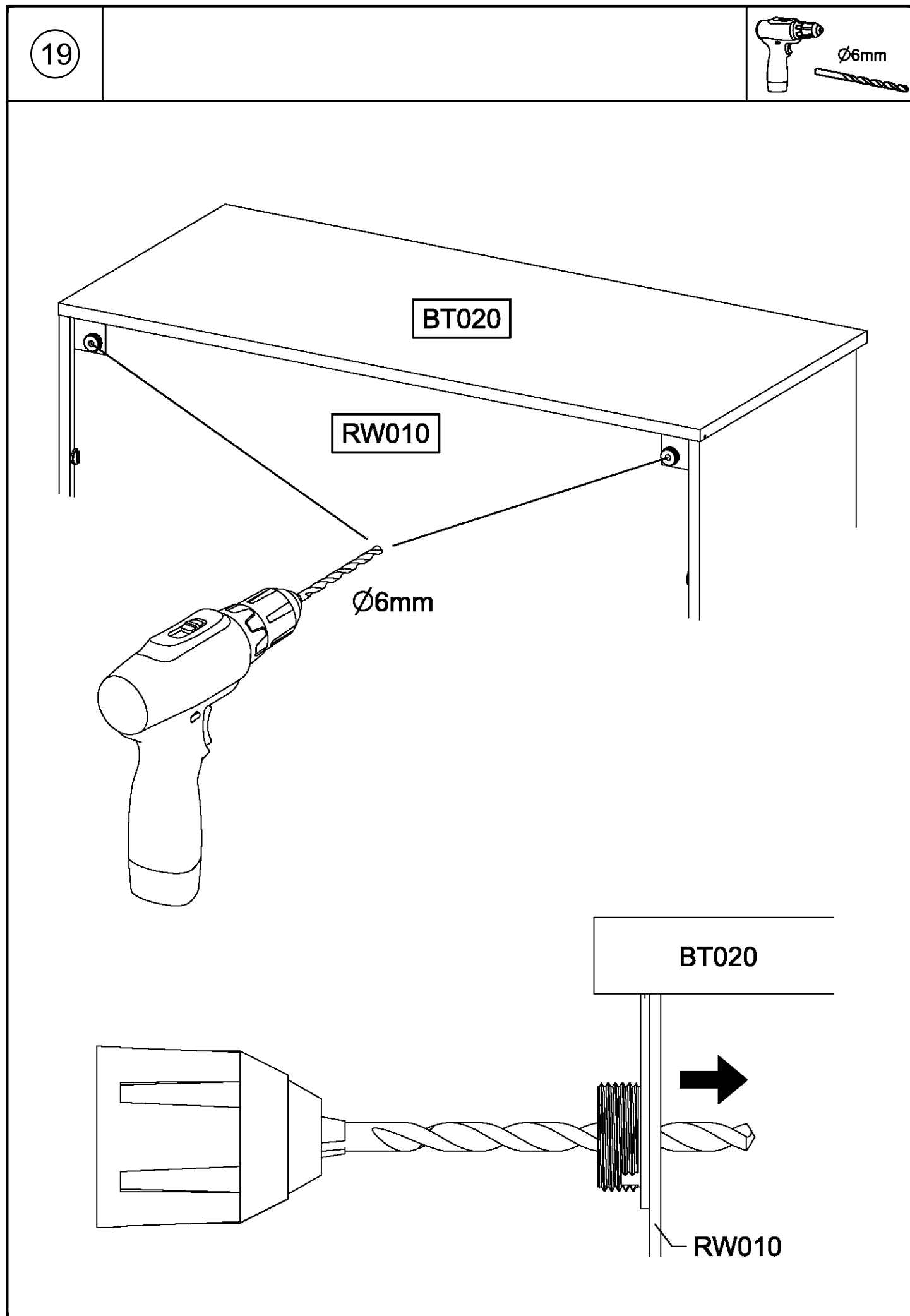


18

2x

1091





21

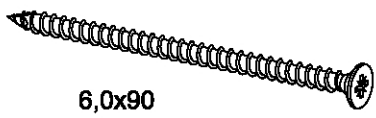
2x

1093

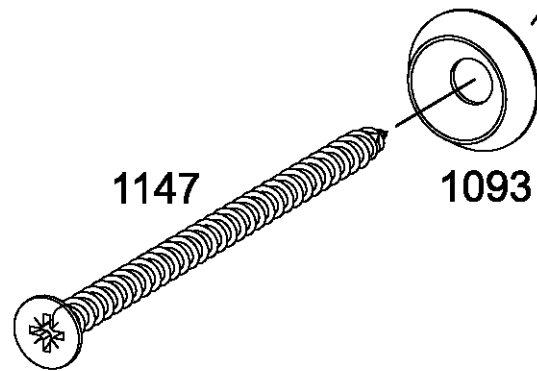
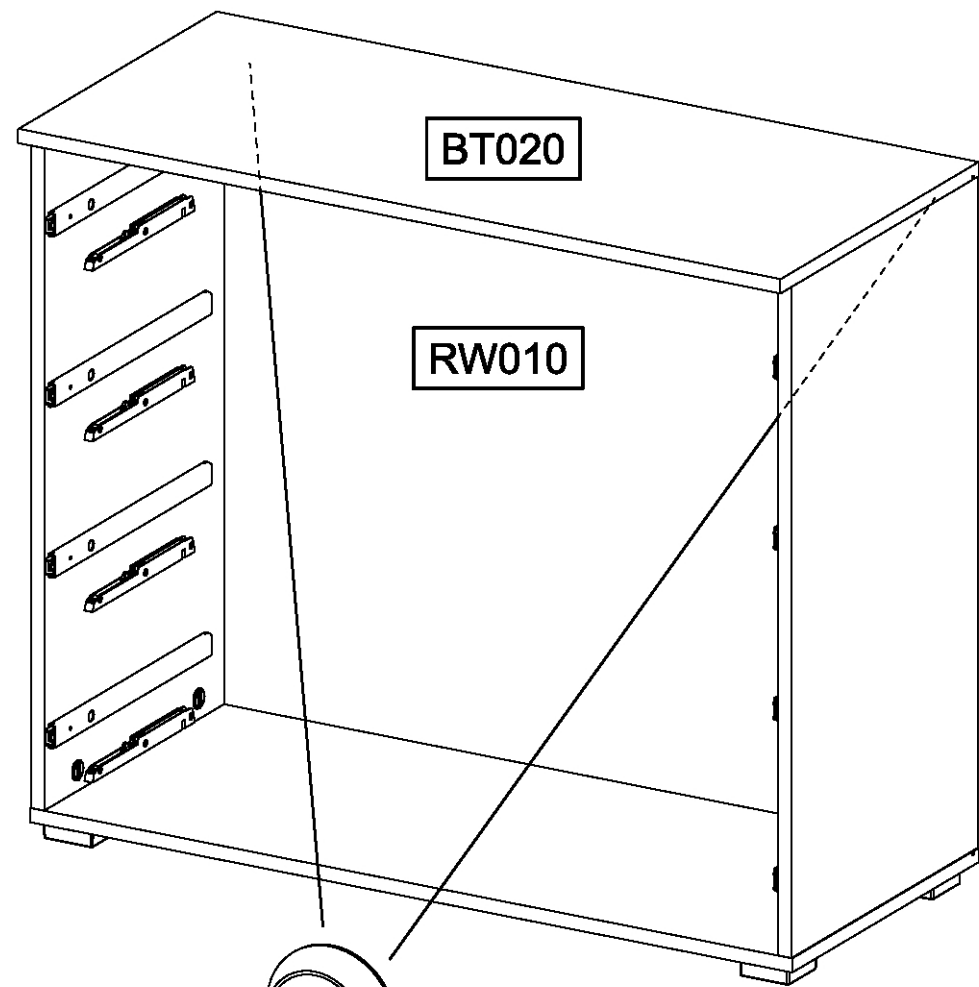


2x

1147

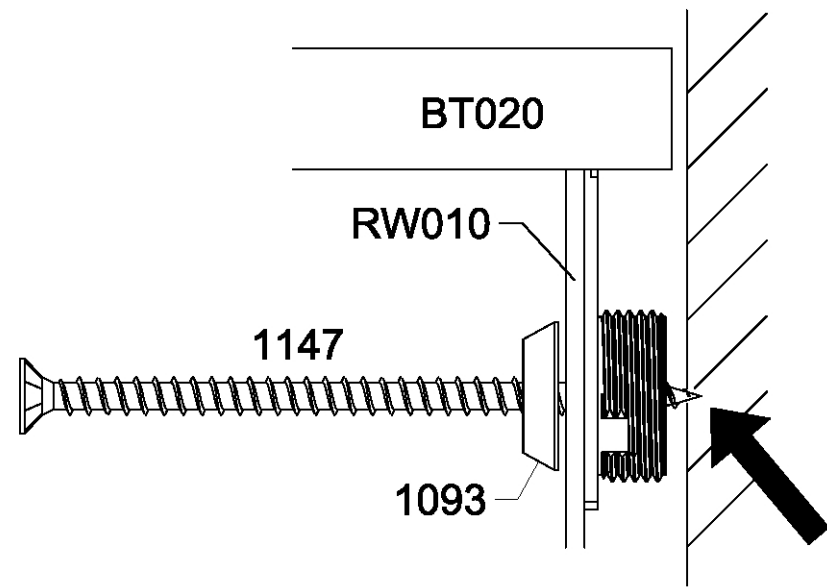


6,0x90



1147

1093



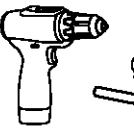
BT020

RW010

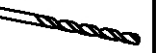
1147

1093

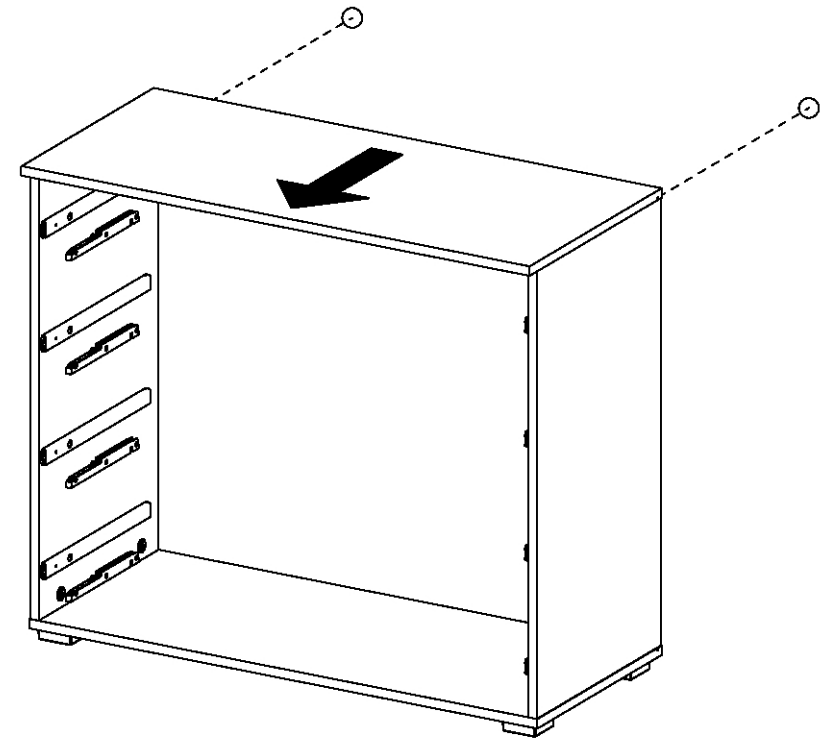
22



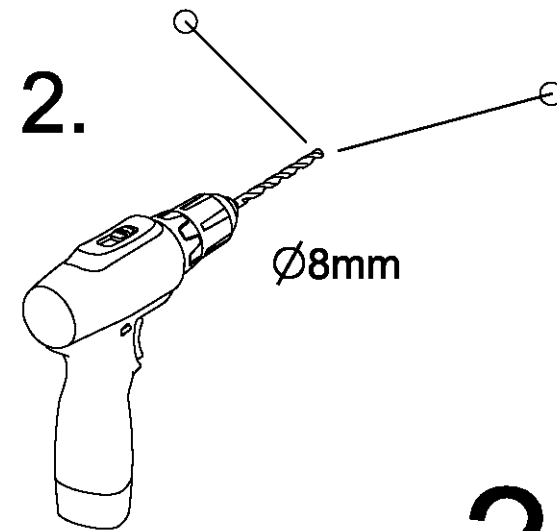
Ø8mm



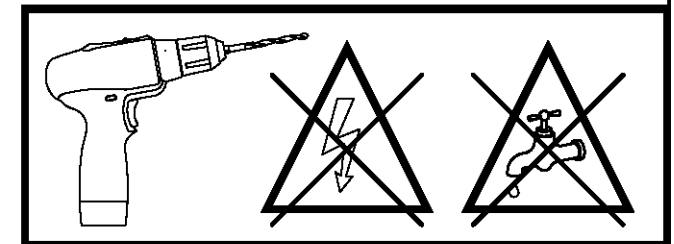
1.



2.

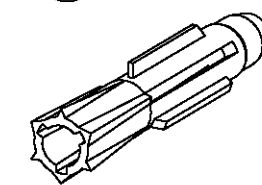
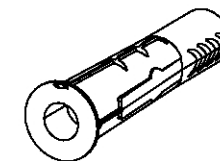
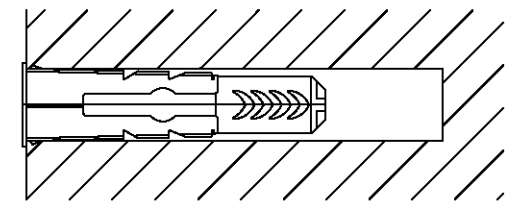


Ø8mm



?

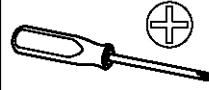
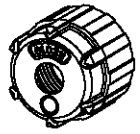
3.



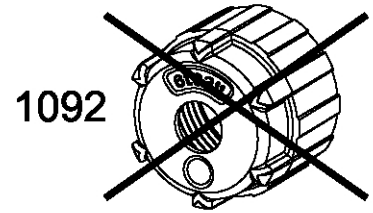
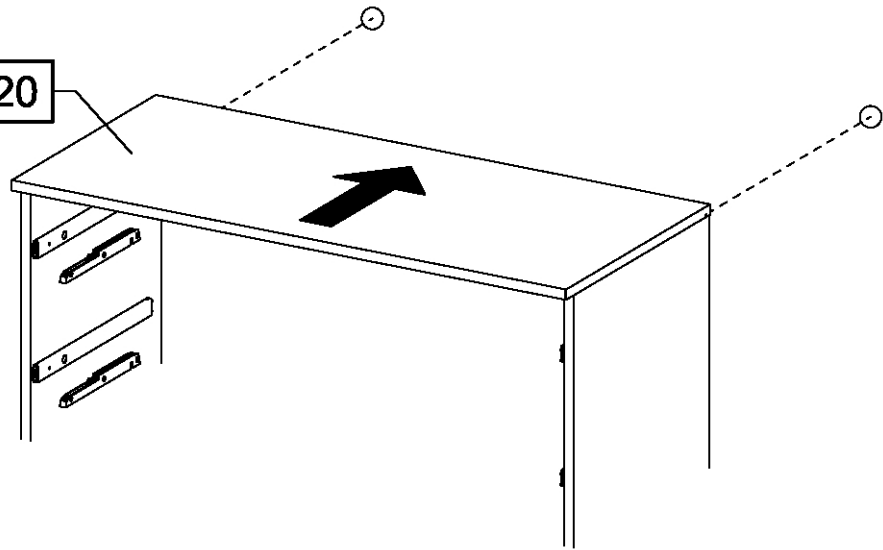
Ø8mm

23

2x 1092



BT020



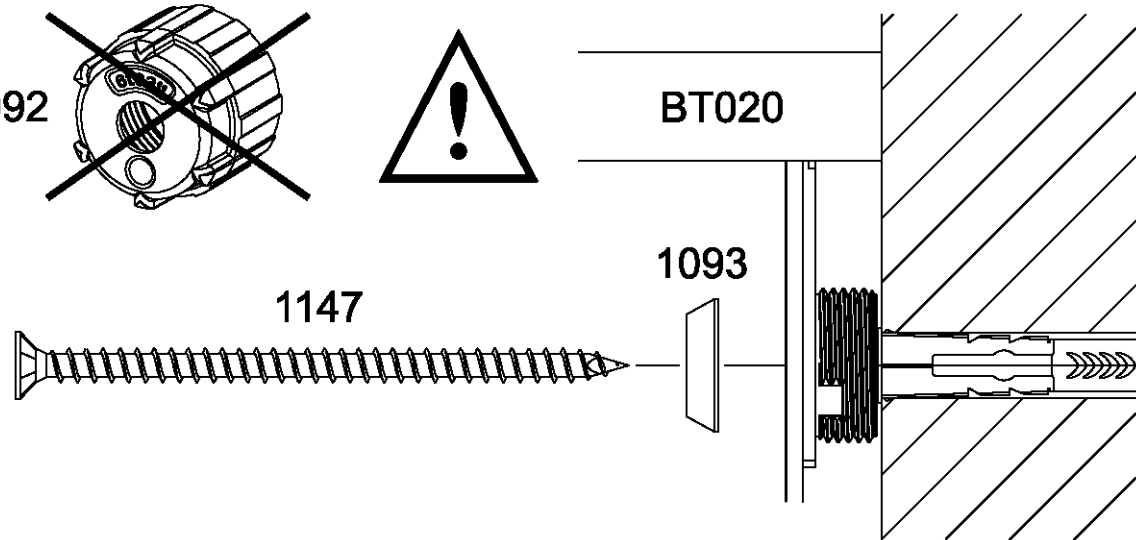
1092



BT020

1093

1147



10-15mm

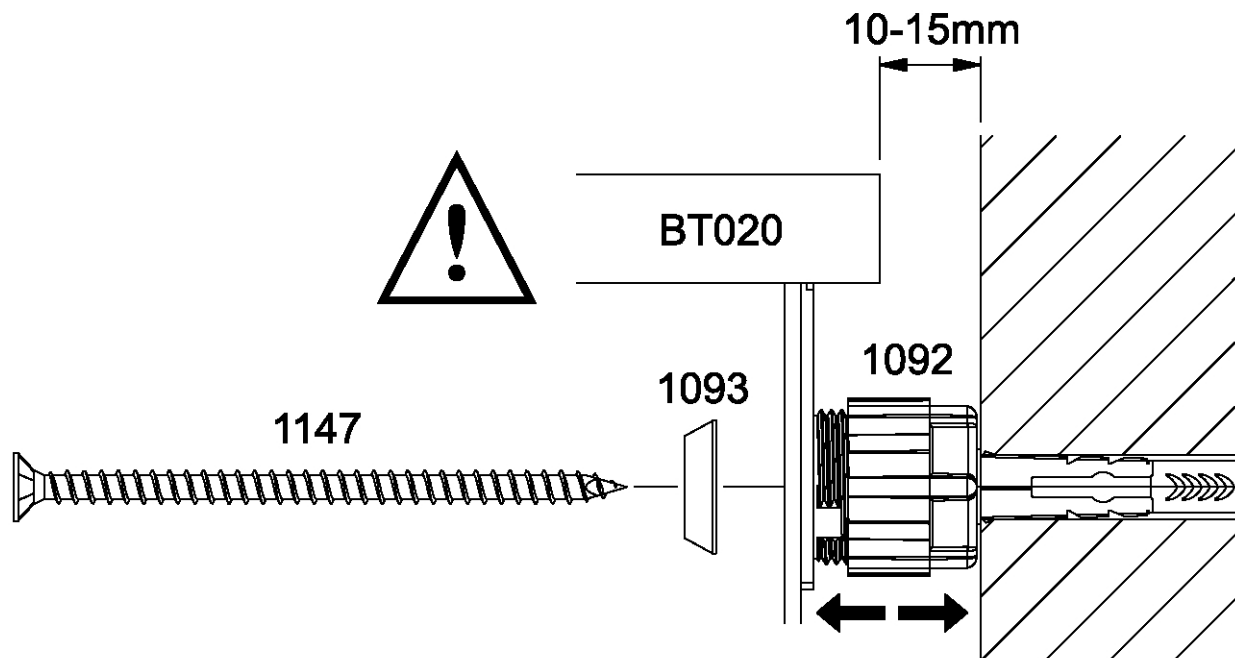


BT020

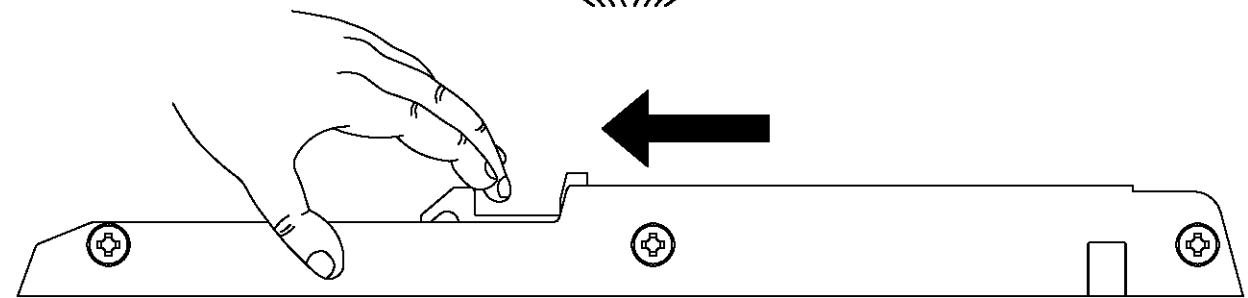
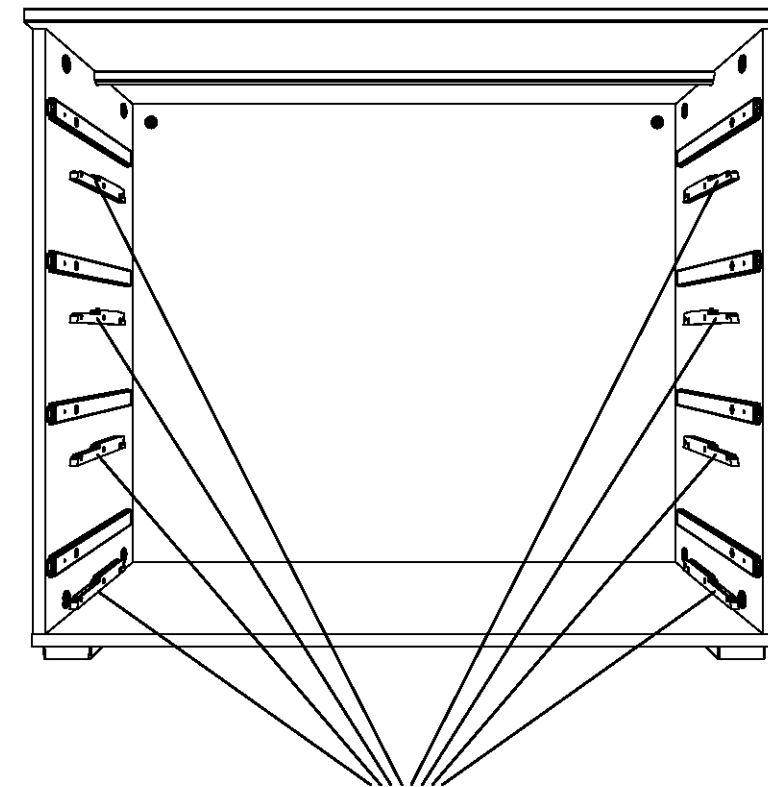
1093

1092

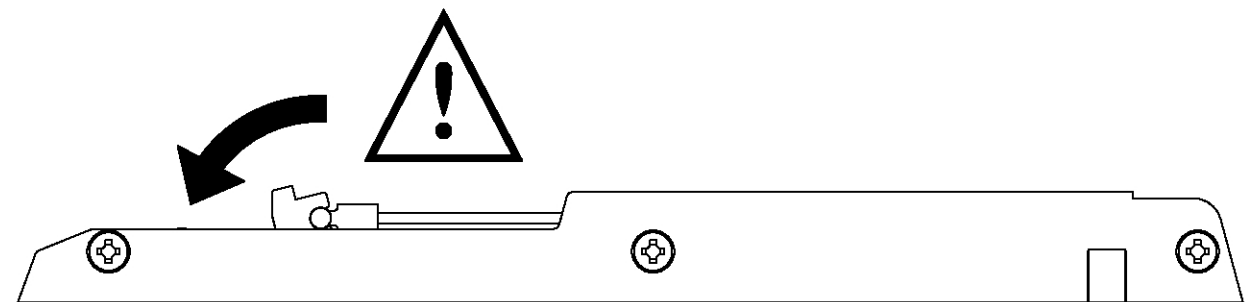
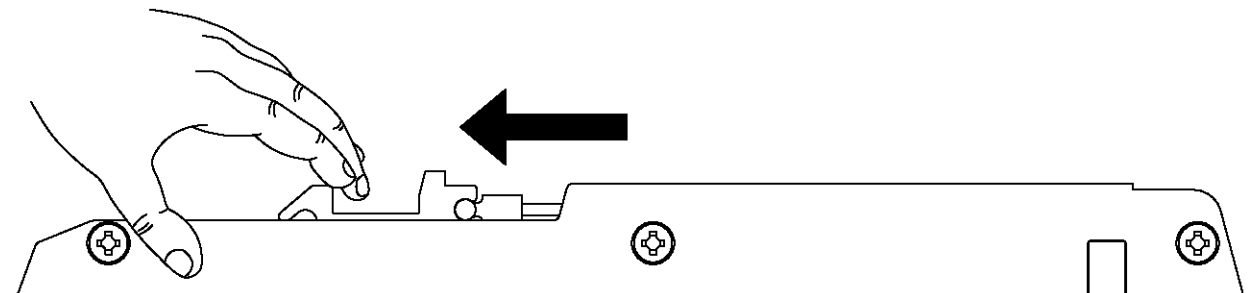
1147



24



1000



25

8x

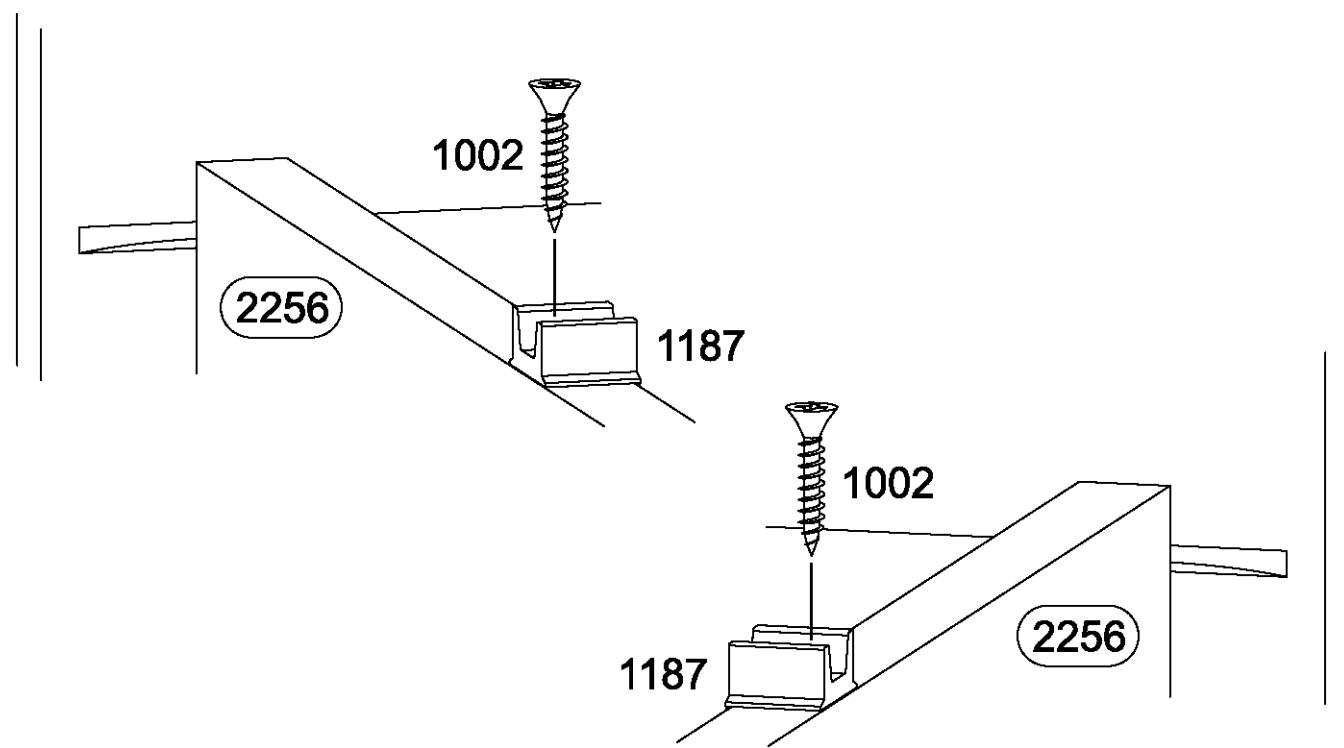
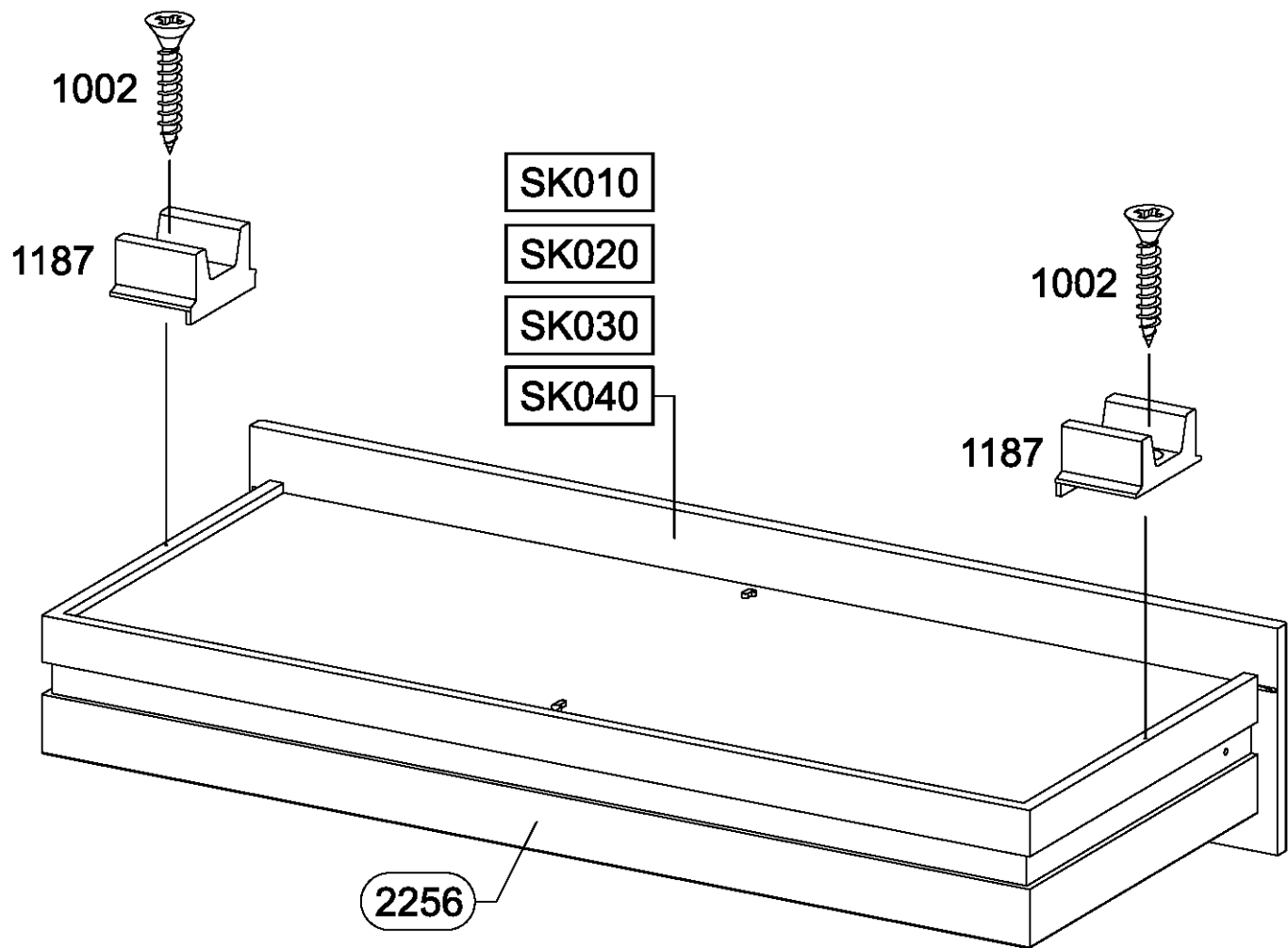
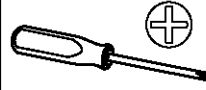
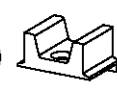
1002

3,5x20



8x

1187

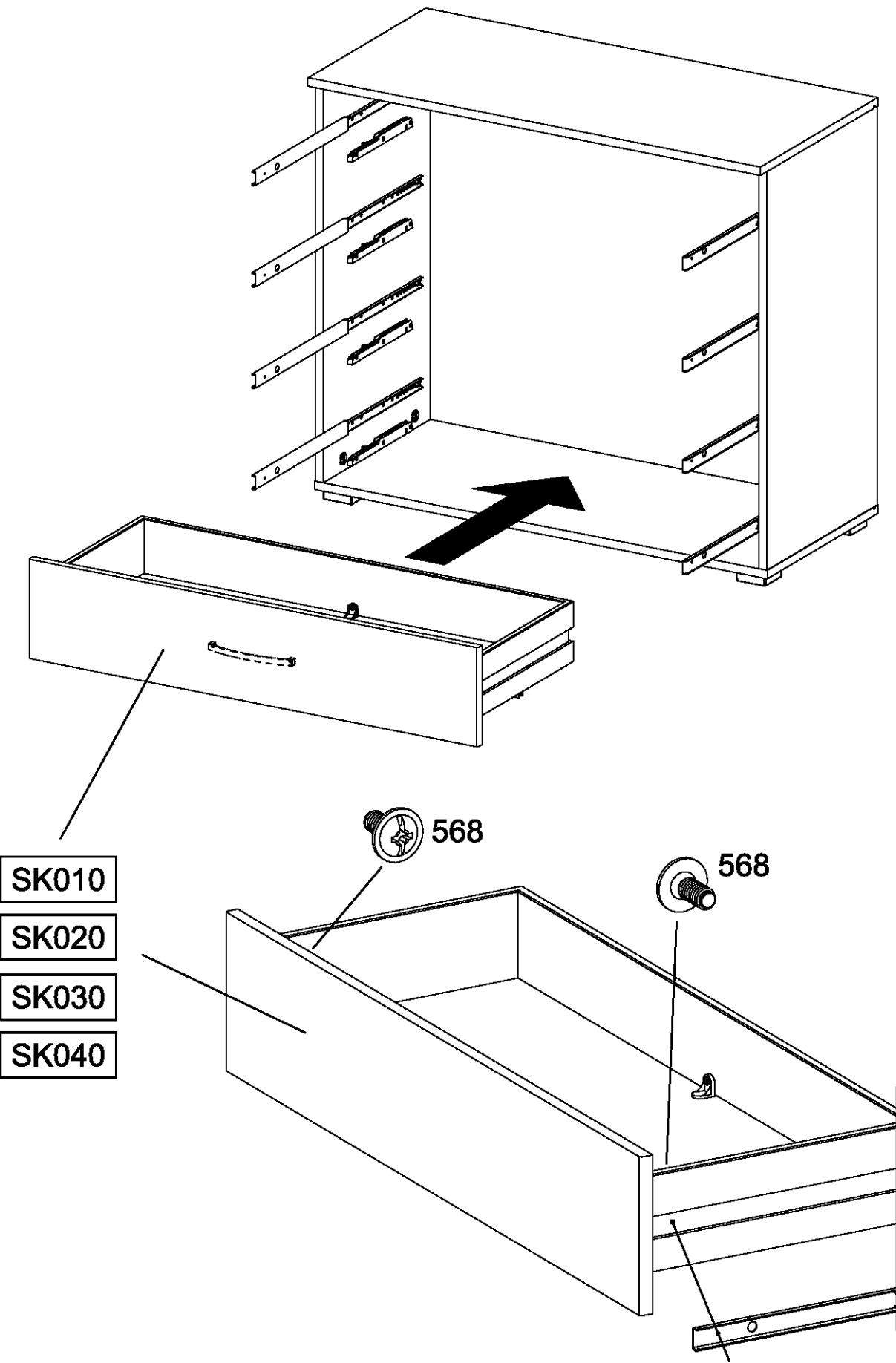
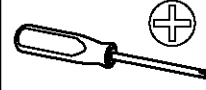


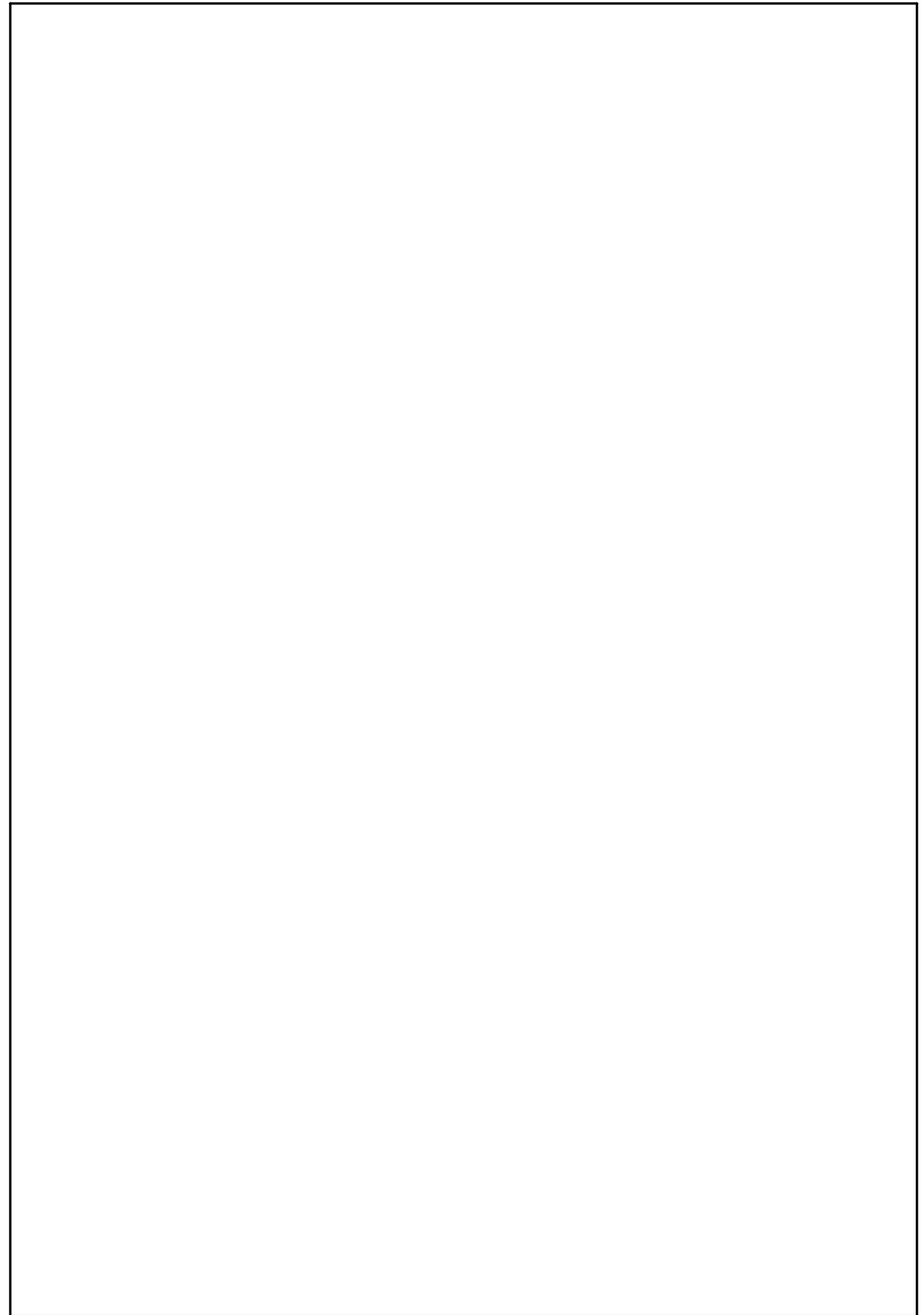
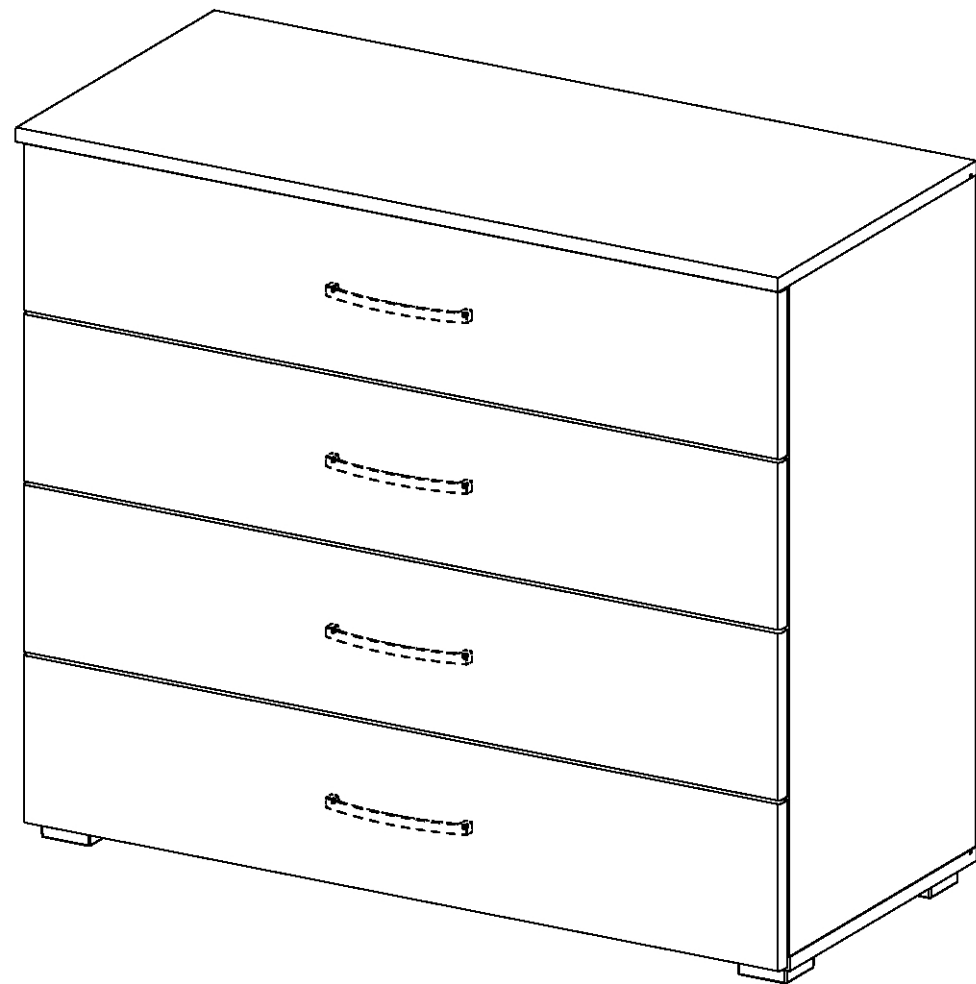
26

8x

568

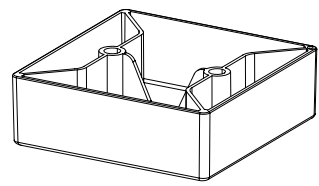
M4x9





MZ044\_02

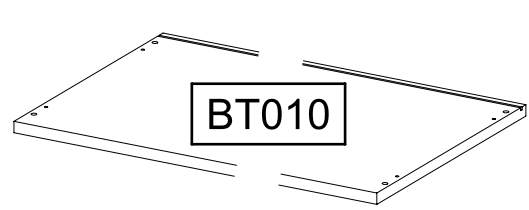
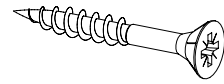
rauch



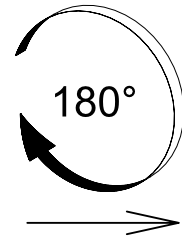
FU010

4x30

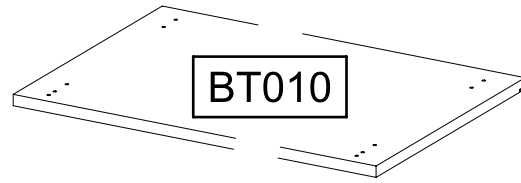
213



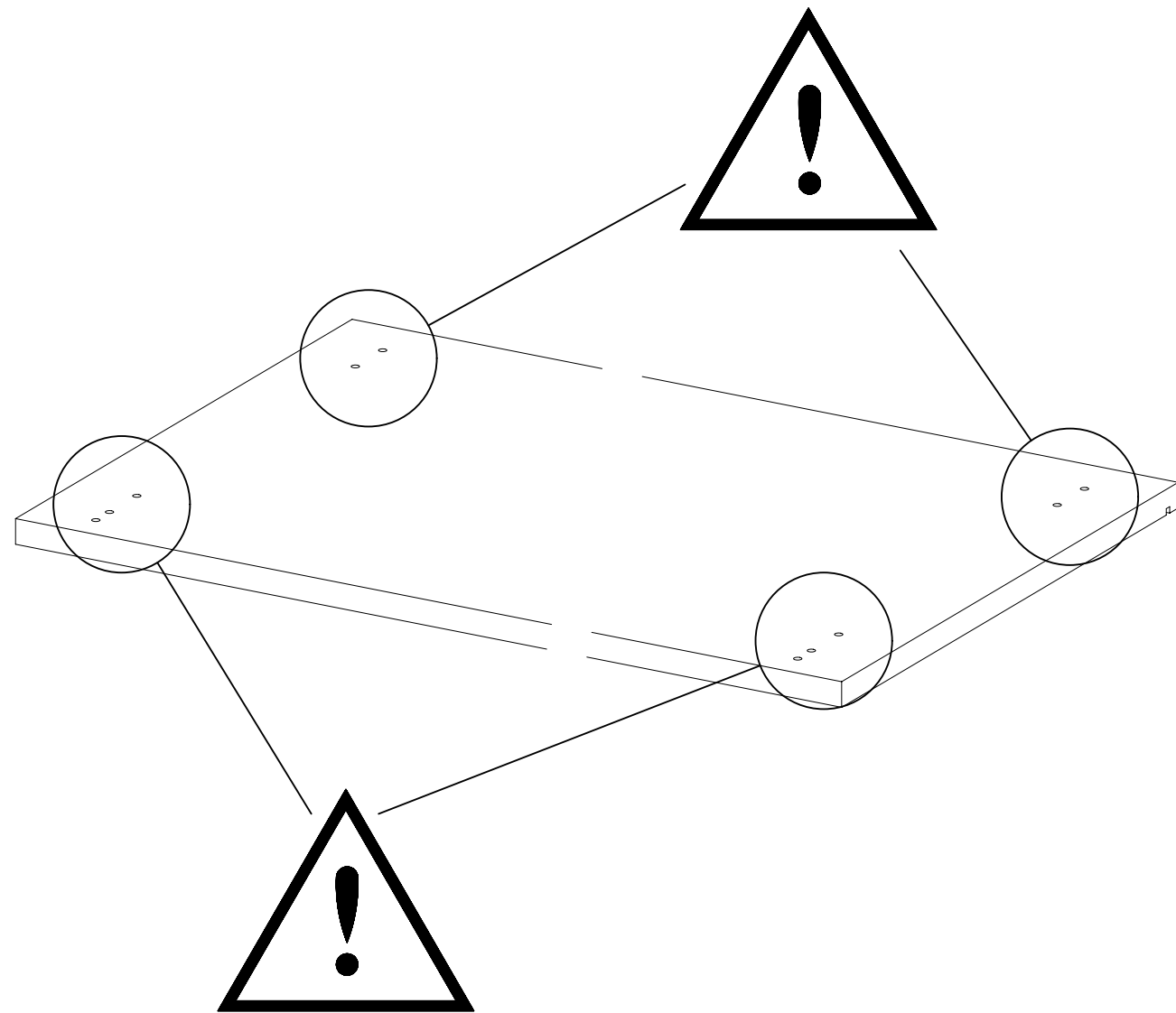
BT010



180°



BT010

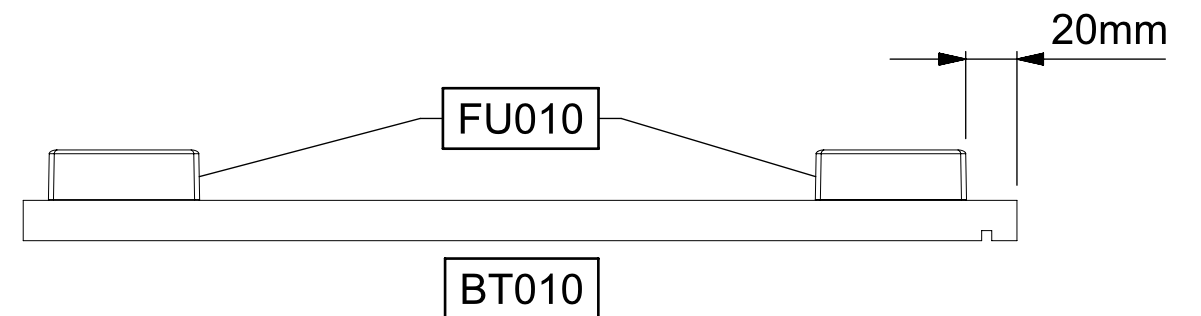
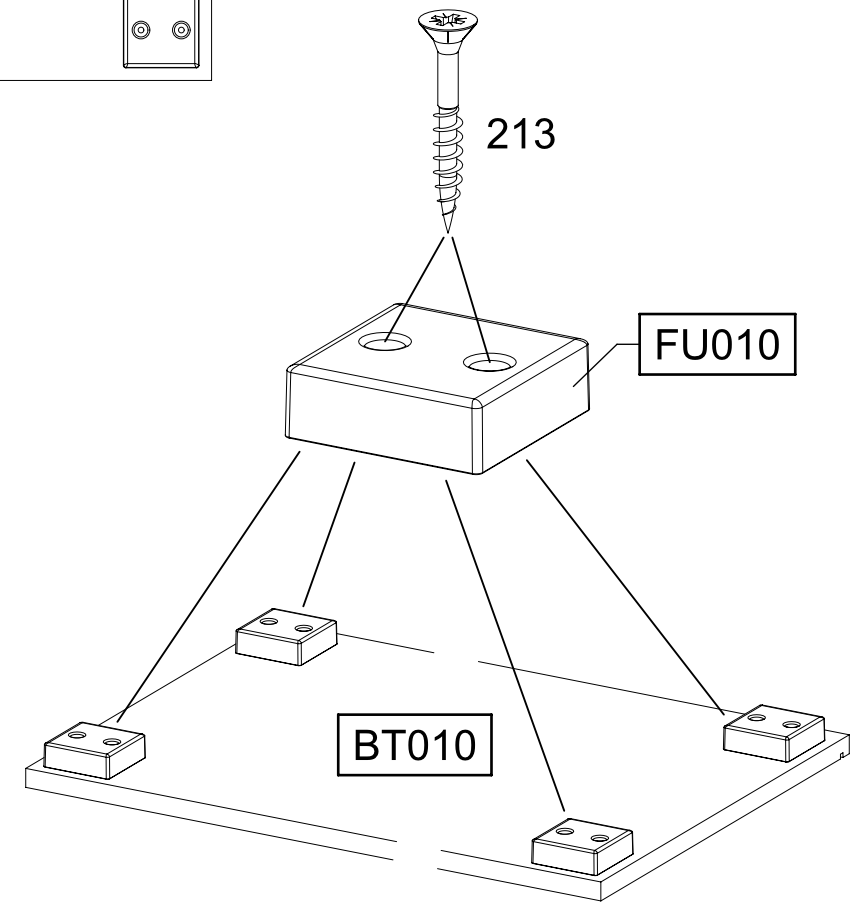
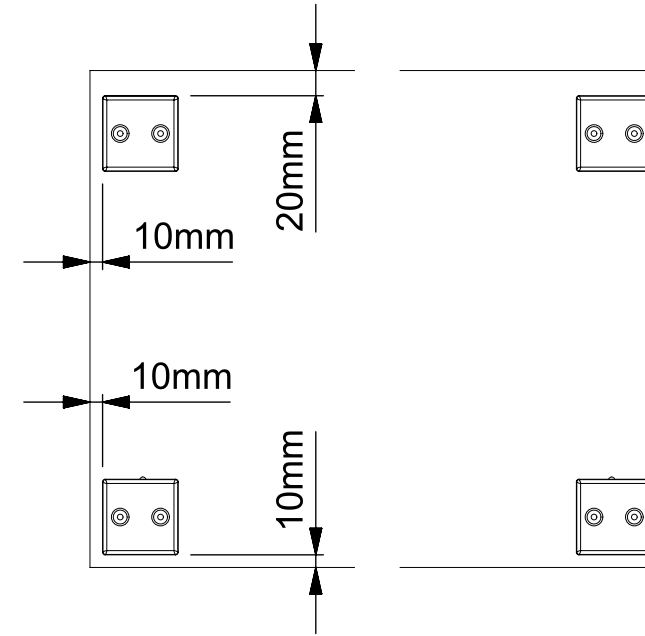
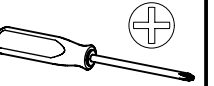


1

8x

213

4x30



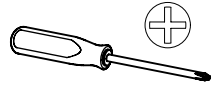
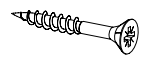
3.

2

2x

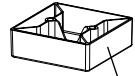
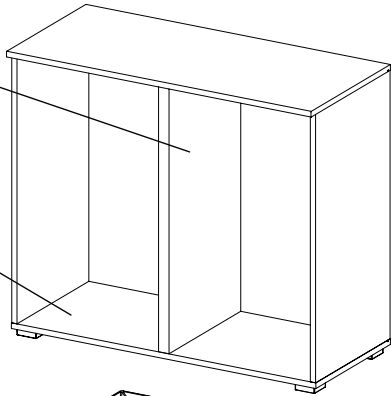
213

4x30



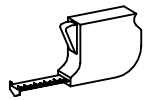
MS010

BT010

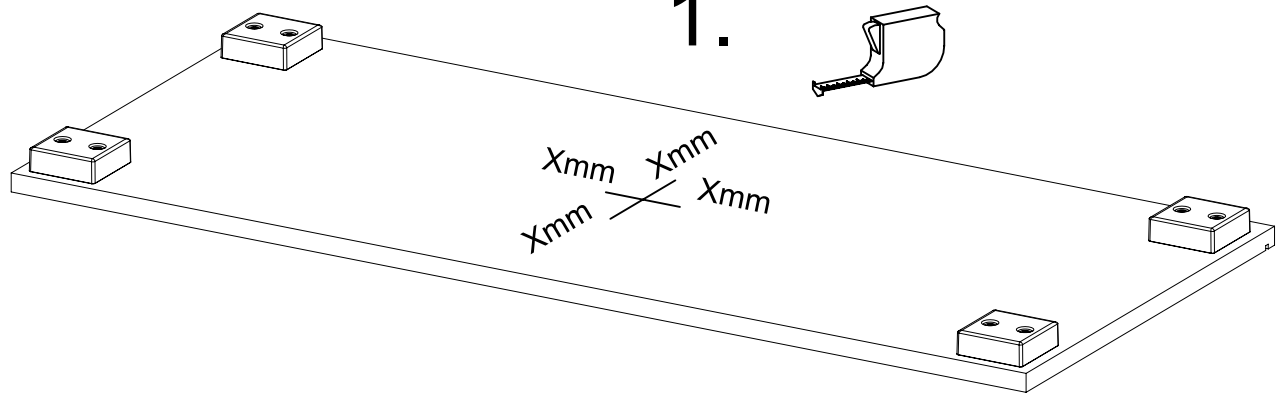


FU010

1.



Xmm Xmm  
Xmm Xmm

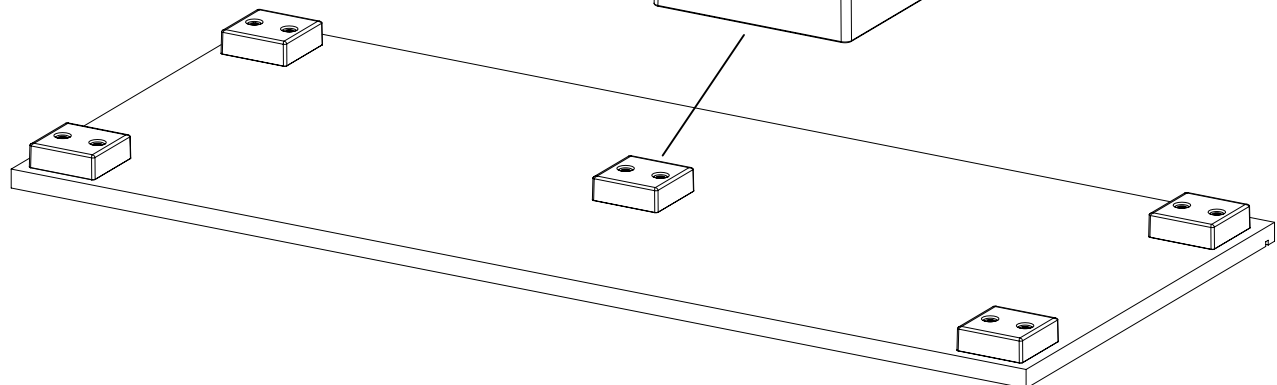
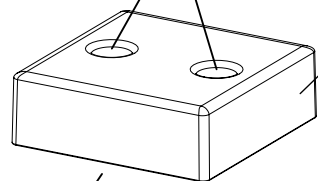


2.



213

FU010



MZ044

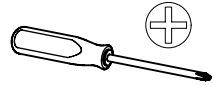
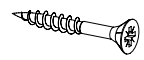
4.

3

2x

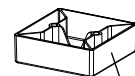
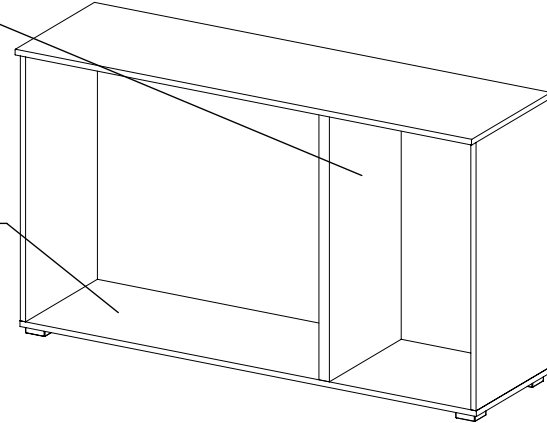
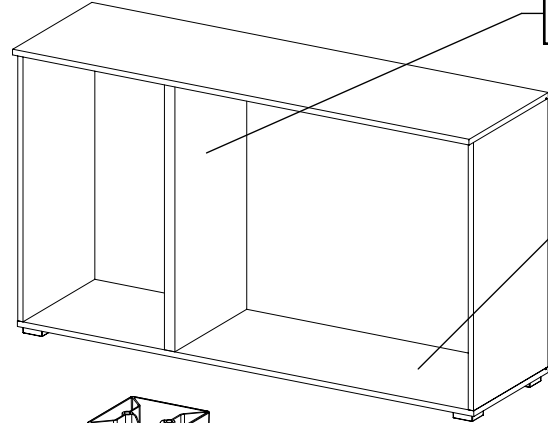
213

4x30

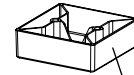


MS010

BT010

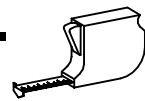


FU010



FU010

1.

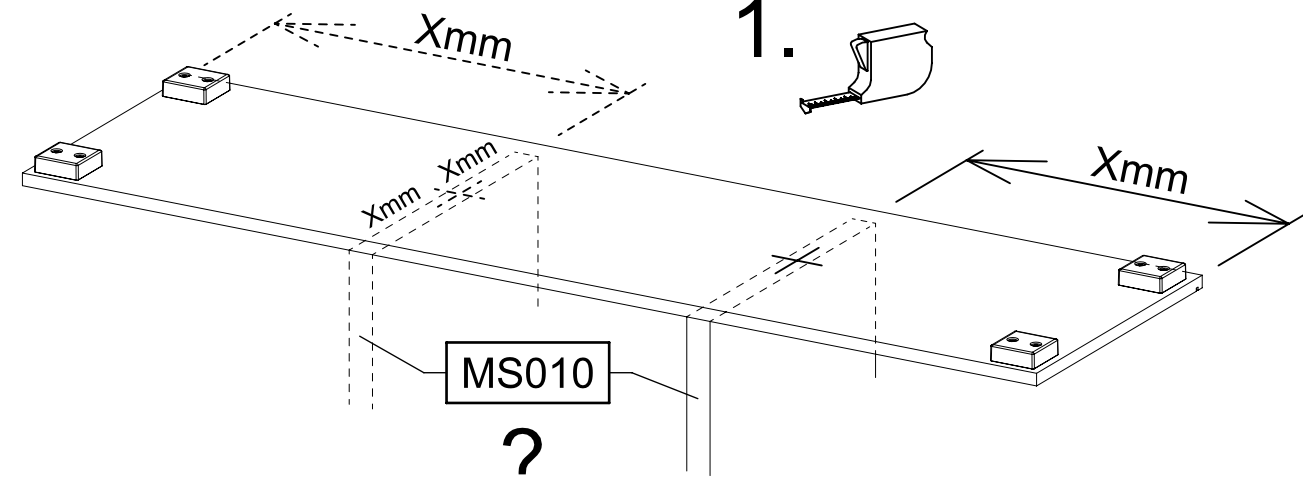


Xmm  
Xmm Xmm

Xmm

MS010

?

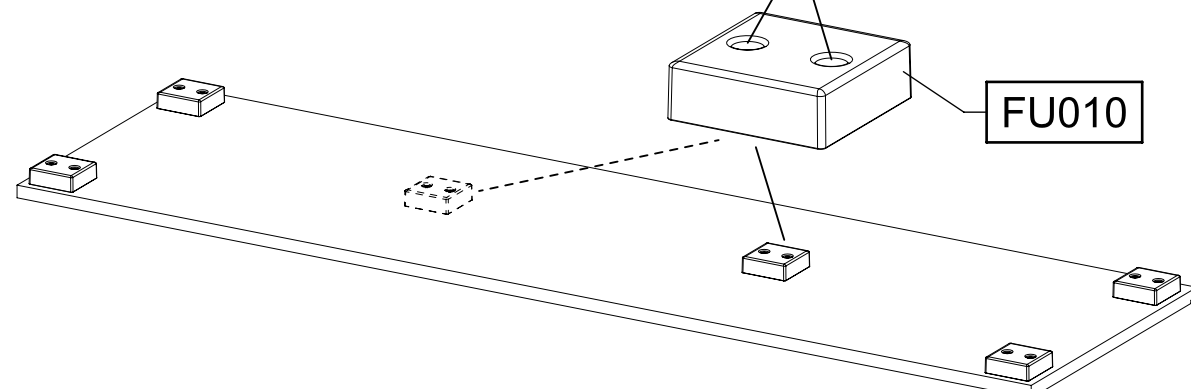
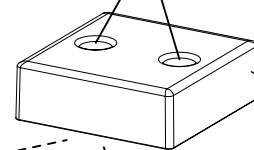


2.



213

FU010



MZ044

4

4x

213

4x30

