

Thank you for choosing Sunnyside Decor. We stand behind our brand and the quality of the items we sell. Replacement parts or products will be sent at our discretion within the 1-year warranty period. Proof of purchase, with the date of purchase as well as photos of the merchandise defect, must be provided. Photos are used to determine the cause of defects and for future quality control.

MERANTI WOOD GARDEN SHELF

Assemble components on a soft, clean surface to avoid damaging the finish. Save this manual for future reference.



100
pounds
45 kg
Weight Capacity
per Shelf



Inspect packaging to ensure all parts are accounted for before disposing of packing materials.
Save the packing slip.

! HELPFUL HINTS

Sunnyside Decor advises reading this manual thoroughly and assembling the item soon after purchase.

Do not fully tighten hardware until all components are assembled. If hardware is tightened too soon, mounting holes may not align, and parts may not easily fit together.

! WARNING !

CHOKING HAZARD — This item contains small parts that can be swallowed. Keep children and pets away during assembly.

No.	PARTS		QTY.
A		Top Ledge	1
B		Leg Support	2
C		Back Leg	2
D		Front Leg	2
E		Top Shelf	1
F		Middle Shelf	1
G		Bottom Shelf	1
H		JCBC M6x60 Bolt	14
I		Barrel Nut	14
J		Barrel Nut Driver	1
K		Hex Key	1

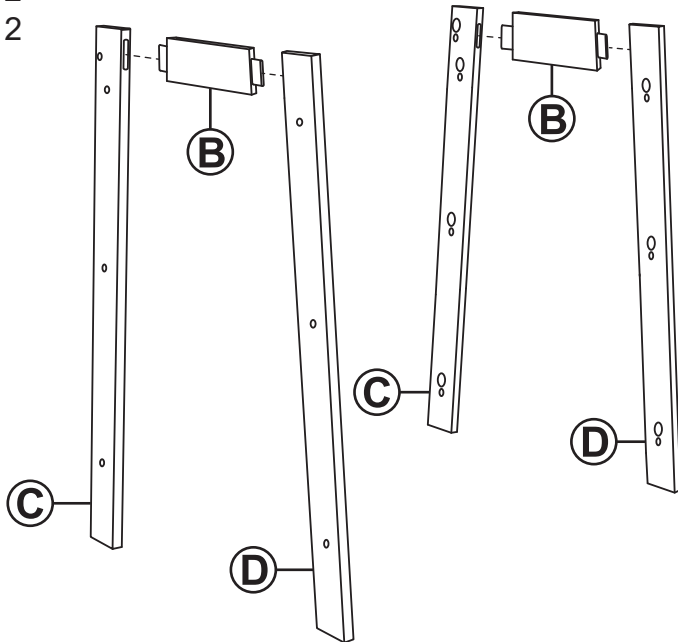
ASSEMBLY

Review all steps and understand assembly before beginning.

Do not fully tighten hardware until all components have been loosely assembled.

STEP 1

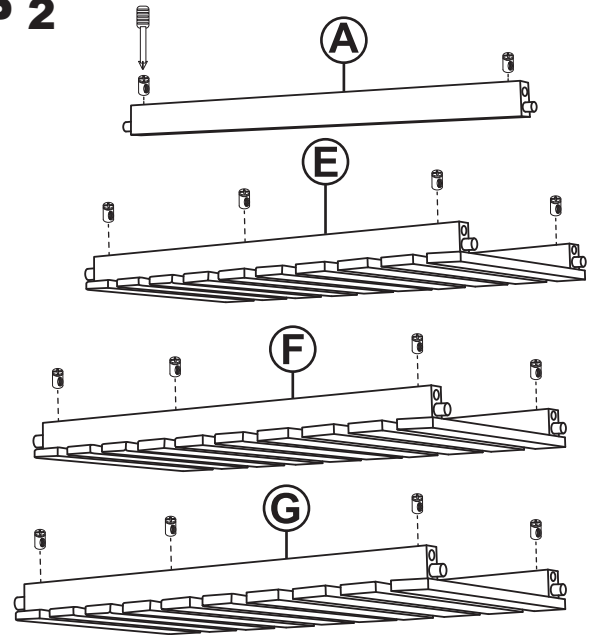
B: 2
C: 2
D: 2



- Insert the pegs on Leg Support (B) into Back Leg (C) and Front Leg (D).

STEP 2

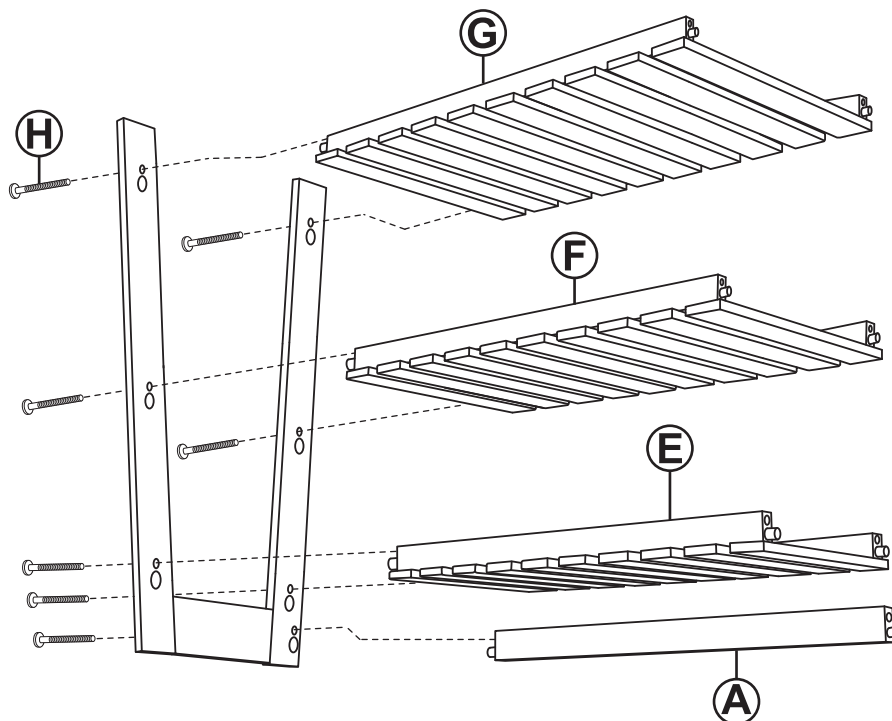
A: 1
E: 1
F: 1
G: 1
I: 14



- Insert 2x Barrel Nut (I) into Top Ledge (A).
- Insert 4x Barrel Nut (I) into each shelf (E, F, G).
- Use the Barrel Nut Driver to align the opening of the barrel nut with the holes on the sides of each piece.

STEP 3

H: 7

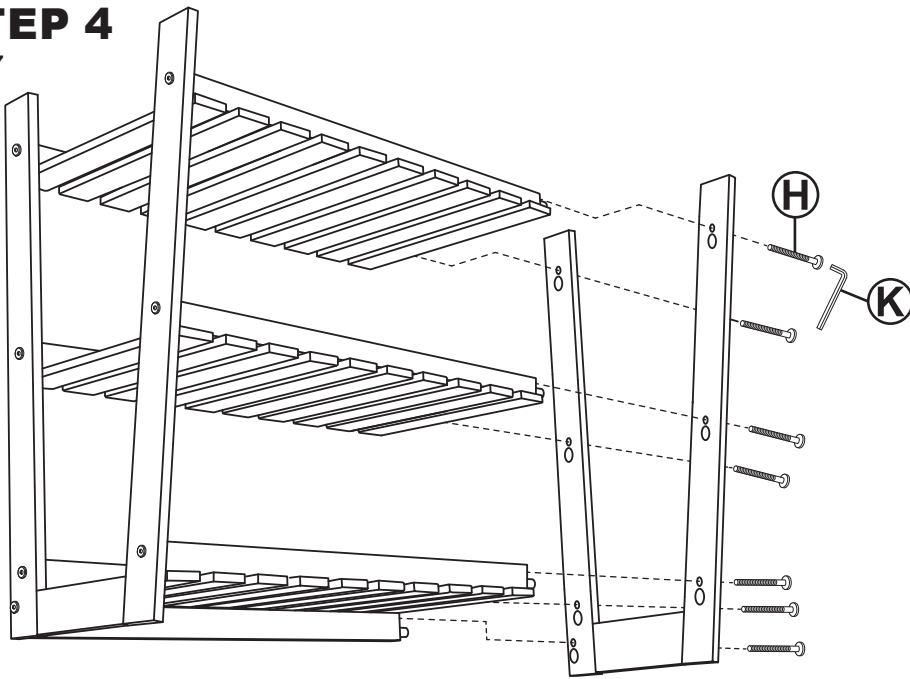


NOTE: Check to confirm the barrel nuts are properly aligned inside both sides of Top Ledge (A), as it is not possible to adjust the alignment after the top shelf is affixed to the leg panels.

- Secure Top Ledge (A) to the second assembled leg panel by hand-tightening one M6x60 Bolt (H), ensuring the bolt threads into the barrel nut.
- Secure each shelf (E, F, G) by hand-tightening M6x60 Bolts (H), ensuring the bolts thread into the barrel nuts.

STEP 4

H: 7



- Align the second assembled leg panel to the top ledge and shelves.
- Secure components by hand-tightening M6x60 Bolts (H), ensuring the bolts thread into the barrel nuts.

Tighten all bolts after this step is complete.

Care & Maintenance

SAFE USE: For residential use only. Only use on a flat, level surface.

INSPECT: Periodically check assembly points and tighten fittings as necessary.

PROTECT: Ensure there is a barrier, such as saucers or water trays, between planters and the wood. Runoff from over-watering could stain the wood.

CLEANING: Identify the direction of the woodgrain. Following the direction of the woodgrain, wipe surfaces with a soft, dry cloth. Do not use harsh chemicals or abrasive materials or a pressure washer to clean.

WINTER CARE & STORAGE: Protect this item from inclement weather, especially ice and snow. Store in a dry, indoor location. Covering the unit while in storage will help prevent dust buildup.

MAINTENANCE: This item was treated with teak oil at the factory. To maintain the appearance, apply a suitable penetrating Wood, Teak or Linseed Oil (not included) yearly, or when the wood looks particularly dry. Clean the unit and bring into a dry, warm, indoor location. Allow the unit to thoroughly dry before applying oil; drying may take several days. Only apply oil to wooden surfaces. Use a soft cloth or soft brush and carefully apply oil as directed by the wood oil manufacturer.

WARNING: THE ONE-YEAR WARRANTY DOES NOT COVER DAMAGES OR DEFECTS CAUSED BY THE APPLICATION OF CHEMICAL TREATMENTS, PROTECTIVE COATINGS, OR CLEANING PRODUCTS.

! SAFETY STATEMENTS & WARNINGS !

- Do not overload the shelves.
- Do not sit, stand, or climb on the shelf.
- Inspect hardware often and tighten loose hardware.
- Do not put hot items on or near furniture.
- Keep furniture a safe distance from heat sources such as fire pits, patio heaters, and grills.
- Do not allow children to climb on the unit as the unit to tip or break which could lead to serious injury.
- Do not use harsh chemicals or abrasive materials to clean the furniture.

Any modification to the product or failure to follow recommended care will void the product warranty.

If you experience issues with assembly or the product was damaged during shipping, please contact our customer service team through one of the methods mentioned at the top of page 1. Please have the item number and order information ready to expedite response time.

! WARNING:

Manufacturer and seller expressly disclaim any and all liability from personal injury, property damage or loss, whether direct or indirect, or incidental, resulting from the incorrect attachment, improper use, inadequate maintenance, or neglect of this product.