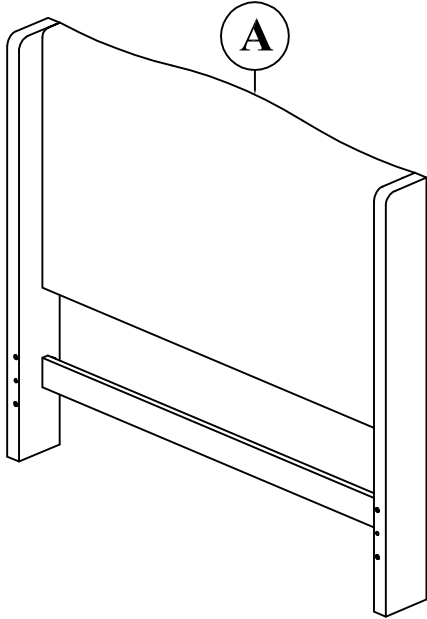


CAL KING BED ASSEMBLY INSTRUCTIONS

PARTS PACKING CONFIGURATIONS

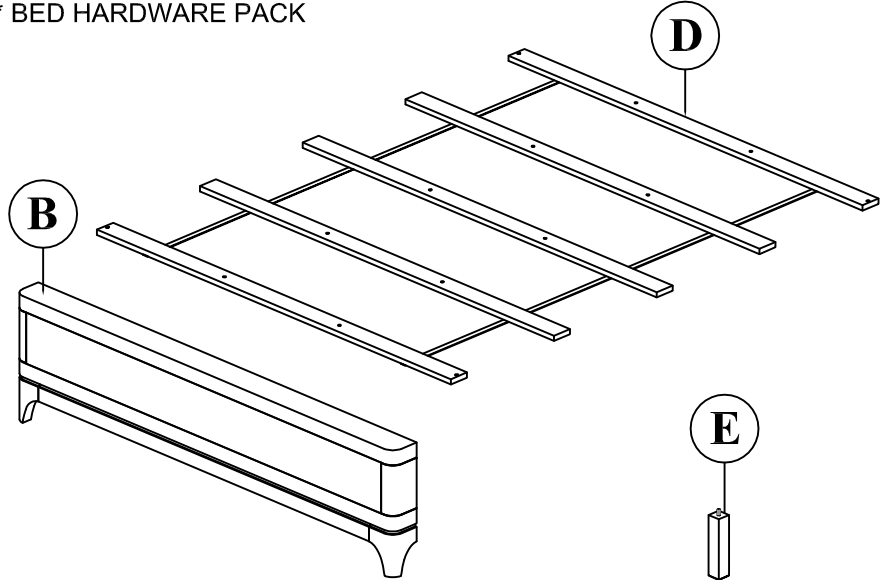
BOX #1:

A. HEADBOARD 1 PC



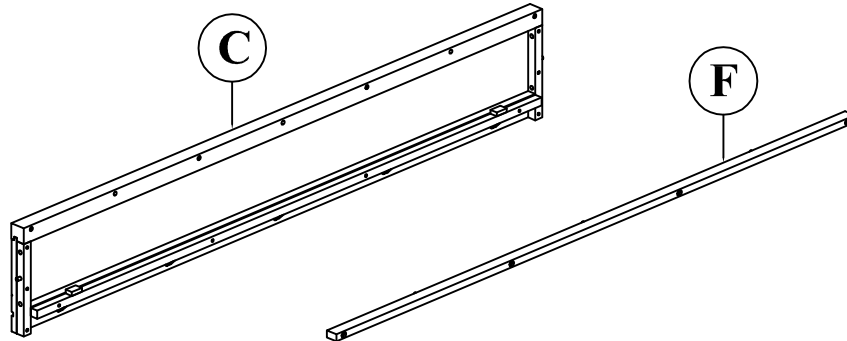
BOX #2:

B. FOOTBOARD 1 PC
D. SLAT ROLL 1 SET
E. CENTER SLAT SUPPORT 10 PCS
* BED HARDWARE PACK



BOX #3:

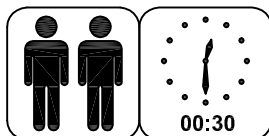
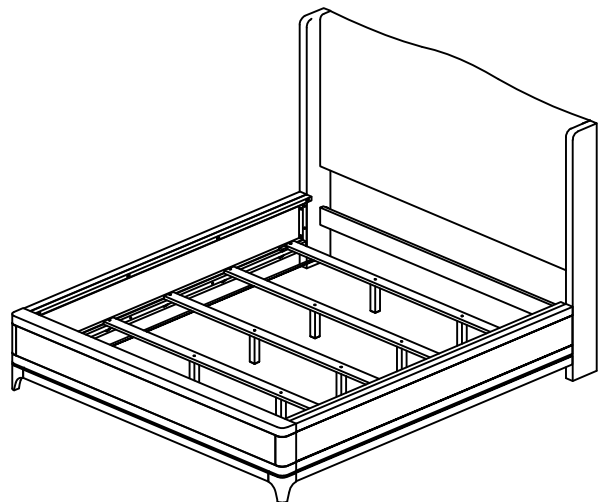
C. SIDE RAIL 2 PCS
F. SPACER 2 PCS



HARDWARE PACKED IN BOX #2

No	Description	Photo	Quantity
1	ALLEN BOLT (8x50mm)		8 PCS
2	SPRING WASHER (9x13mm)		8 PCS
3	FLAT WASHER (9x19mm)		8 PCS
4	WOOD SCREW (4x30mm)		4 PCS
5	ALLEN KEY		1 PC
6	ALLEN BOLT (6x50mm)		8 PCS

CAL KING BED FULLY ASSEMBLED

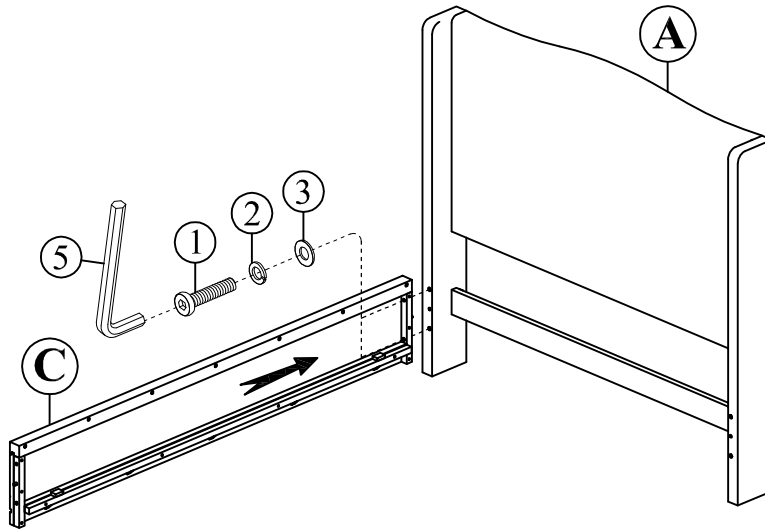


TOOL REQUIRED
PHILLIPS-HEAD SCREWDRIVER (NOT PROVIDED)

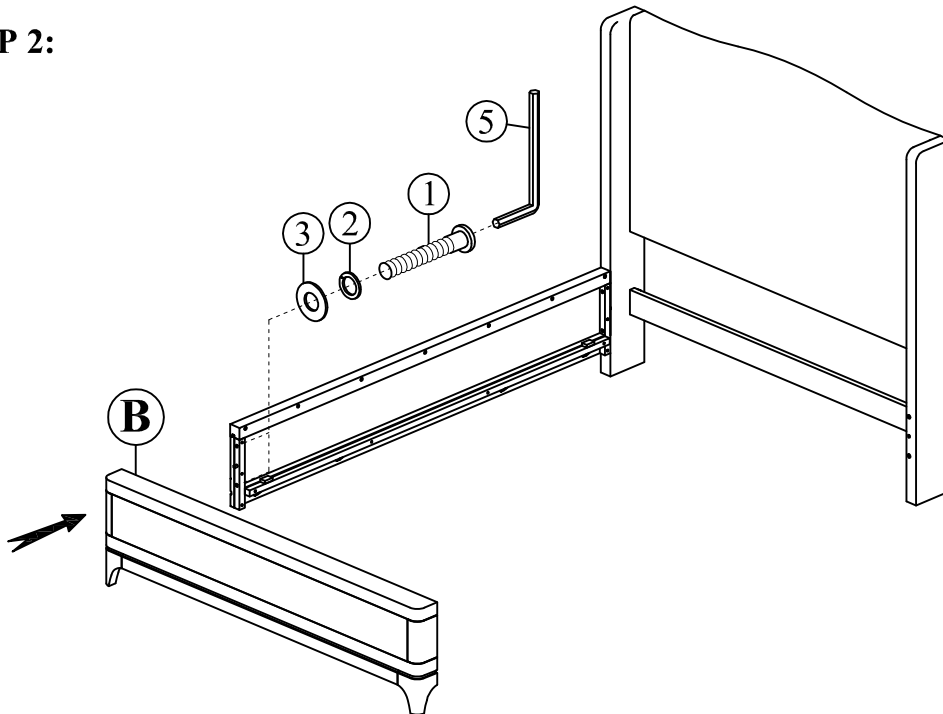


CAL KING BED ASSEMBLY INSTRUCTIONS

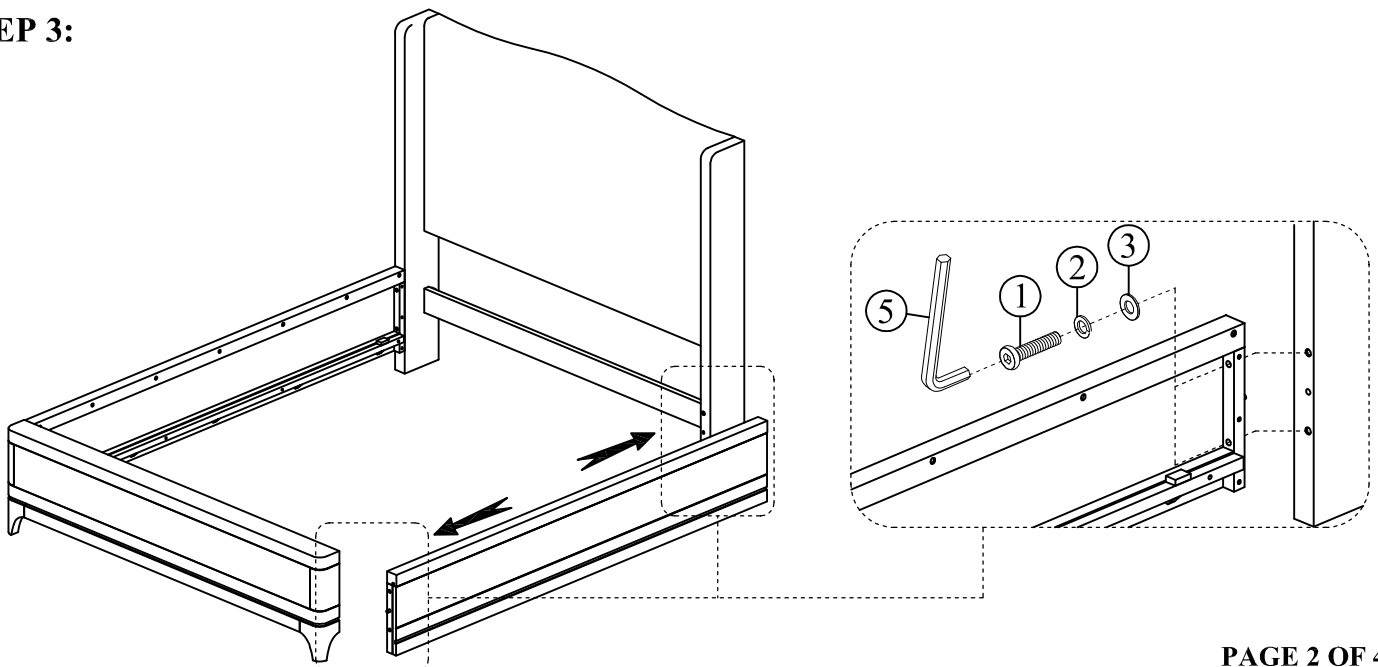
STEP 1:



STEP 2:



STEP 3:



CAL KING BED

ASSEMBLY INSTRUCTIONS

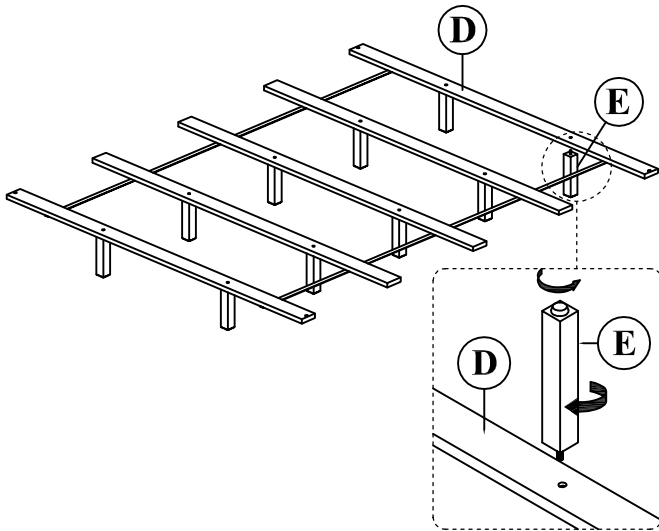


STOP

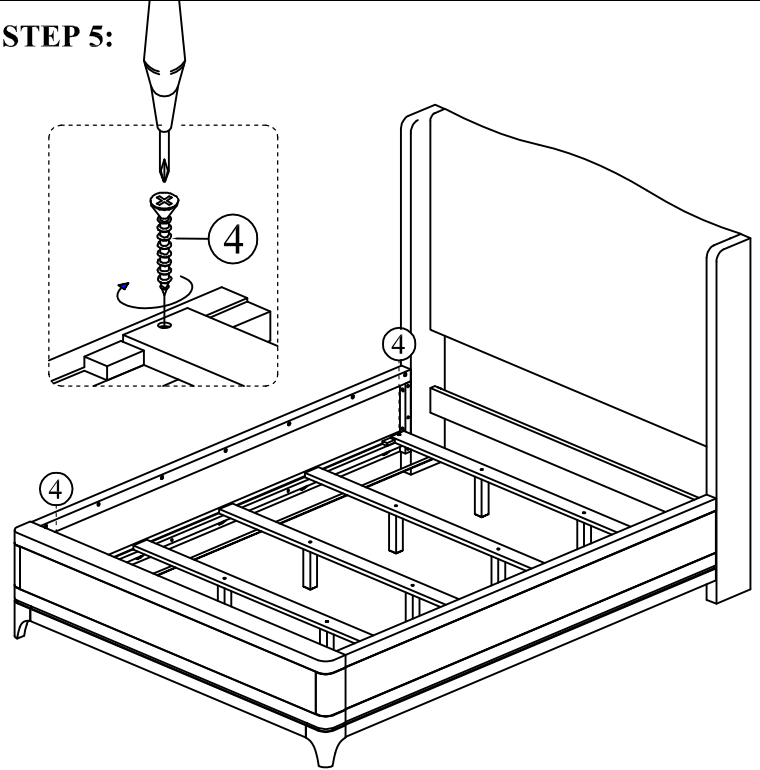
* IF USING BED FRAME WITH ADJUSTABLE MATTRESS BASE, SKIP TO APPENDIX A: ADJUSTABLE MATTRESS BASE ASSEMBLY SUPPLEMENT.

* IF USING BED FRAME WITH STANDARD BOX SPRING OR FOUNDATION CONTINUE TO STEP 4.

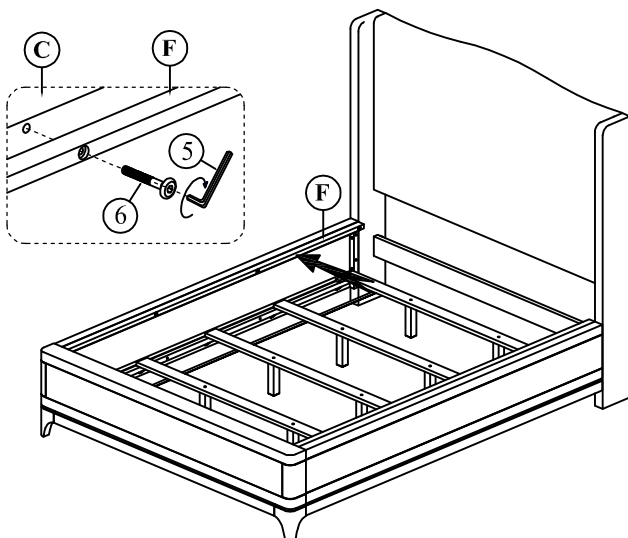
STEP 4:



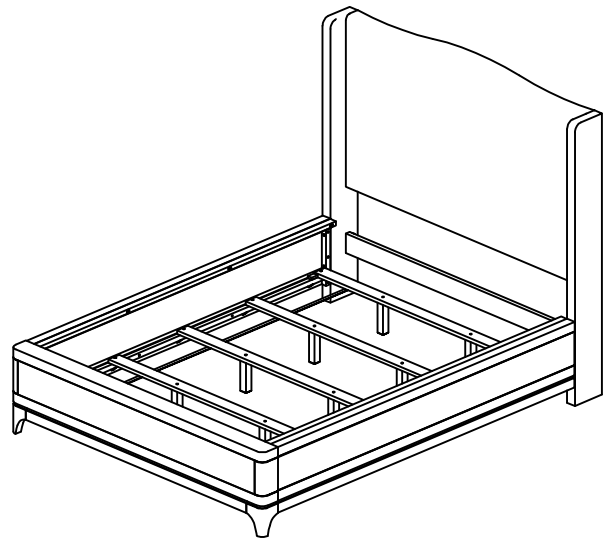
STEP 5:



STEP 6:



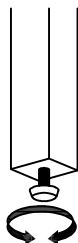
ASSEMBLY COMPLETE



INSTRUCTIONS FOR ADJUSTING LEVELER

POSITION THE BED IN YOUR SPACE AND LOCATE THE LEVELER UNDER EACH SUPPORT LEG. TURN THE LEVELER COUNTER-CLOCKWISE TO EXTEND THE LEVELER AND CLOCKWISE TO RETRACT IT.

ADJUST EACH LEVELER UNTIL EACH SUPPORT LEG IS APPLYING EQUAL, UPWARD PRESSURE ON THE SUPPORT SLAT.



MAINTENANCE INSTRUCTIONS:

REMOVE YOUR MATTRESS, AND BOX SPRING IF APPLICABLE, BEFORE MOVING YOUR BED.

LIFT YOUR BED WHEN MOVING IT; DRAGGING CAN DAMAGE THE SUPPORTS.

RE-ADJUST THE LEVELERS AFTER MOVING YOUR BED.

CAL KING BED

ASSEMBLY INSTRUCTIONS

APPENDIX A: ADJUSTABLE MATTRESS BASE ASSEMBLY SUPPLEMENT.

AN ADJUSTABLE MATTRESS BASE IS A FREESTANDING MATTRESS SUPPORT THAT SITS WITHIN THE PERIMETER OF THE BED FRAME.

IF USING THE BED FRAME WITH A STANDARD BOX SPRING OR FOUNDATION THESE INSTRUCTIONS DO NOT APPLY.

PRE-ASSEMBLED SIDE RAIL CLEATS OBSTRUCT ADJUSTABLE BASE INSTALLATION AND OPERATION. FOLLOW THESE INSTRUCTIONS TO REMOVE THEM.

THE FOLLOWING PARTS ARE NOT REQUIRED FOR ADJUSTABLE MATTRESS BASE INSTALLATION:

D. SLAT ROLL 1 SET

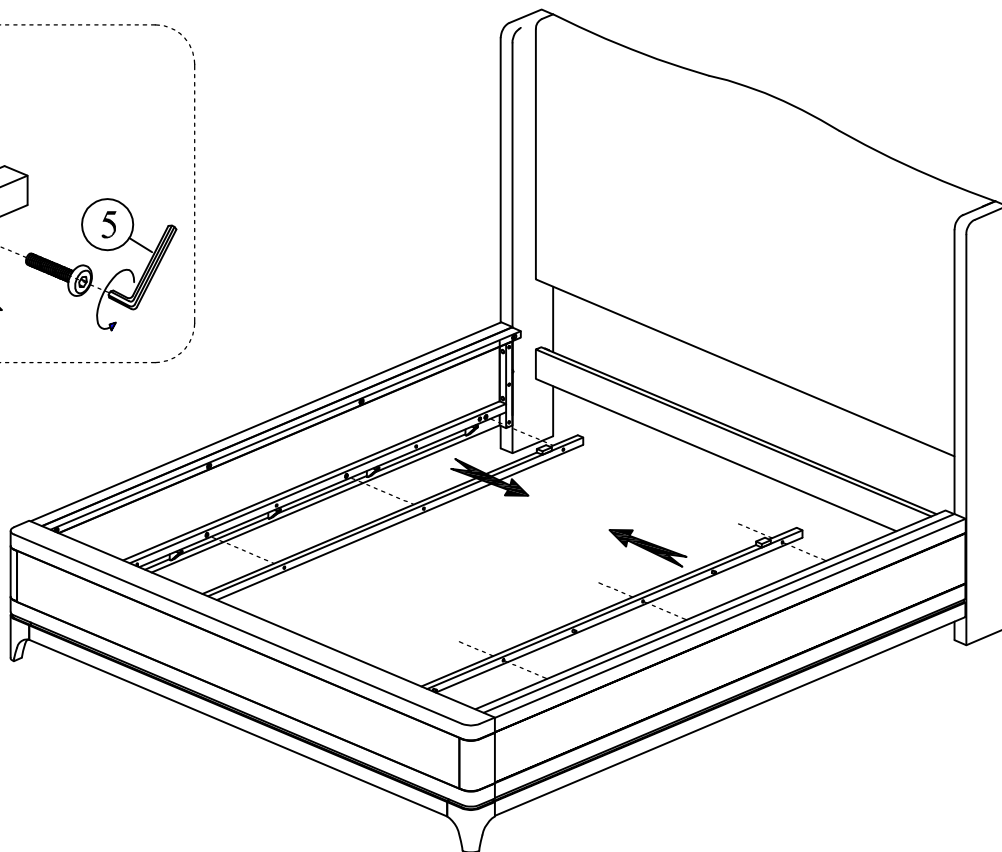
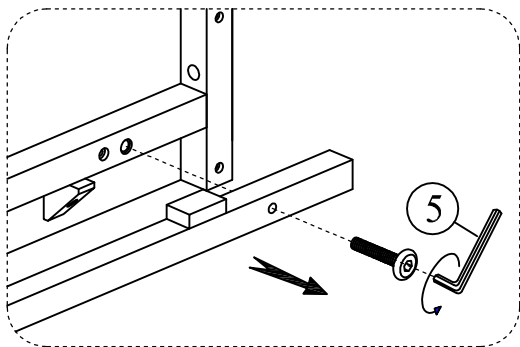
E. CENTER SLAT SUPPORT 10 PCS

4. WOOD SCREW (4x30mm) 4 PCS

* ALLEN BOLT (6x35mm) 8 PCS

STEP 1:

USE ALLEN KEY (5) TO UNSCREW ALLEN BOLTS AND REMOVE PRE-ASSEMBLED SIDE RAIL CLEATS



NOTE: YOU MAY WISH TO RETAIN UNUSED PARTS IF IN THE FUTURE YOU INTEND TO USE THE BED FRAME WITH A STANDARD BOX SPRING OR FOUNDATION.