

PRODUCT MANUAL



ATTENTION! PLEASE READ THESE INSTRUCTIONS BEFORE USING THIS DEVICE

PRODUCT MANUAL



NOTICE:

If your package is missing parts or you are having issues with assembly, please call us directly. Our customer service team will address any questions or concerns you may have. Have this manual open and ready for reference.



SAFETY

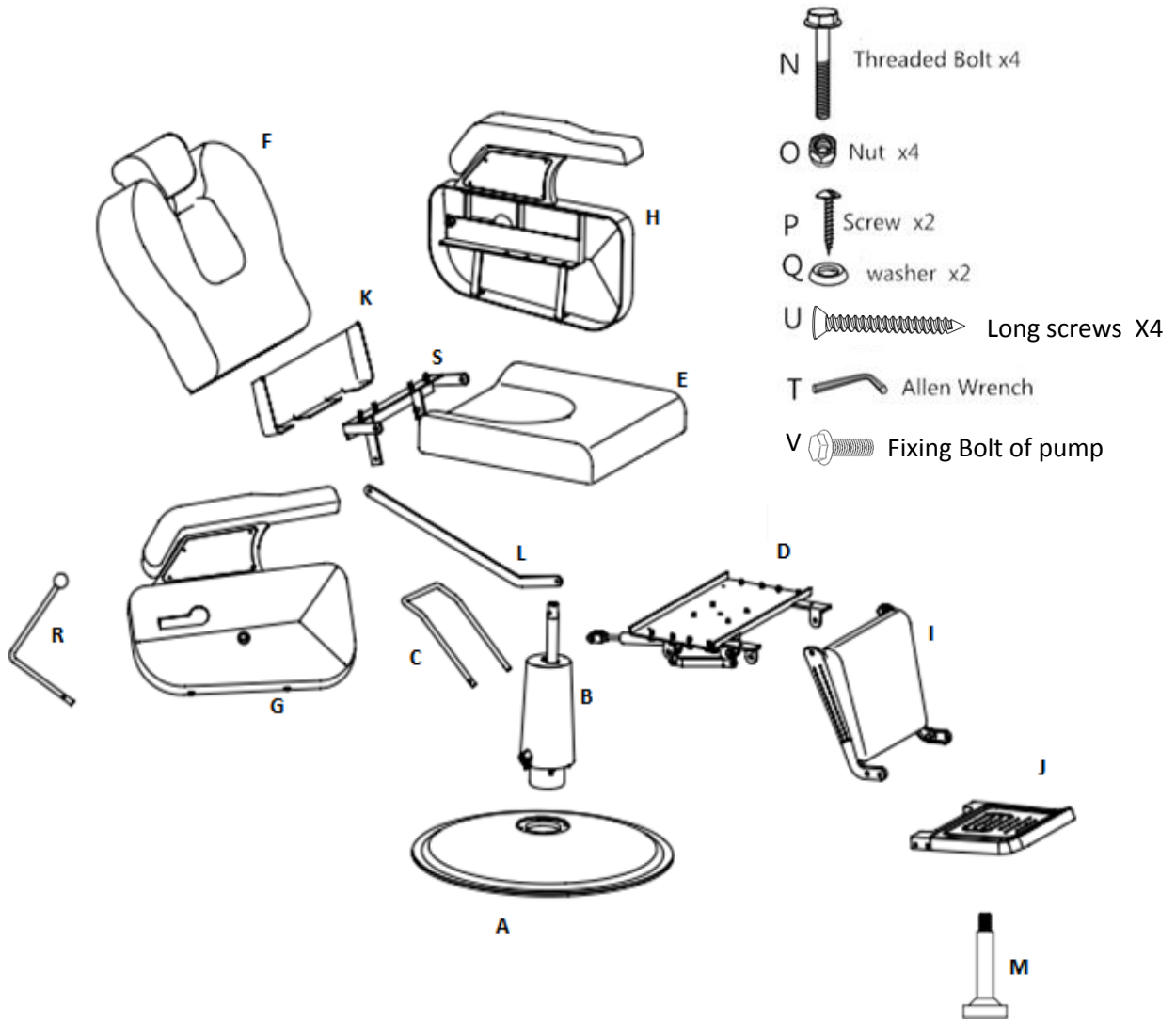
To reduce risk of injury when assembling & using the chair, follow these precautions:

- Read all of these instructions before assembling and using your salon chair.
- It is helpful to have 2 people assemble and turn the chair upright after assembling.
- Do not over-extend the chair(0~150kg), creating the risk of falls or tipping the chair, and its occupant over, resulting in injury

OTHER ITEMS YOU WILL NEED (not included)

- Hand Tools:Wrench,Rubber Mallet,Screwdriver (Phillips),Sturdy box

PARTS & FEATURES



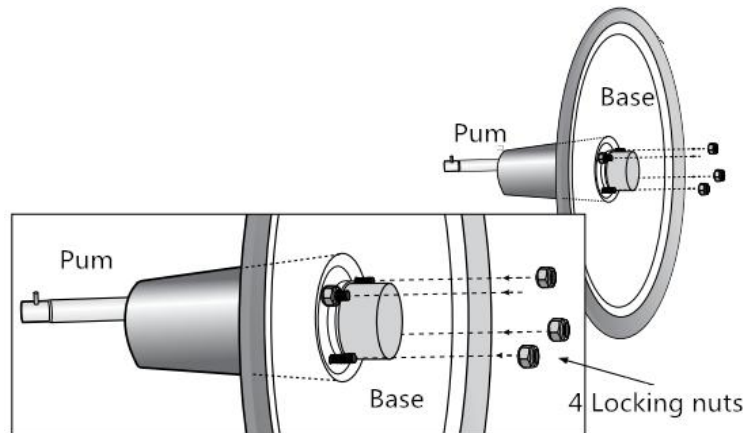
Part Code	Part Name	Number	Part Code	Part Name	Number	Part Code	Part Name	Number
A	Base	1	F	Backrest &	1	K	Back Cover	1
B	Hydraulic Pump	1	G	Right Handrest	1	L	Stabilizer Bar	1
C	Foot Bar	1	H	Left Handrest	1	M	Foot Rest Support	2
D	Seat Plate	1	I	Leg Rest	1	R	Reclining Lever	1
E	Seat	1	J	Foot Rest	1	S	Backrest iron	1

Installation instruction

First : Attach Hydraulic Pump to Base

- Parts Needed: Base + Pump + 4 Locking Nuts + Wrench

Step 1. Insert threaded bolts on bottom of Pump into holes on top of Base. Tighten 4 locking nuts onto threaded bolts. (Easiest when set on side, supported by a sturdy object.)



Second : Attach Foot Bar to Assembled Hydraulic Pump & Base

- Parts Needed: Foot Bar + Assembled Base & Pump + Allen Wrench

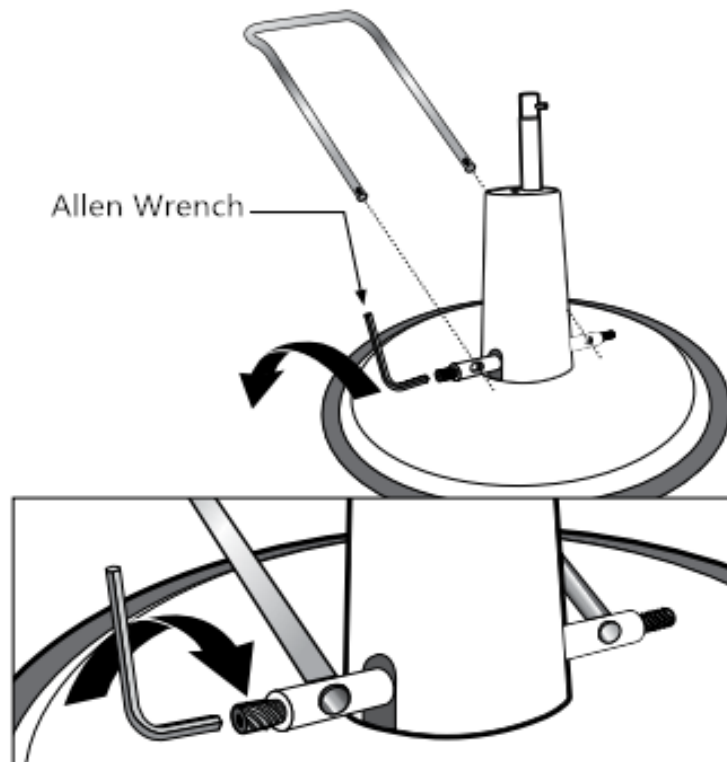
Step 1. Place assembled Base & Pump on floor.

Use Allen Wrench to loosen set screws in the crossbar. This prevents set screws from obstructing entry of Foot Bar.

Insert ends of Foot Bar into the holes in the crossbar.

(May require slightly squeezing ends of Foot Bar towards each other, and some maneuvering for the bar ends to go into place.)

Step 2. Tighten the set screws to firmly hold the Foot Bar in place.



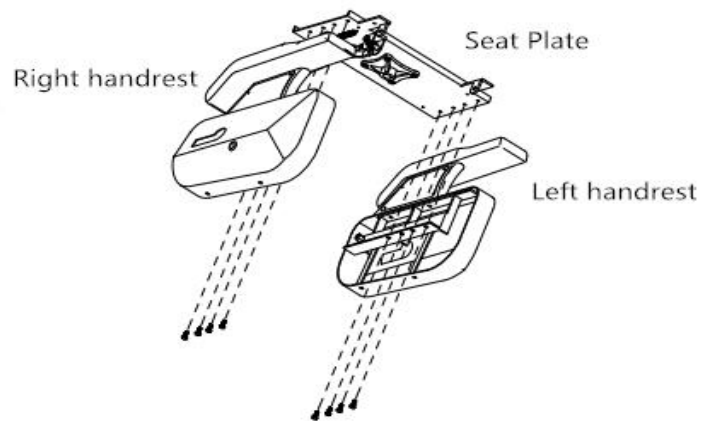
Third : Attach the left and right handrails to the seat plate

• Parts Needed: Seat plate + Right handrest + Left handrest + 8 Threaded Bolt

Step 1. Loosen the locking screw of Stabilizer Bar and remove the Reclining Lever

Step 2. Aim the four holes in the seat plate at the left handrest and the corresponding two holes on the right handrest

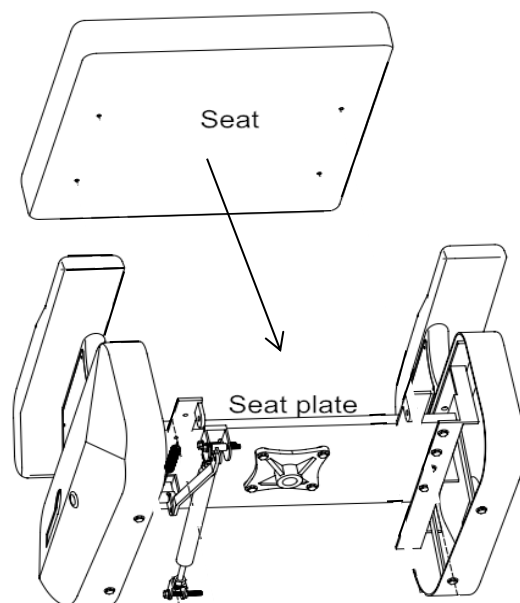
Step 3. Aim the four corresponding screws. Tighten them.



Fourth : Attach the seat to the seat plate

• Parts Needed: Seat + Assembled Right handrest & Left handrest & Seat plate

Step 1. Put the seat cushion on the seat plate, Don't fix it.



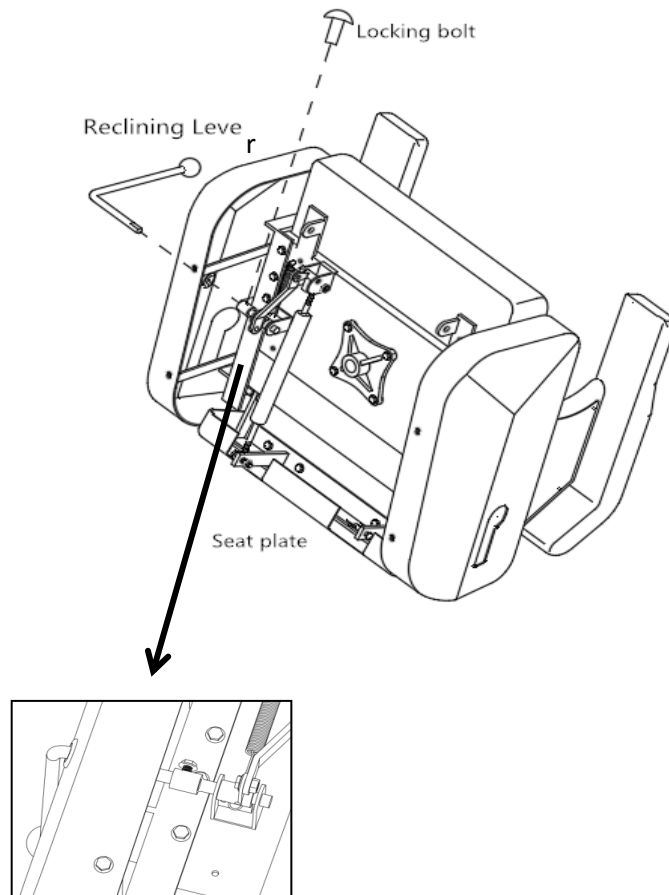
Fifth : Attach the Reclining Leve to the seat

• Parts Needed: Reclining Lever + Assembled Seat& Right handrest&Left handrest & Seat plate +Lock Bolt+Lock nut

Step 1.Remove pre-fitted locking bolts and locking nuts

Step 2.Pass the Reclining Lever through the corresponding hole in the Right handrest and aim at the corresponding hole in the seat plate

Step 3.Lock with the lock bolt and the lock nut

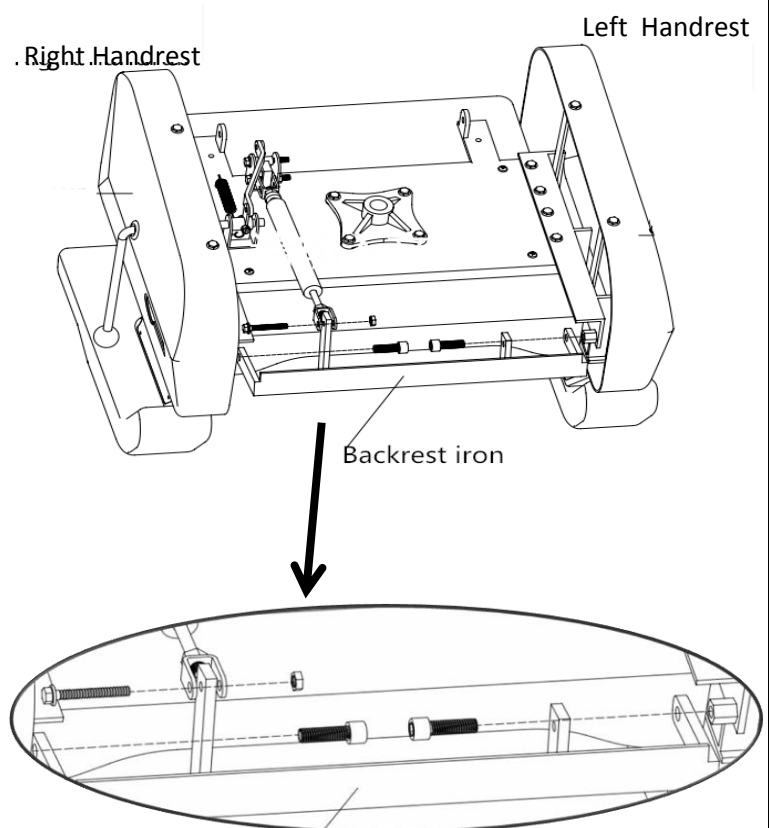


Sixth:Attach the Backrest iron to the Seat plate

Step 1. Remove 2 pre-fitted Inner hexagonal bolts and the locking bolt and the locking nut

Step 2. Point the holes on both sides of the backrest iron towards the left handrest and the corresponding holes in the right handrest,Tighten with the 2 internal hexagonal bolts

Step 3. Point the hole on the backrest iron towards the corresponding holes in the Slug,Tighten with the locking bolt and the locing nut



Seventh : Attach the Backrest to the Seat

• Parts Needed: Back+ Seat + 4 Threaded Bolts + Wrench

Step 1. Swing out the black bar located under the Seat.

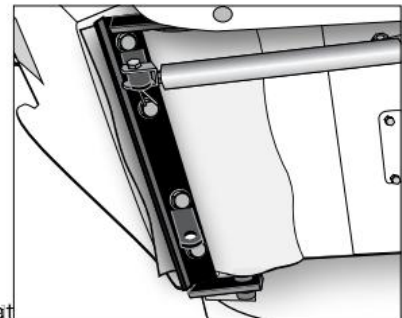
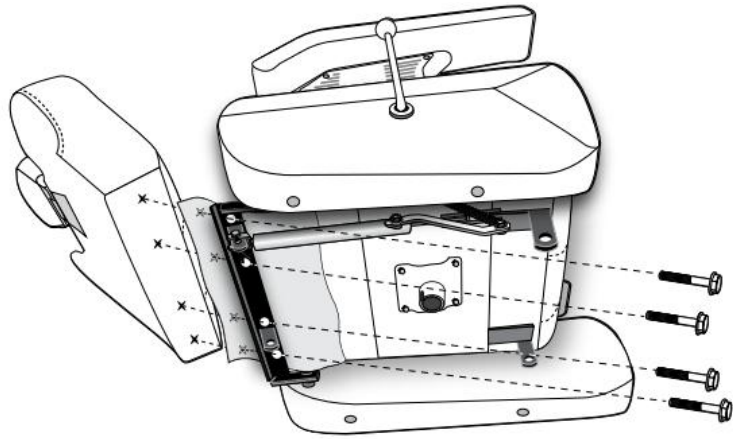
Place the Seat's vinyl flap over black bar.

Step 2. Insert 4 Threaded Bolts through holes in black bar, then holes in vinyl, and finally

into holes in the bottom of Backrest.

Step 3. Maneuver each bolt, one at a time, to screw into fittings (which are not visible) inside bottom of Backrest.

Tighten each fitting.



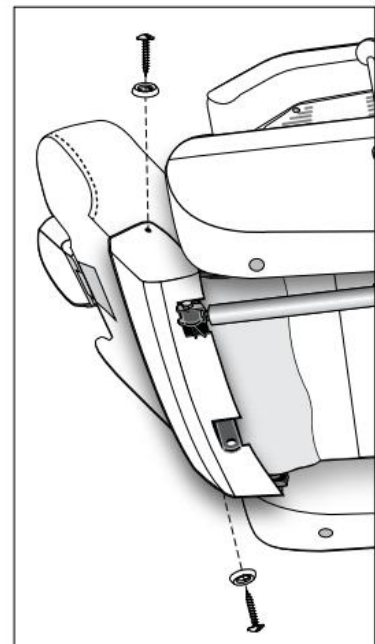
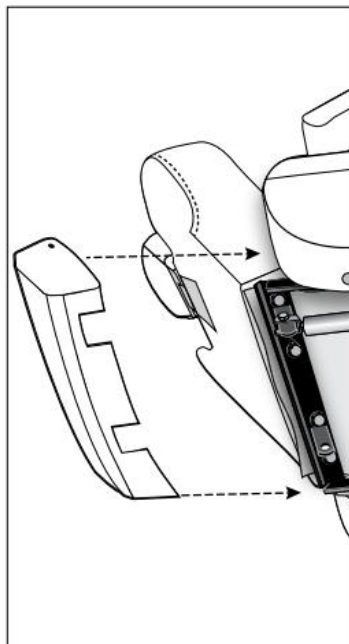
Assembled Backrest & Seat

Eighth : Attach the Hardware Cover to the Backrest

• Parts Needed: Assembled Backrest + Seat + 2 Screws + 2 Washers + Phillips-Head Screwdriver

Step 1. Place Hardware Cover at the bottom of the Backrest.

Step 2. Screw 1 bracket screw and 1 finish washer onto each side of the backrest.

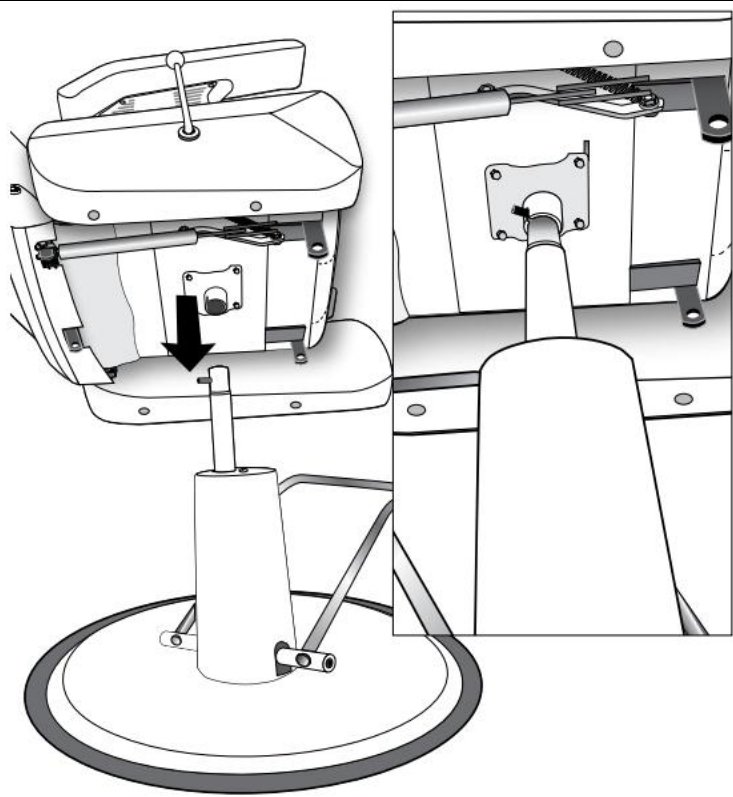


Ninth : Set Seat & Backrest onto Hydraulic Pump & Base

• Parts Needed: Assembled Seat & Backrest + Assembled Hydraulic Pump & Base + fixing bolt of the pump + 4 long screws .

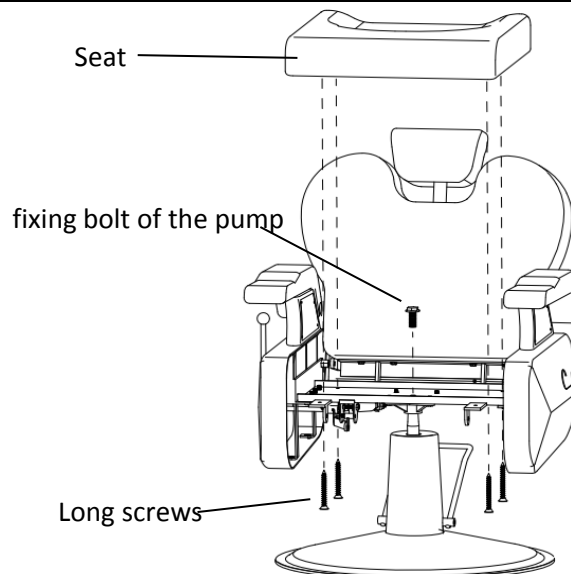
Step 1. Locate the slot in the short column under the Seat. Align this slot with the black pin at the top of hydraulic pump.

Step 2. Set assembled Seat & Backrest onto assembled Hydraulic Pump & Base and press down.



Step 3. Fix the pump by the fixing bolt of the pump.

Step 4. Fix the seat by the 4 long screws.



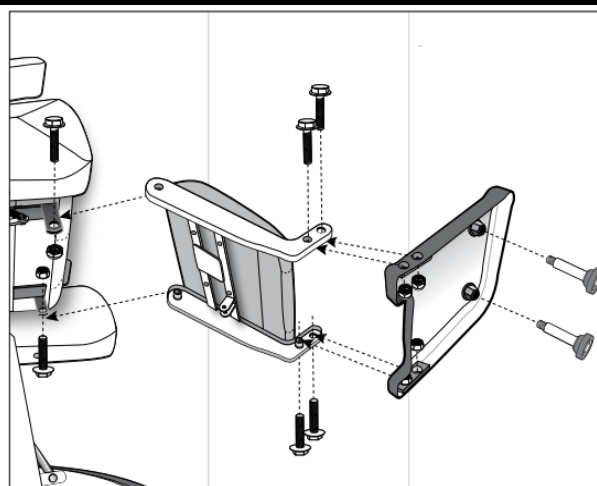
Tenth: Attach Seat to Leg-rest + Footrest + Footrest Supports

• Parts Needed: Assembled Chair + Leg-rest + Footrest + 6 Bolts + 6 Nuts

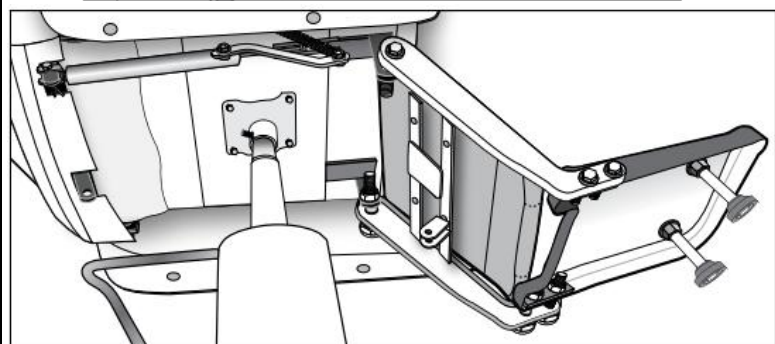
Step 1. Attach Leg-rest to Brackets under front of Seat.

Step 2. Attach Footrest to Leg-rest.

Step 3. Attach Footrest Supports to Footrest.



Assembled Seat & Pump + Base



Eleventh :Attach the Seat Back Stabilizer Bar

- Parts Needed: Assembled Chair + Stabilizer Bar + Clevis Pin + Cotter Pin + 1 Bolt + 1 Nut

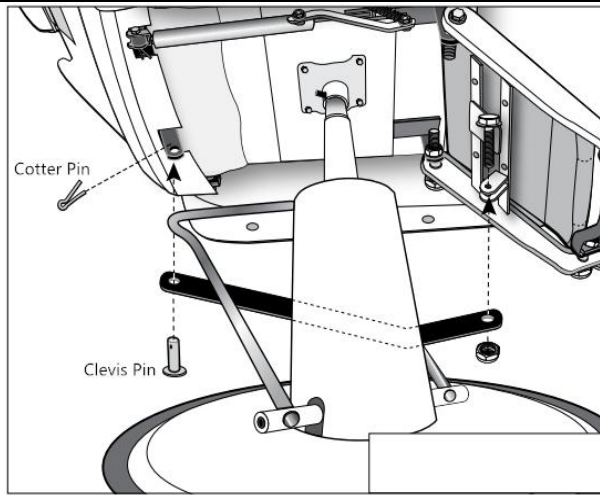
• Backrest must be fully reclined to attach Stabilizer Bar.

Step 1. Attach Stabilizer

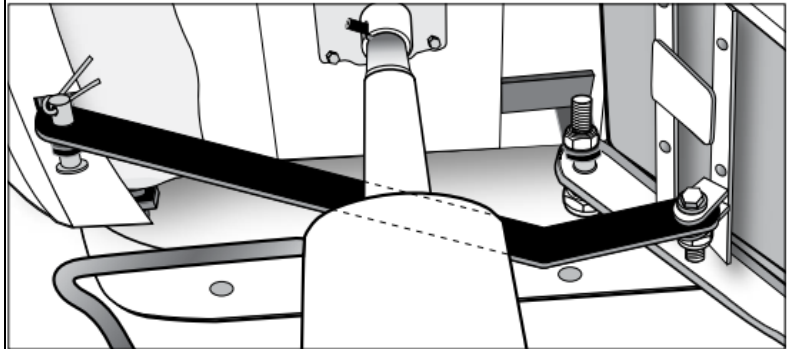
Bar to bracket at rear bottom of Seat.

Step 2. Attach Stabilizer Bar to

bracket on back of Footrest



Assembled Seat & Stabilizer Bar & Leg-res



OPERATING THE CHAIR

• Step down on the Foot Bar repeatedly to raise the chair to the desired height.

• Do not over-extend the chair, creating the risk of falls or tipping the chair and its occupant over, resulting in injury

• Step down and hold the Foot Bar to allow chair to lower.

• Push the lever backwards (35°~40°) and push the backrest to back . The backrest will tilt backwards;

loosen the lever to get the tilt degree of backrest ;Turn the lever again backwards (35°~40°) ,the backrest can Back to the original position.Don't push lever too hard. It 'll break lever.

• Press the button on the chrome plate and pull up to raise the Headrest or push down to lower it

