

ASSEMBLING & INSTALLATION INSTRUCTIONS

The drawing shown may not exactly match the product enclosed. However, the installation instructions do apply to this product.

- ◆ **WARNING! SHUT POWER OFF AT FUSE OR CIRCUIT BREAKER.**
- ◆ **ATTENTION! COUPER LE COURANT AU FUSIBLE OU UN DISJONCTEUR.**

MOUNTING THE FIXTURE (Fig.1)

1. Shut off the power at the circuit breaker box. Remove old fixture and all hardware from Junction Box.
2. Carefully unpack your new fixture and lay out all the parts on a clear area. Take care not to lose any small parts necessary for installation.
3. By measuring the both end holes distance of the mounting plate, drill holes in the wall, then loaded plastic anchors. Guide supply wires through hole in center of mounting plate.
4. Attach the mounting plate to the Junction Box with the two Junction Box Screws and two wood screws as shown. The side of the mounting plate marked "GND" must face out. **The junction box is not included.**
5. Follow wiring instructions carefully (see fig.2).
6. Place the lamp body(D) over the mounting plate, aligning the backplane mounting holes with mounting screws, then lock it securely with the column nuts(C).
7. Install the light bulbs(not included) in accordance with the fixture's specifications. **NOTE: DO NOT EXCEED THE MAXIMUM WATTAGE RATING!**
8. Raise the screw(B) insert to the small plastic shim, raise the glass(A) to the lamp holder, aligning the mounting holes with the pipe thread, then lock it securely with the screws(B).

CONNECTING THE WIRES (Fig.2)

1. Connect the electrical wires as follows. Connect the Black wire from the fixture to the black house (hot) Wire. Connect the white wire from the fixture to the white (neutral) house wire. Make sure all wire nuts are secured. You may wrap the connections with electrical tape. If your outlet box has a ground wires (green or bare copper) connect fixture's ground wire to it. Otherwise attach the bare copper fixture wire to the green ground screw on the mounting plate.
2. Tuck the wire connections neatly into the backplane.

Your installation is now complete. Return power to the junction box and test the fixture.

FIG.1

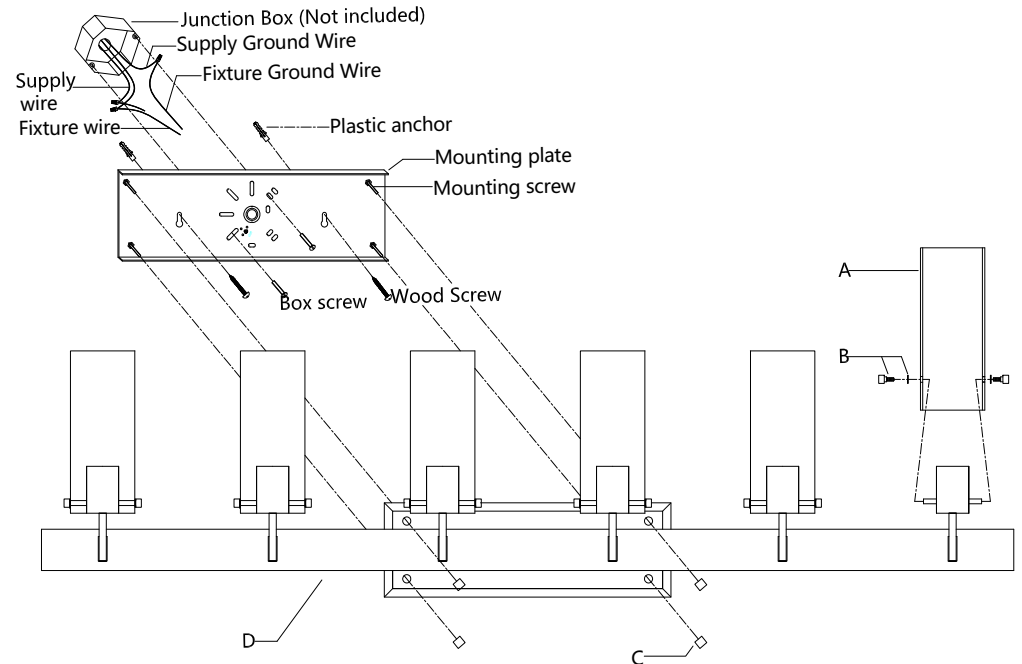


FIG.2

