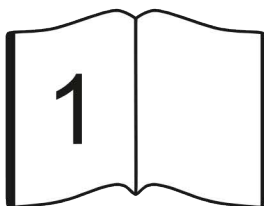
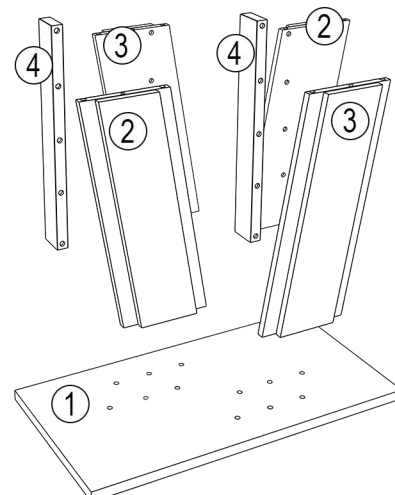
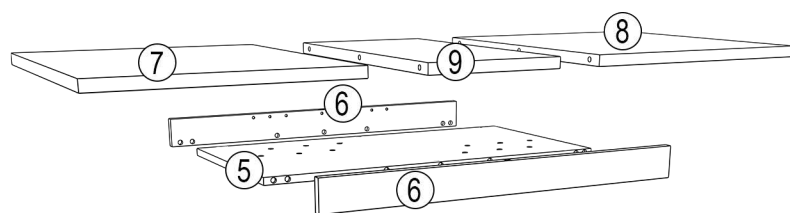
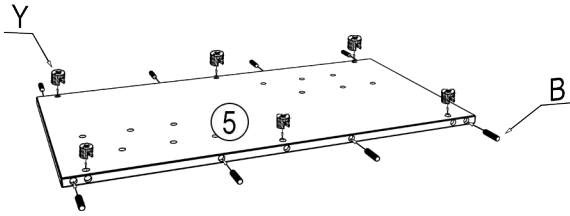
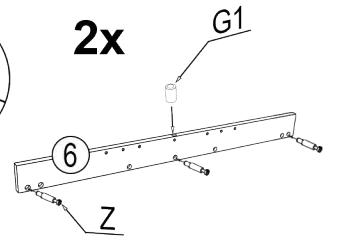
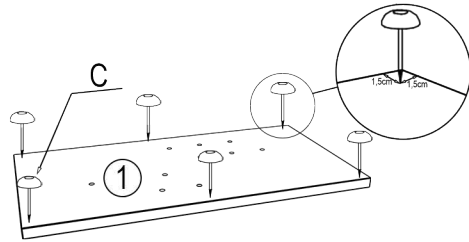
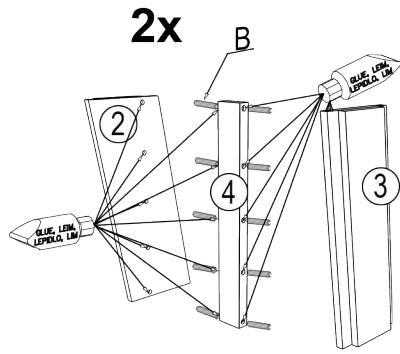


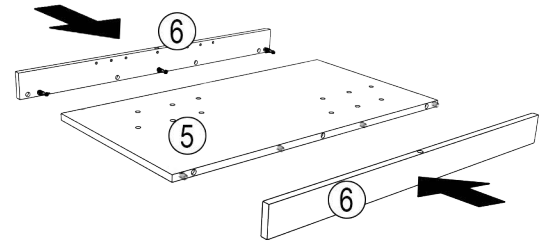
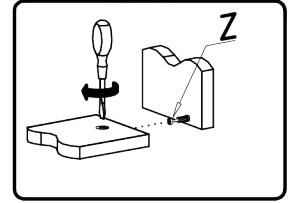
A 7x60 x12	A1 7x50 x12	B 8x30 x28	C x6	E GLUE, LEIM, LEPIDO, KLEI x1	F x1
G x8	G1 x8	H x4	I 4x15 x8	J 6,3x13 x30	
K x1	N x6	Y x6	Z x6		



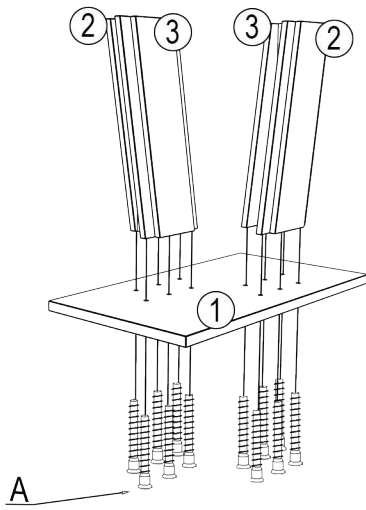
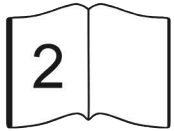
I



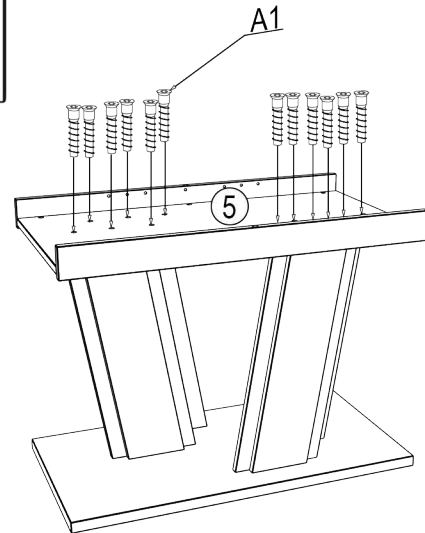
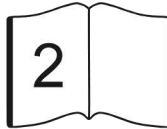
II



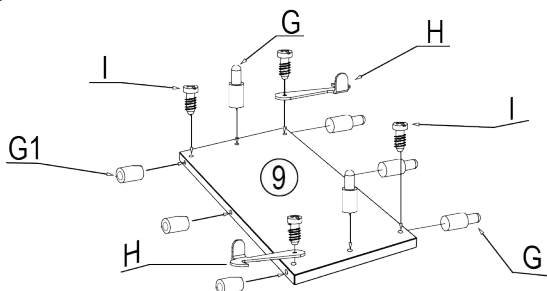
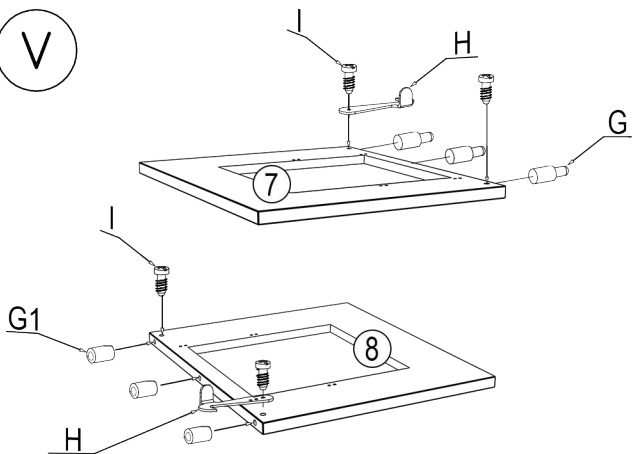
III



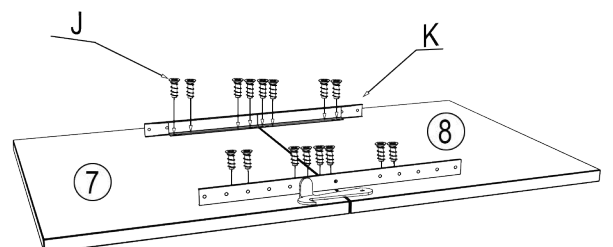
IV



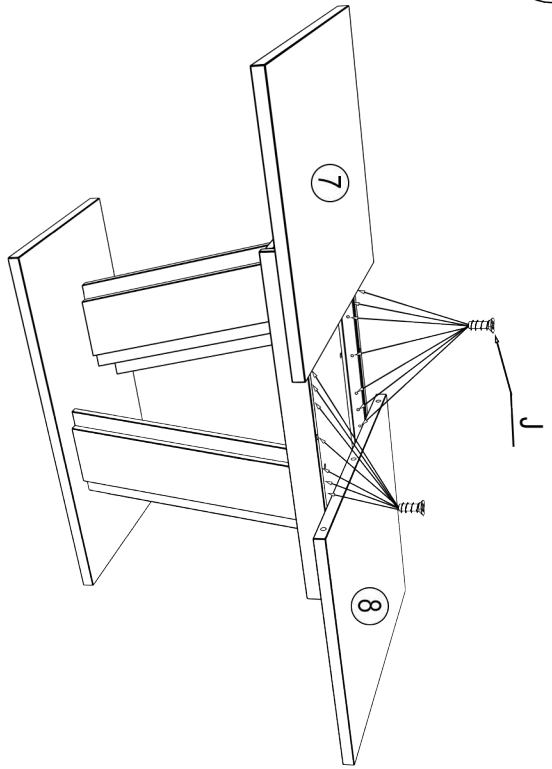
V



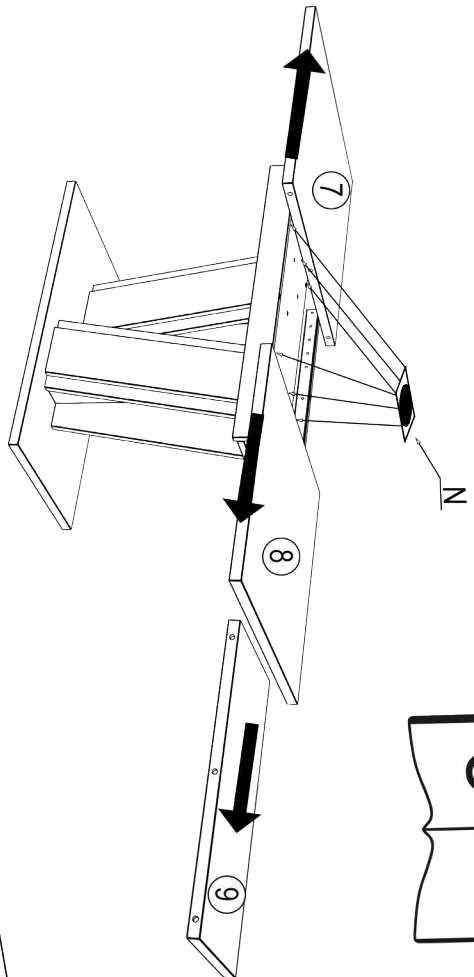
VI



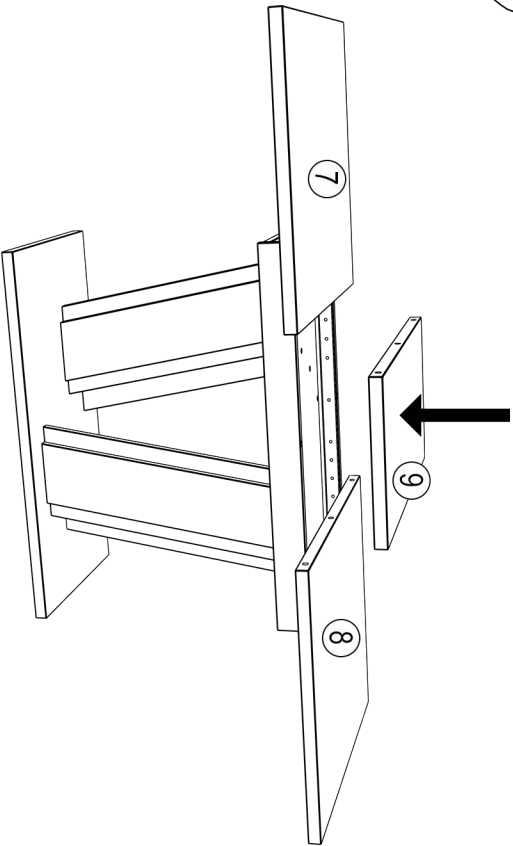
VII



VIII



IX



X

