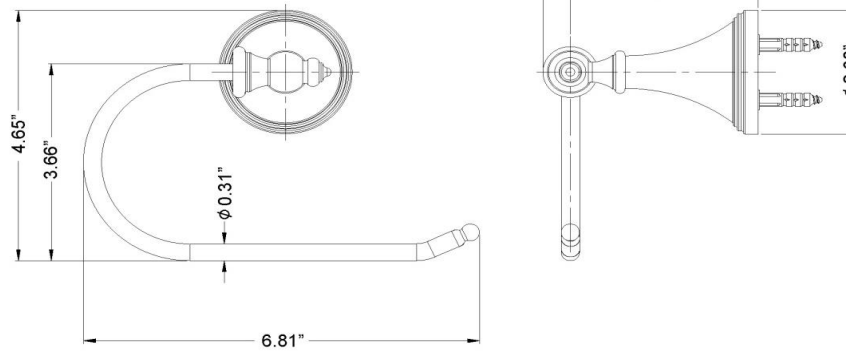


TECHNICAL DATA

#BA53 Series Euro-style Tissue Paper Holder



Specifications :

- * Tissue Paper Bar ~ Material : Aluminum or Steel
 - ~ Finish : Ch - Aluminum in Shiny Polished
 - : SN - Aluminum by Anodization
 - : ORB - Steel by Electroplating
- * Mounting Bracket ~ Material : Zinc alloy
 - ~ Finish : Chrome / SN / ORB - by Electro-plating
- * Mounting Hardware Included
 - : #10 x 1" Panhead Zinc-plated Steel Mounting Screws x 2 pcs
 - : Plastic anchor x 2 pcs

Arista Bathroom Accessories



WT International Inc.

4100 Cedar Commercial Drive NE, Cedar Springs, MI 49319, USA

sales@aristabath.com

