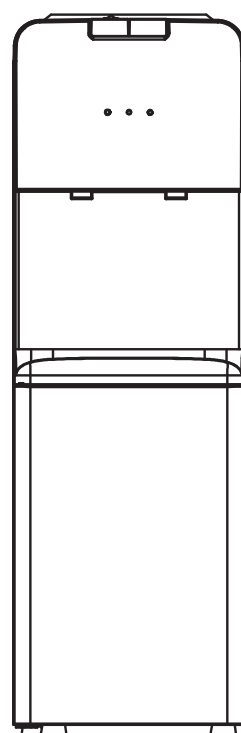


INSTRUCTION MANUAL WATER DISPENSER



120V,60Hz 650W

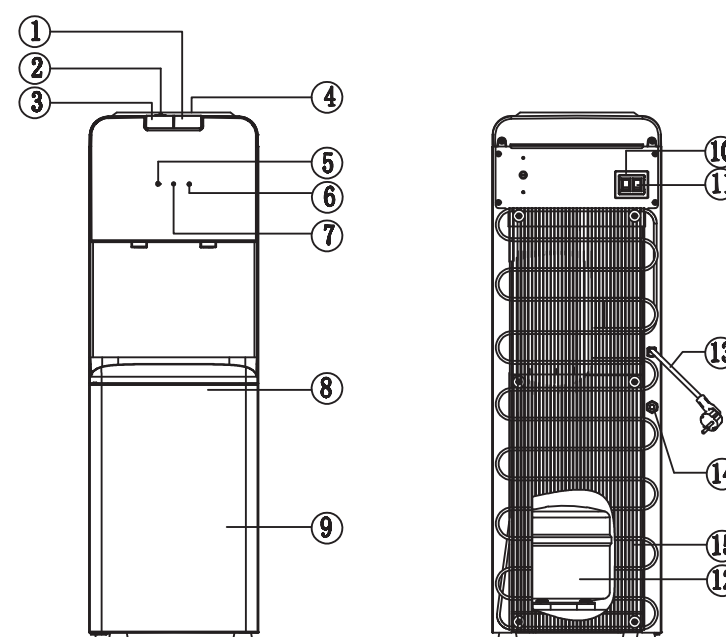
Returning Policy :If the item needs to be returned, please contact our Customer Service Team. We will provide a prepaid returning label. NOTE: We are not responsible for any costs incurred if the buyer returns the item themselves.

GENERAL SAFETY GUIDELINES

1. Read the user manual before operating any appliance or equipment
2. To avoid risk of electric shock, do not immerse the equipment in water or use it in damp conditions.
3. While plugging or unplugging a power cord, hold it by the plug. Never pull it by the cord.
4. Do not operate any equipment with a damaged power cord.
5. Check the voltage available at your home and ensure that it matches the voltage mentioned on your appliance before switching it on.
6. Do not attempt to repair the unit in case of any malfunction. Always take it to an authorized service centre.
7. Always keep the unit on a dry and flat surface.
8. Do not use any attachments other than the ones supplied by or specified by the manufacturer.
9. Always unplug the unit from the power source during lightning and thunder storms or when the unit is not used for a long period of time.
10. Never leave the unit unattended while it is in operation especially when children are around.
11. All the equipments are for household use only. Do not use it for commercial purposes.
12. Appliances and equipment are designed for indoor use. Do not use them outdoors unless they are specifically mentioned in the instruction manual.
13. Do not connect the equipment to an extension cord or multiple socket adaptor. Always connect the unit to the main socket. This is to prevent short circuits and sparking which can shorten the life of the unit.
14. Do not let the power cord hang over the edge of the table or work surface since a sharp edge can damage the cable over a period of time. Do not let it get tangled or come into contact with a hot surface.
15. The units can be cleaned with a damp cloth and immediately wiped dry. Do not use detergents or chemical cleaning agents to clean the unit.
16. Never touch any appliance or equipment with wet or damp hands.
17. If power cord is damaged, please replace it by the service center or the person who designated by the manufacturer or a qualified person to avoid electric shock.

2

CONSTRUCTION AND NAME

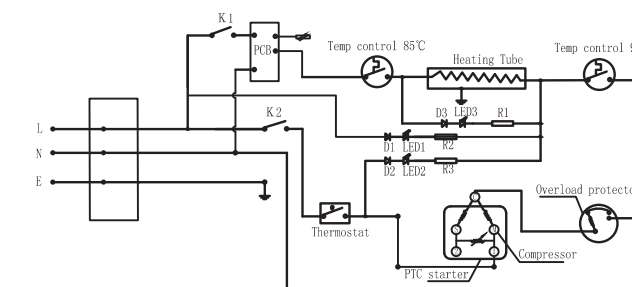


1. Cold water outlet valve
2. Water tray
3. Hot water outlet valve
4. Water storage
5. Power light (Yellow)
6. Refrigeration indicator lamp (Green)
7. Heating indicator lamp (Red)
8. Water receiving tray

9. storage cabinet
10. Refrigeration power switch (Green)
11. Heating power switch (Red)
12. Compressor
13. Power line
14. Escape valve turn cap.
15. Condenser

3

ELECTRIC PRINCIPLE DIAGRAM



(Note)

- | | |
|--|---|
| K1-Heating power switch (Red) | K2-Refrigeration power switch |
| FR-Heater lamp | LED2-Refrigeration indicator lamp (Green) |
| KT1,KT2--Jump temperature Control switch | D3-Diode |
| D1,D2-Diode | R2-Metal film resistance |
| LED1-Heating&Keep warm Indicator lamp (Red&Yellow) | TWK-Adjustable temperature control switch |
| R1-Metal film resistance | MQ-Motor start-up implement |
| | M-Compressor motor |
| | GB-Over load protector |

FUNCTION AND CHARACTERISTICS

1. The dispenser adopts advanced compressor refrigeration and heating methods with full automatic temperature controller. Its properties include light weight, Low noise, no pollution, fine safe function, quick heating, high heat efficiency and less power consumption.
2. The dispenser can supply ice cold water or hot boiling water for making tea, coffee and cold drinking. It is suitable for families, offices etc.
3. The electric elements and power line of the dispenser meet the state ETL safety authorization code.

4

USING METHODS

1. Remove the dispenser from the carton. Place it on the floor with the back of the dispenser about 15cm away from the wall.
2. Place the dispenser bottle filled with water with bottle holder down to the bottle holder.
3. Open the hot water tap, you should see air bubbles rising up in the bottle, which means the water is flowing into the hot water bucket. Push down the hot water valve continuously until the water runs out. Switch on the heating power switch, the red heating indicator lamp indicates that the heating has begun up.
4. When the red light is off, it means the temperature of the water in the hot bucket has reached about 203°F and the heating power has turned off, the bucket is now in warm keeping state. When the temperature drops down to about 185°F, the red lamp shows, which means the heating has started again.
5. Dispenser uses compressor refrigeration, switch on the refrigeration power switch, the green light indicates the refrigeration has commenced.
6. When the green light is off, it means the temperature of the water in the cold bucket has reached about 47°F, the compressor power is off, which means the water bucket is in cool keeping state. When the temperature rises up to 54°F, the green lamp lights on, the refrigeration starts again.

CLEANING METHODS

1. Before washing, you must switch off the power at first.
2. Ensure water quality by washing the dispenser monthly.
3. Before using for the first time, the user should clean the outside and inner pipe connectors. Firstly put the bottle into dispenser, and then open the two taps until it has flowed out about 5litres of water.
4. When washing, firstly remove the bottle, then remove the bottle holder (turn in the counter clockwise, then move upward) and wash with clean water. Wipe the water storage bucket with clean wet cloth and avoid waste and dirt into the dispenser while wiping.

5

5. Do not pour water into dispenser shell and do not wipe or wash dispenser body with a gas or organic solvent when the water storage bucket is in cool keeping state. When it rises up to 54°F the green light is on, the refrigeration starts.

POINTS FOR ATTENTION

1. The dispenser must use the three-free-fuse socket with electric protective switch and ground wire independent.
2. The dispenser must fill water at first then switch it on. Switch on and heat the dispenser when it has no water inside is strictly forbidden to avoid the break of heater.
3. The back of the dispenser can't close to the wall and should be 15cm away from the wall in normal way. The machine must keep away high temperature and avoid Long-term sunlight.
4. Don't put any odds on the dispenser to avoid polluting water or affecting the lifetime of the dispenser.
5. Don't let children press the hot water tap to avoid scald.
6. If you will not use the dispenser for a long time, please switch off the power and open the escape valve turn cap, draw off the remain water in the dispenser.

TECHNICAL SPECIFICATIONS

UTILITY ENVIRONMENT WARM MEASURE	50°F -104°F
HEATED POWER	550W
REFRIGERANT POWER	100W
POWER SUPPLY	120V 60Hz
HOT WATER	185°F -203°F
COLD WATER	≤48.2°F
CONTROL HOT WATER ABILITY	6.5L/h
CONTROL COLD WATER ABILITY	1.2L/h
PROTECTION AGAINST ELECTRIC SHOCK TYPE I	
REFRIGERANT CRYOGEN	R134a/30g

If there are any changes in the electric principle diagram and technical parameters, take the data plated on the body as the standard one. Excuse us for not notifying it separately. Please keep-the Owner's Manual carefully.

6

ATTENTION

1. Do not mangle the cooling system.
2. Please use the correct plug type with correct methods to avoid fire.
3. This appliance is not intended for use by people (including children) with reduced physical, sensory or mental capabilities, or instruction concerning use of the appliance by a person who is responsible for their safety.
4. Children should be supervised to ensure that they do not play with the appliance.
5. If the supply cord is damaged, it must be replaced by the manufacturer, its service agent or similarly qualified people in order to avoid a hazard.
6. To avoid a hazard due to instability of the appliance, it must be fixed in accordance with the instructions.
7. Do not store explosive substances such as aerosol cans with a propellant in this appliance.
8. This device is used as the household appliance and is only recommended for indoor water drinking.

7

Thank you for purchasing this product! If you have questions about the product such as missing parts, damaged products, product assembling and operation etc., please contact us via **Amazon Message** or customer service email: eleappliance-service@outlook.com

IMPORTANT

If you have a problem with this product, please contact us: eleappliance-service@outlook.com
DATED PROOF OF PURCHASE, MODEL # AND SERIAL # REQUIRED FOR WARRANTY SERVICE

IMPORTANTE

Si tiene algún problema con este producto, póngase en contacto con nosotros: eleappliance-service@outlook.com
SE REQUIERE PRUEBA DE COMPRA FECHADA, MODELO Y SERIE PARA EL SERVICIO DE GARANTIA

8