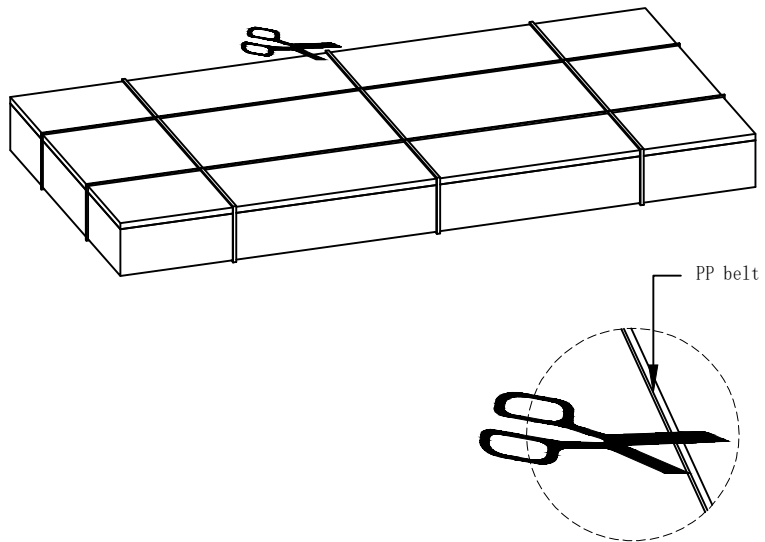
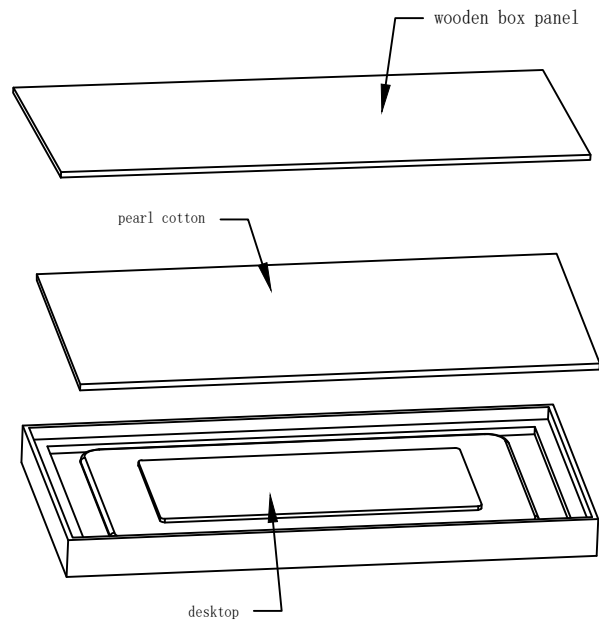


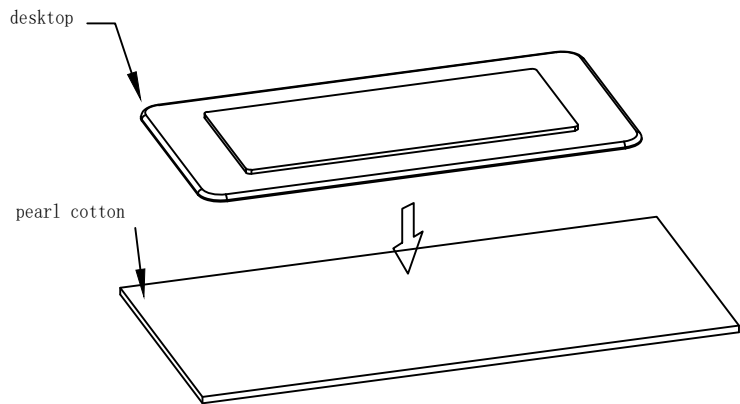
1. Unwind the PP belt with the scissors.



2. Take out the wooden box panel, remove the pearl cotton, and place it aside.



3. Place the desktop on the removed pearl cotton place (avoid collision and damage to the desktop).



4. Four people need to place the dining table above the dining table base before installation.

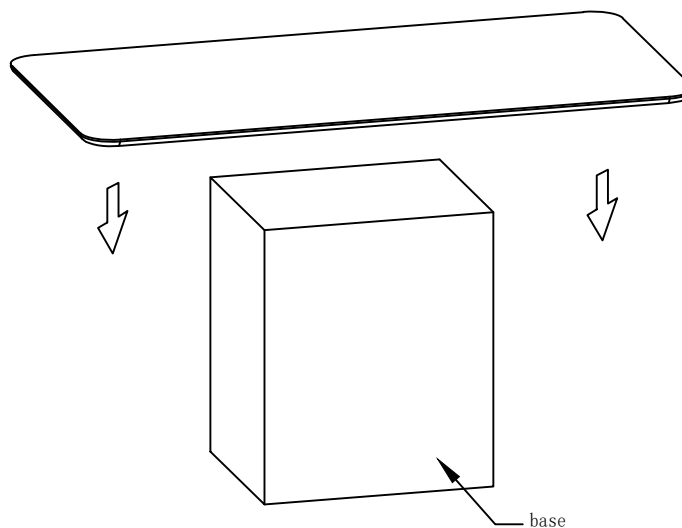
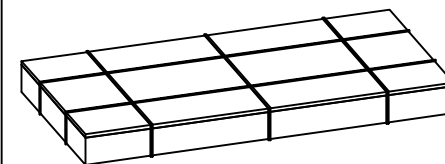


Table unpacking instructions



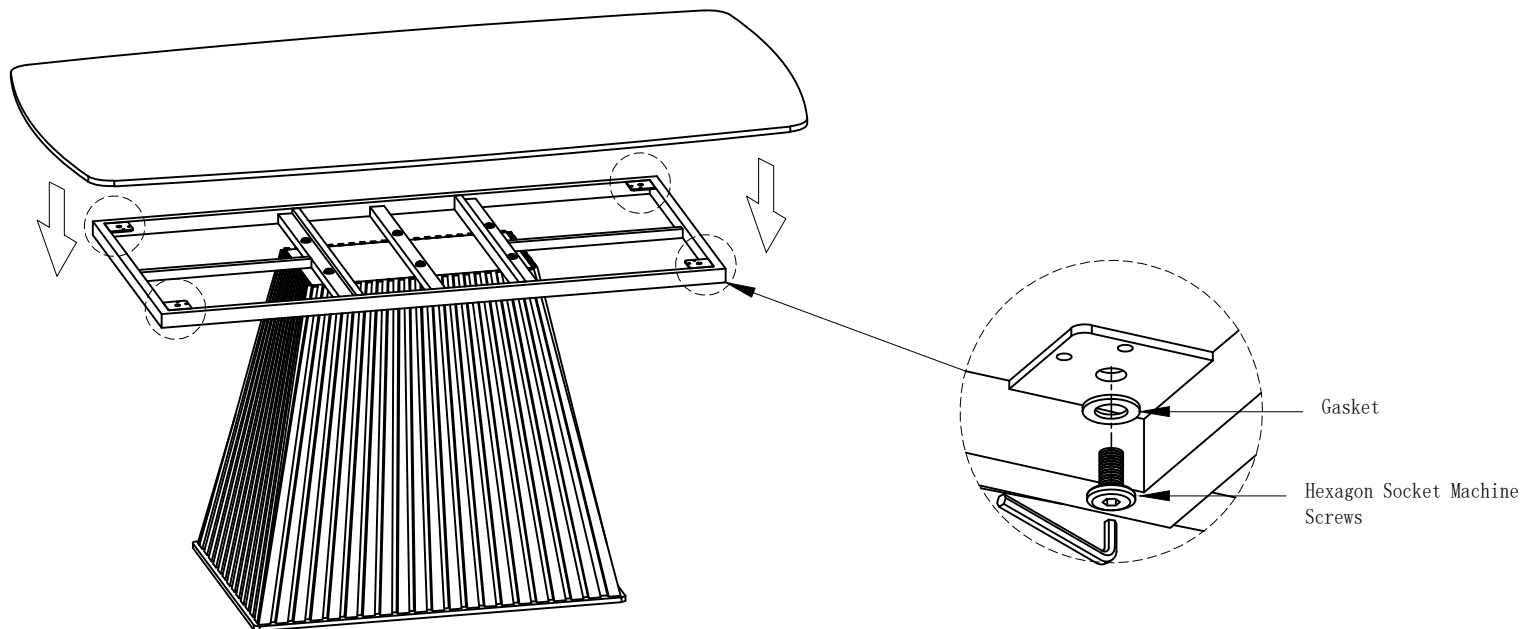
Number of people needed:4

- ① Please read the manual carefully before installing this product. And strictly follow the installation process
- ② Please take good care of this manual for your next installation

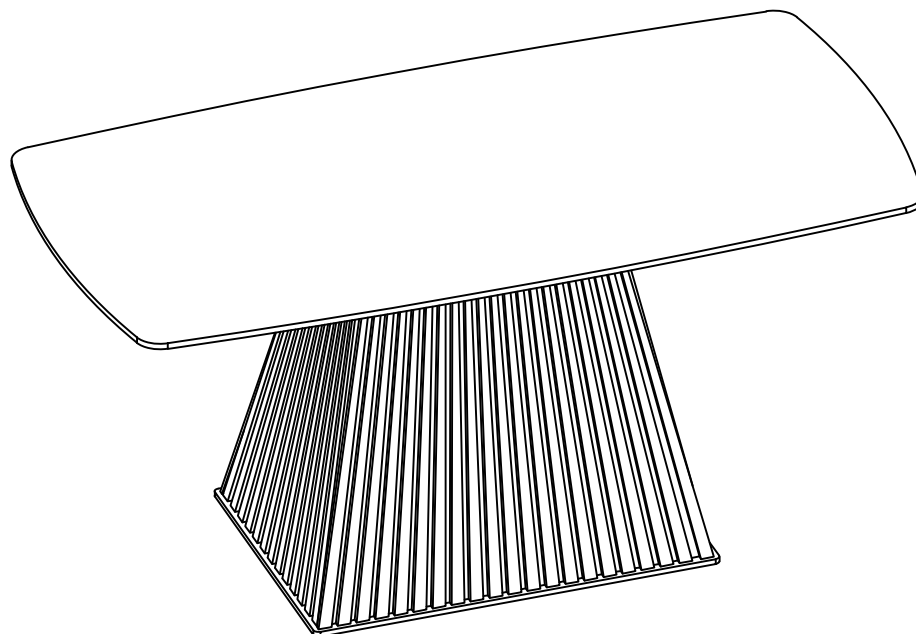
Parts list

Serial number	Shape	Name	Quantity

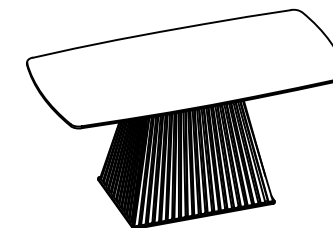
1. Place the table top on top of the frame, align the interconnected holes, put in the hexagon socket machine screws, and tighten the hexagon socket machine screws with a wrench.



2. Installation Completed








Installation instruction



DT8078E160/180 Installation

The number of people needed for installation: 2

- ① Please read the manual carefully before installing this product. And strictly follow the installation process
- ② Please take good care of this manual for your next installation
- ③ Note: Before installation, screw all the screws to 1/2 of the length of the installation. After all screws are half screwed in, tighten them all together.

Parts list		On a red ribbon are furniture installation accessories		
Serial number	Shape	Name	Quantity required for installation	Spare quantity
A		Hexagon Socket Machine Screws (M8*15mm)	4	1
B		Gasket	4	1
C		Wrench	1	0
D		Self-Drilling Screw (M4*15mm)	0	10
E		Mechanical Adjustment Foot (M8*15mm)	0	2
F				
G				