

## **Installation Manual of Bed**

**Dear Valued Customer:**

Thank you for choosing our brand and purchasing our bed frame!

We are thrilled to have earned your trust and we want to ensure that you are completely satisfied with your purchase. To help you get the most out of your new bed frame, we would like to share some useful tips on cleaning and maintenance.

When cleaning your bed frame, we recommend using a soft, slightly moist cloth. Avoid using corrosive detergents, wire brushes, abrasive scourers, or any sharp metal objects as they may damage the product.

Additionally, we recommend checking the components of the bed frame regularly to ensure that all screws are tightened and the frame remains stable.

Installing the bed frame is a simple process. Please refer to the detailed instructions in the manual for step-by-step guidance.

Customer satisfaction is our top priority and we are committed to providing you with the best service and high-quality products. If you have any questions or concerns regarding your bed frame, please don't hesitate to contact our customer service team at email. We are here to help you and resolve any issues you may have. To solve your problem faster, please note the following information in the email.

Contact : [AMZ11service@outlook.com](mailto:AMZ11service@outlook.com).

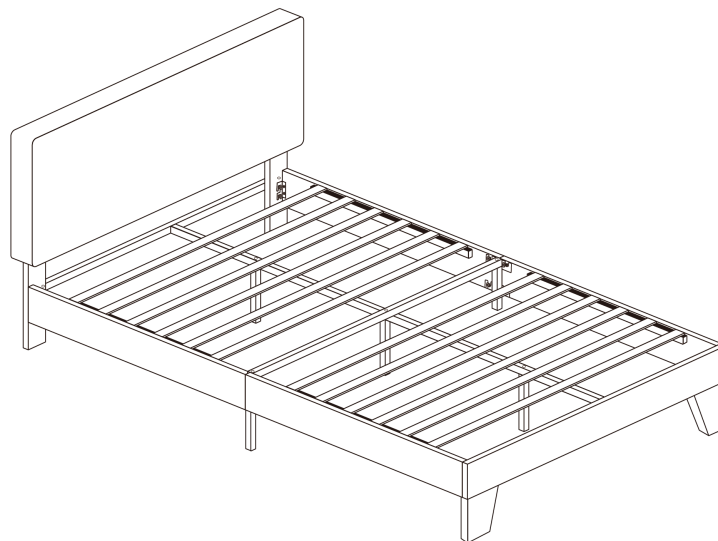
Theme: Beds Service

Content: Name-XXX

Order ID Number: xxx-xxxxxxx-xxxxxxx

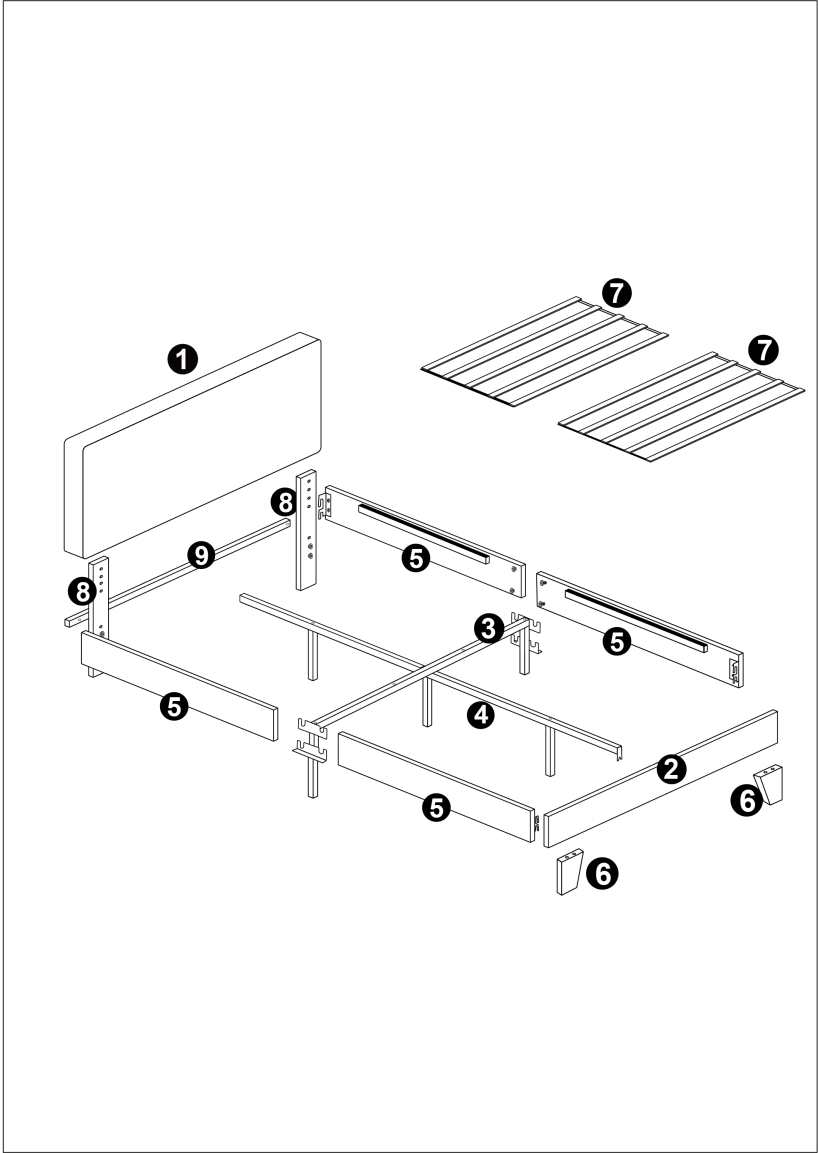
Once again, we would like to express our gratitude to you for choosing our product. Your trust and support mean the world to us. We look forward to continuing to provide you with the best products and services possible.

Best Regards,  
Customer Service Team

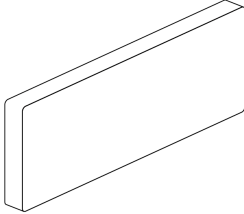
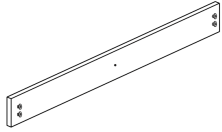
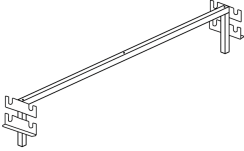
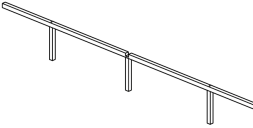
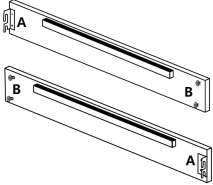
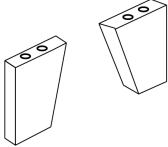
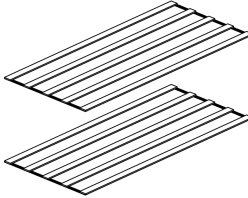
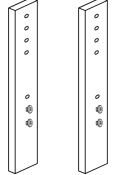
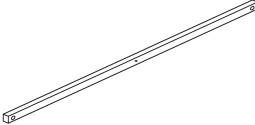


#### IMPORTANT NOTE

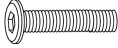
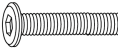

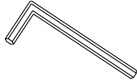
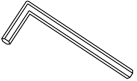
1. Please check that all parts are complete before installation.
2. Please strictly follow the installation steps to install.
3. Please install the bed on a clean and smooth surface to prevent any damage.
4. Please do not use the power tools to assemble the bed.
5. Please periodically check all the fittings and re-tighten as necessary.
6. Please do not use the bed unless all bolts and screw are firmly secured.
7. Please contact us if you need any help, we will reply you in six hours.



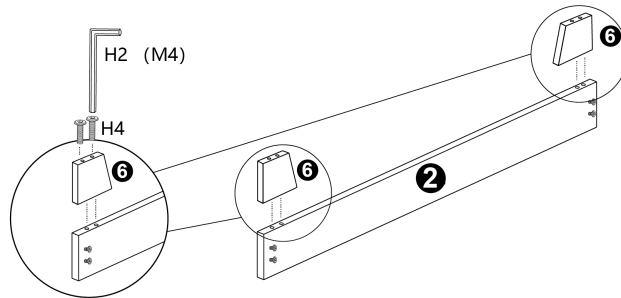
### PART LIST

<p>(1) Headboard panel x 1pcs</p> 	<p>(2) Tailboard x 1pcs</p> 	<p>(3) Transverse center x 1pcs</p> 
<p>(4) Center support bar x 1pcs</p> 	<p>(5) Side panel x 4pcs</p> 	<p>(6) Leg with anti-slip gasket x 2pcs</p> 
<p>(7) Slat x2pcs</p> 	<p>(8) Headboard support x 2pcs</p> 	<p>(9) Headstock bar x 1pcs</p> 

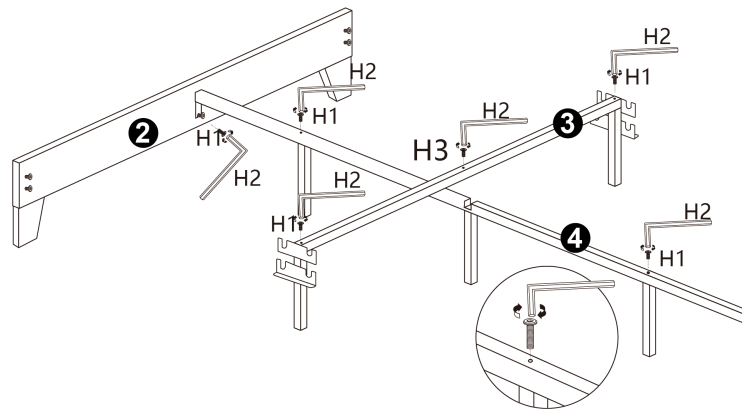
### PART LIST

<p>(H1) Bolt M8x40mm x 11pcs</p>  <p>(H3) Bolt M8x50mm x 1pcs</p>  <p>(H4) Bolt M6x70mm x 4pcs</p>  <p>Bolt M8x20mm Spare parts x 1pcs Bolt M8x35mm Spare parts x 1pcs</p>	<p>(H2) Allen Key M5 x1pc (Installation tool)</p> 	<p>(H2) Allen Key M4 x1pc (Installation tool)</p> 
---	---	---

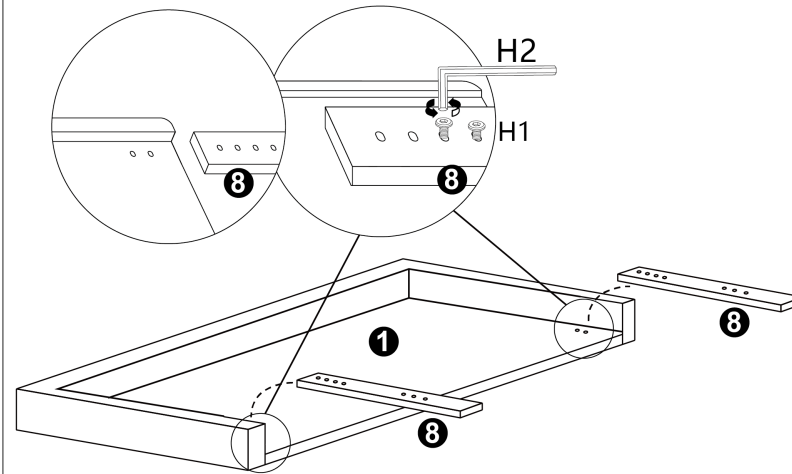
Step 1 Please install part (6) to part (2) separately Use (H4) screws to pass through the bottom of the bed and tighten with H2 (M4)



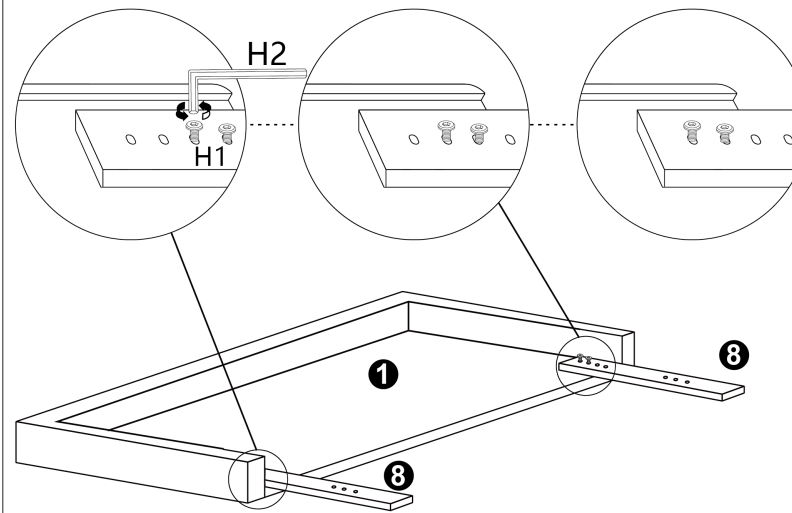
Step 2 Install the part (4) on the part (2), then install the part (3) on the part (4), tighten the middle of the part (3) and the part (4) with H3, and tighten the rest with H1



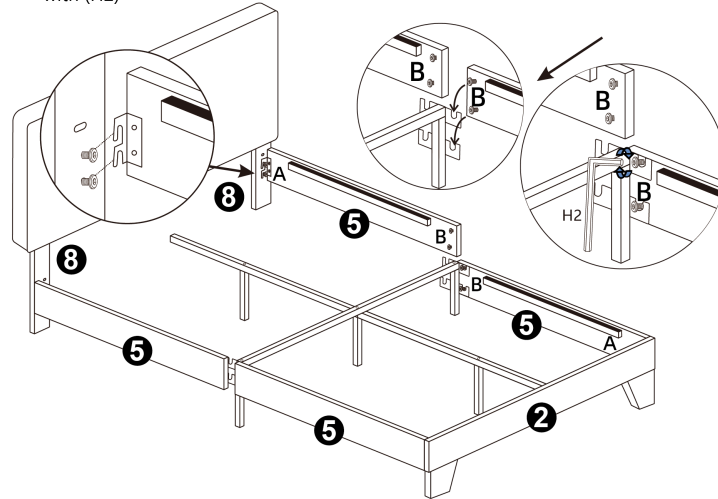
Step 3 Lay the headboard (1) flat on the clean floor, put the headboard support frame (8) on it, and tighten it with (H1) and (H2).



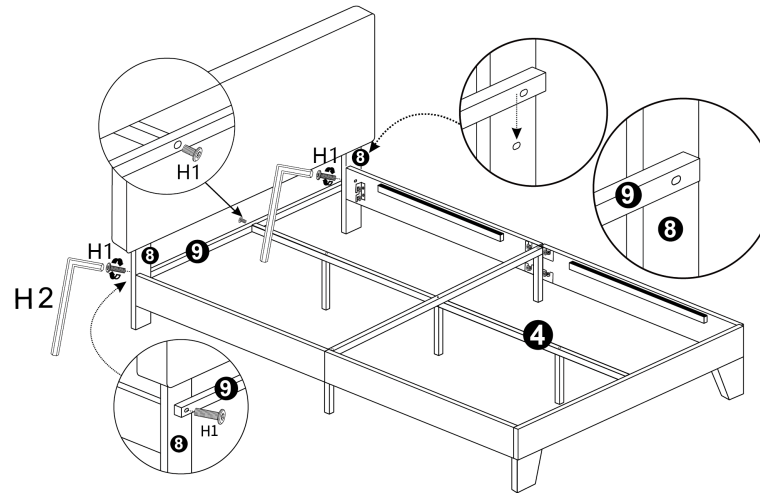
Step 4 Three heights can be adjusted.



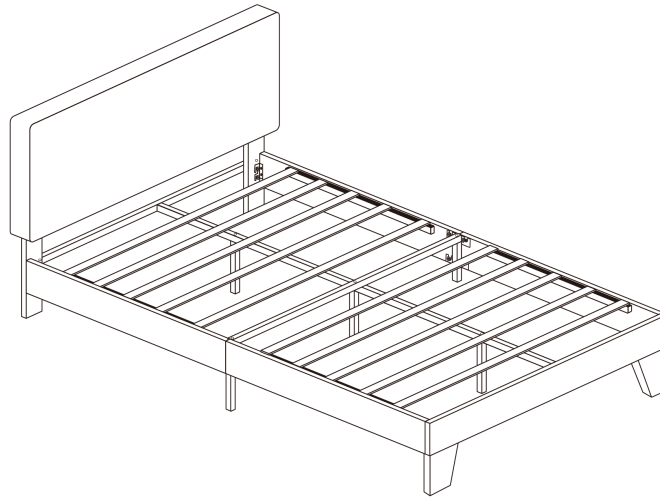
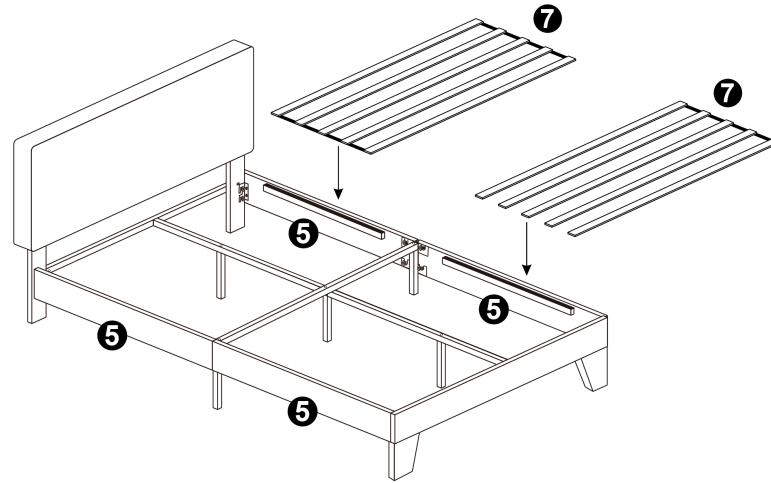
Step 5 Please connect the side panel (5) with holes to the headboard bracket (8), and connect the side panel (5) without holes to the footboard (2), and tighten them with (H2)

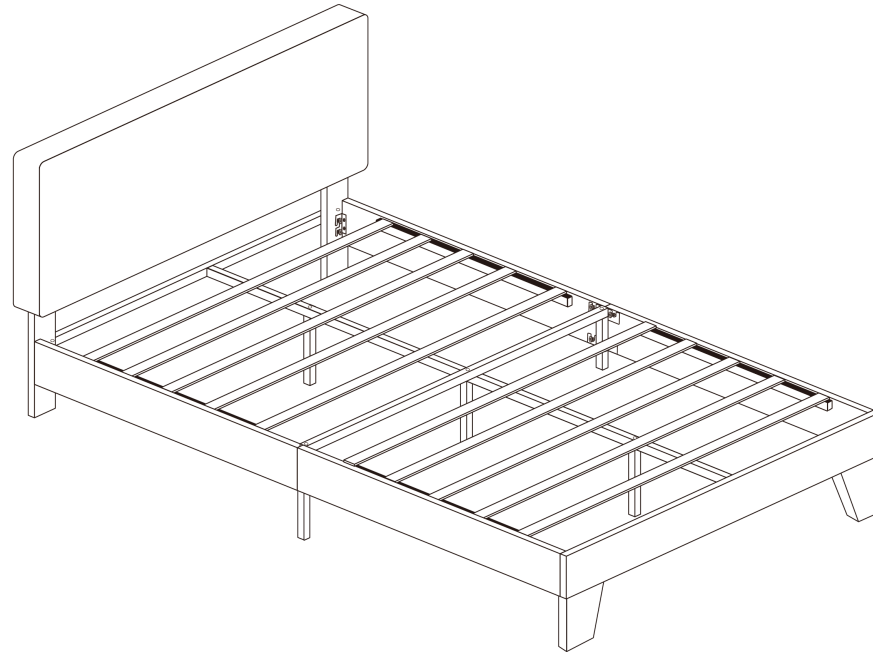


Step 6 Place the headstock rod (9) behind the bedside bracket (8) and tighten it with (H1). Tighten the headstock rod (9) and the center support rod (4) with (H3)



Step 7 Attach the part (7) to the Velcro on the part (5)





**Job complete!**

In the interest of our environment, please dispose  
of all packaging thoughtfully, thanks!

We' love to hear from you!