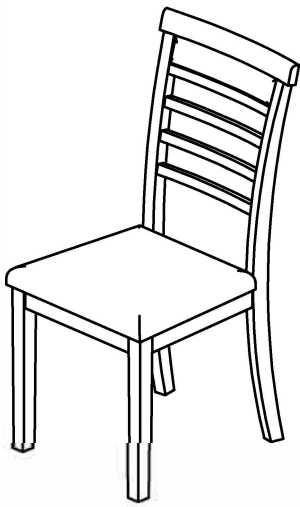


ASSEMBLY INSTRUCTION



Thank you for purchasing this product. Please take time to read and follow instructions below. Check that you have all parts and hardware before assembly. Parts apparently missing are often found in packing materials. If you do not have all parts listed, call us and they be sent to you immediately .



It is recommended to install protective pads under all legs and supports to avoid damage or scratches when placing furniture on a wood floor or other hard surface, and to limit indentation and prevent discoloration if placing on carpet.

PARTS LIST

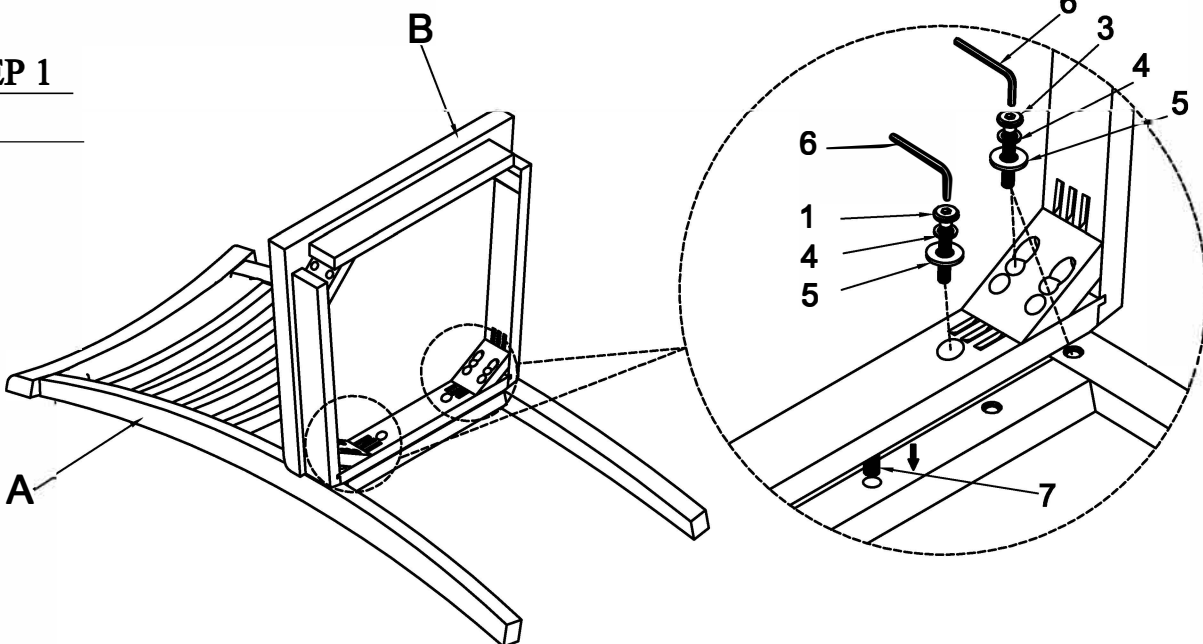
NO	Sketch	Description	Quantity
A		CHAIR BACK	1PC
B		SEAT FRAME WITH CUSHION	1PC
C		LEG	2PCS

HARDWARE LIST

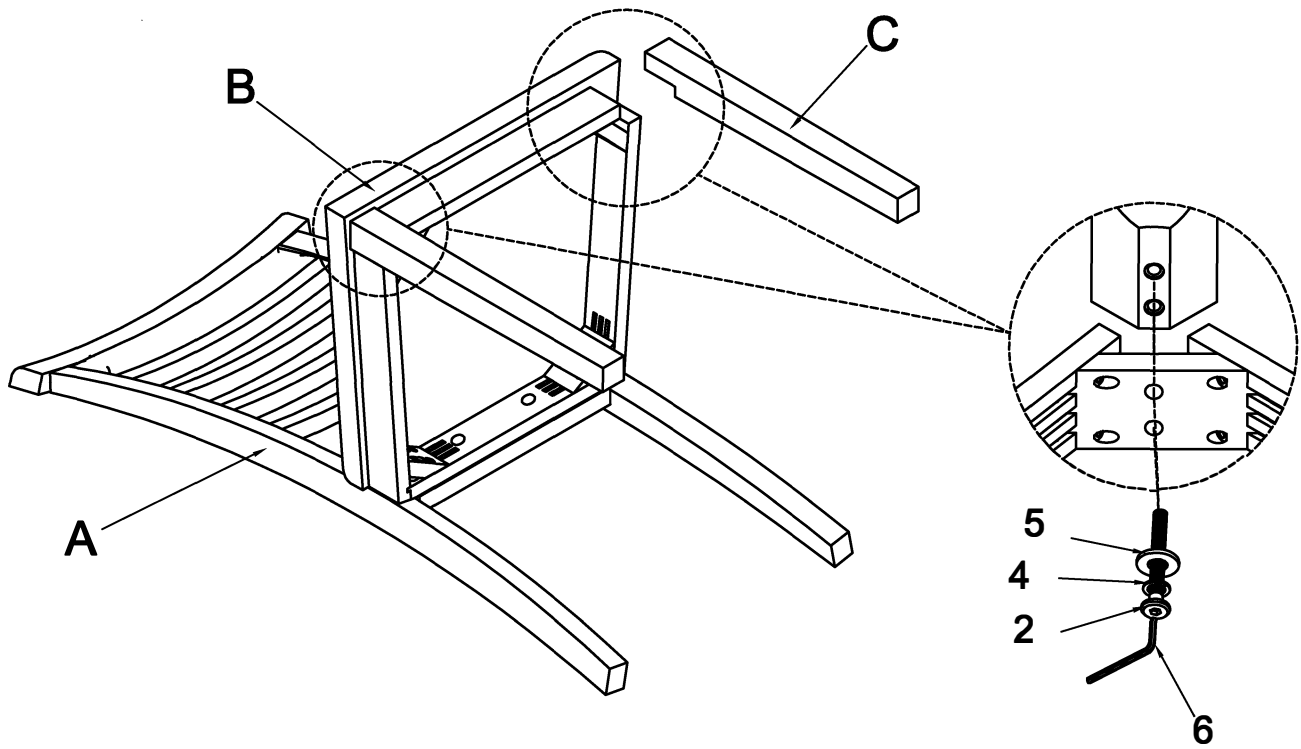
NO	Description	Size	Sketch	Quantity
1	BOLT	Ø1/4" x 1-1/2"		2PCS
2	BOL	Ø1/4" x 2-3/8"		4PCS
3	BOLT	Ø1/4" x 3"		4PCS
4	LOCK WASHER	Ø1/4"		10PCS
5	FLAT WASHER	Ø1/4" x 1/16"		10PCS
6	ALLEN KEY	1/6" x 2-1/4"		1PC
7	WOOD DOWELS/	Ø8X1-1/8"MM		1PC

****DO NOT TIGHTEN BOLTS UNTIL COMPLETELY ASSEMBLED.**

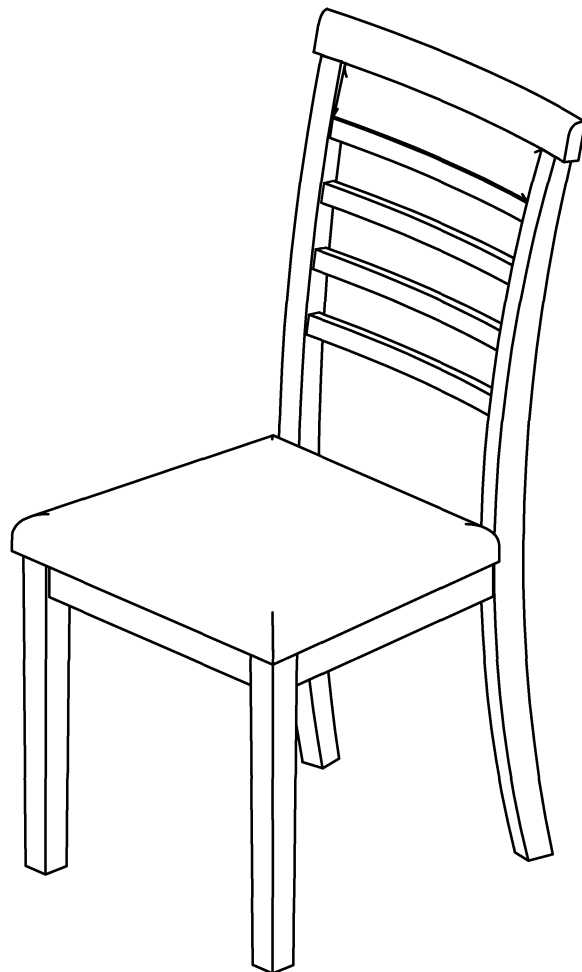
STEP 1



STEP 2



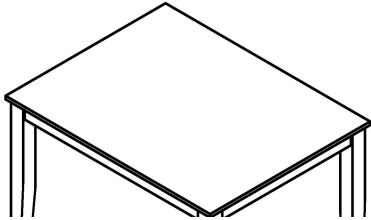
STEP 3



COMPLETED

ASSEMBLY INSTRUCTION

Thank you for purchasing this product. Please take time to read and follow instructions below. Check that you have all parts and hardware before assembly. Parts apparently missing are often found in packing materials. If you do not have all parts listed, call us and they be sent to you immediately .

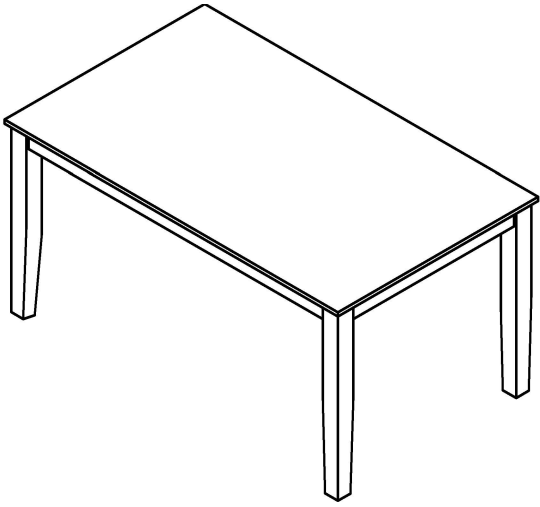
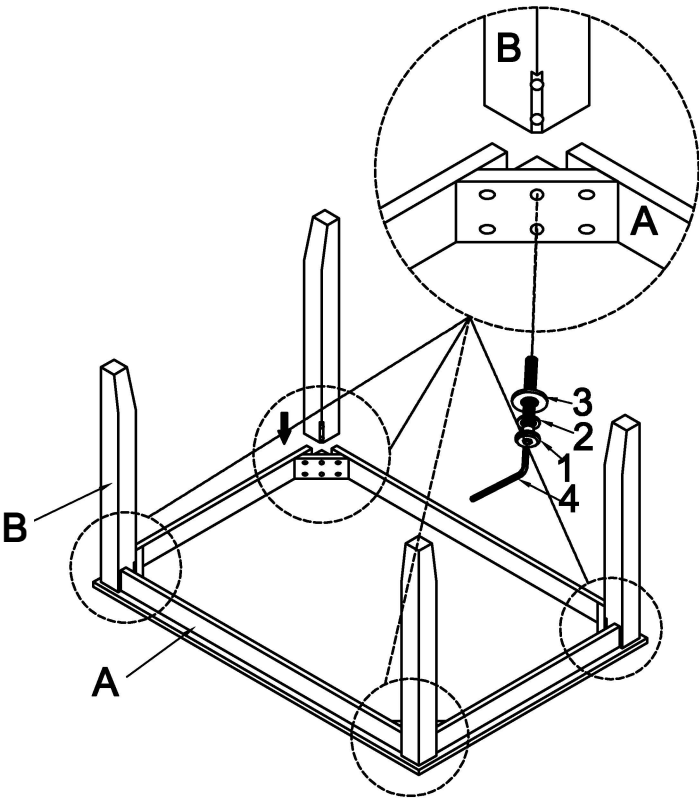


It is recommended to install protective pads under all legs and supports to avoid damage or scratches when placing furniture on a wood floor or other hard surface, and to limit indentation and prevent discoloration if placing on carpet.

PARTS LIST			
NO	Sketch	Description	Quantity
A		TABLE TOP	1PC
B		LEG	4PCS

HARDWARE LIST				
NO	Description	Size	Sketch	Quantity
1	BOLT	Ø5/16" x 2-5/8"		8PCS
2	LOCK WASHER	Ø5/16"		8PCS
3	FLAT WASHER	Ø5/16" x 1/16"		8PCS
4	ALLEN KEY	1/6" x 2-1/4"		1PC

****DO NOT TIGHTEN BOLTS UNTIL COMPLETELY ASSEMBLED.**



COMPLETED