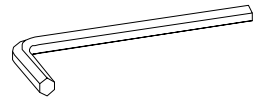


ASSEMBLY INSTRUCTION

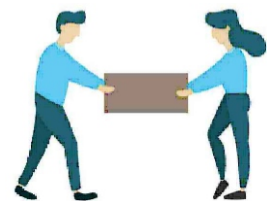
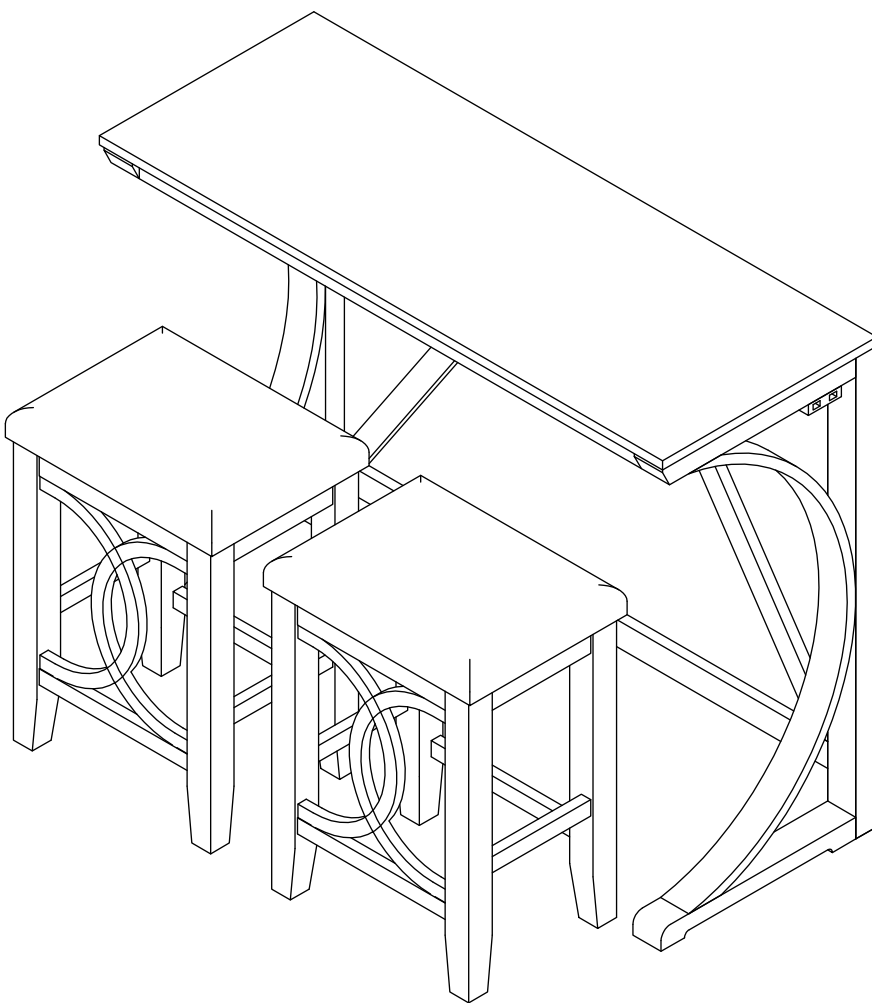
TOOLS REQUIRED



Allen key
(Included)



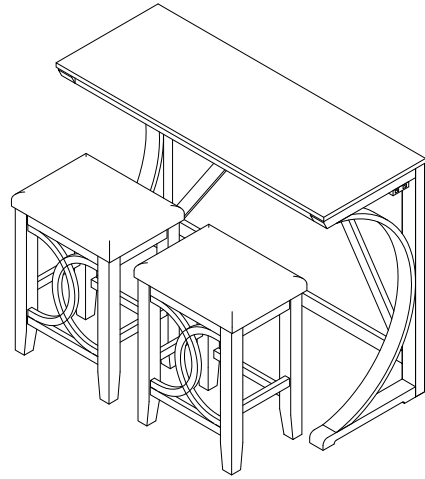
Screwdriver
(Not included)



2 - People

Enjoying this product? We'd love your 5-star review!
If you have any issues, our support team is happy to help.

ASSEMBLY INSTRUCTION



CHECK BEFORE STARTING

Are you missing anything?

Please double check all hardware and parts match the assembly guide before putting the product together. If damaged, we suggest you put the item back in the box and start your claim or return

Should we send any replacements?

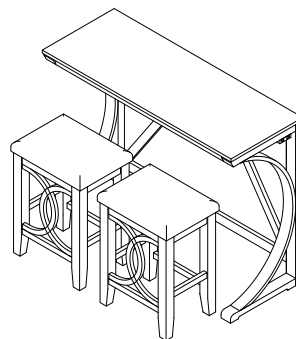
If there are any manufacturer defects or missing pieces please contact us for replacements. If purchased online, please contact the website of where you purchased it from, **DIRECTLY**

IMPORTANT INFO before assembly:

If there's a problem with the parts do not attempt to assemble the product

- Place all parts on a clean and smooth surface such as a rug/carpet to avoid parts from being scratched
- When tightening screws to product do not overtighten until product is fully setup
- If product is too heavy for a single person to carry do not attempt and ask for assistance
- DO NOT DRAG or PUSH item to desired location. Must be carried when moving
- If item is not working as intended please review the assembly guide to see if any steps were missed or incorrectly built. If there's a problem with part please contact seller for additional assistance
- Please keep all hardware and small parts away from pets/infants
- Please wear gloves or protective gear to protect from getting cuts
- It is normal for new furniture to have an off gassing smell. Please air out furniture near a window for a few hours or a day before placing it in its desired location
- All products may have a slight color and texture variation due to different shipments, natural materials, screen- resolutions, or lighting in home. Images are rendered by different devices or websites

ASSEMBLY INSTRUCTION



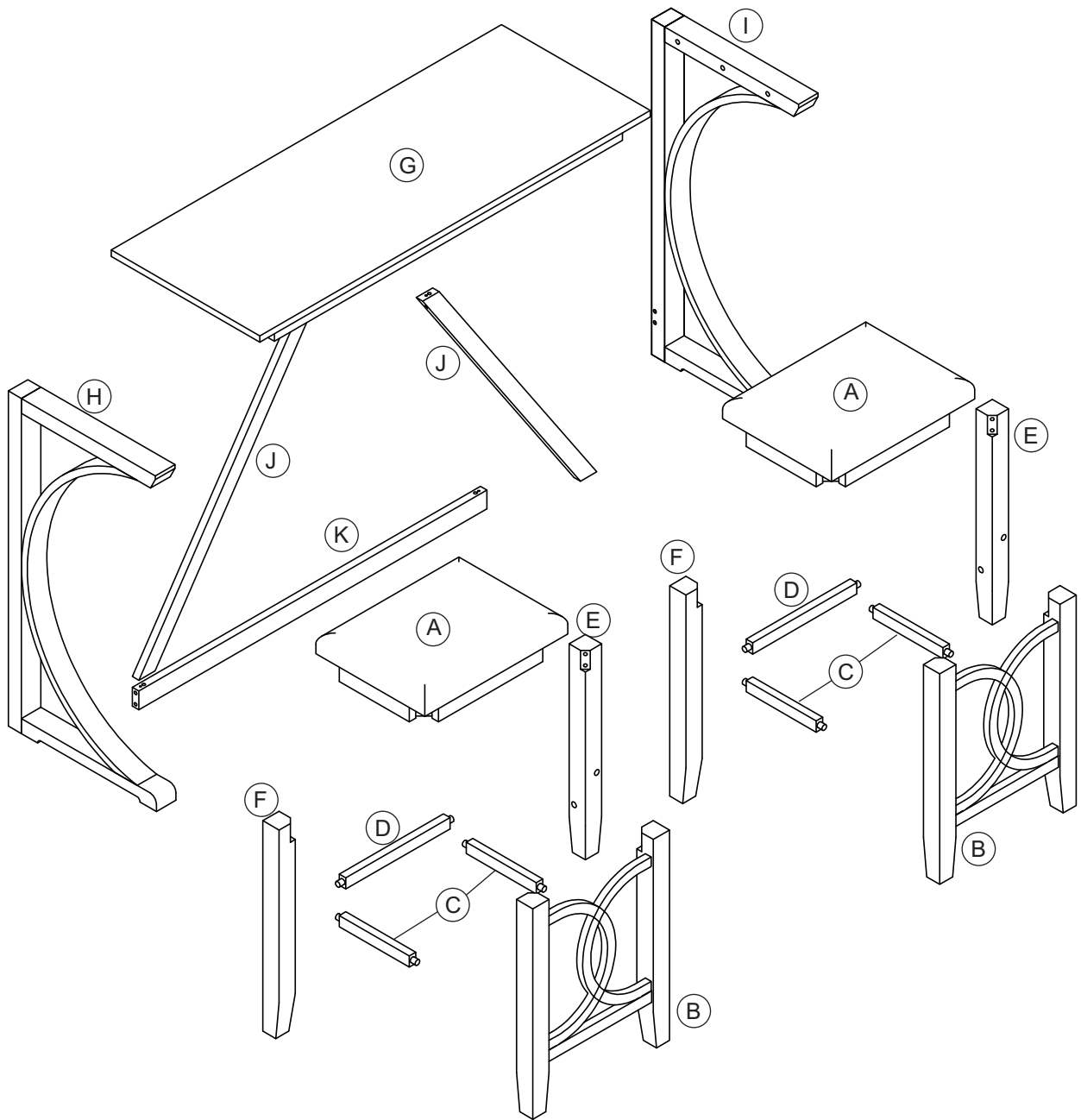
PARTS LIST

NO.	COMPONENT	SKETCH	QTY.
A	CUSHION SEAT		2 PCS
B	LEG FRAME		2 PCS
C	SHORT SIDE STRETCHER		4 PCS
D	LONG SIDE STRETCHER		2 PCS
E	LEG (Right)		2 PCS
F	LEG (Left)		2 PCS
G	TABLE TOP		1 PC
H	LEG (Left)		1 PC
I	LEG (Right)		1 PC
J	SUPPORT ROD		2 PCS
K	TABLE STRETCHER		1 PC

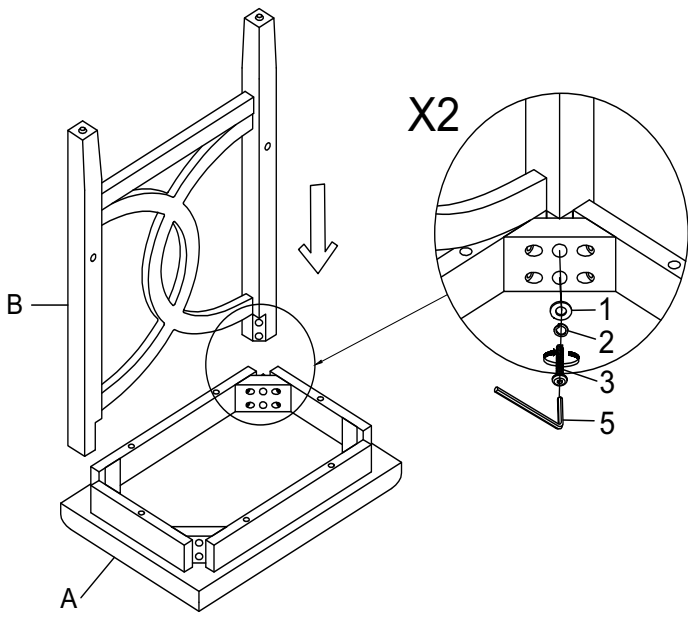
HARDWARE LIST

NO.	COMPONENT	SKETCH	QTY.
1	FLAT WASHER 1/4" DIA.		16 PCS
2	SPRING WASHER 1/4" DIA.		16 PCS
3	BOLT 1/4" x 2 1/4"		16 PCS
4	WOOD SCREW #8 x 1 3/4" L		12 PCS
5	ALLEN KEY M4		1 PC
6	FLAT WASHER 5/16" DIA.		6 PCS
7	SPRING WASHER 5/16" DIA.		6 PCS
8	BOLT 5/16"x 2"		6 PCS
9	WOOD SCREW #8 x 1 3/5" L		6 PCS
10	WOODEN DOWEL #8 x 30		8 PCS

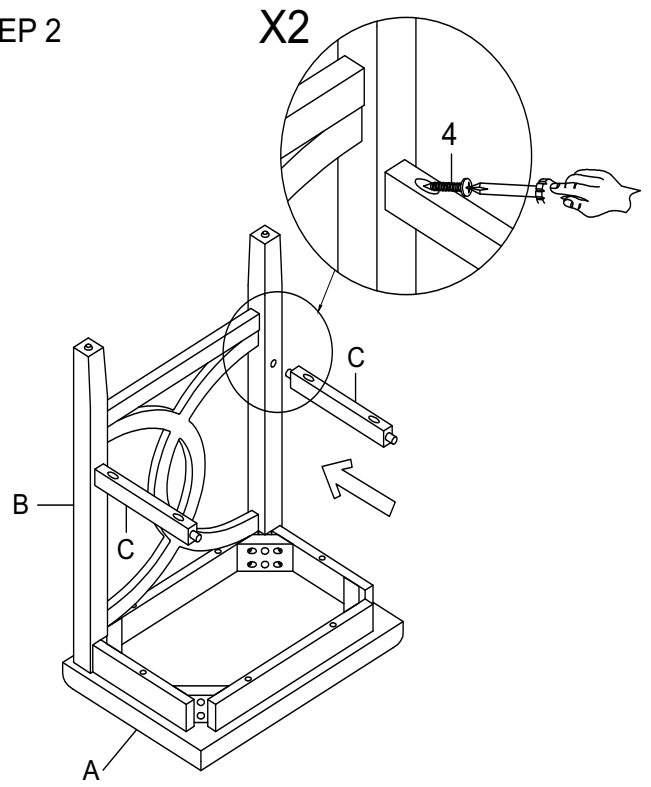
ASSEMBLY INSTRUCTION



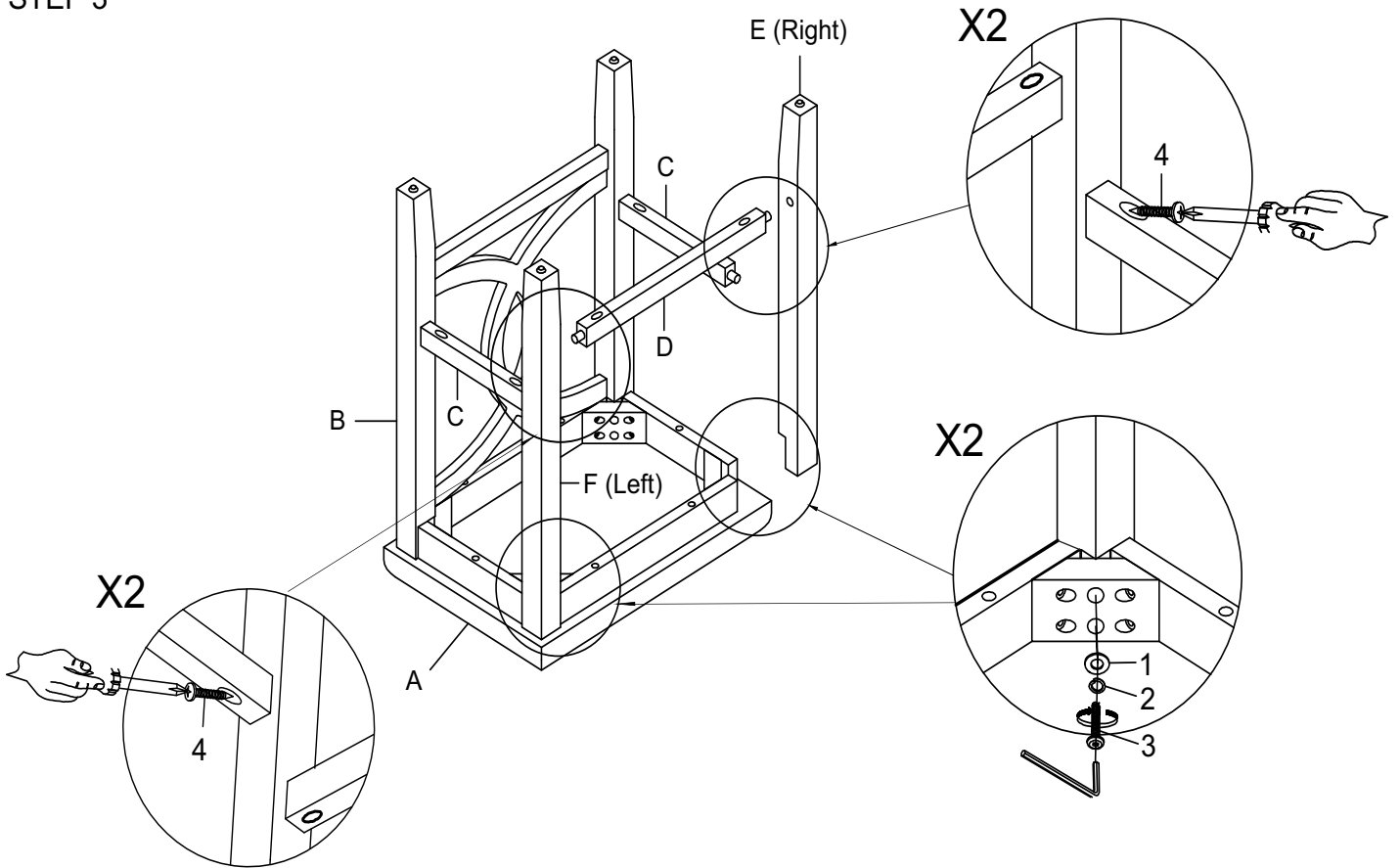
STEP 1



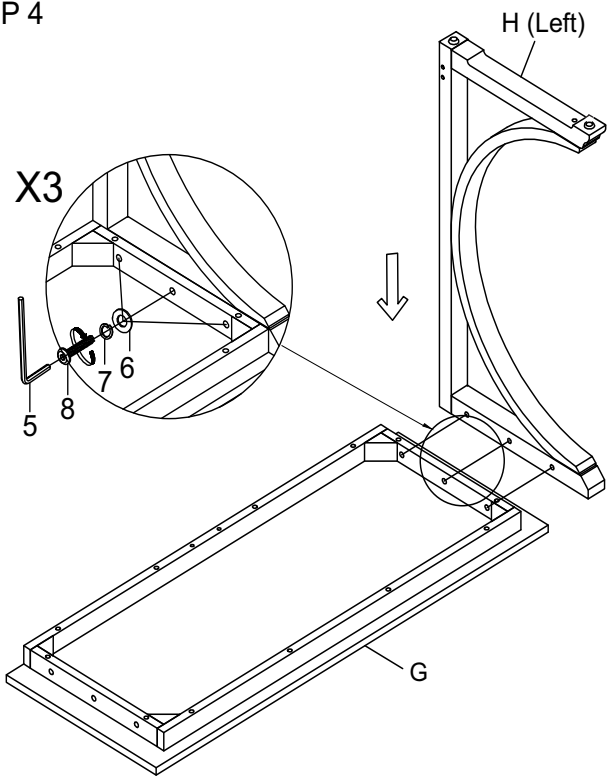
STEP 2



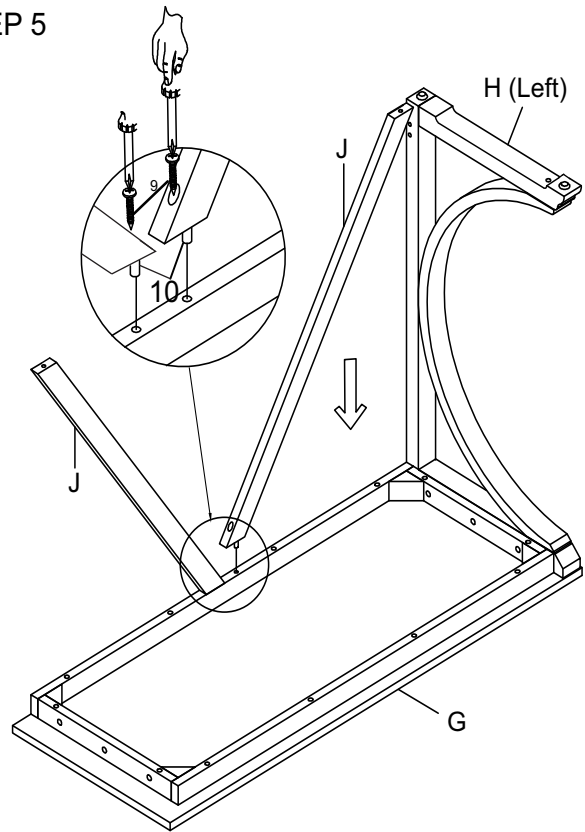
STEP 3



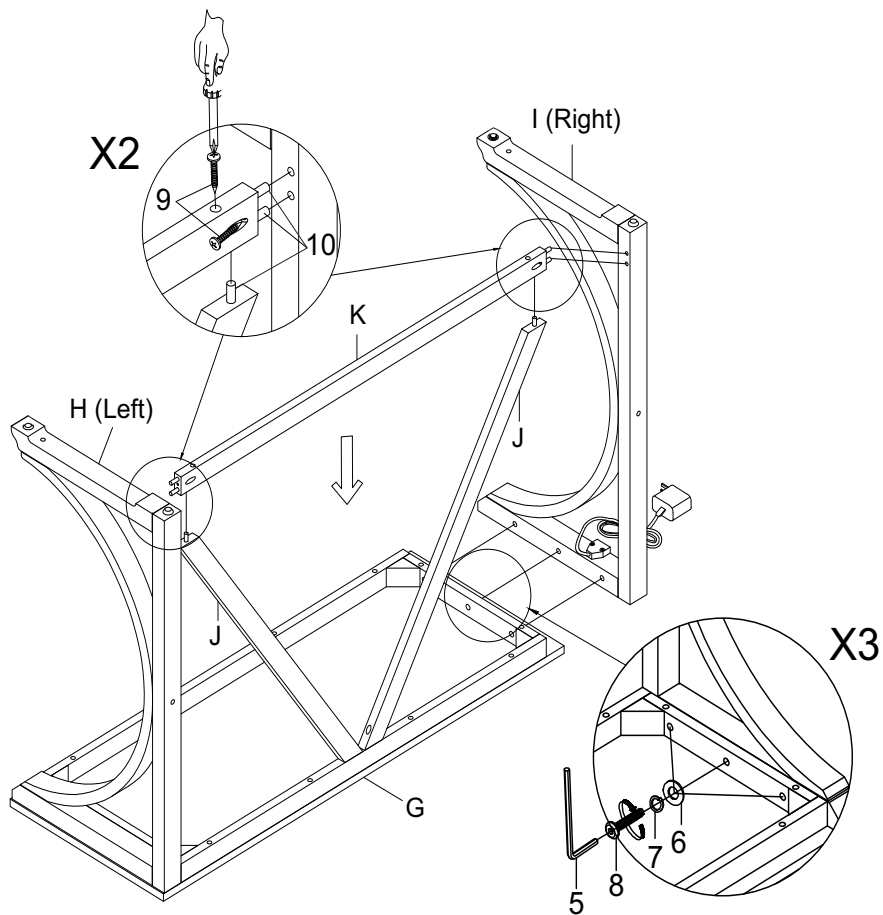
STEP 4



STEP 5



STEP 6



Finish

