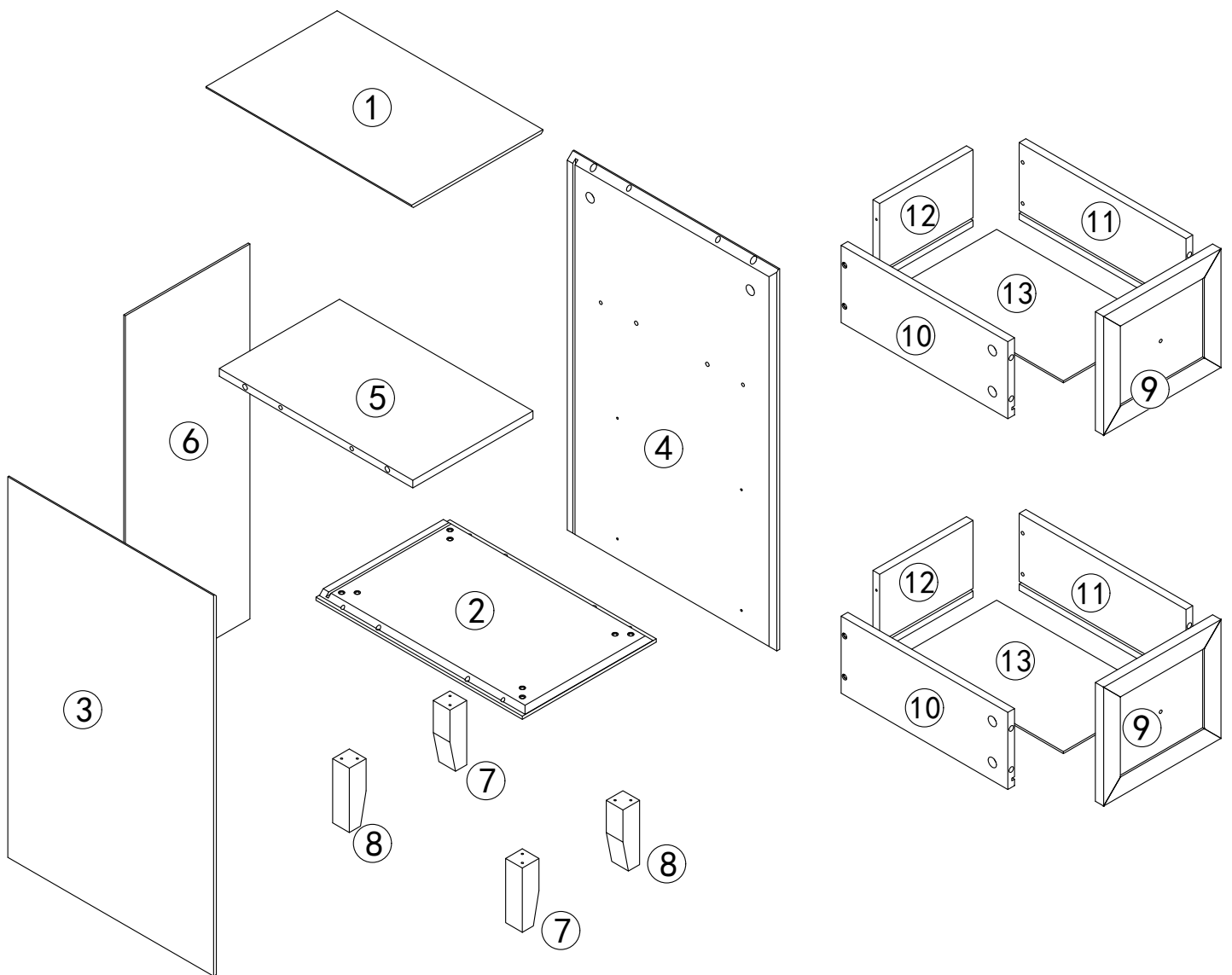
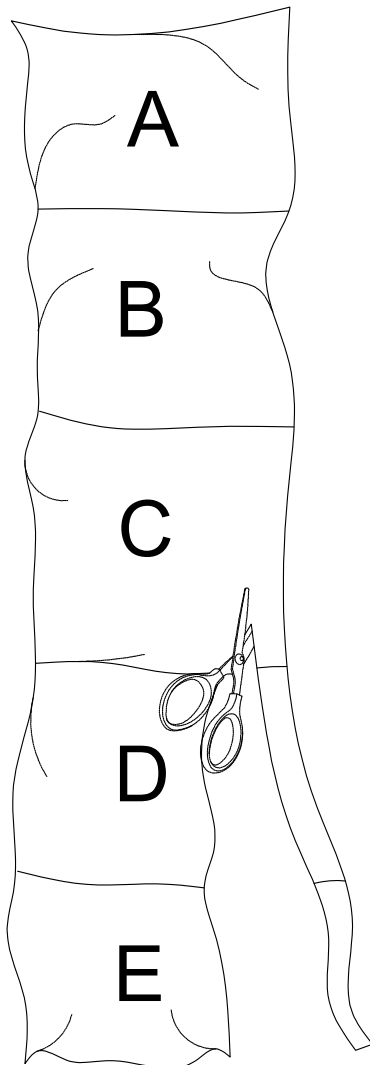
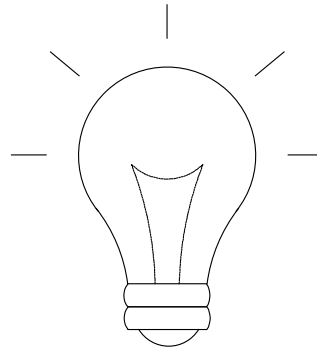


# ASSEMBLY INSTRUCTIONS




## **IMPORTANT:**


1. Do not tighten bolts / screws completely until all bolts / screws are lined up and inserted into holes
2. Do not over tighten screws and bolts to avoid stripping
3. Please use hand tools to assemble this product, you can also use power tools (please use power tools carefully)
4. In case of packaging damage during transportation, missing components, or the need for installation guidance, don't rush, feel free to reach out to our dedicated seller support team for professional assistance.




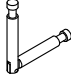
## **friendly reminder**

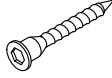
To avoid errors and confusion during the installation of accessories, use the type and quantity of hardware accessories according to the installation procedure described in the instructions. First, unroll the accessories bag and lay out the hardware accessories, cut holes in the side, and take out the hardware accessories

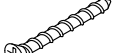
A	x12
	
M6*35mm	

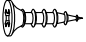
B	x20
	
∅ 15X9mm	

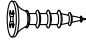
C	x12
	
∅ 6*30mm	


D	x4
	
6*84mm	

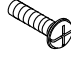
E	x12
	
∅ 5X40mm	


F	x8
	
∅ 4*35mm	


G	x16
	
∅ 3.5*12mm	

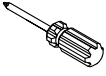
H	x6
	
∅ 3.5*14mm	

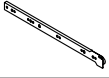
I	x2
	


J	x2
	
M4*18mm	


K	x6
	

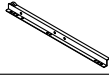
L	x1
	
3#	

M	x1
	

CL	x2
	
300mm	

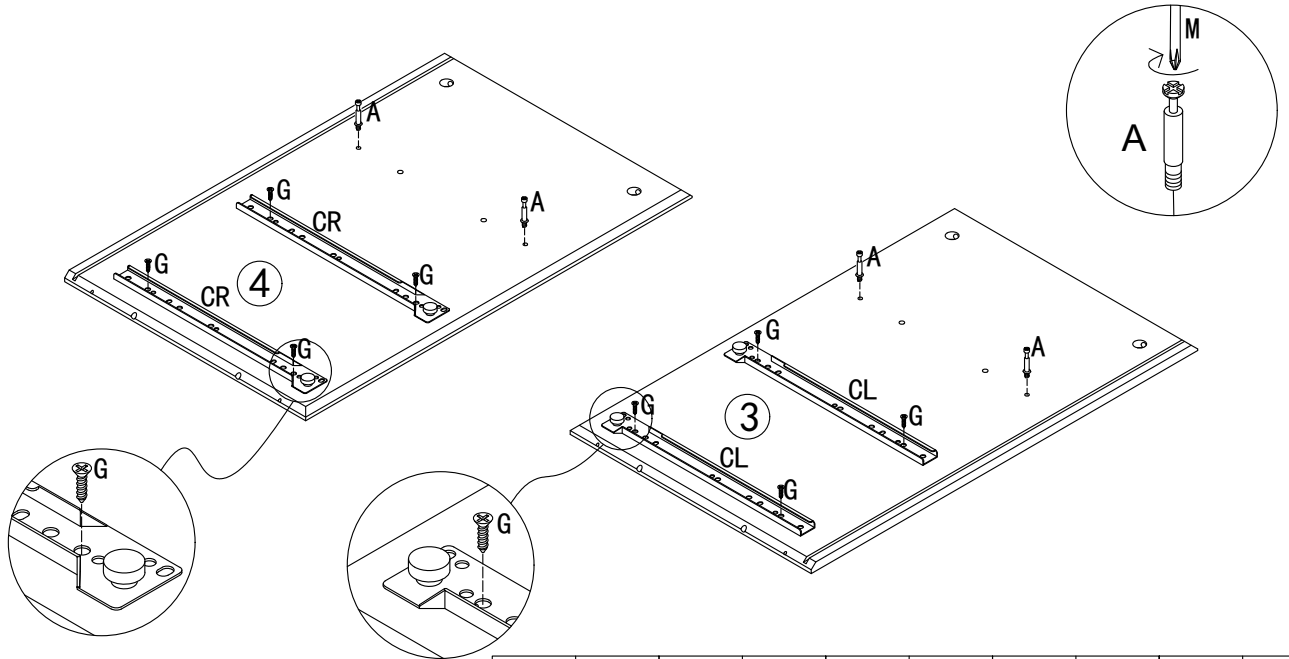
CR	x2
	
300mm	

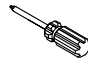



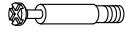
DL	x2
	
300mm	

DR	x2
	
300mm	

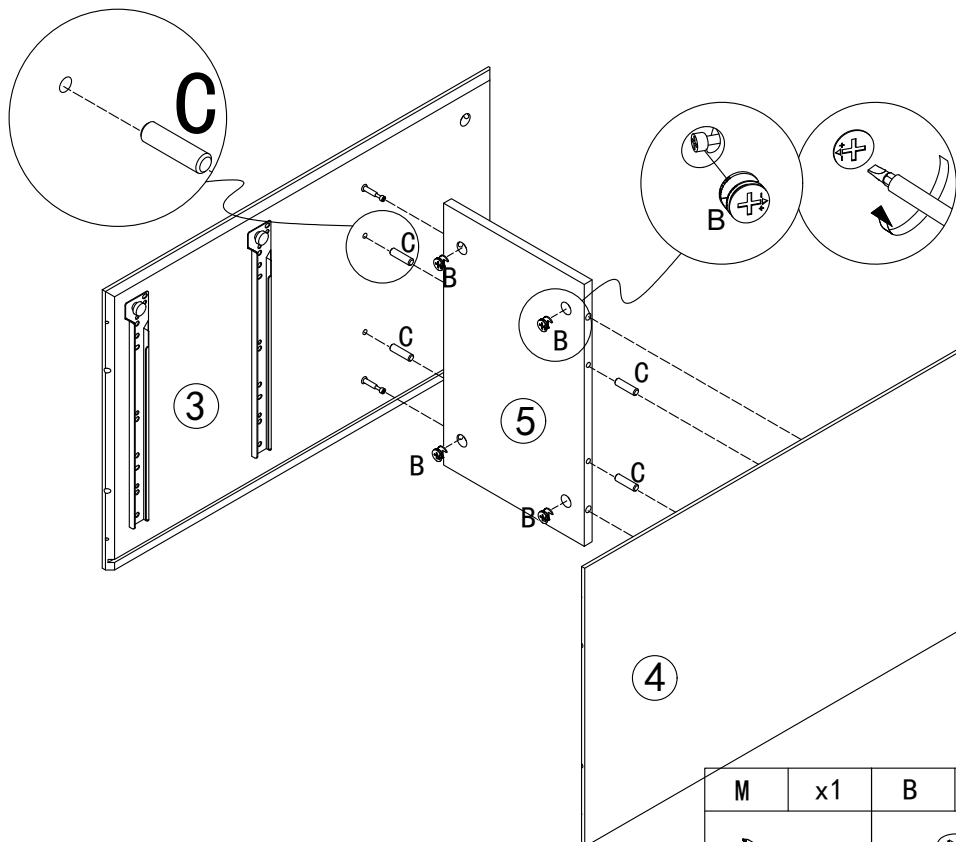
# INSTALLATION

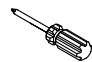

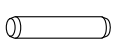
## STEP 01



M	x1	G	x8	CL	x2	CR	x2	A	x4
									
		∅ 3.5*12mm		300mm		300mm		M6*35mm	

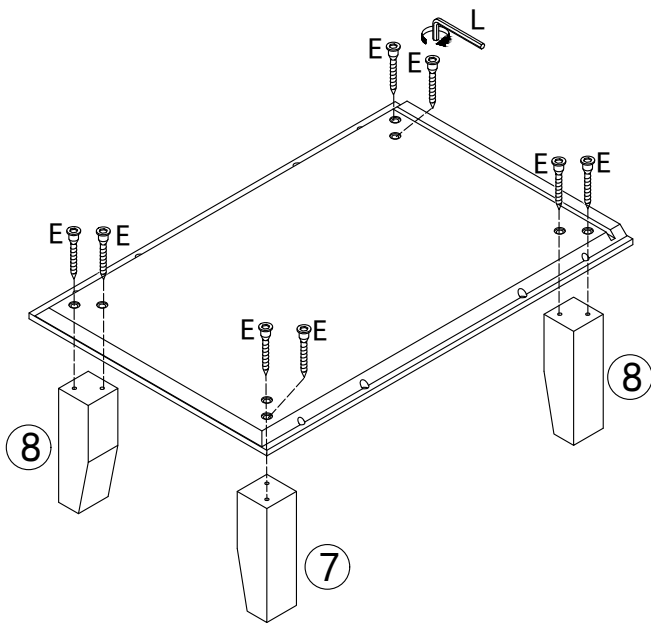
## STEP 02



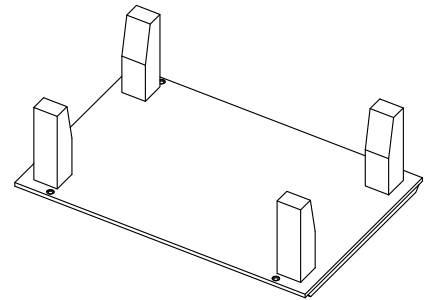
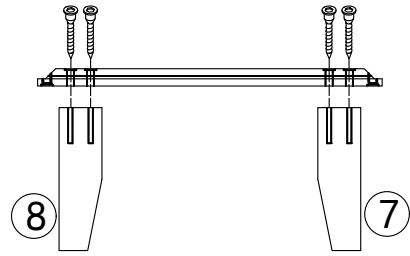
M	x1	B	x4	C	x4
					
		∅ 15X9mm		∅ 6*30mm	

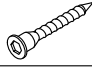

# INSTALLATION

## STEP 03

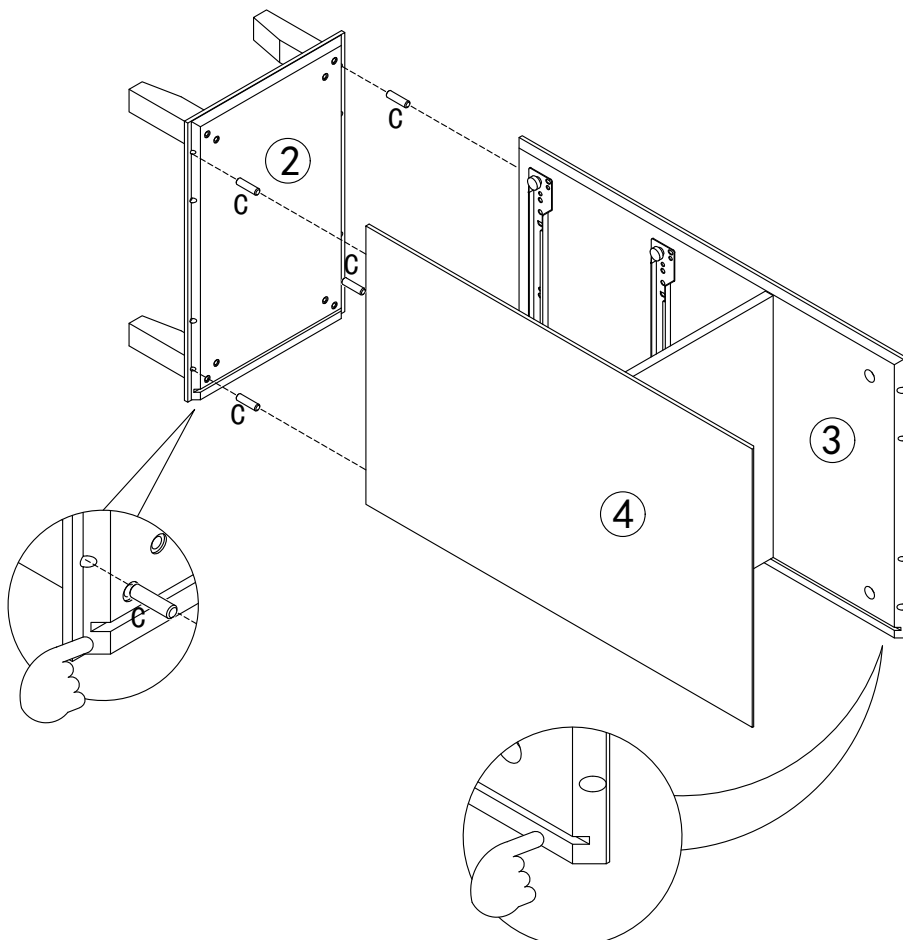


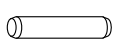
Align the screws with the holes first and then lock them.



E	x8	L	x1
			
ø5X40mm		3#	

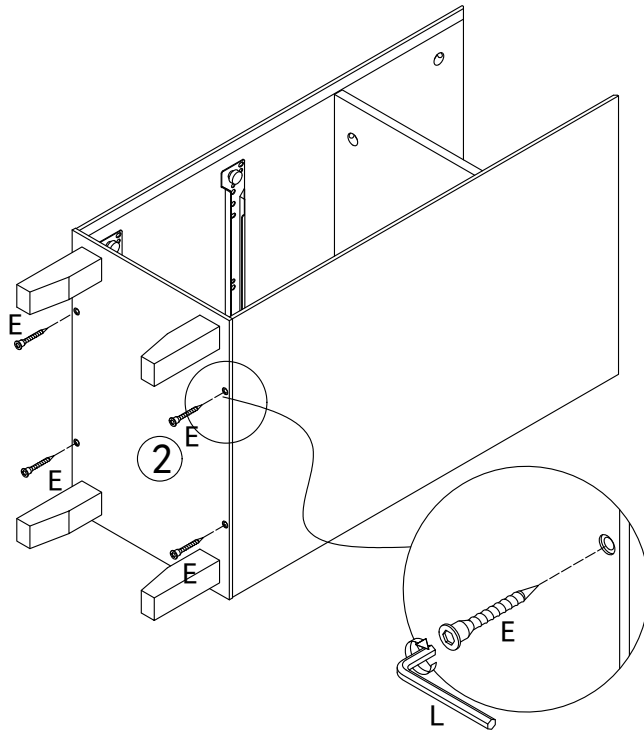
## STEP 04


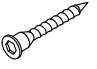


C	x4
	
ø6*30mm	

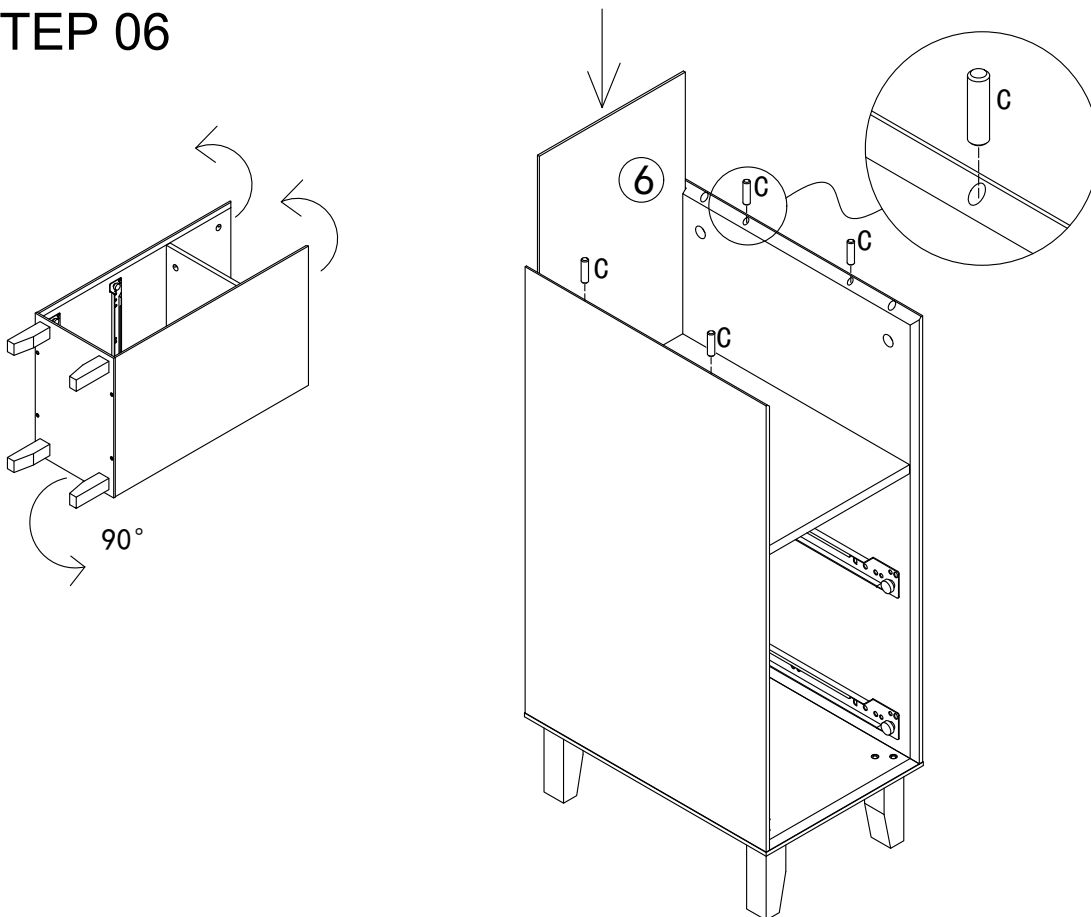
# INSTALLATION

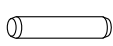
## STEP 05



L	x1	E	x4
			
3#		Ø5X40mm	

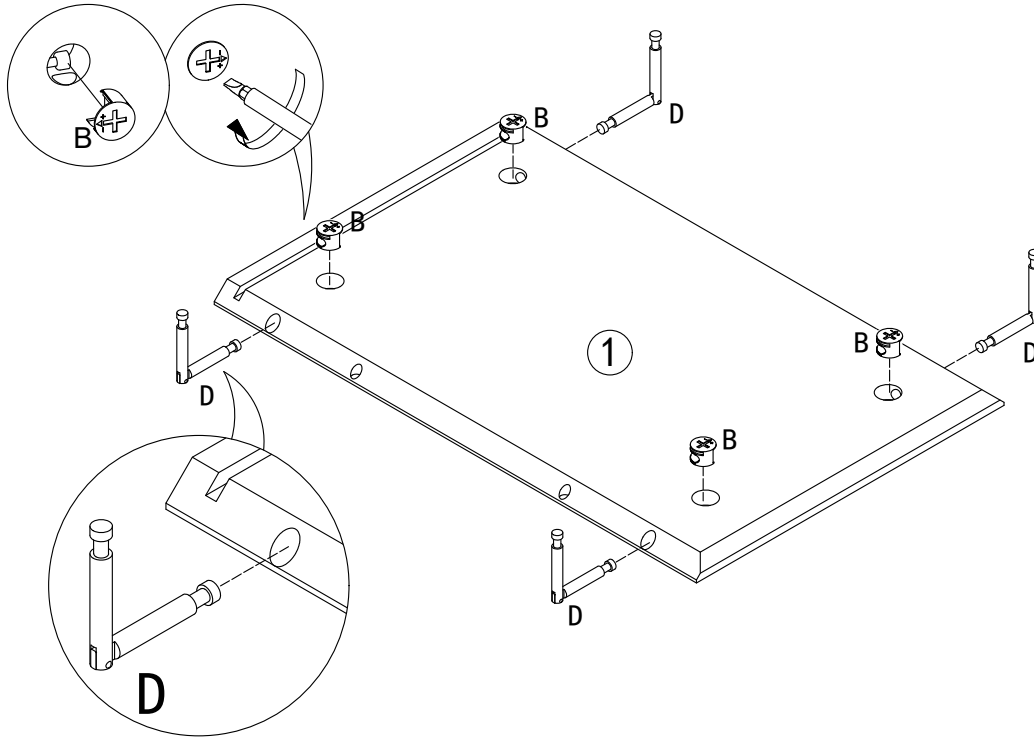
## STEP 06

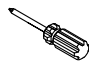




C	x4
	
Ø6*30mm	

# INSTALLATION

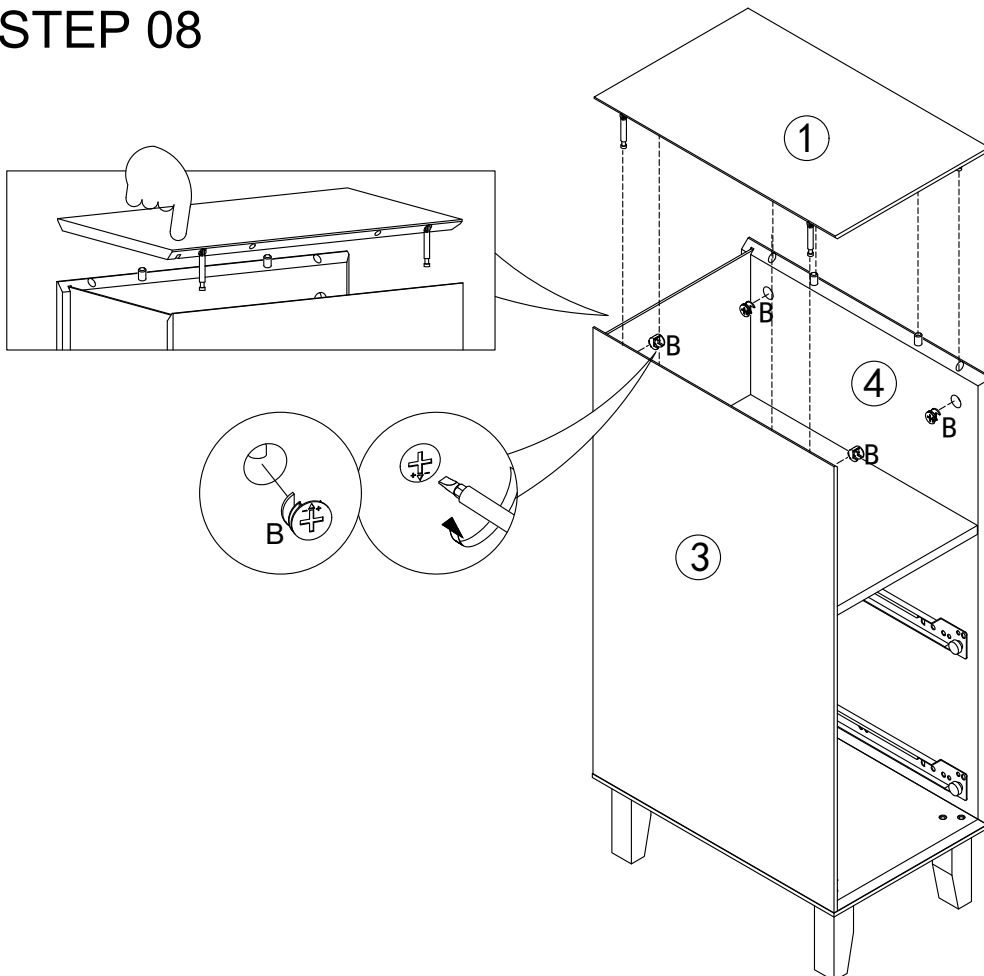
## STEP 07




M	x1
	

B	x4	D	x4
			
$\varnothing 15 \times 9 \text{mm}$		$6 \times 84 \text{mm}$	

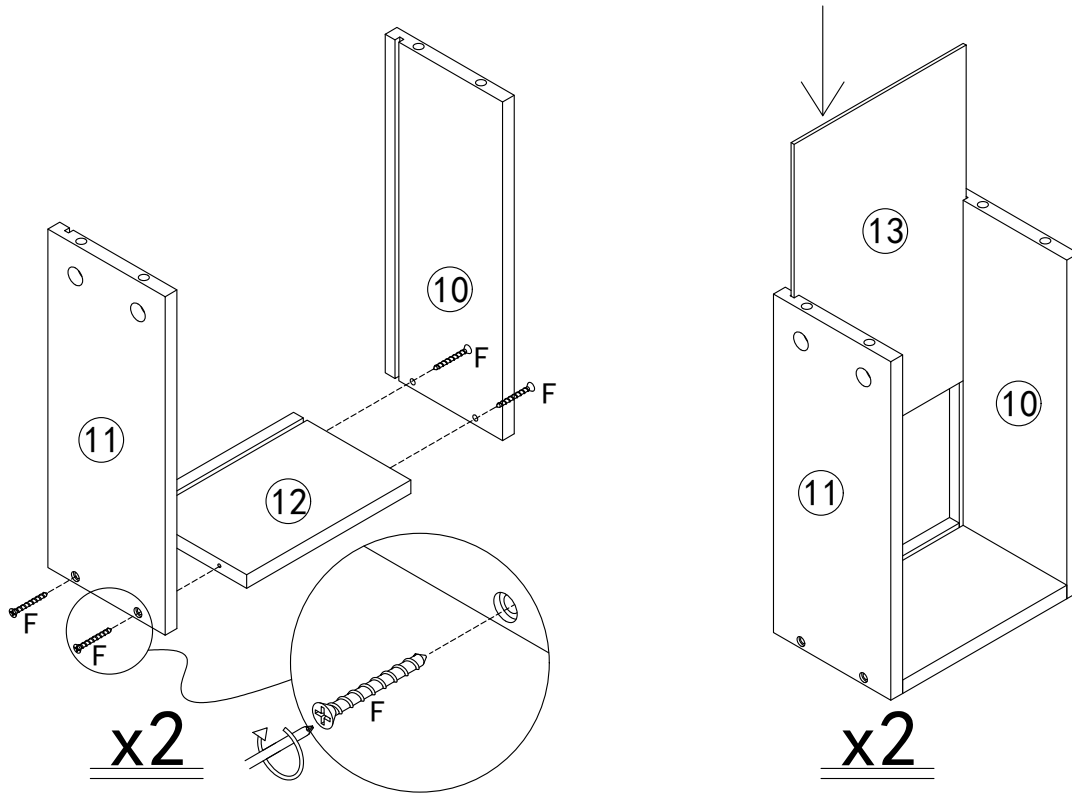
## STEP 08



B	x4
	
$\varnothing 15 \times 9 \text{mm}$	

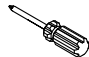
# INSTALLATION

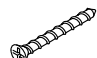
## STEP 09



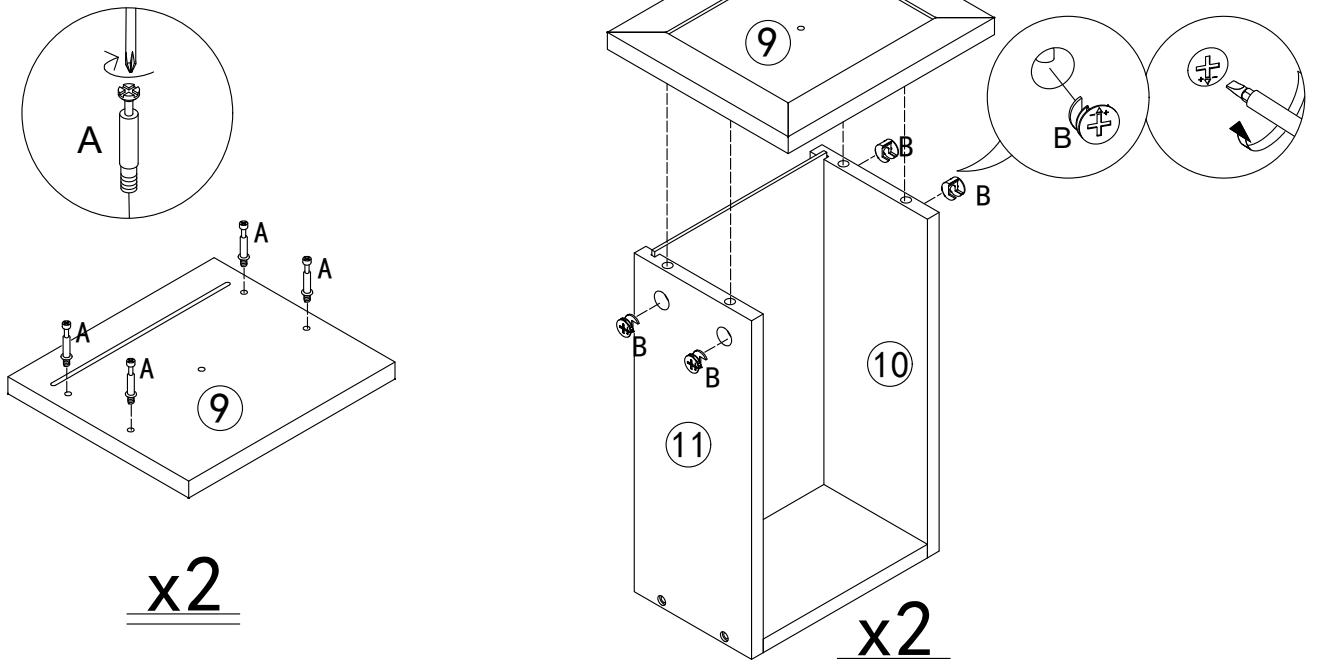
x2

x2

M	x1
	

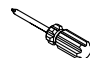

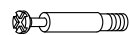
F	x8
	
$\phi 4*35\text{mm}$	

## STEP 10



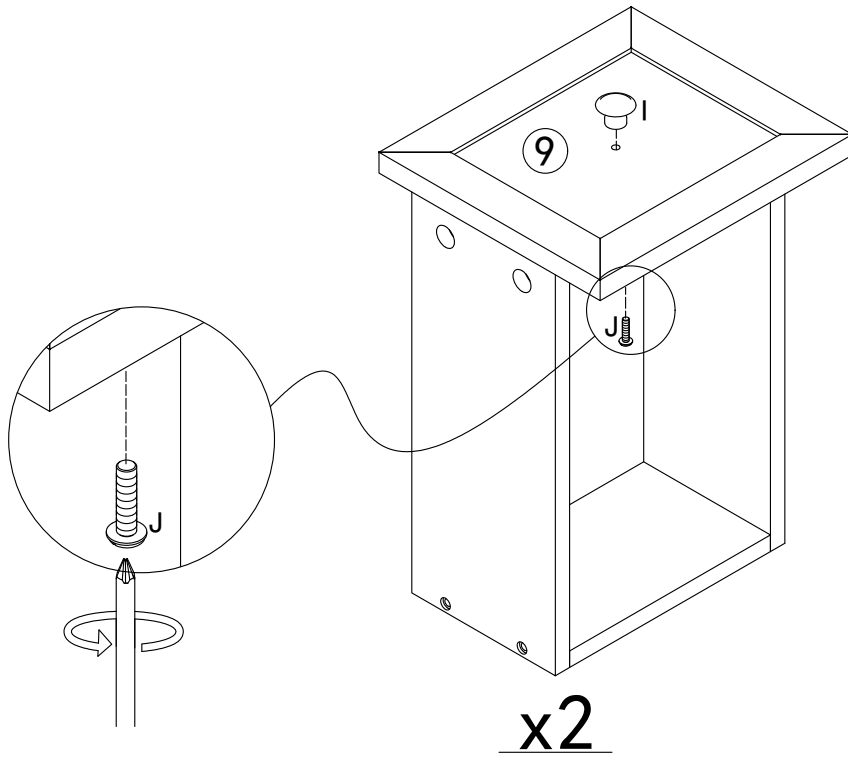
x2

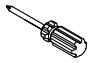


x2

M	x1	B	x8	A	x8
					
		$\phi 15X9\text{mm}$		M6*35mm	

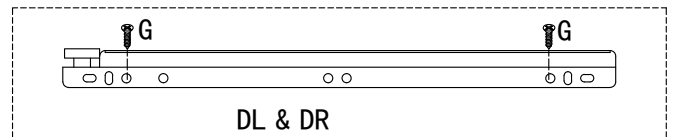
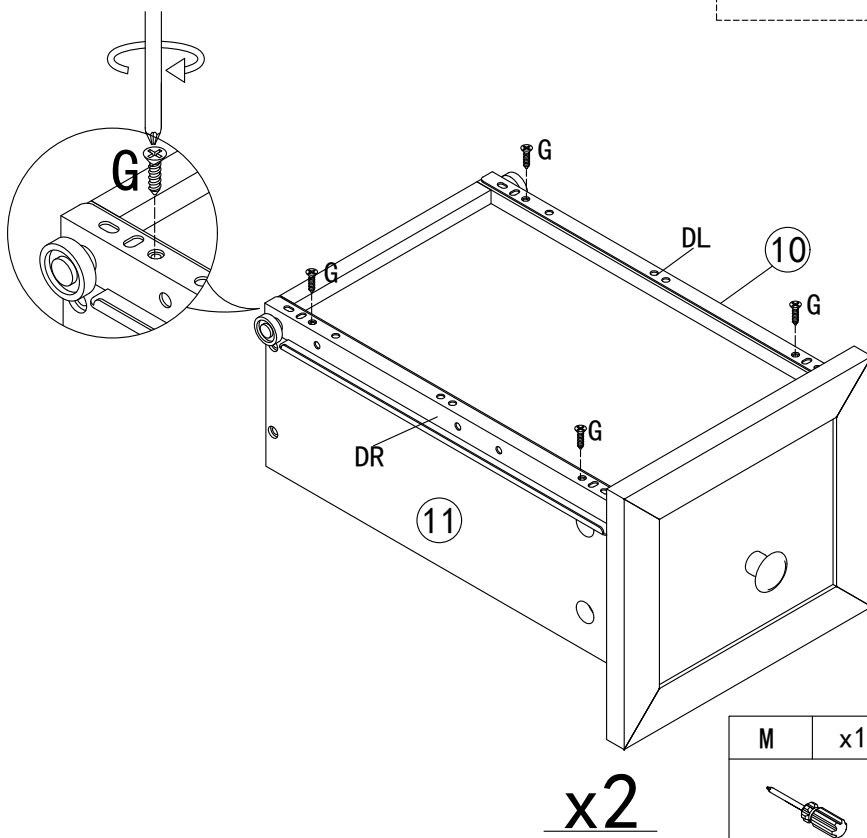
# INSTALLATION

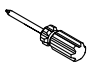



## STEP 11



M	x1	I	x2	J	x2
					
					M4*18mm

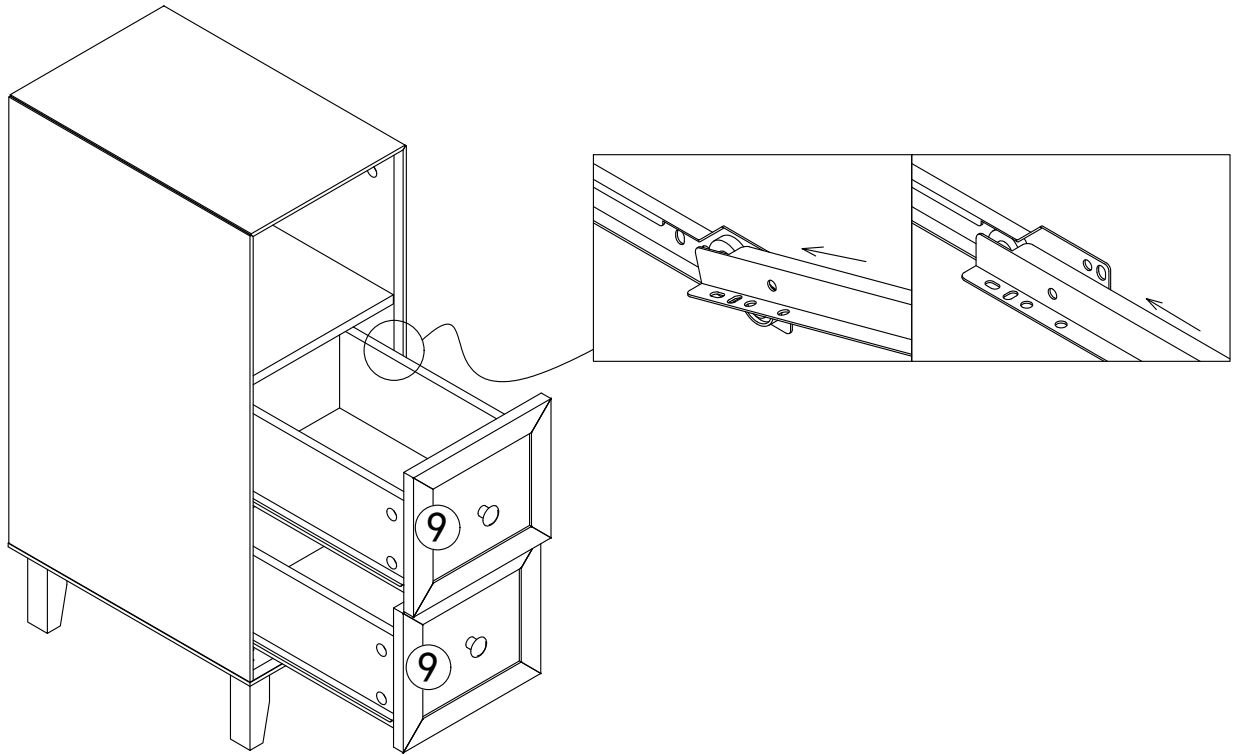
## STEP 12



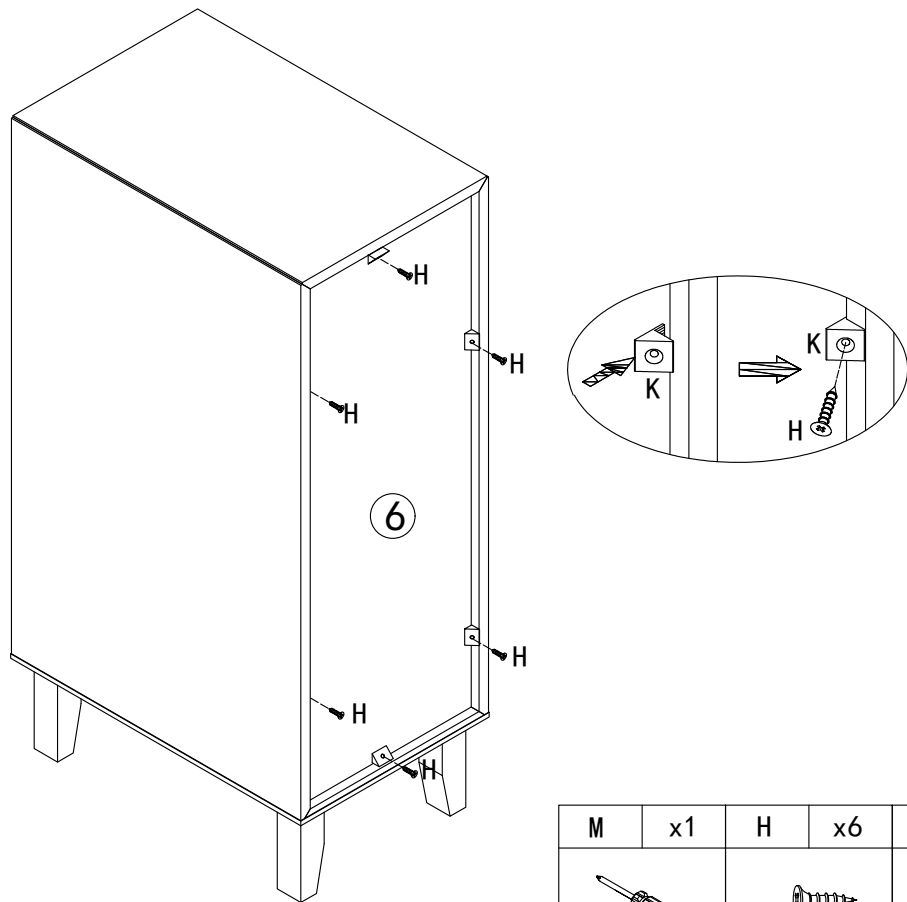
M	x1	G	x8	DL	x2	DR	x2
							
		∅ 3.5*12mm		300mm		300mm	

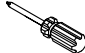
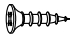

# INSTALLATION

## STEP 13



## STEP 14



M	x1	H	x6	K	x6
					
		$\varnothing 3.5 \times 14 \text{mm}$			