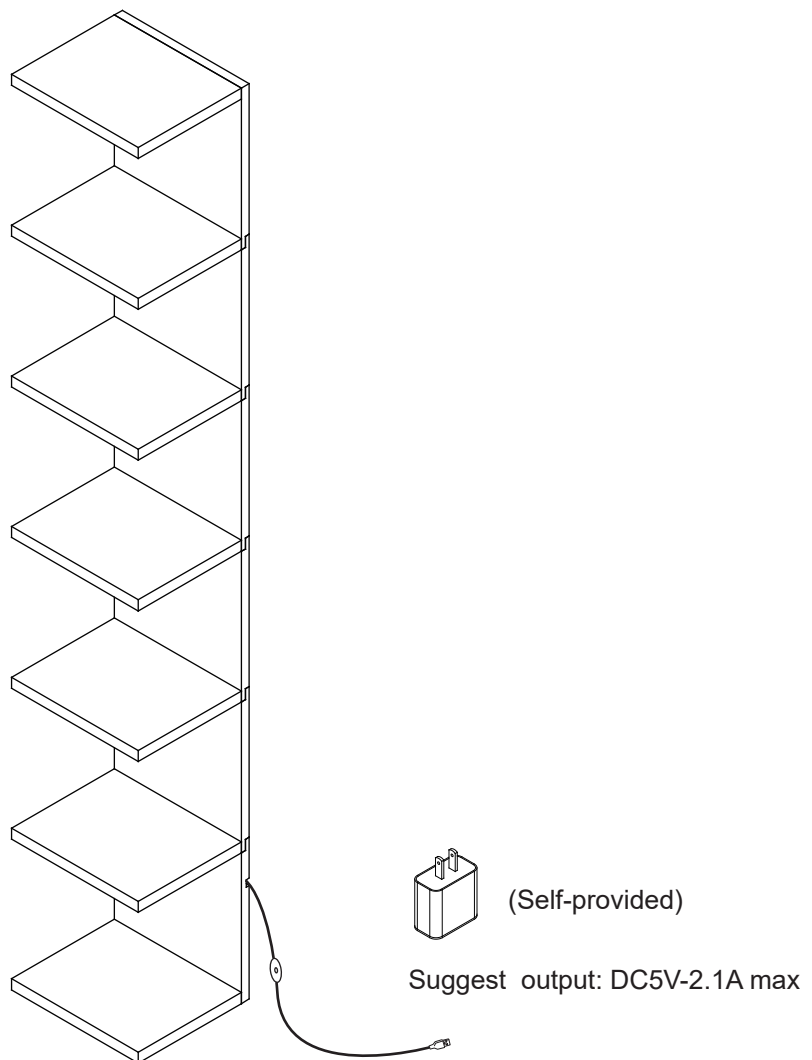


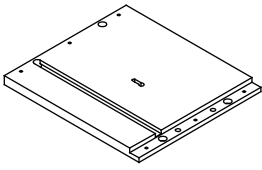
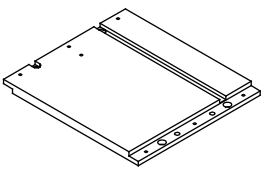
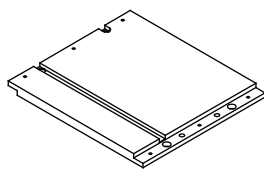
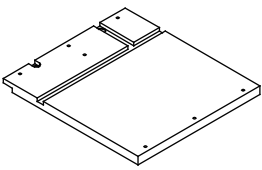
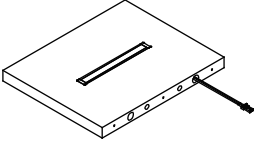
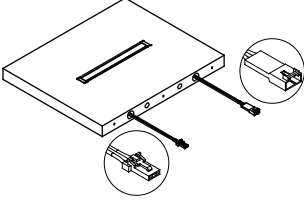
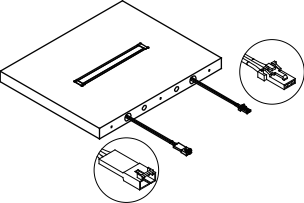
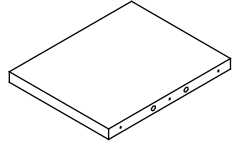

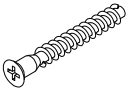
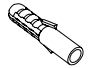


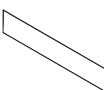


7-tier Floating Shelf With Lights



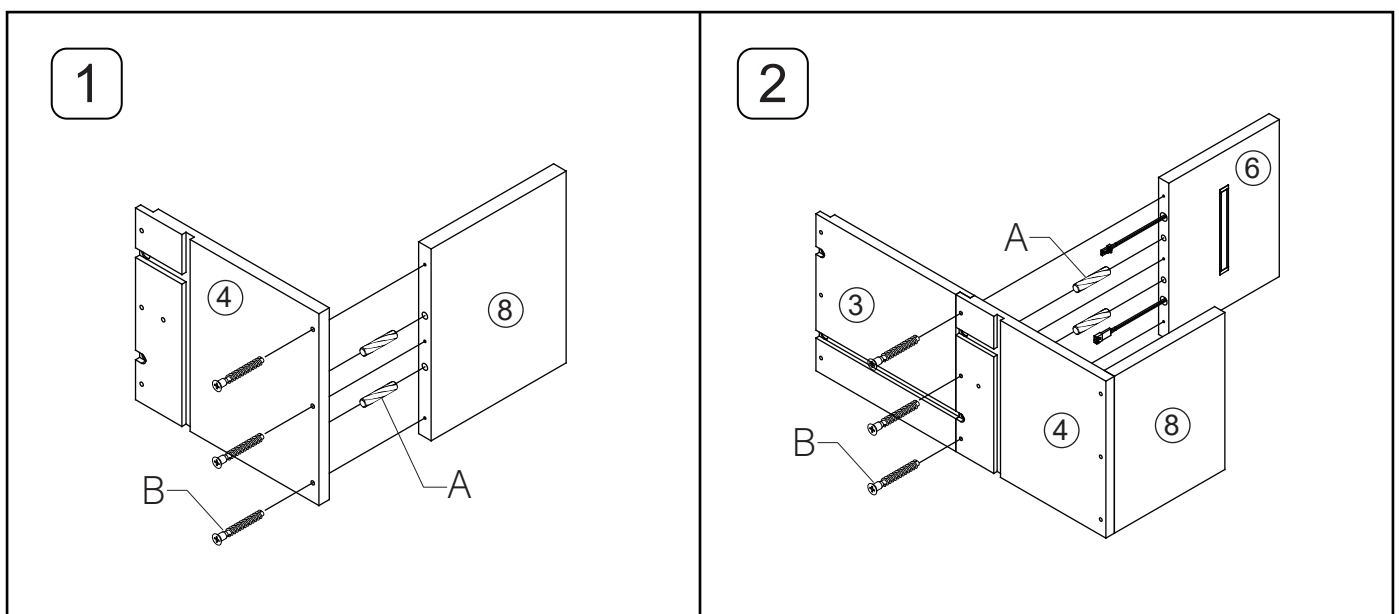
Note:

- Lay out all parts on clean surface to check all the accessories and numbers are correct.
- Please use the screws correctly, otherwise you might damage the panel.
- Please pay attention to safety while assembling, keep your child away from playing with component and sharp object.

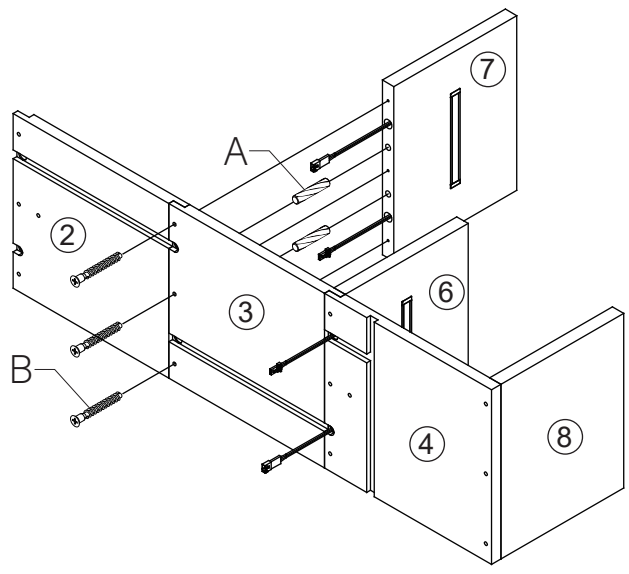
Accessories

①x1pc	②x2pcs	③x2pcs	④x1pc
			
⑤x1pc	⑥x3pcs	⑦x2pcs	⑧x1pc
			
Ⓐx14pcs	Ⓑx21pcs	Ⓒx4pcs	Ⓓx4pcs
 M8x50	 M5x50		 M4x40
Ⓔx1pc	Ⓕx6pcs	Ⓖx1pc	Ⓗx3pcs
 USB connector			

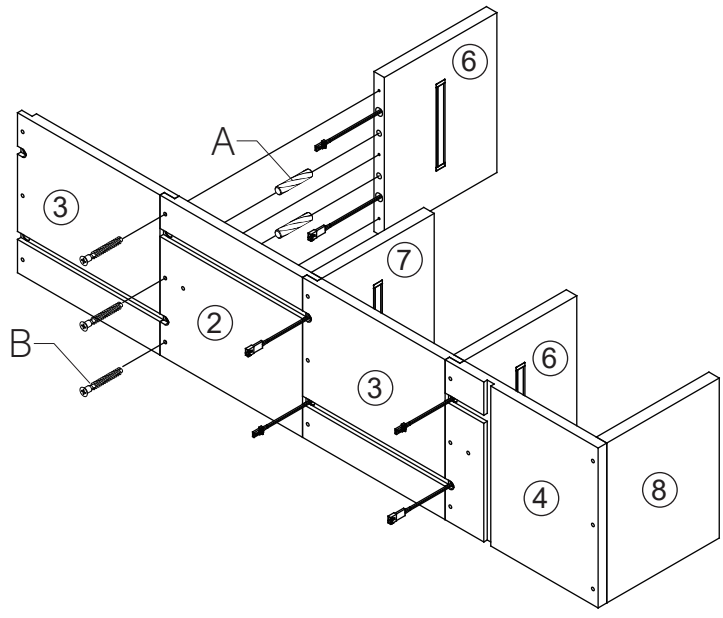
Steps



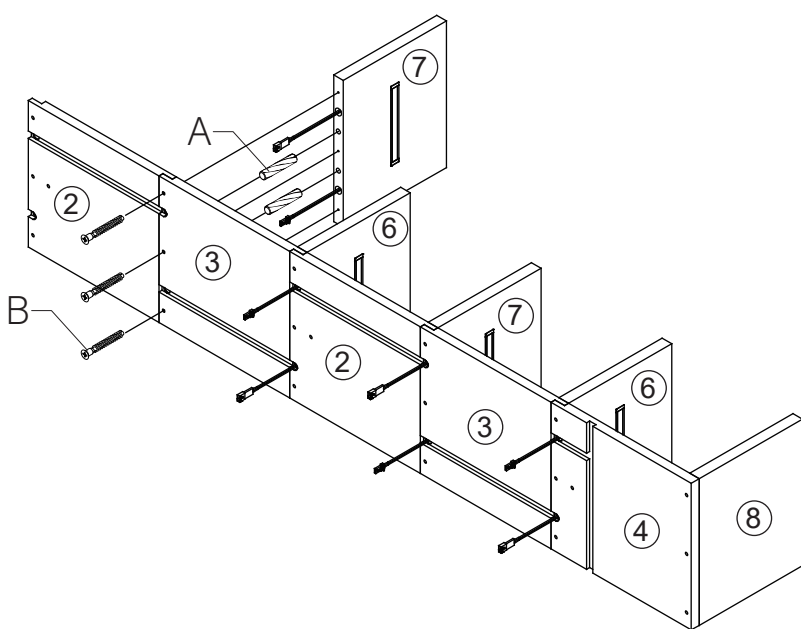
3



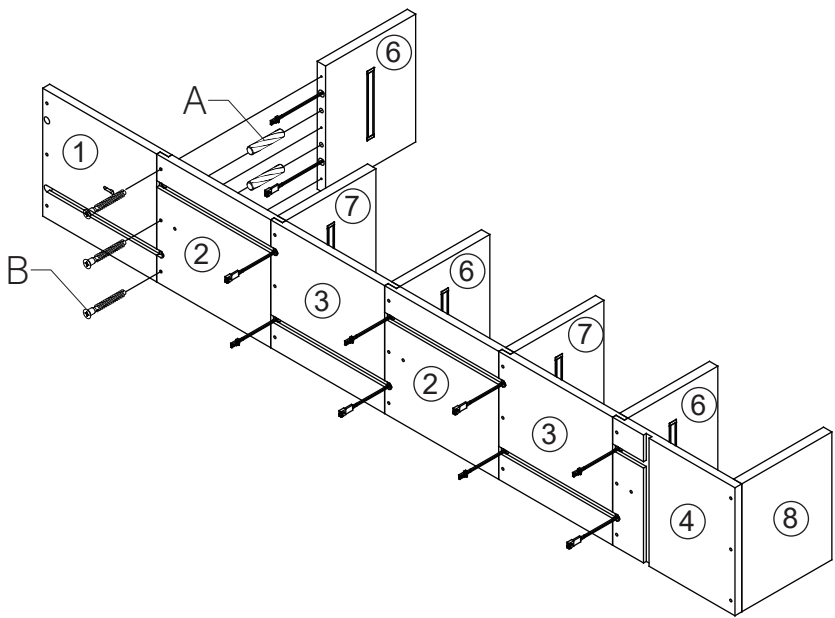
4



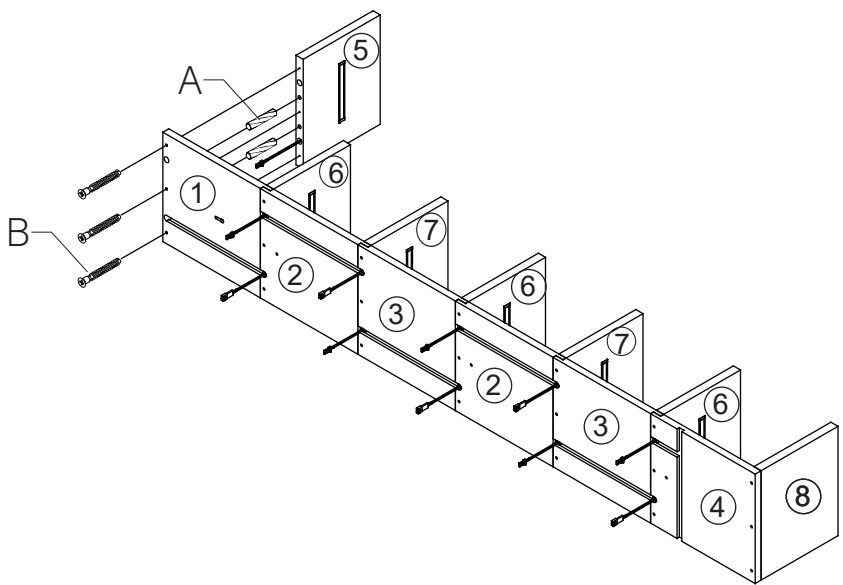
5



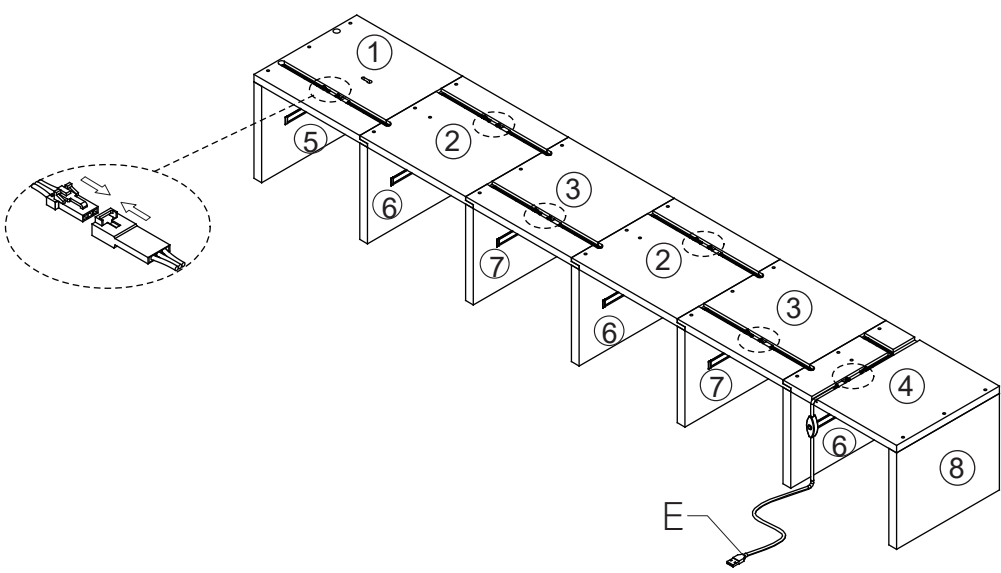
6



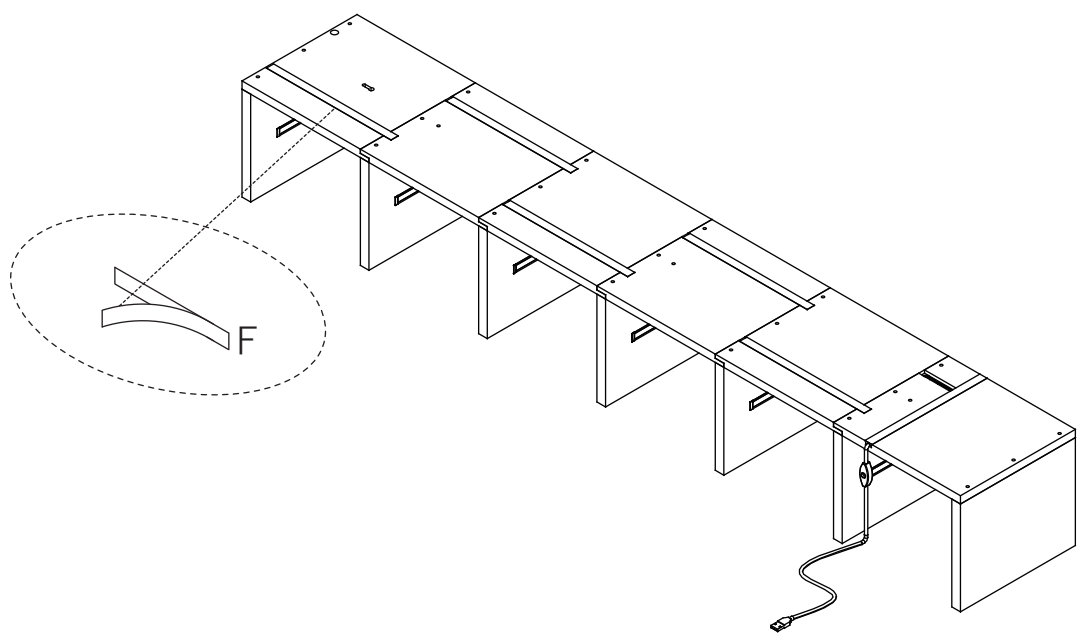
7



8

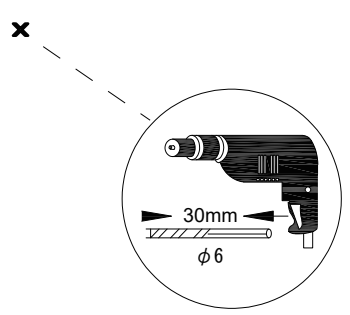


9



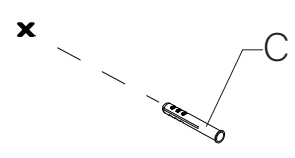
10

WALL



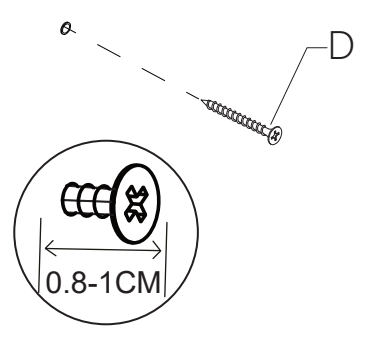
11

WALL



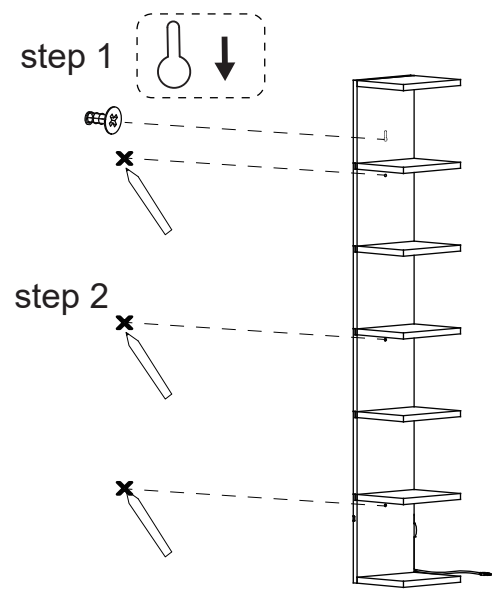
12

WALL



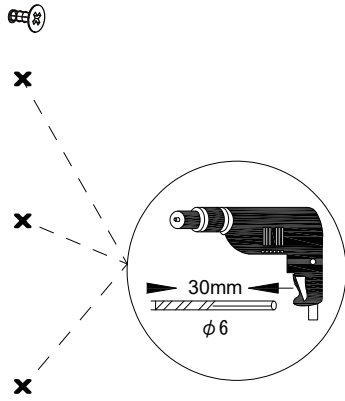
13

WALL



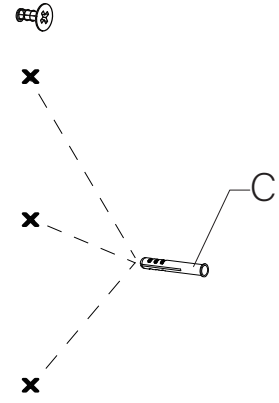
14

WALL



15

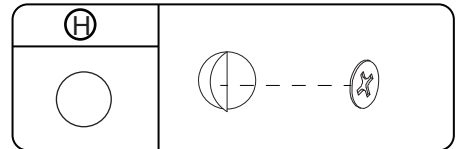
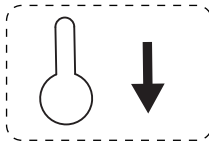
WALL



16

WALL

step 1



You can stick accessory (H) on the exposed screws.

step 2

step 2

step 2

D

